

[54] **LAWN TRACTOR**

[75] Inventor: **Kunisaburo Uemura**, Tokyo, Japan

[73] Assignee: **Yamaha Hatsudoki Kabushiki Kaisha**, Japan

[\*\*] Term: **14 Years**

[21] Appl. No.: **119,984**

[22] Filed: **Nov. 12, 1987**

[30] **Foreign Application Priority Data**

May 13, 1987 [JP] Japan ..... 62-18885

May 13, 1987 [JP] Japan ..... 62-18886

[52] U.S. Cl. .... **D15/23**

[58] Field of Search ..... D15/10, 15, 23, 25, D15/30-33; 56/13.3, 13.4, DIG. 22, 244, 249, 255-257, 264, 202, 206

[56] **References Cited**

**U.S. PATENT DOCUMENTS**

D. 248,397 7/1978 Cognata et al. .... D15/15

D. 249,042 8/1978 Hinklin ..... D15/23

D. 285,078 8/1986 Mizushima et al. .... D15/15

D. 292,406 10/1987 Kruse et al. .... D15/23

D. 293,683 1/1988 Mizushima et al. .... D15/15

**OTHER PUBLICATIONS**

Webb, Amjgarden Equipment Quarterly, Autumn 1981, cover page; Wessex, pp. 1, 26.

Bolens, Amjgarden Equipment Quarterly, Spring 1982, cover page; Wessex, pp. 1, 13.

Implement & Tractor, May 7, 1977, p. 55.

Snapper, Implement & Tractor, Mar. 1983, unnumbered page.

John Deere, Moteurs, Nov./Dec. 1981, p. 15.

John Deere, Moteurs, May/Jun. 1982, unnumbered page.

John Deere, Moteurs, Sep. 1983, unnumbered page.

*Primary Examiner*—A. Hugo Word

*Assistant Examiner*—Ruth McInroy

*Attorney, Agent, or Firm*—Ostrolenk, Faber, Gerb & Soffen

[57] **CLAIM**

The ornamental design for a lawn tractor, as shown.

**DESCRIPTION**

FIG. 1 is a top, front and right side perspective view of a lawn tractor showing my new design;

FIG. 2 is a top, rear and left side perspective view thereof;

FIG. 3 is a right side elevational view thereof;

FIG. 4 is a left side elevational view thereof;

FIG. 5 is a top plan view thereof;

FIG. 6 is a rear elevational view thereof;

FIG. 7 is a front elevational view thereof;

FIG. 8 is a top, front and right side perspective view of the tractor;

FIG. 9 is a top, rear and left side perspective view thereof;

FIG. 10 is a right side elevational view thereof;

FIG. 11 is a left side elevational view thereof;

FIG. 12 is a top plan view thereof;

FIG. 13 is a front elevational view thereof; and

FIG. 14 is a rear elevational view thereof.

The omission of the collection container and chute in FIGS. 8-14 is for clarity of illustration.

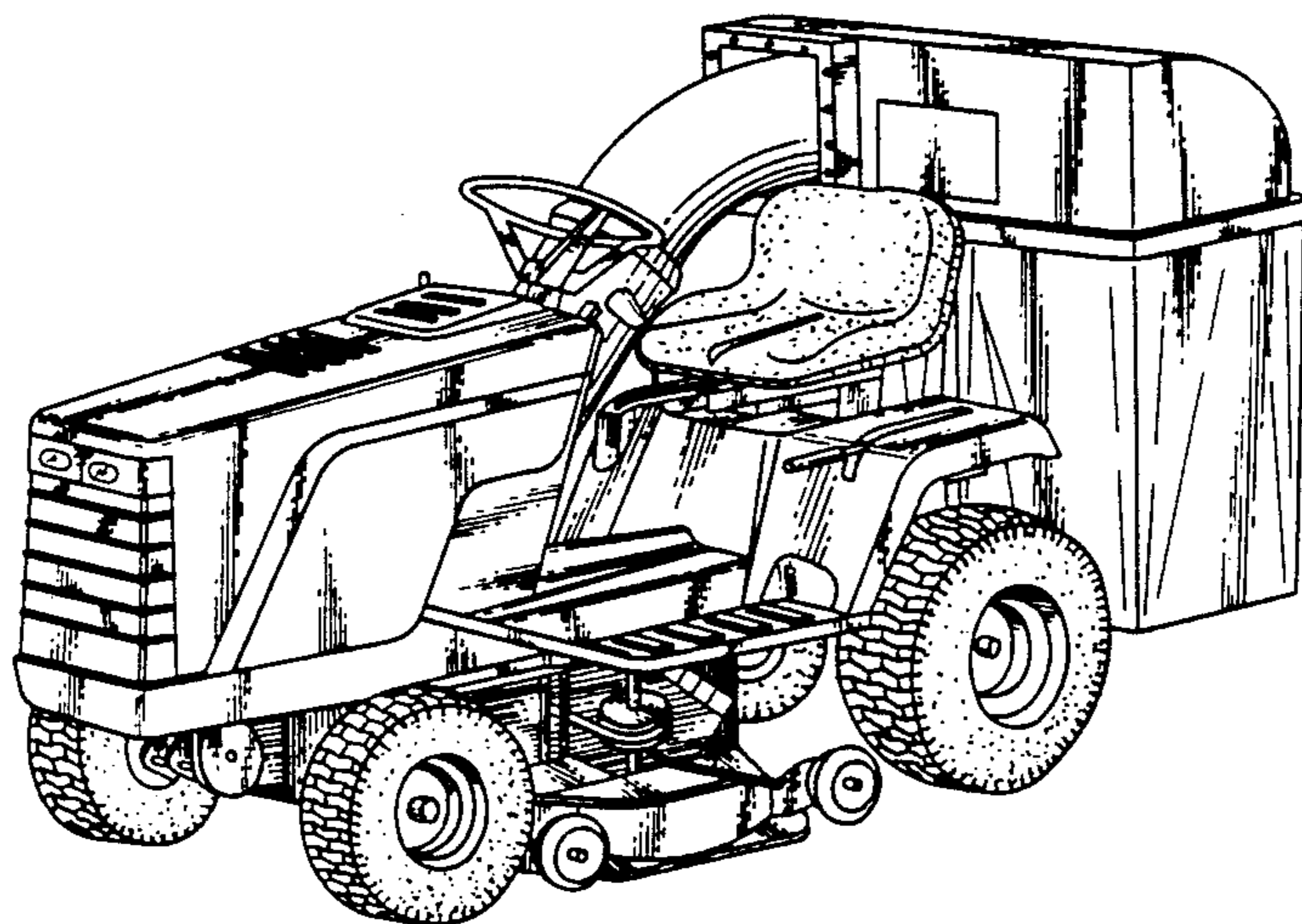


FIG. 1

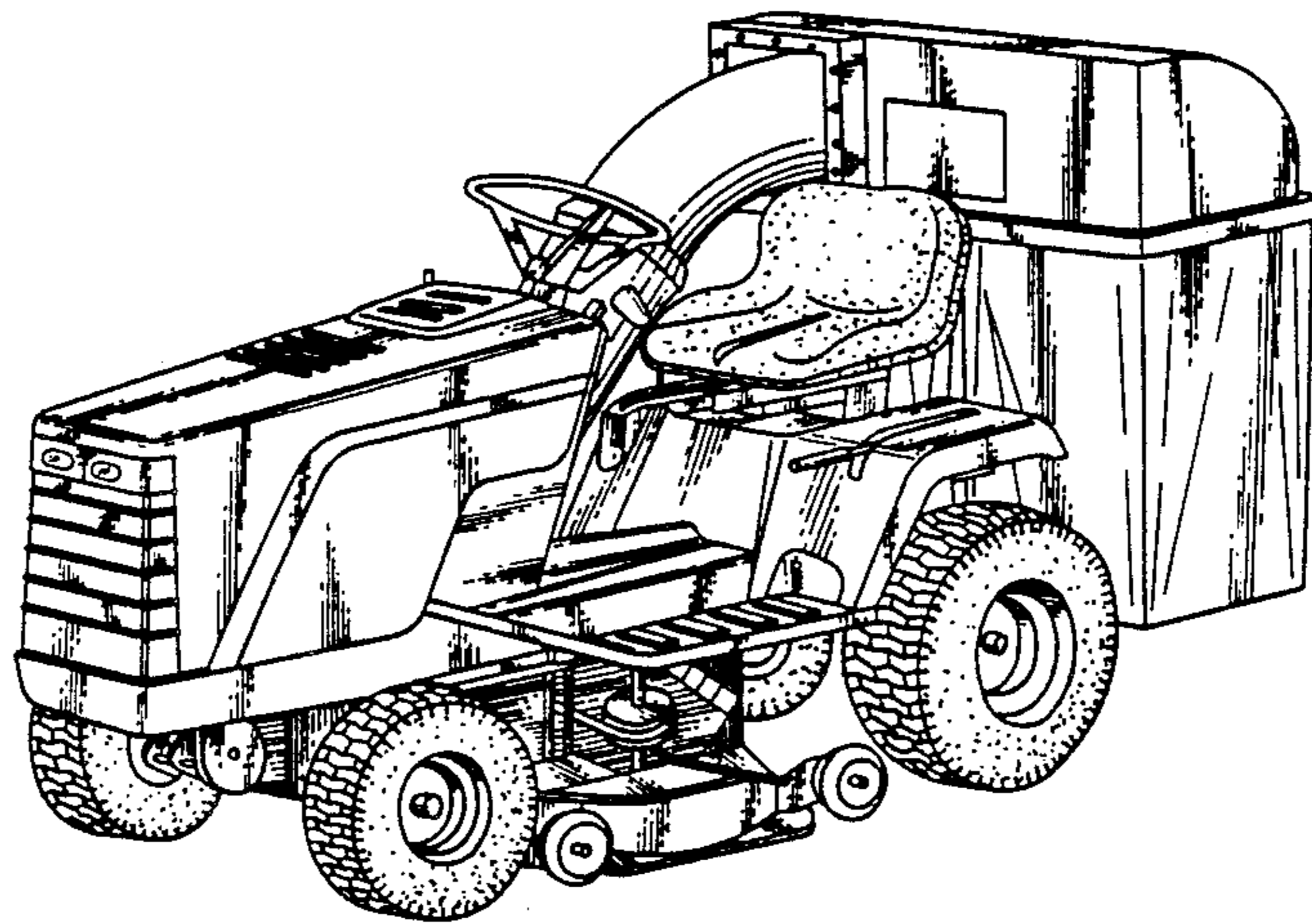


FIG. 2

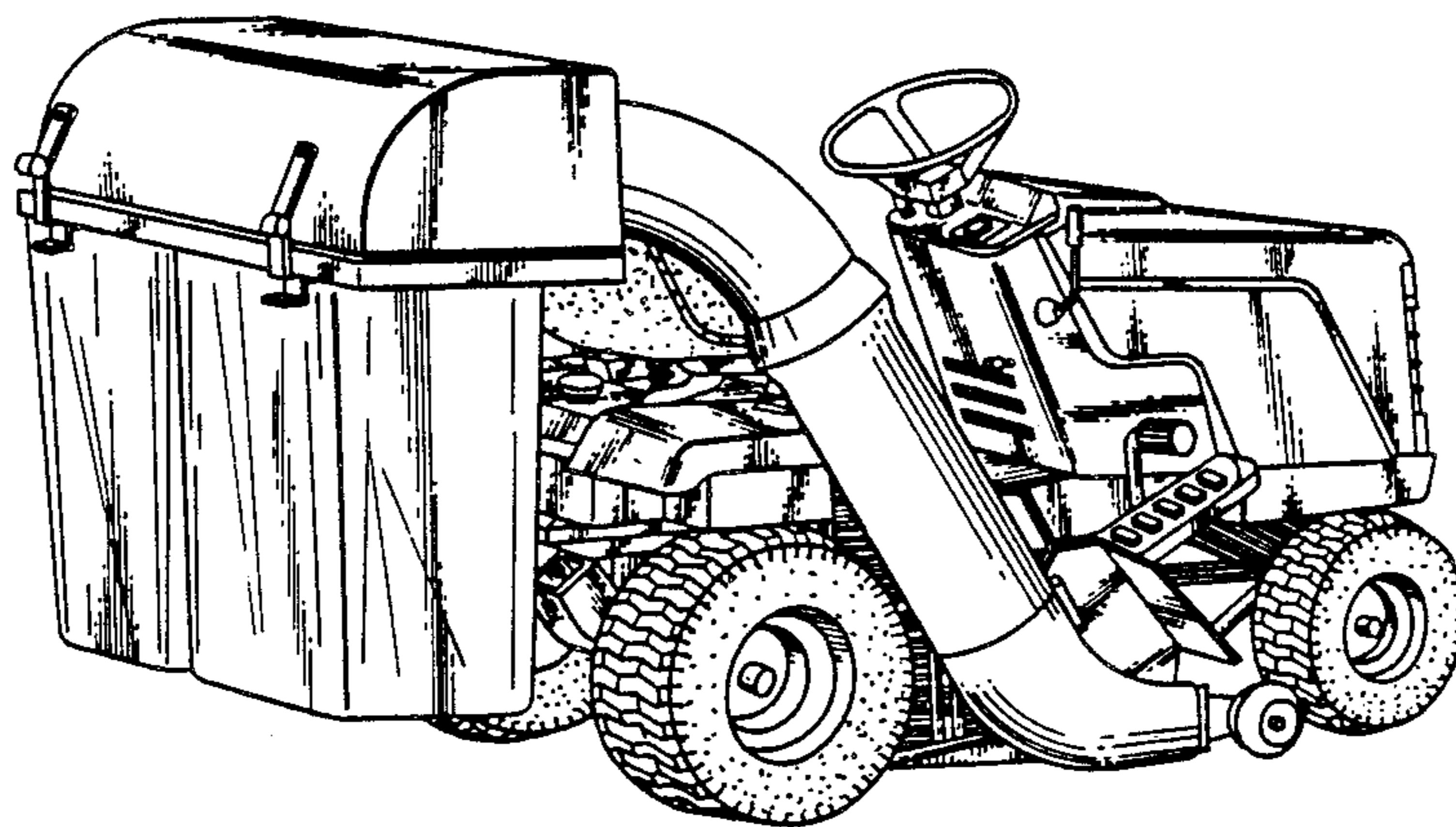


FIG.3

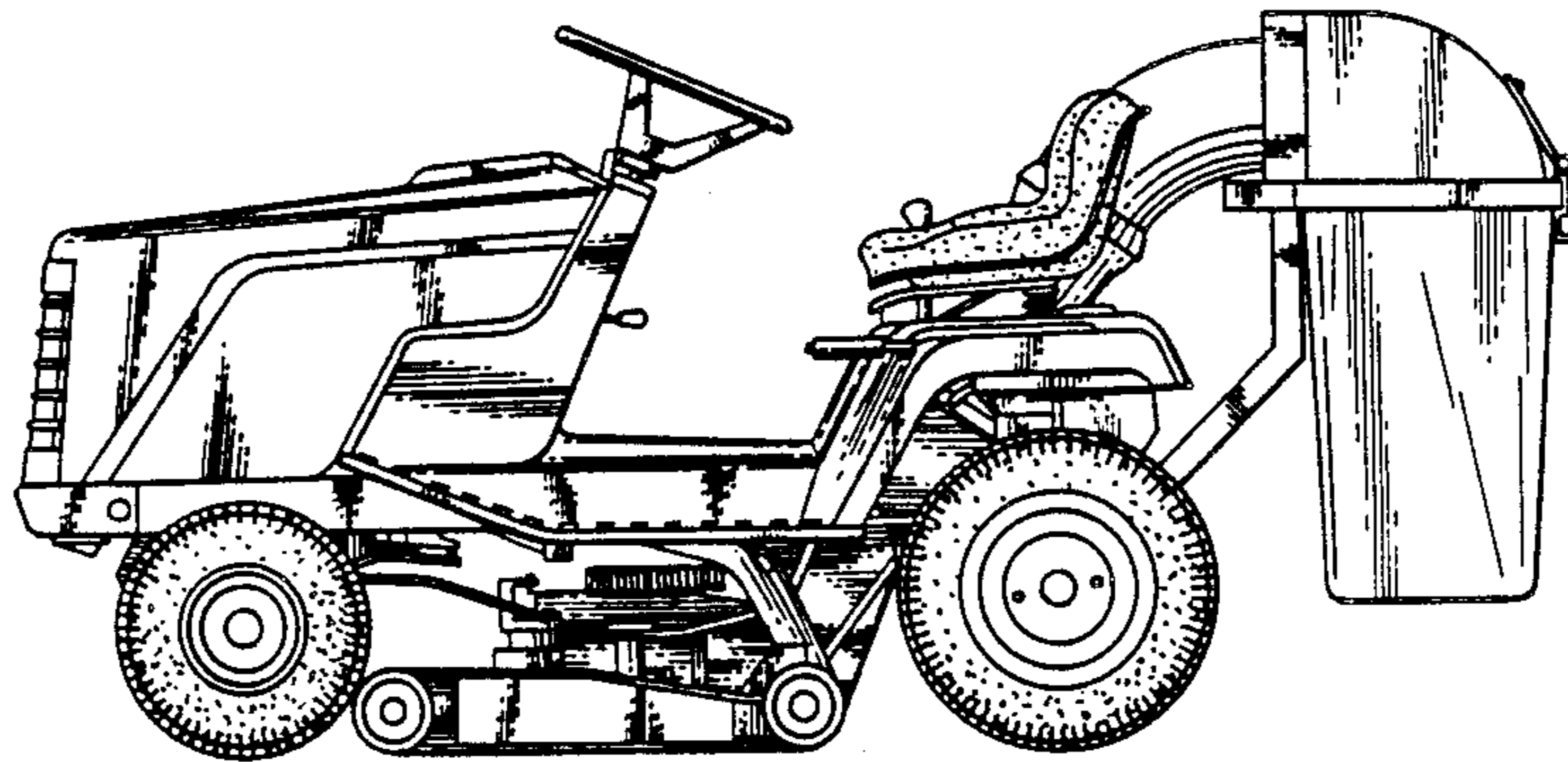


FIG.4

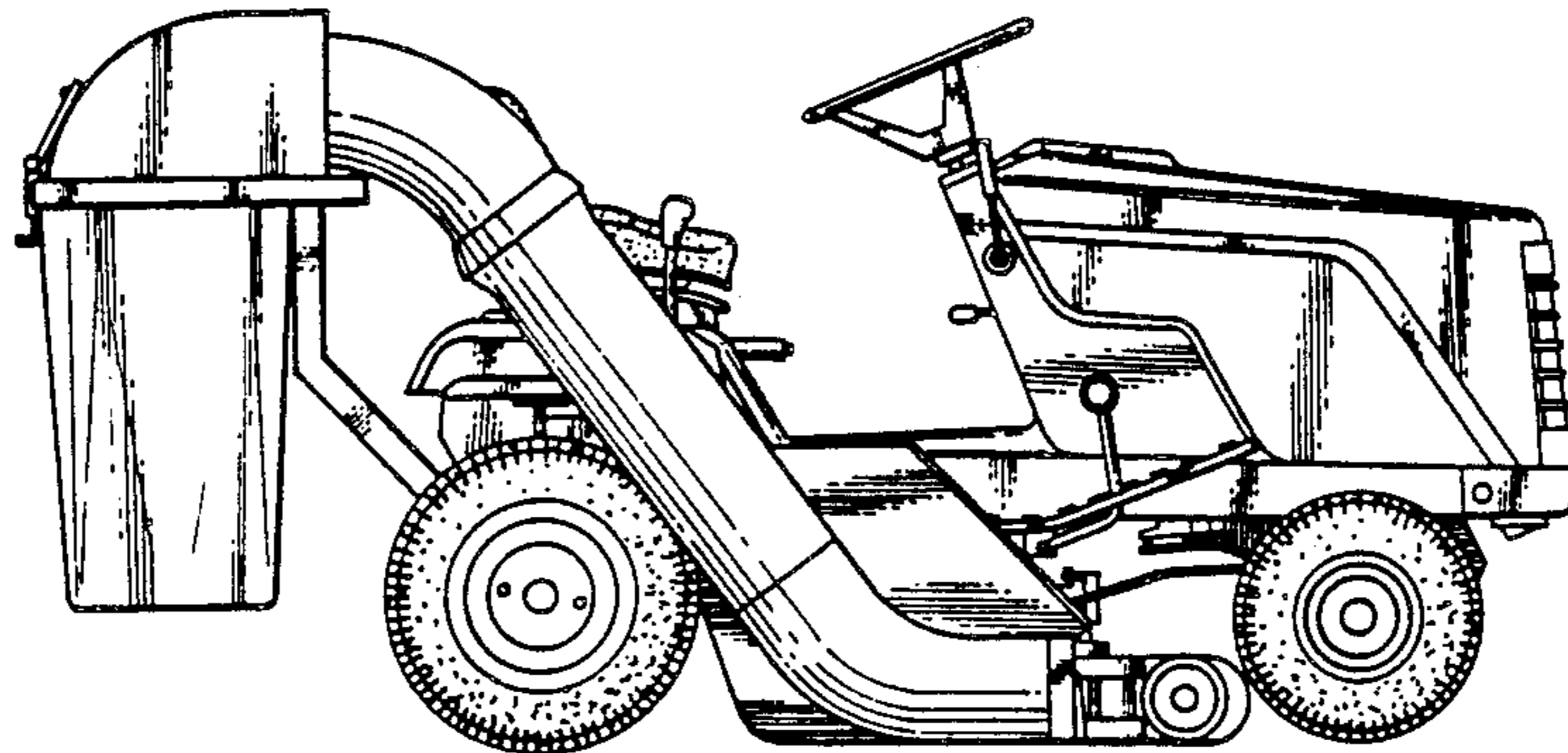




FIG. 5

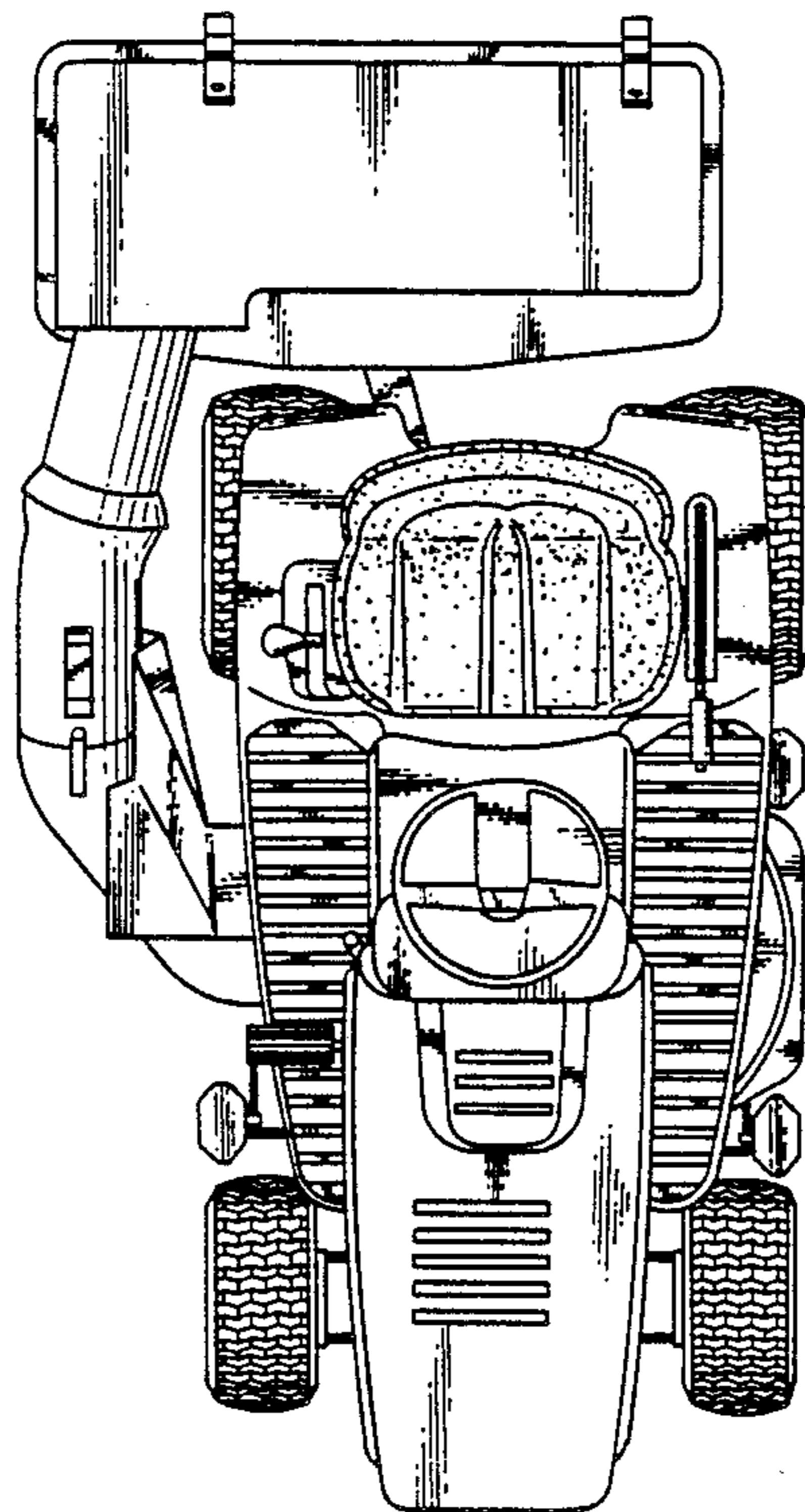


FIG.7

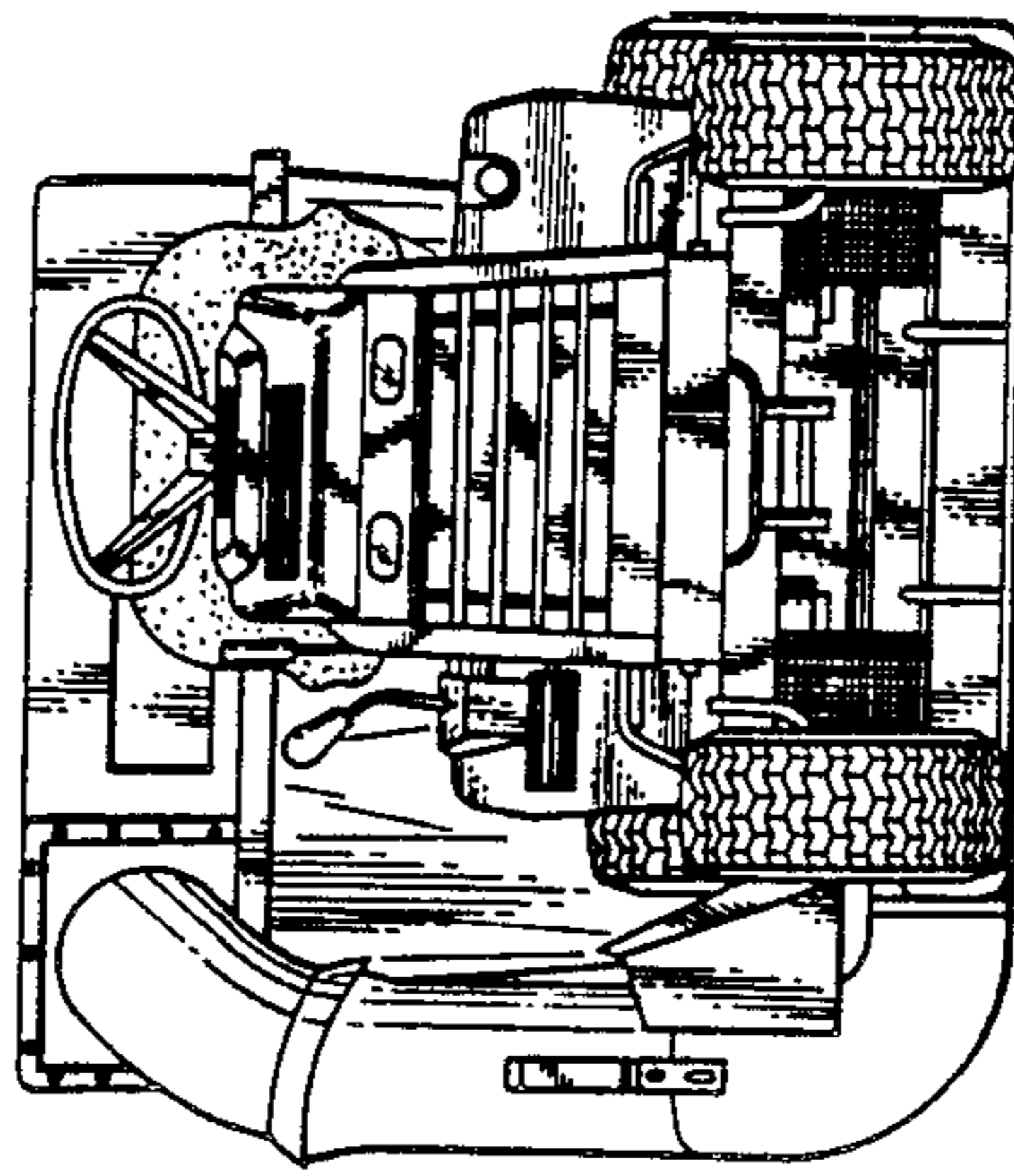


FIG.6

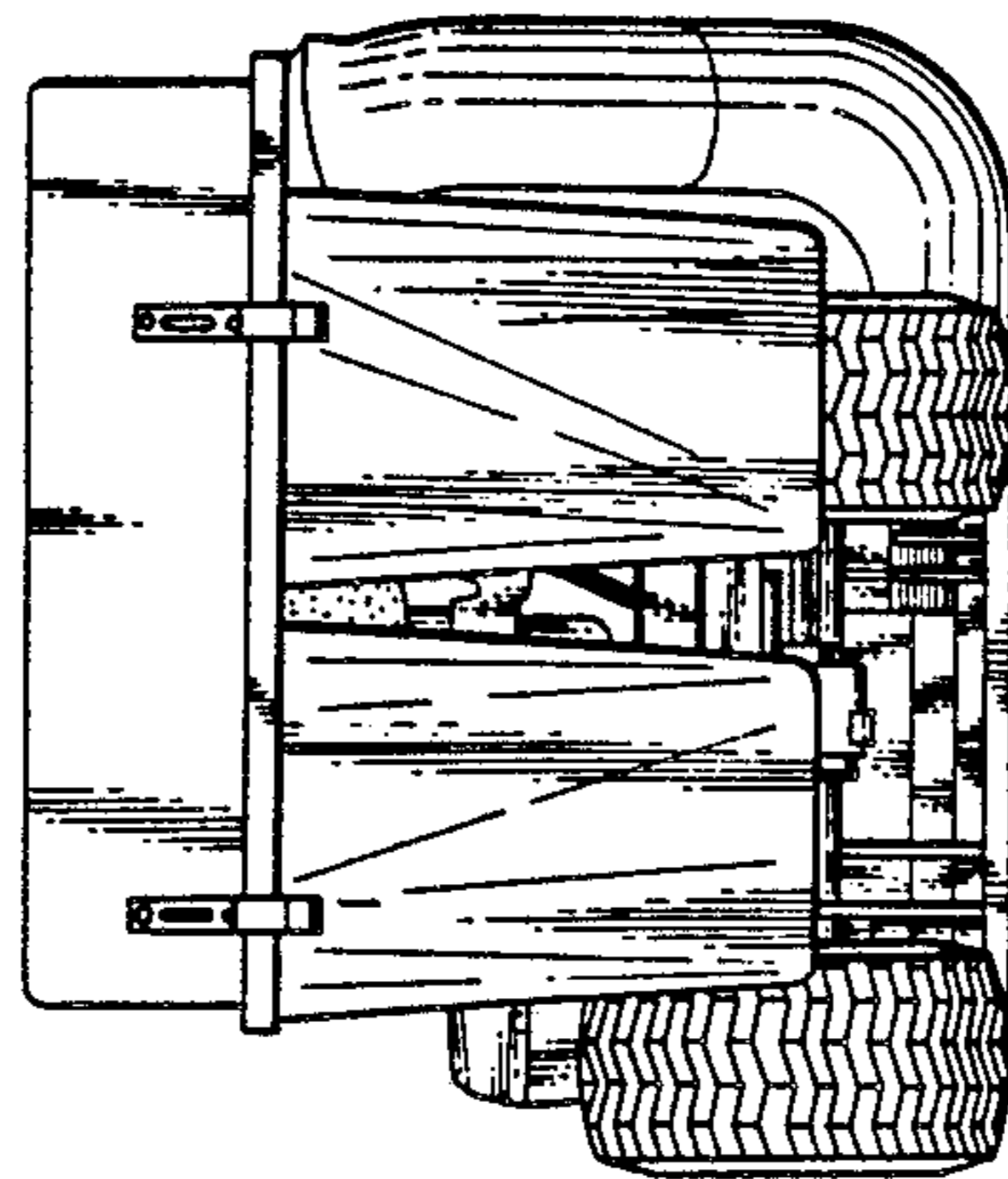


FIG. 8

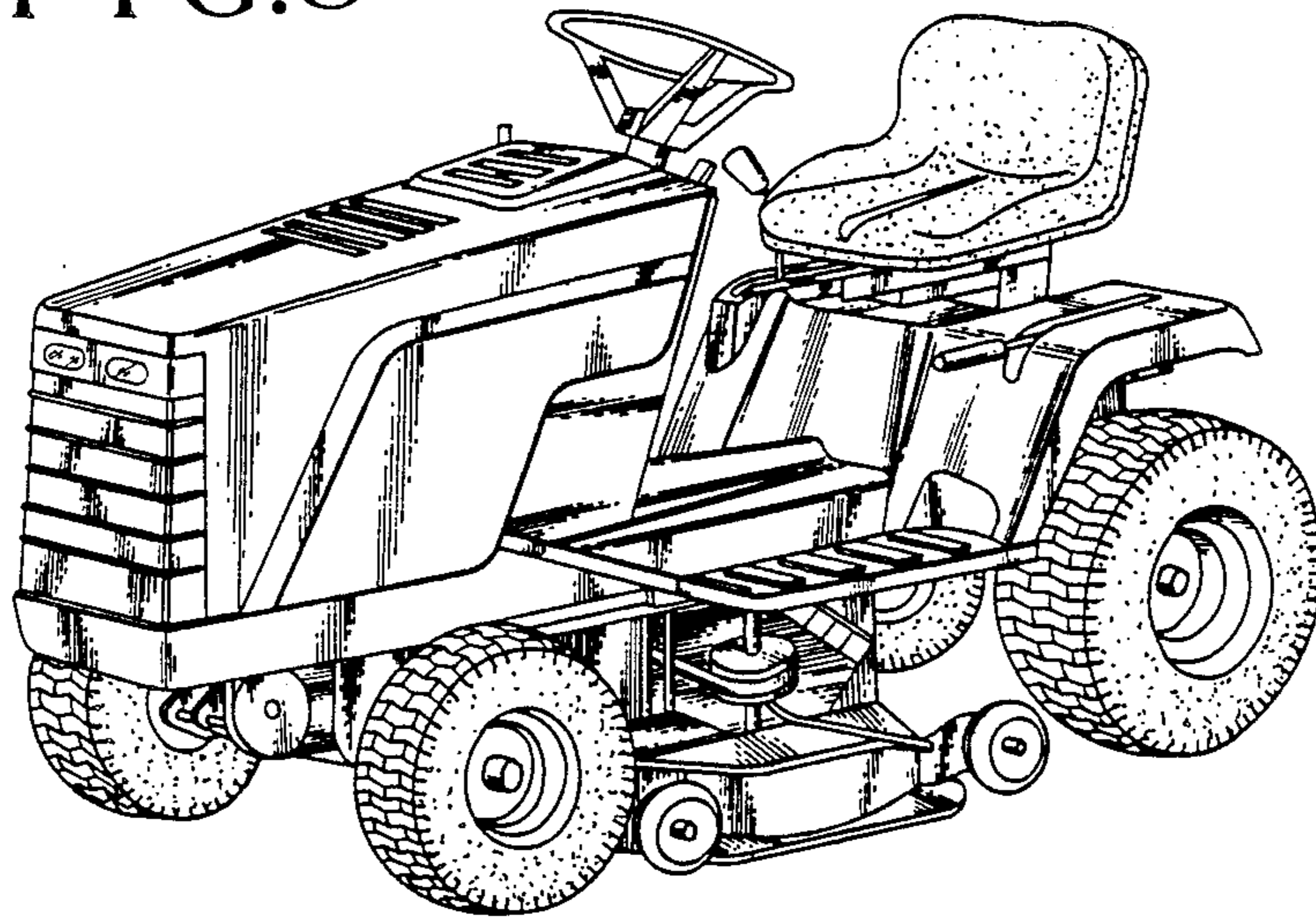


FIG. 9

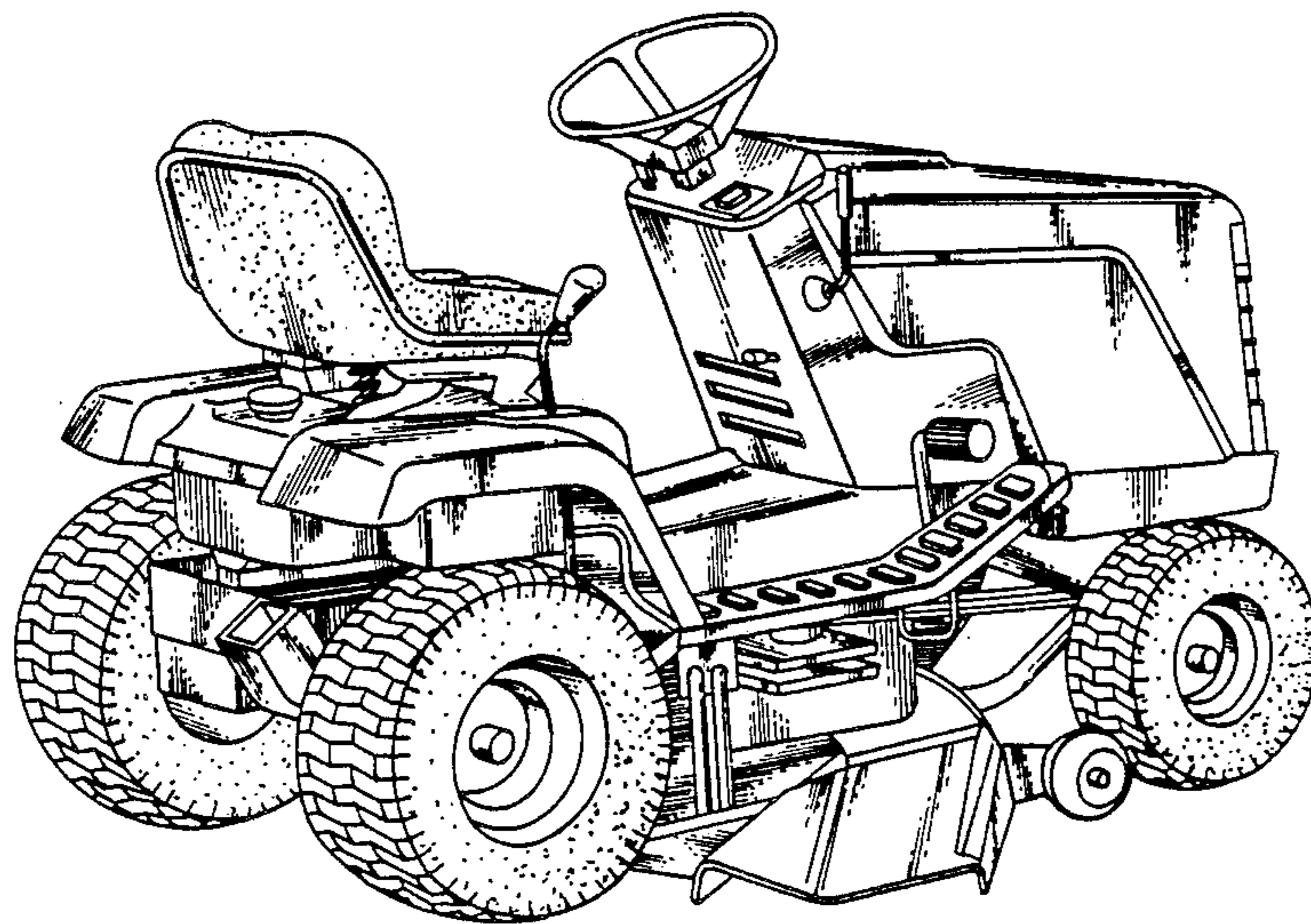


FIG. 10

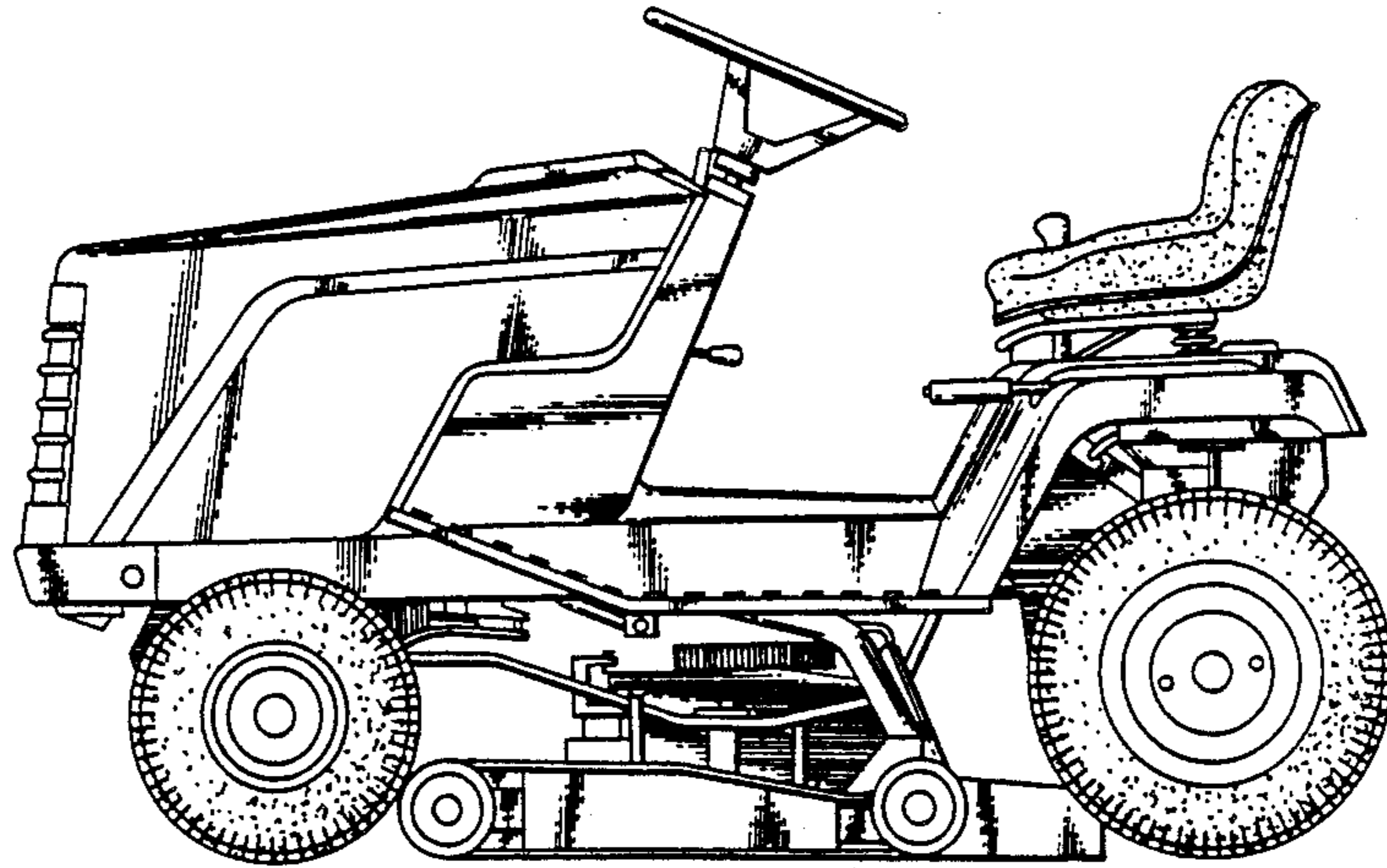


FIG. 11

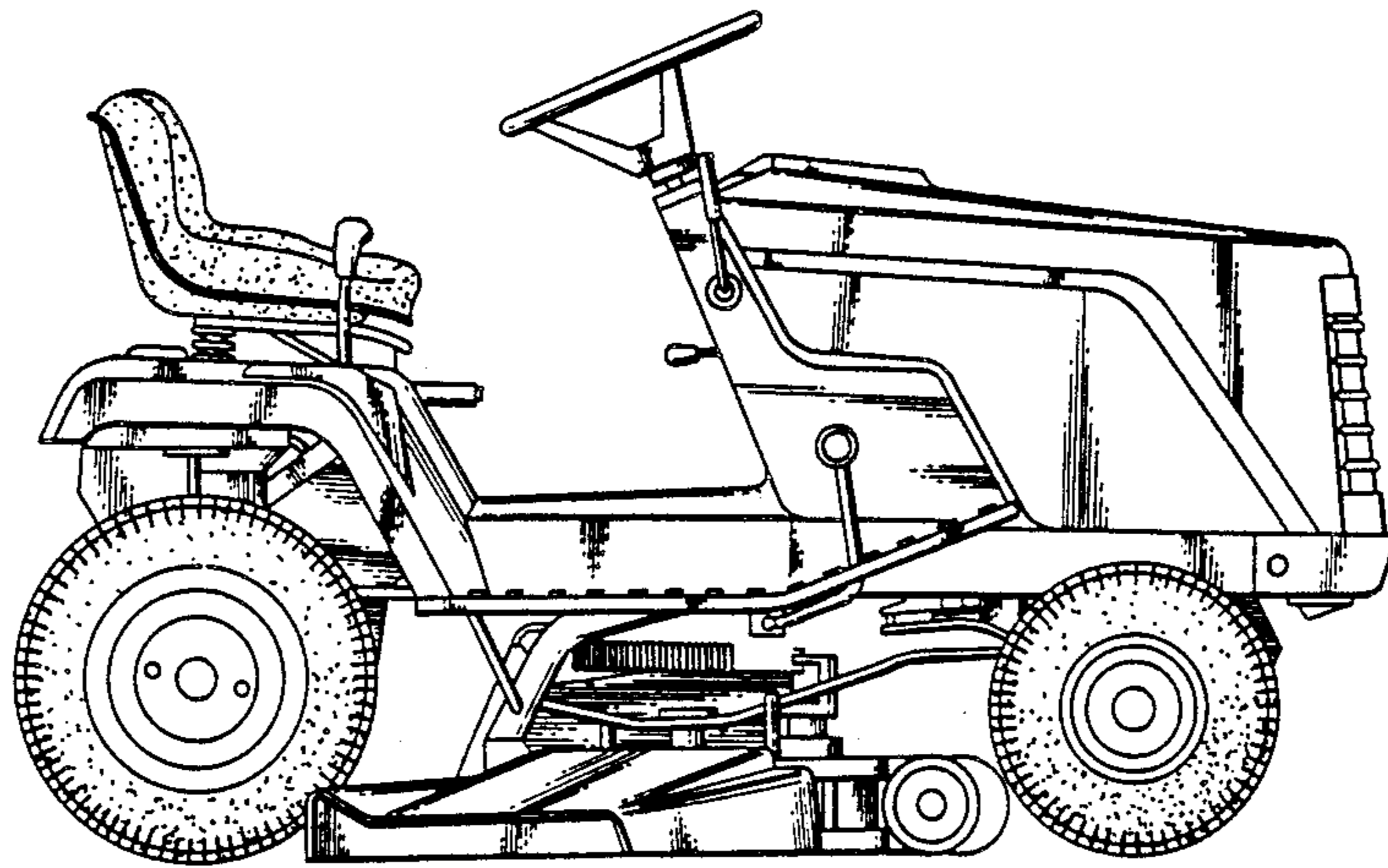




FIG. 12

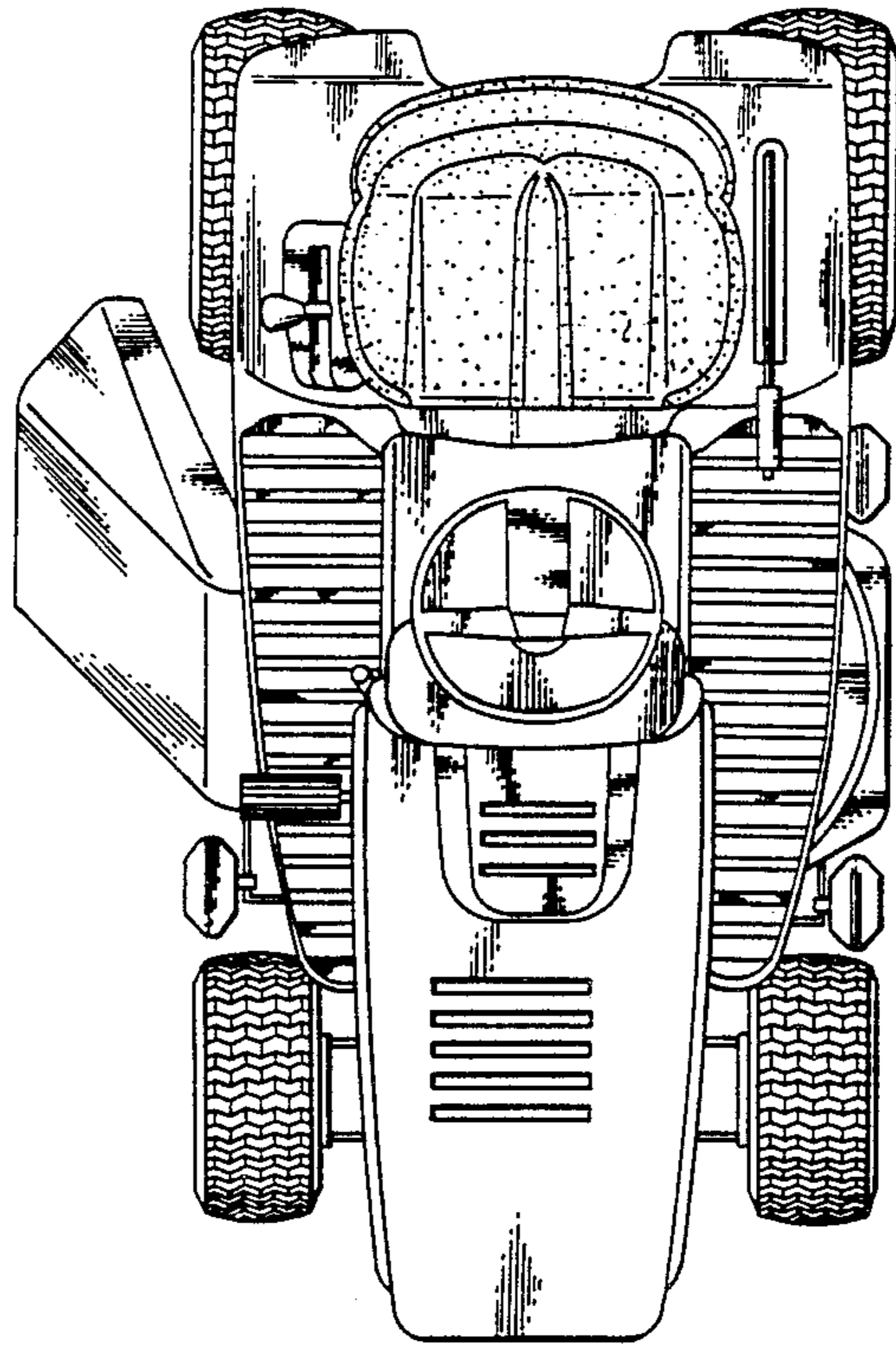




FIG.13

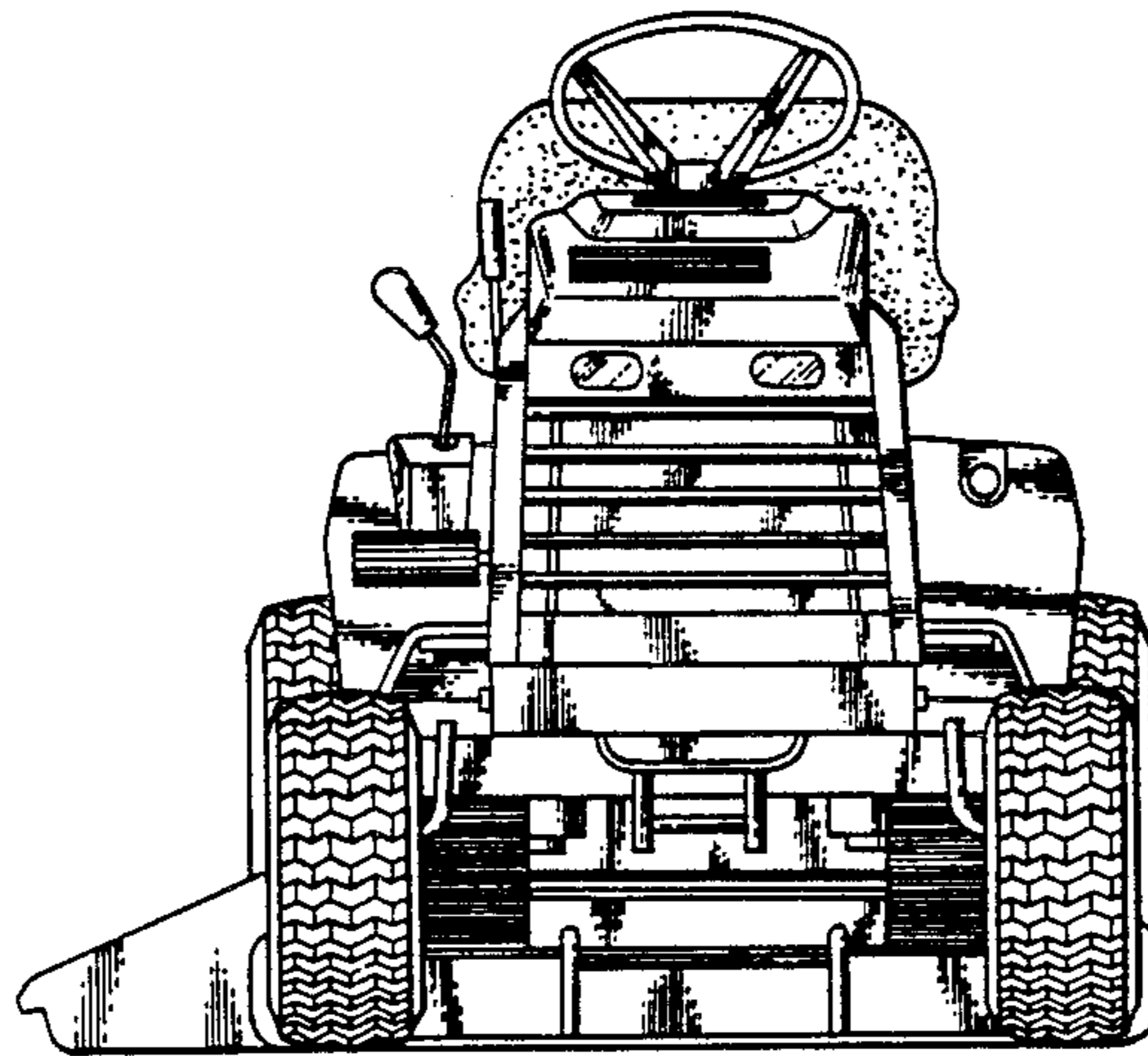


FIG.14

