

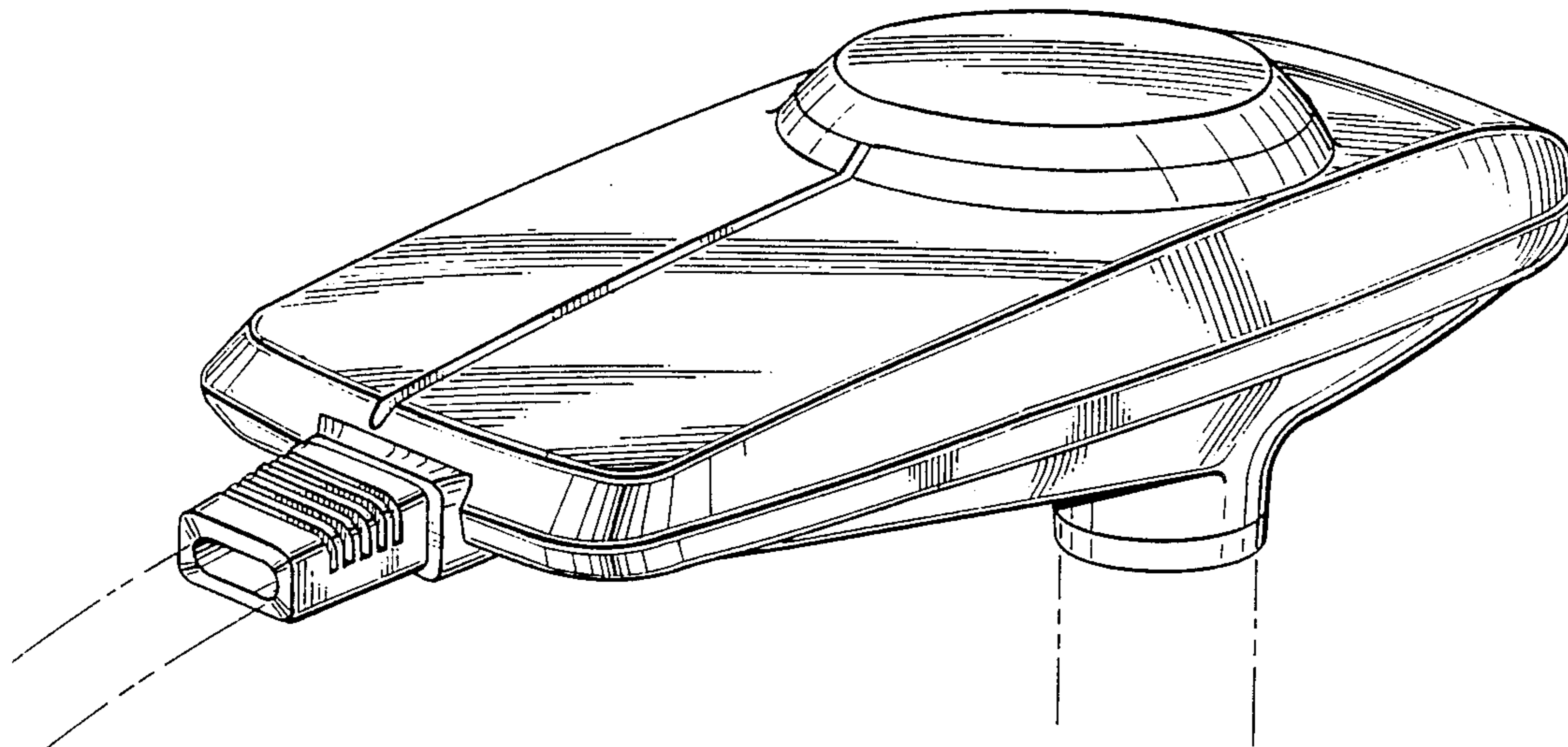
[54] **TROLLING MOTOR HOUSING**
[75] **Inventor: Richard J. Robbins, Derby, Kans.**
[73] **Assignee: Zebco Corporation, Tulsa, Okla.**
[**] **Term: 14 Years**
[21] **Appl. No.: 223,248**
[22] **Filed: Jul. 22, 1988**
[52] **U.S. Cl. D15/4**
[58] **Field of Search D15/4; 290/43, 46, 54;
440/3, 6, 900**

[56] **References Cited**
U.S. PATENT DOCUMENTS
D. 219,558 12/1970 Fetty D15/4
D. 276,811 12/1984 Wolfe D15/4
3,812,379 5/1974 Kaufman et al. D15/4 X
4,008,680 2/1977 Alexander, Jr. 440/6
4,311,470 1/1982 Blanchard 440/6

OTHER PUBLICATIONS
1988 MotorGuide Catalog, pp. 4 and 5.
Primary Examiner—A. Hugo Word
Assistant Examiner—Doris V. Coles
Attorney, Agent, or Firm—Wood, Phillips, Mason,
Recktenwald & VanSanten

[57] **CLAIM**
The ornamental design for a trolling motor housing, as shown and described.

DESCRIPTION
FIG. 1 is a right side and front perspective view of a trolling motor housing, showing my new design; FIG. 2 is a top plan view thereof; FIG. 3 is a right side elevational view thereof; FIG. 4 is a front elevational view thereof; FIG. 5 is a rear elevational view thereof; FIG. 6 is a left side elevational view thereof; and FIG. 7 is a bottom plan view thereof.
The broken lines shown in phantom in FIG. 1 are for illustrative purposes only and form no part of the claimed design.



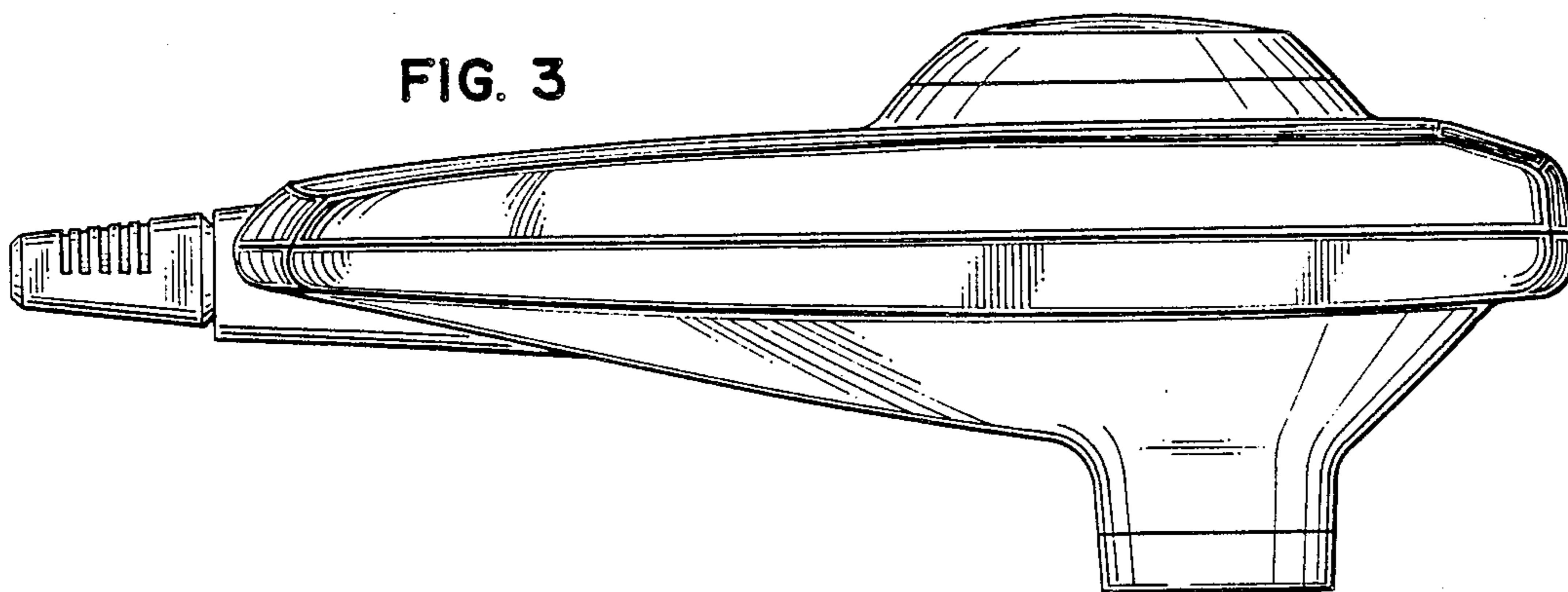
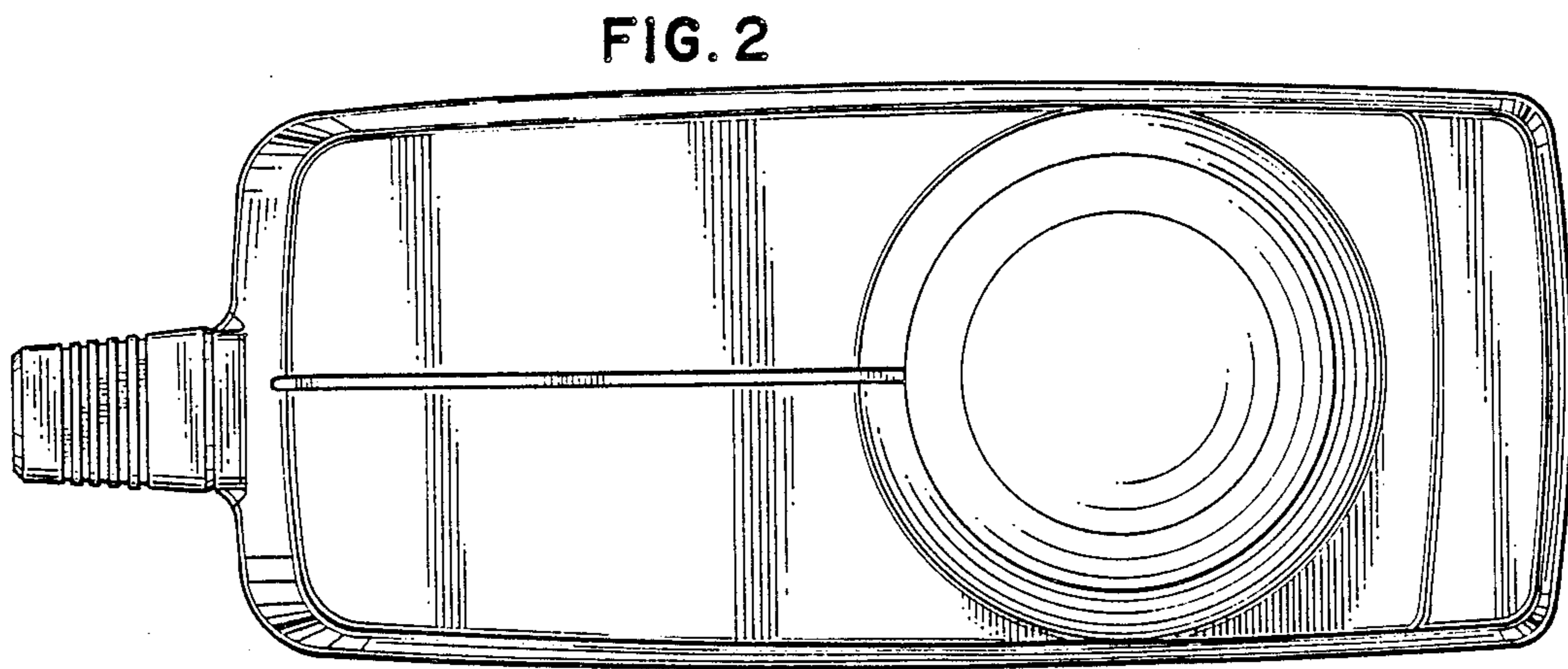
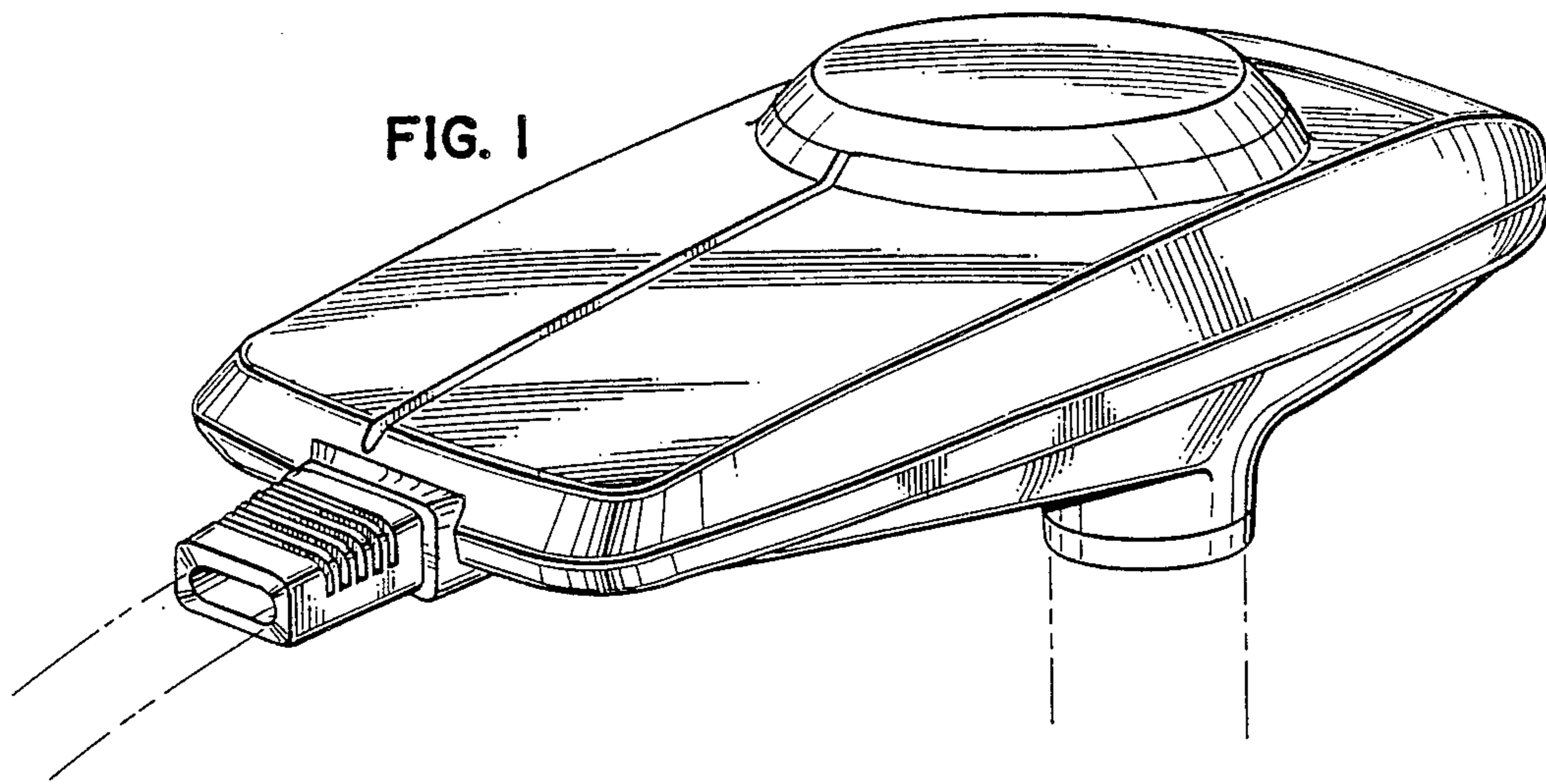


FIG. 4

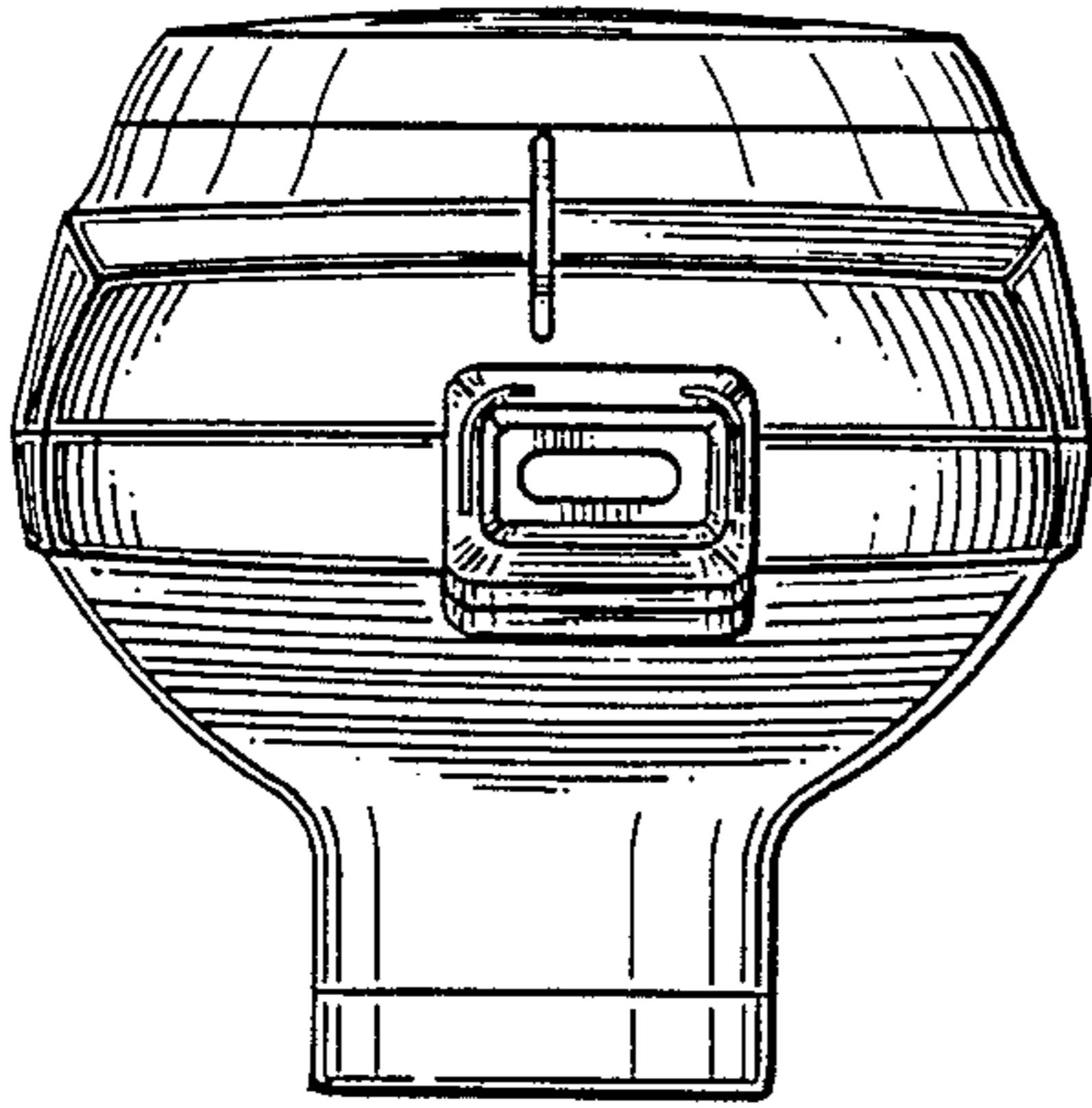


FIG. 5

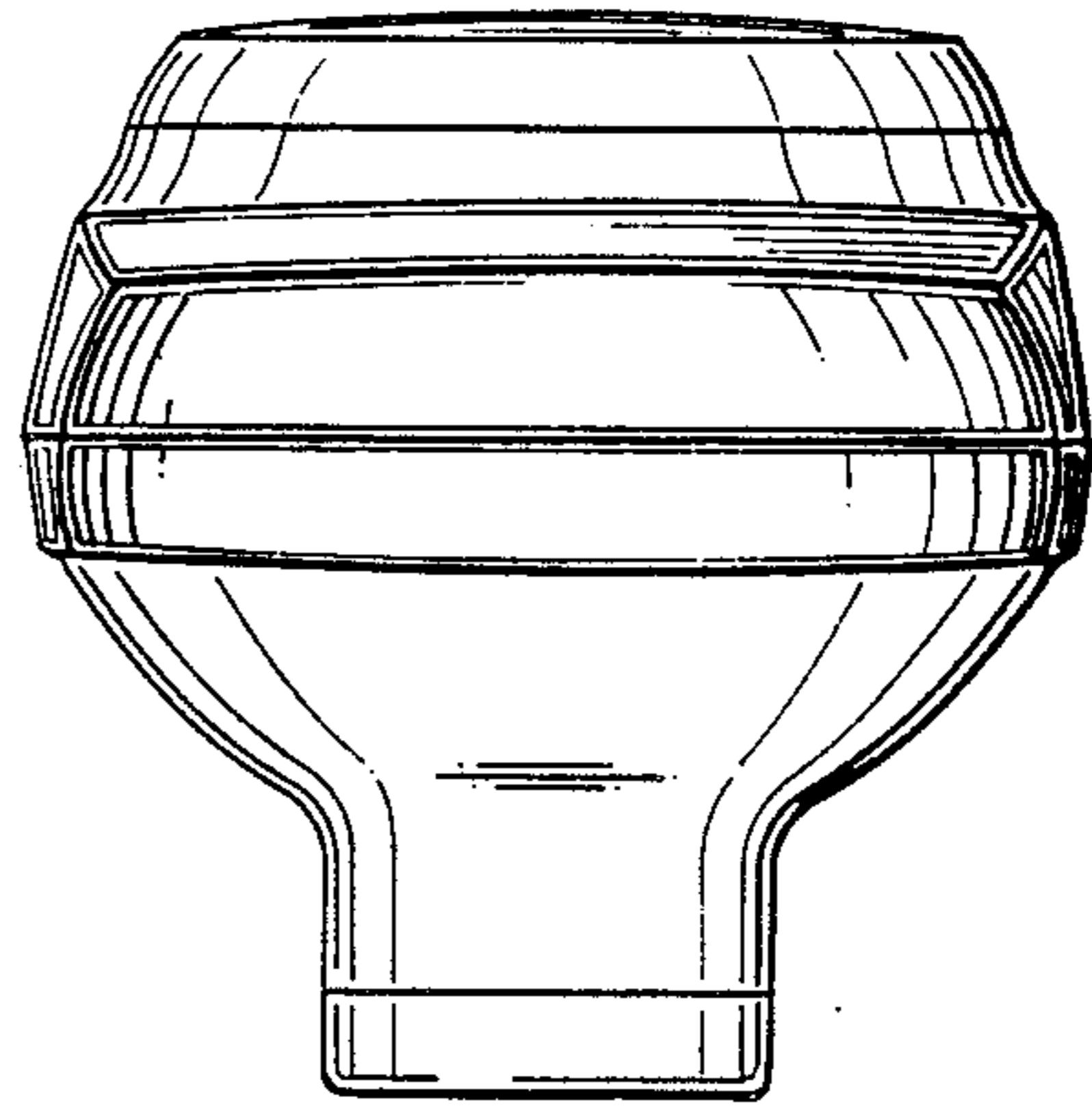


FIG. 6

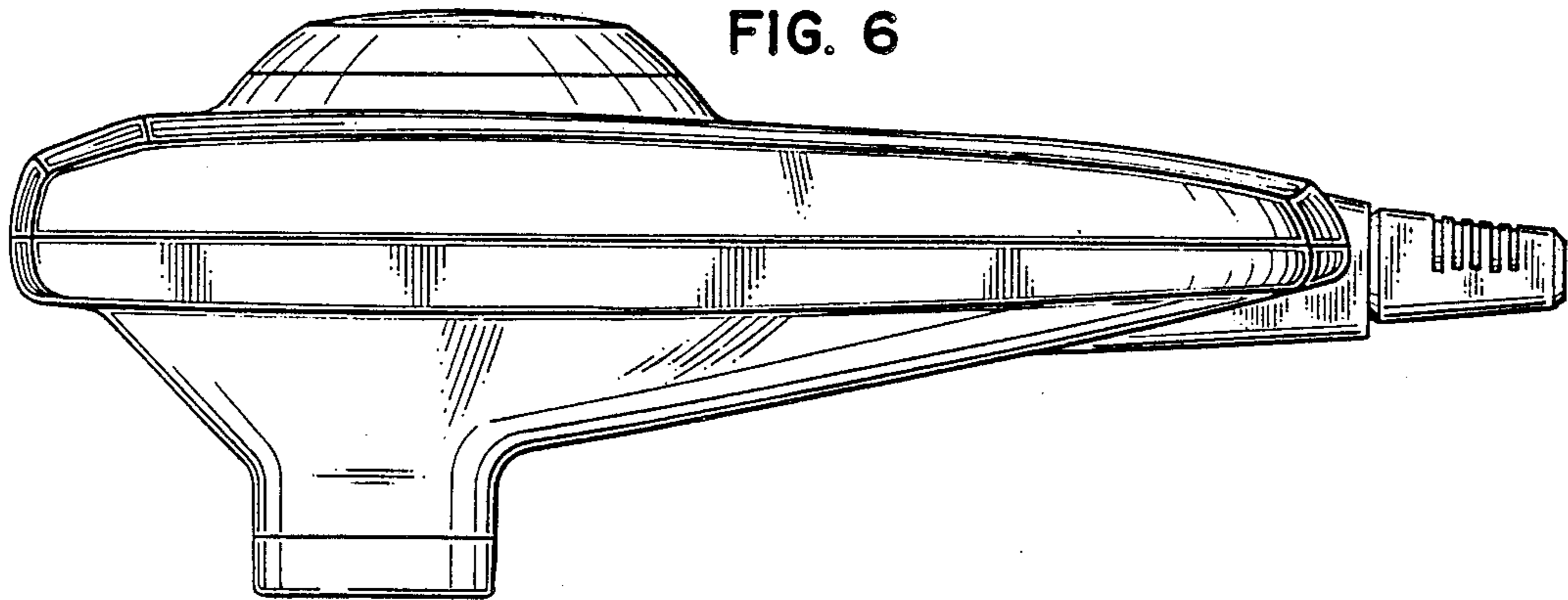


FIG. 7

