

[54] ANTENNA MOUNT

[76] Inventor: Lawrence T. Fahy, 4857 Gransback St., Philadelphia, Pa. 19120

[**] Term: 14 Years

[21] Appl. No.: 173,756

[22] Filed: Mar. 25, 1988

[52] U.S. Cl. D14/238

[58] Field of Search D14/230-238; 343/882, 878, 880; 248/237, 516, 519

[56] References Cited

U.S. PATENT DOCUMENTS

- D. 277,578 2/1985 Nichols D14/86
- D. 286,288 10/1986 Skinner et al. D14/91
- D. 289,163 4/1987 Eriksson D14/86
- D. 292,707 11/1987 Fahy D14/91
- 4,799,642 1/1989 Wright 248/237 X

OTHER PUBLICATIONS

- Radio Shack—1986 Catalog No. 393, p. 96, top—Item 5—3 Ft. Tripod Mount.
- QST, Jan. 1987, p. 102, top left—ETS 180 and ETS 210.

Lafayette Catalog No. 740, 1973, p. 300, bottom right, Angenna Mounts.

Primary Examiner—Theodore M. Shooman
Attorney, Agent, or Firm—Dann, Dorfman, Herrell and Skillman

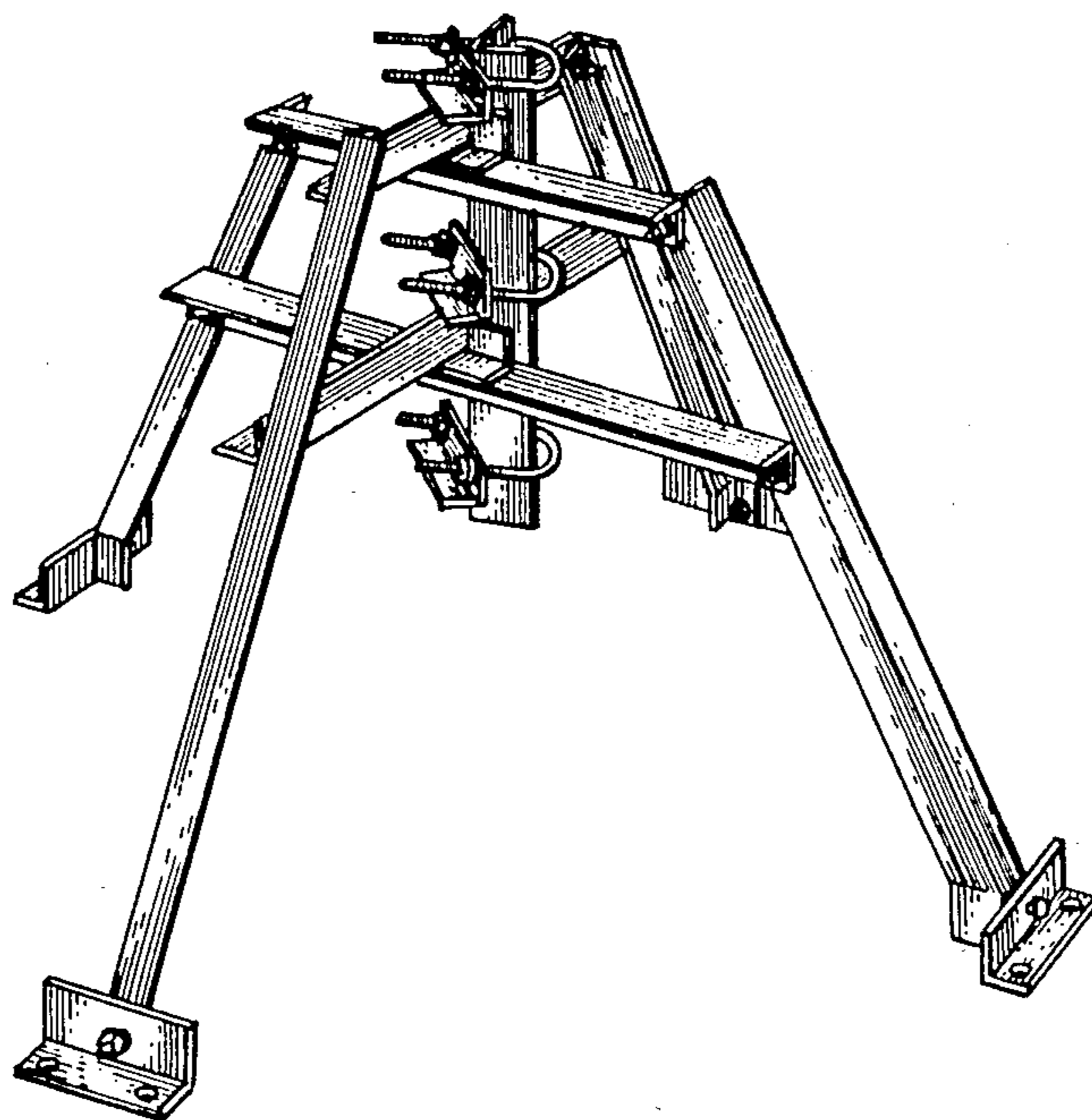
[57] CLAIM

The ornamental design for an antenna mount, as shown and described.

DESCRIPTION

FIG. 1 is a front elevational view of an antenna mount showing my new design;
 FIG. 2 is a rear elevational view thereof;
 FIG. 3 is a left side elevational view thereof;
 FIG. 4 is a right side elevational view thereof;
 FIG. 5 is a top plan view thereof, rotated 45° clockwise from FIG. 1;
 FIG. 6 is a bottom plan view thereof rotated 45° counterclockwise from FIG. 1; and
 FIG. 7 is a perspective view thereof.

The broken line showing of the antenna mast in FIGS. 5 and 6 is for illustrative purposes only and forms no part of the claimed design.



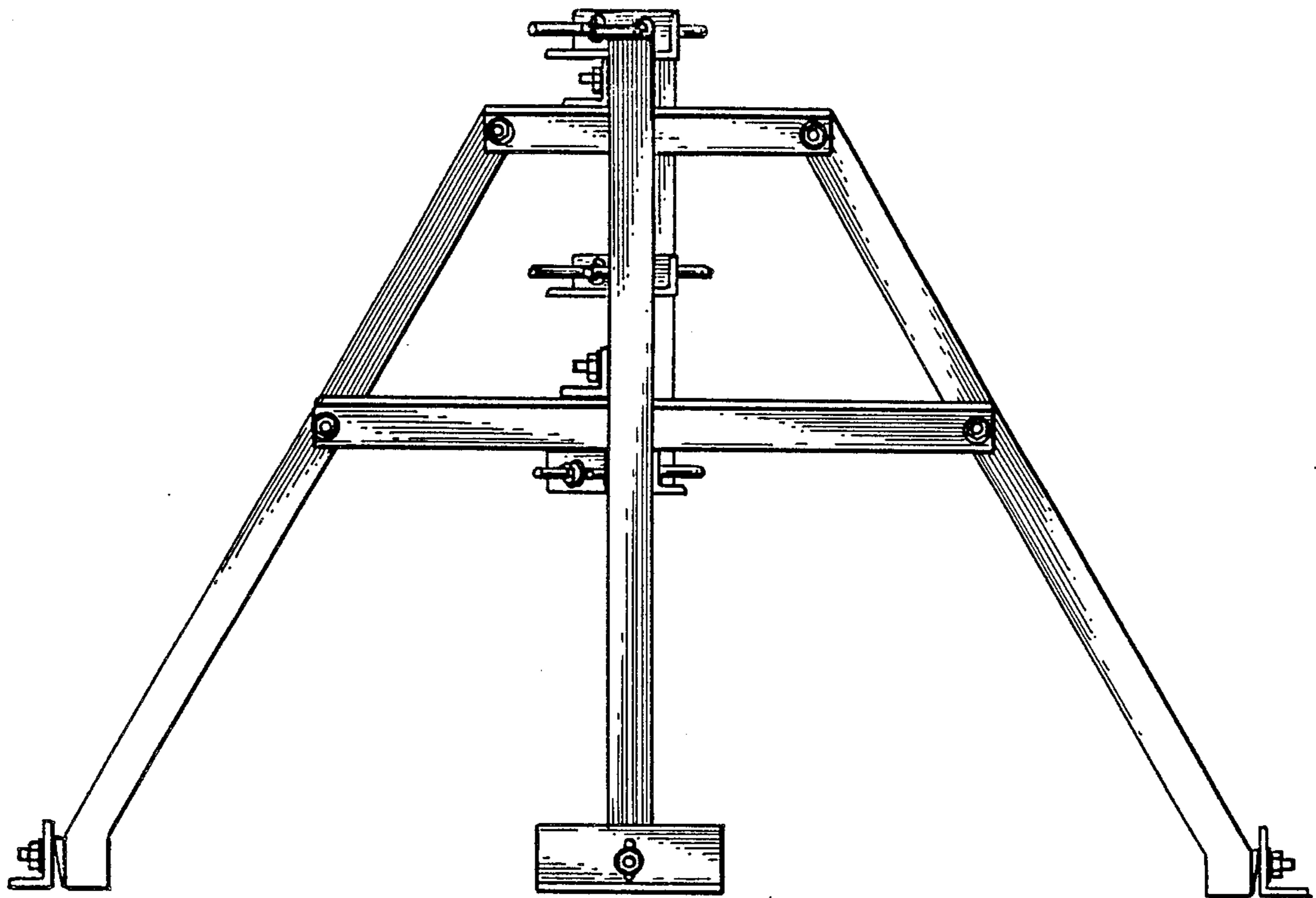


FIG. 1

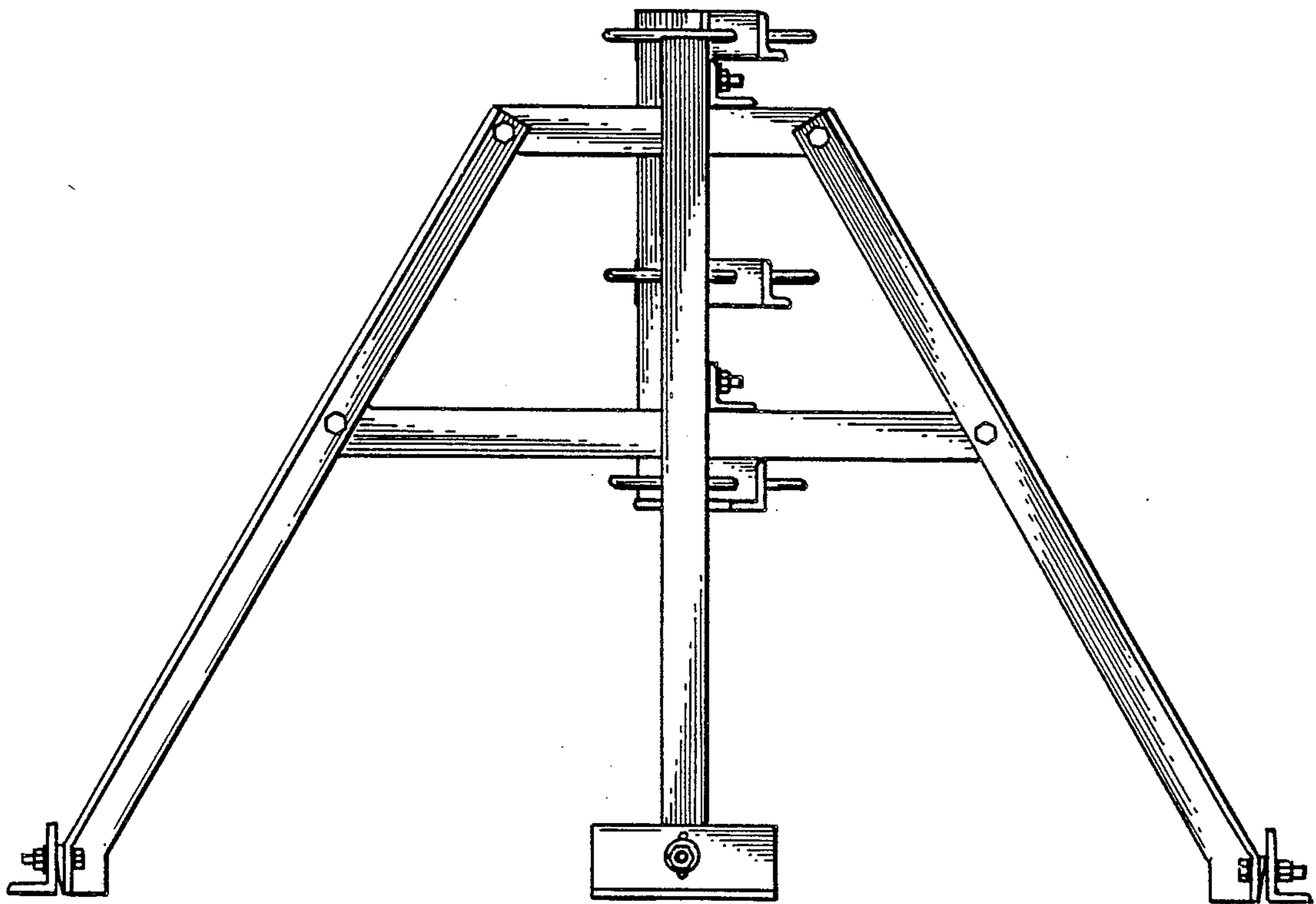


FIG. 2

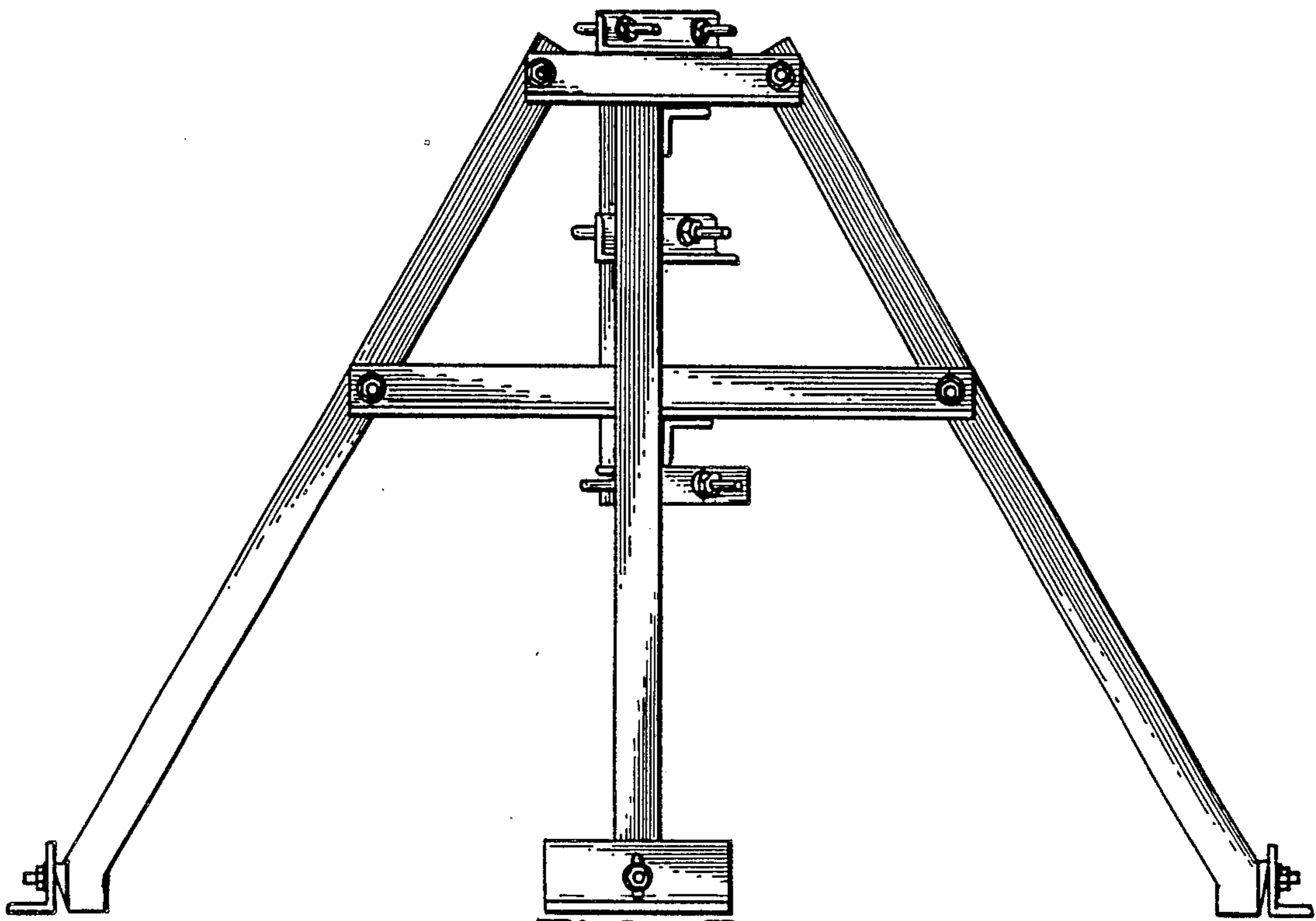


FIG. 3

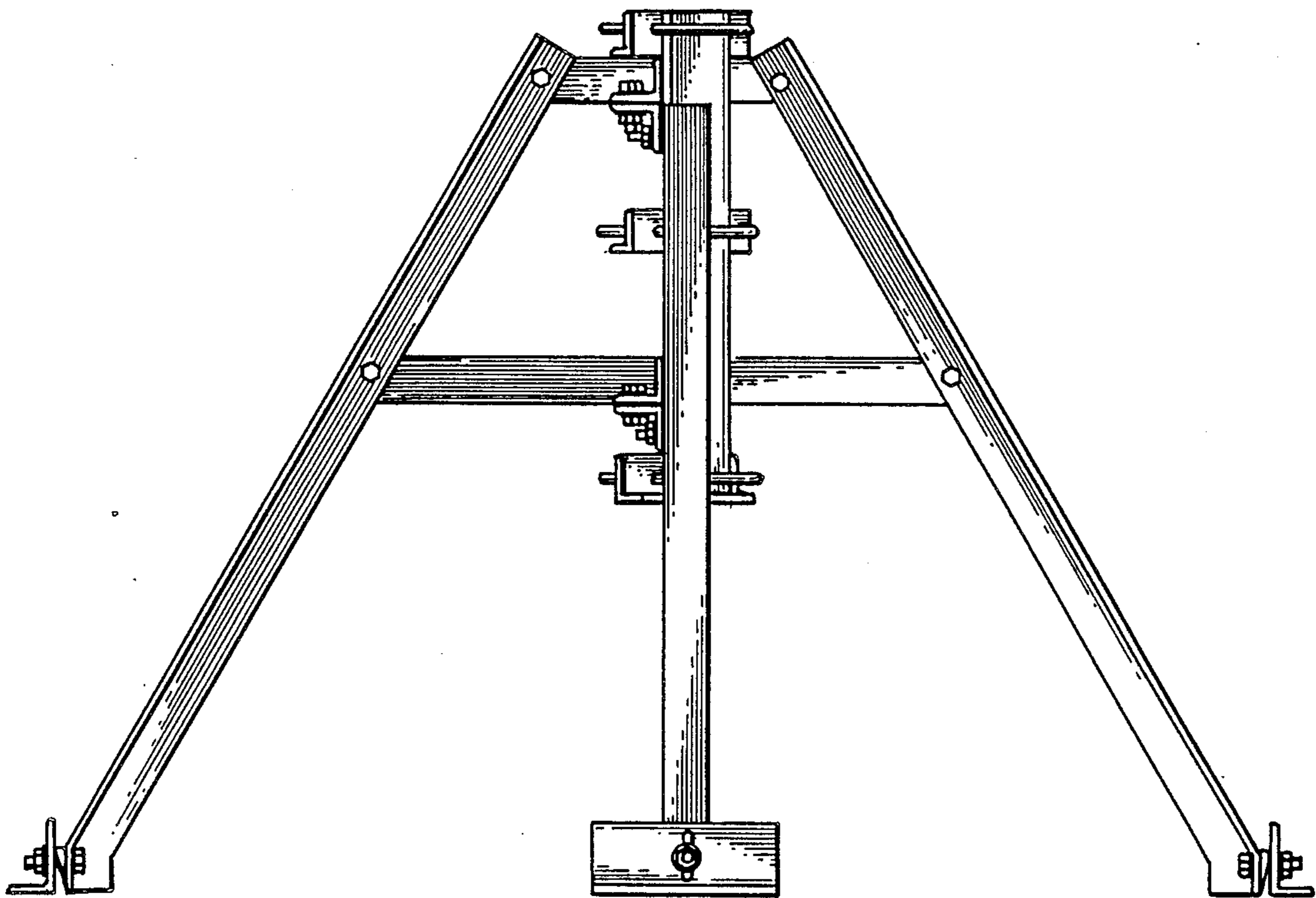


FIG. 4

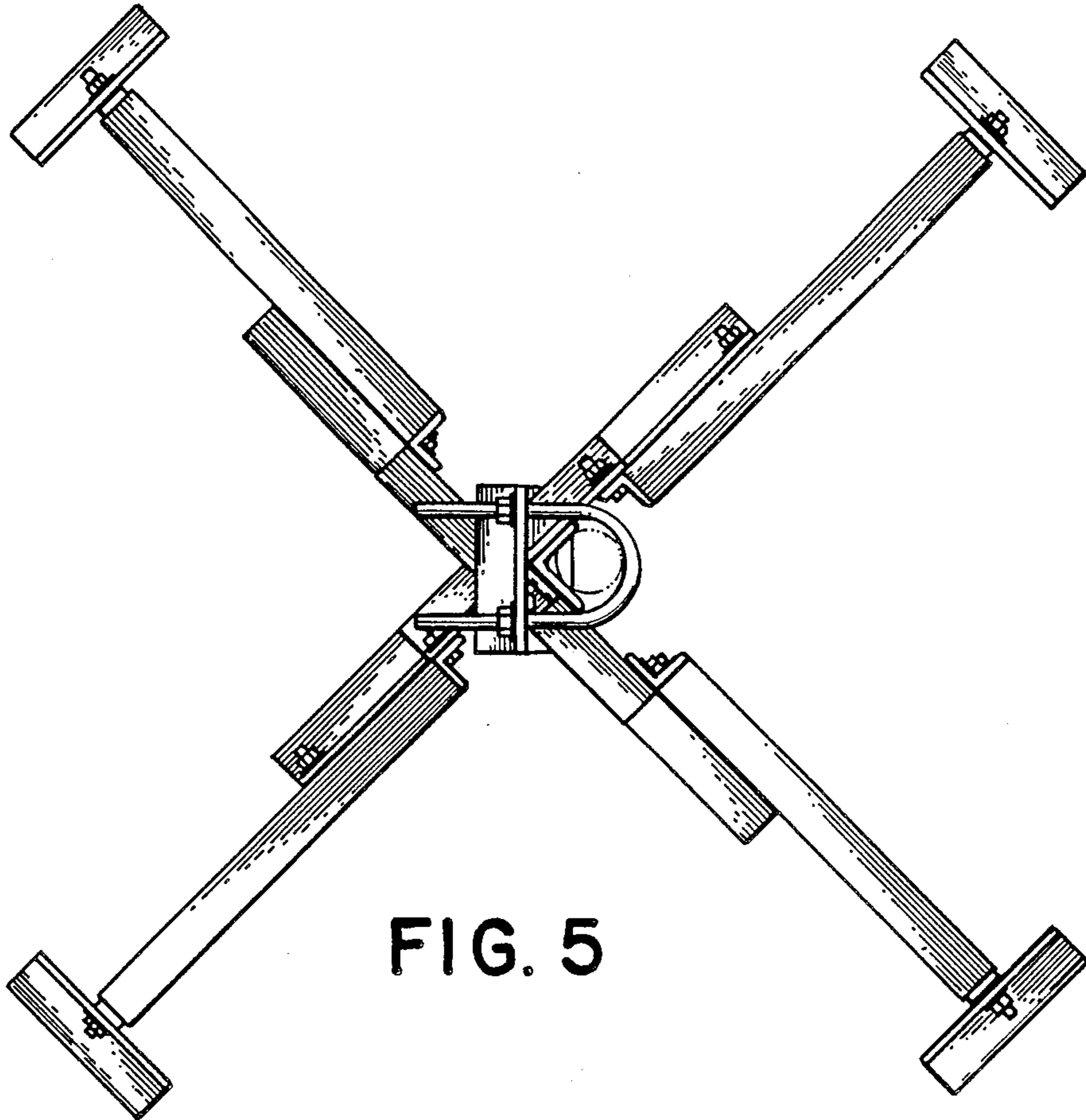


FIG. 5

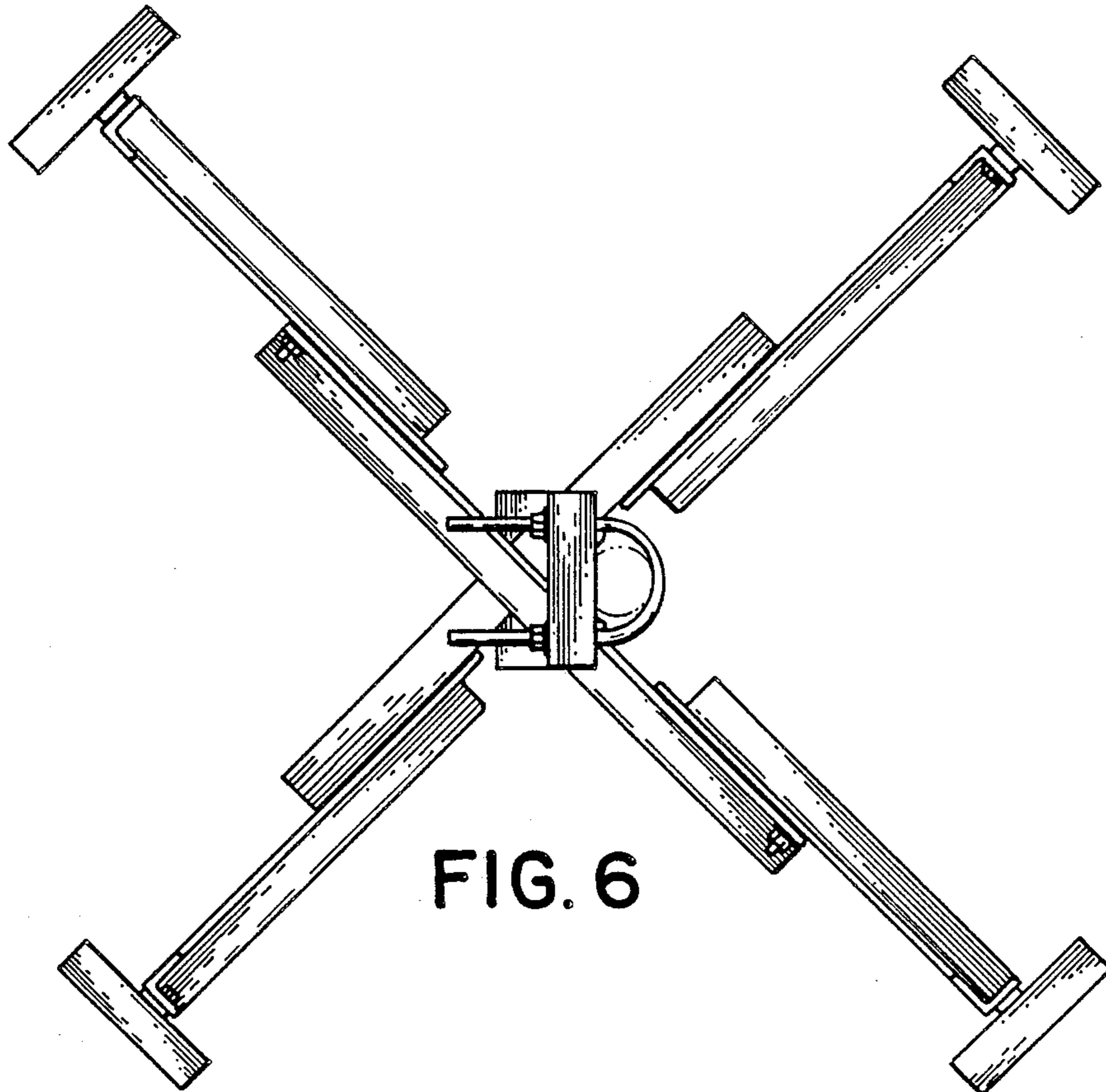


FIG. 6

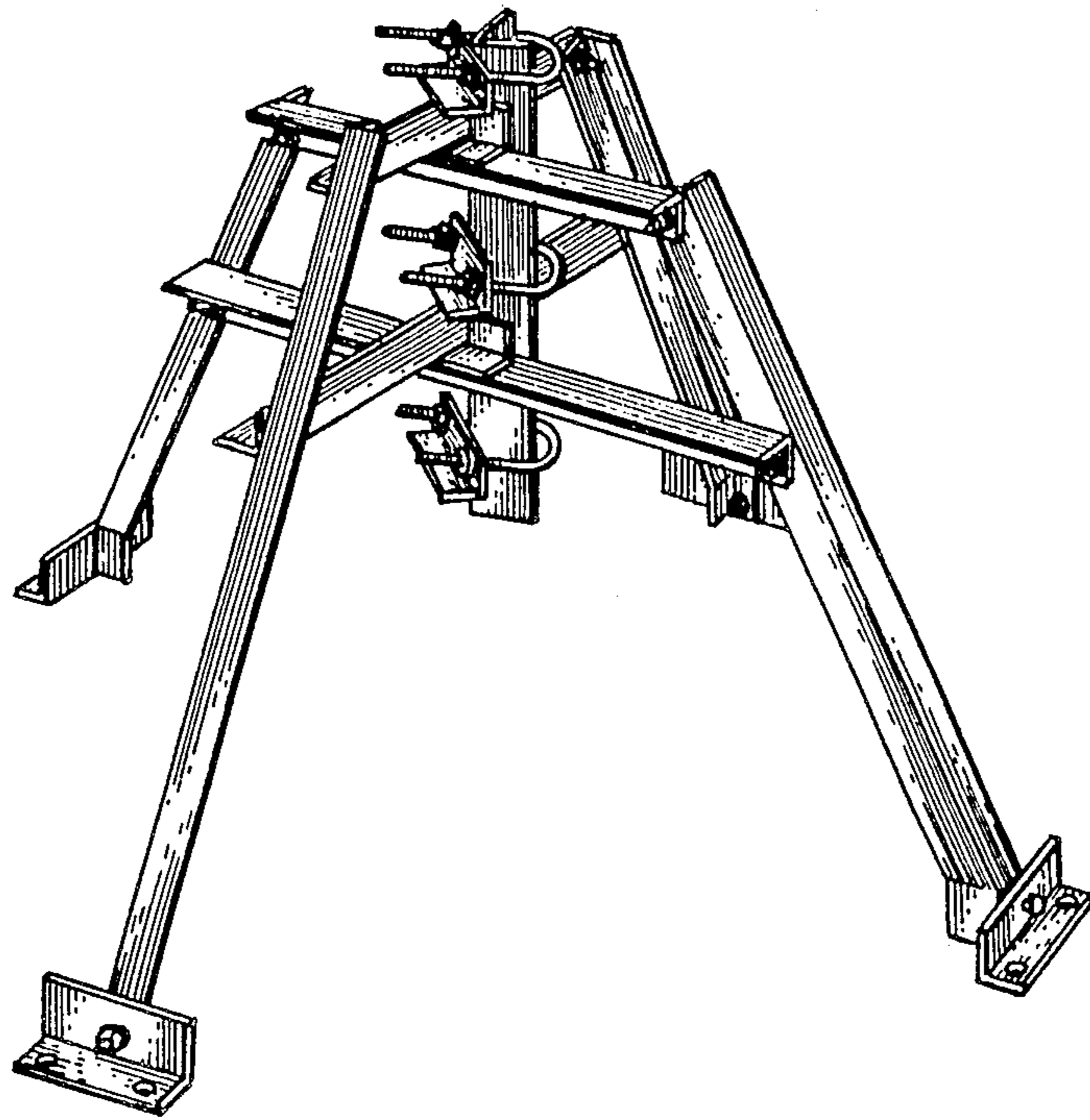


FIG. 7