

[54] PERSONAL COMPUTER

[75] Inventor: Sampei Seki, Tokyo, Japan

[73] Assignee: Oki Electric Industry Co., Ltd.,
Tokyo, Japan

[**] Term: 14 Years

[21] Appl. No.: 322,061

[22] Filed: Mar. 13, 1989

[30] Foreign Application Priority Data

Sep. 26, 1988 [JP] Japan 63-37416

[52] U.S. Cl. D14/106

[58] Field of Search D14/100, 105, 106, 107,
D14/113, 115; D18/1, 7, 11, 12; 235/145 A,
145 R; 340/700, 706, 711, 712; 341/22, 23;
358/249, 254; 364/706-710

[56] References Cited

U.S. PATENT DOCUMENTS

- D. 290,256 6/1987 Sapper D14/106
- D. 299,031 12/1988 Sugano D14/106
- D. 303,523 9/1989 Shiozawa et al. D14/106
- D. 305,883 2/1990 Burton D14/106

Primary Examiner—Wallace R. Burke

Assistant Examiner—Freda S. Nunn

Attorney, Agent, or Firm—Wenderoth, Lind & Ponack

[57] CLAIM

The ornamental design for a personal computer, as shown and described.

DESCRIPTION

FIG. 1 is a front top and right side perspective view of a personal computer showing my new design;

FIG. 2 is a front elevational view thereof on an enlarged scale;

FIG. 3 is a rear elevational view thereof on an enlarged scale;

FIG. 4 is a top plan view thereof on an enlarged scale;

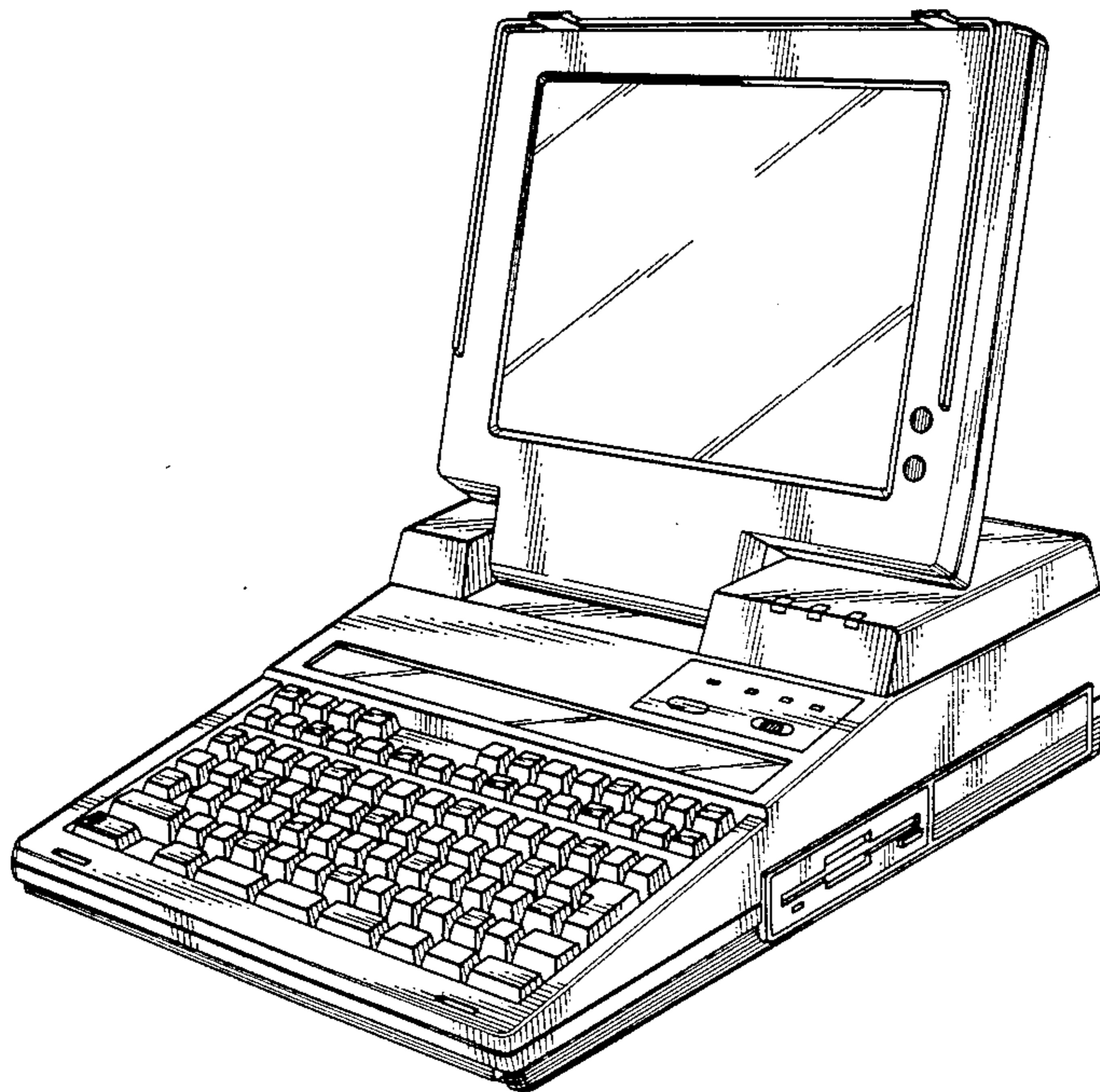
FIG. 5 is a bottom plan view thereof on an enlarged scale;

FIG. 6 is a left side elevational view thereof on an enlarged scale;

FIG. 7 is a right side elevational view thereof on an enlarged scale;

FIG. 8 is an enlarged cross-sectional view taken along line VIII—VIII of FIG. 2, the interior construction is omitted;

FIG. 9 is a front, top and right side perspective view thereof, the display window being in the closed position and the carrying handle being extended.



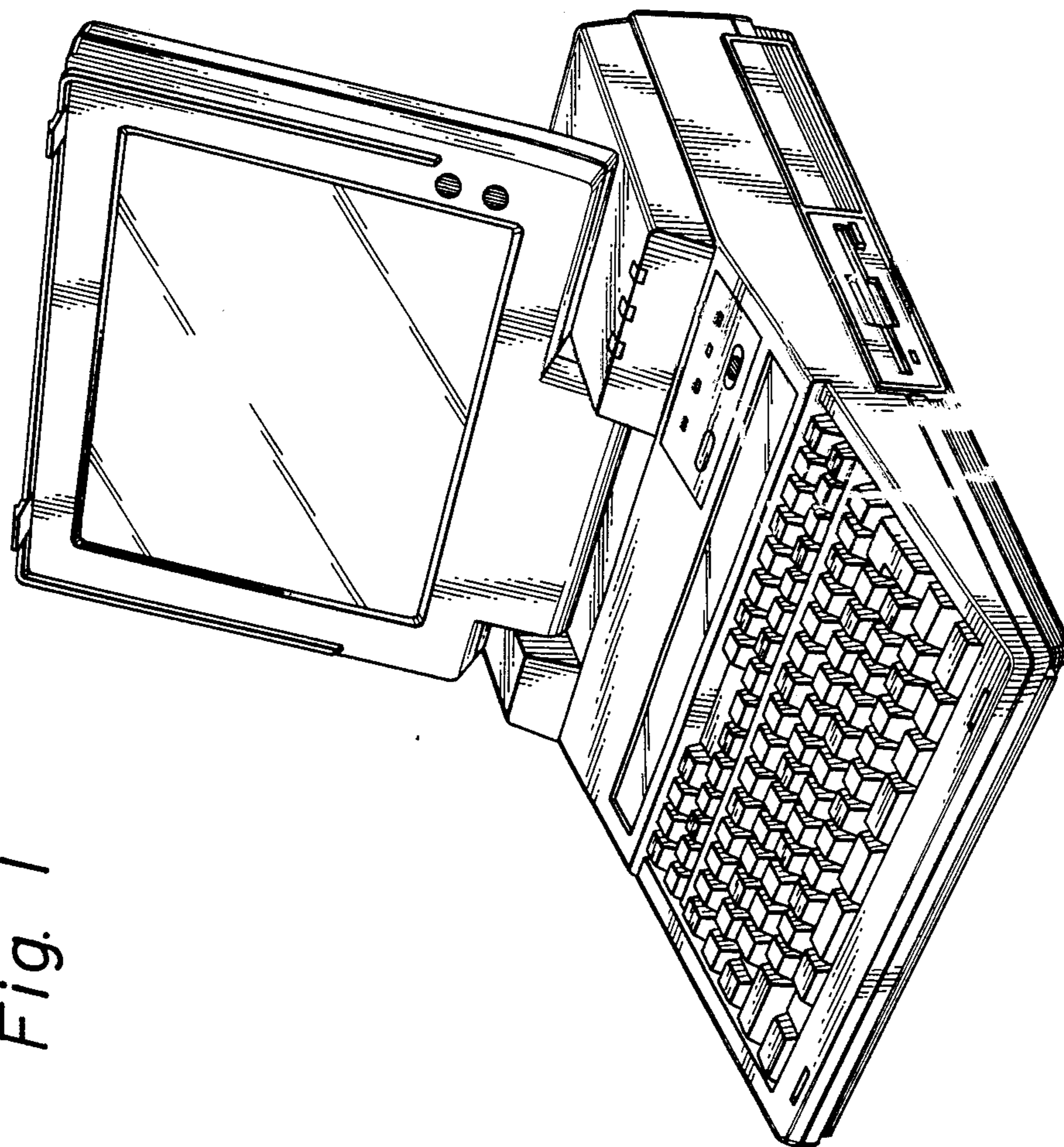


Fig. 1

Fig. 2

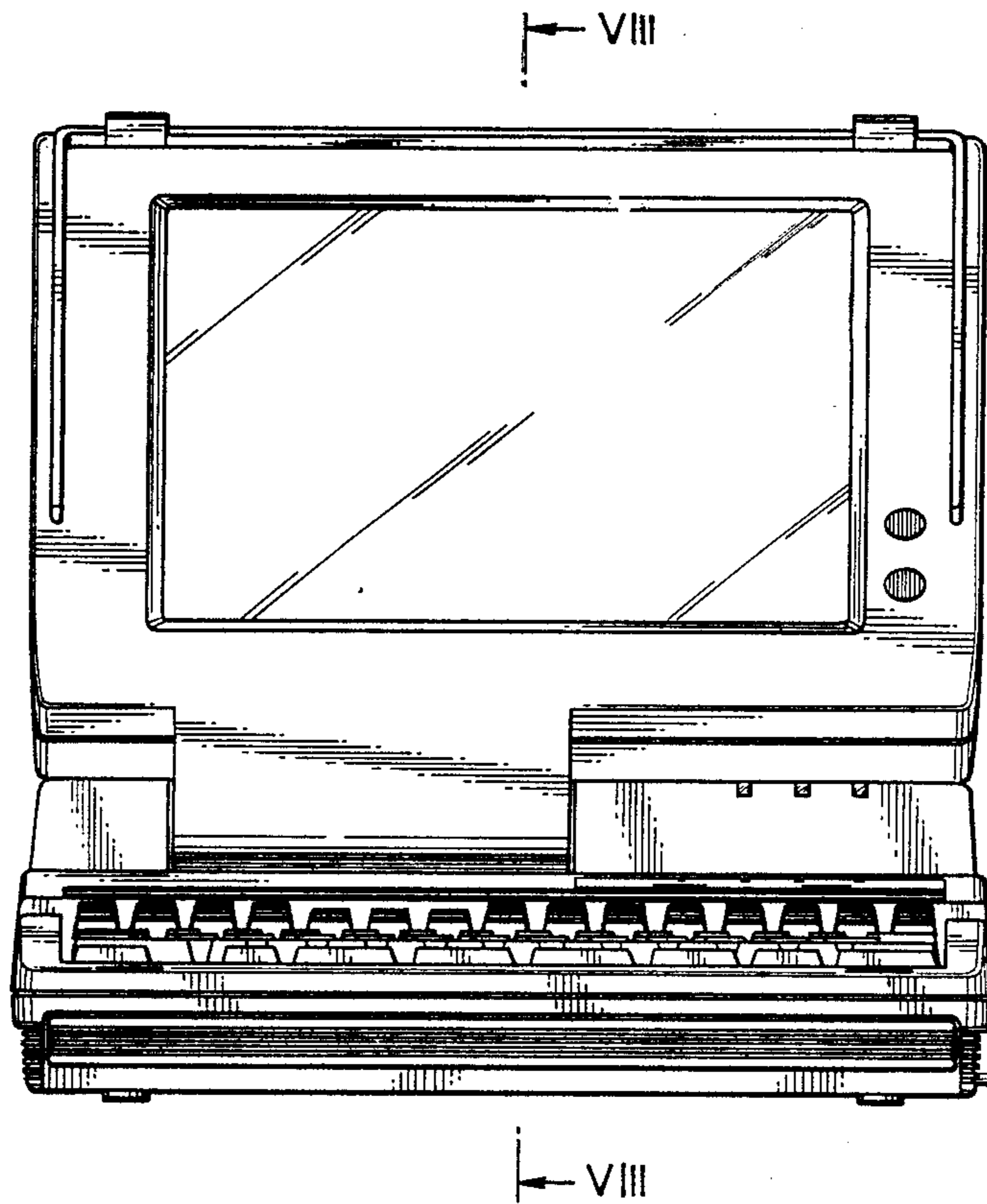


Fig. 3

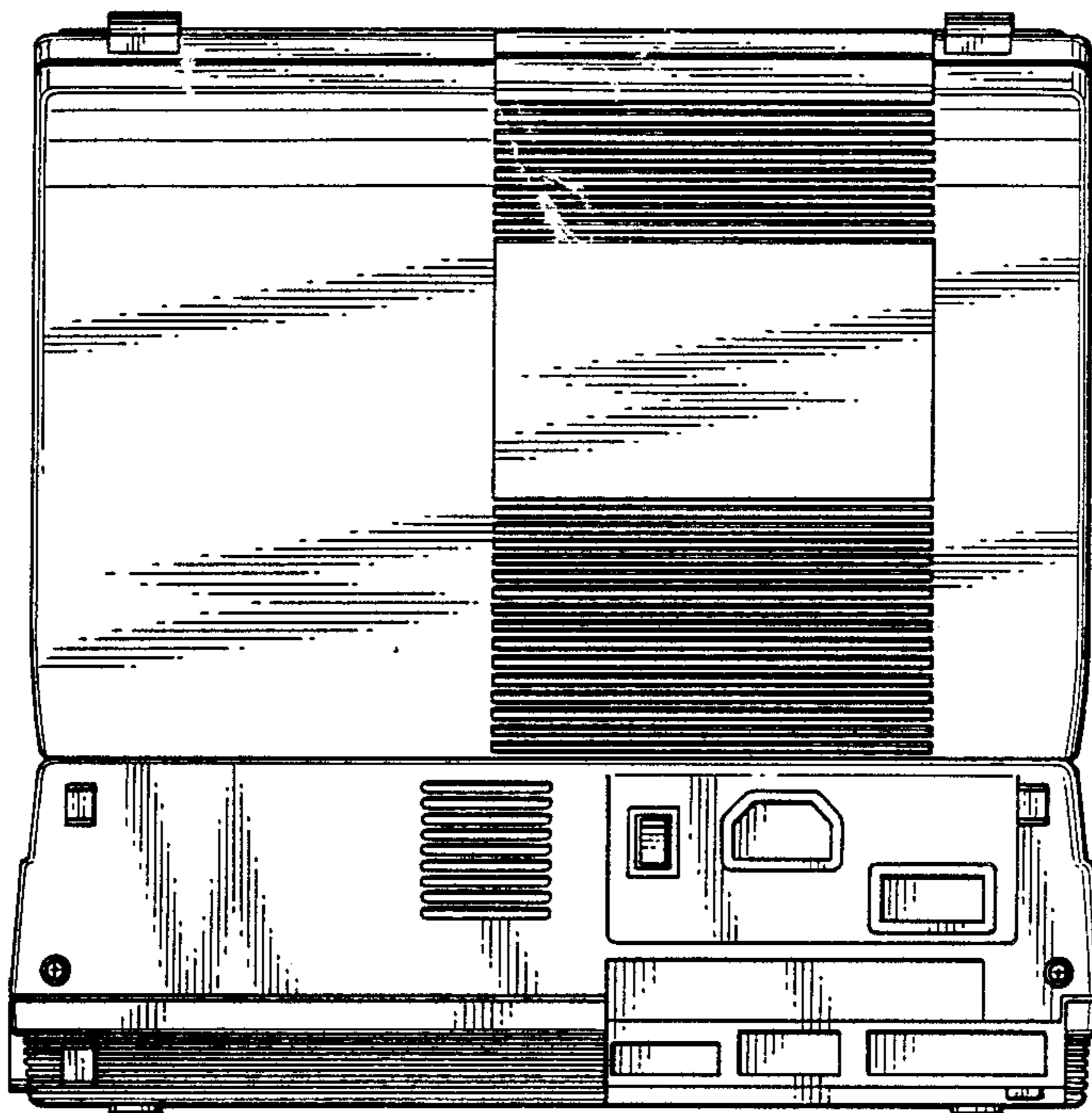


Fig. 4

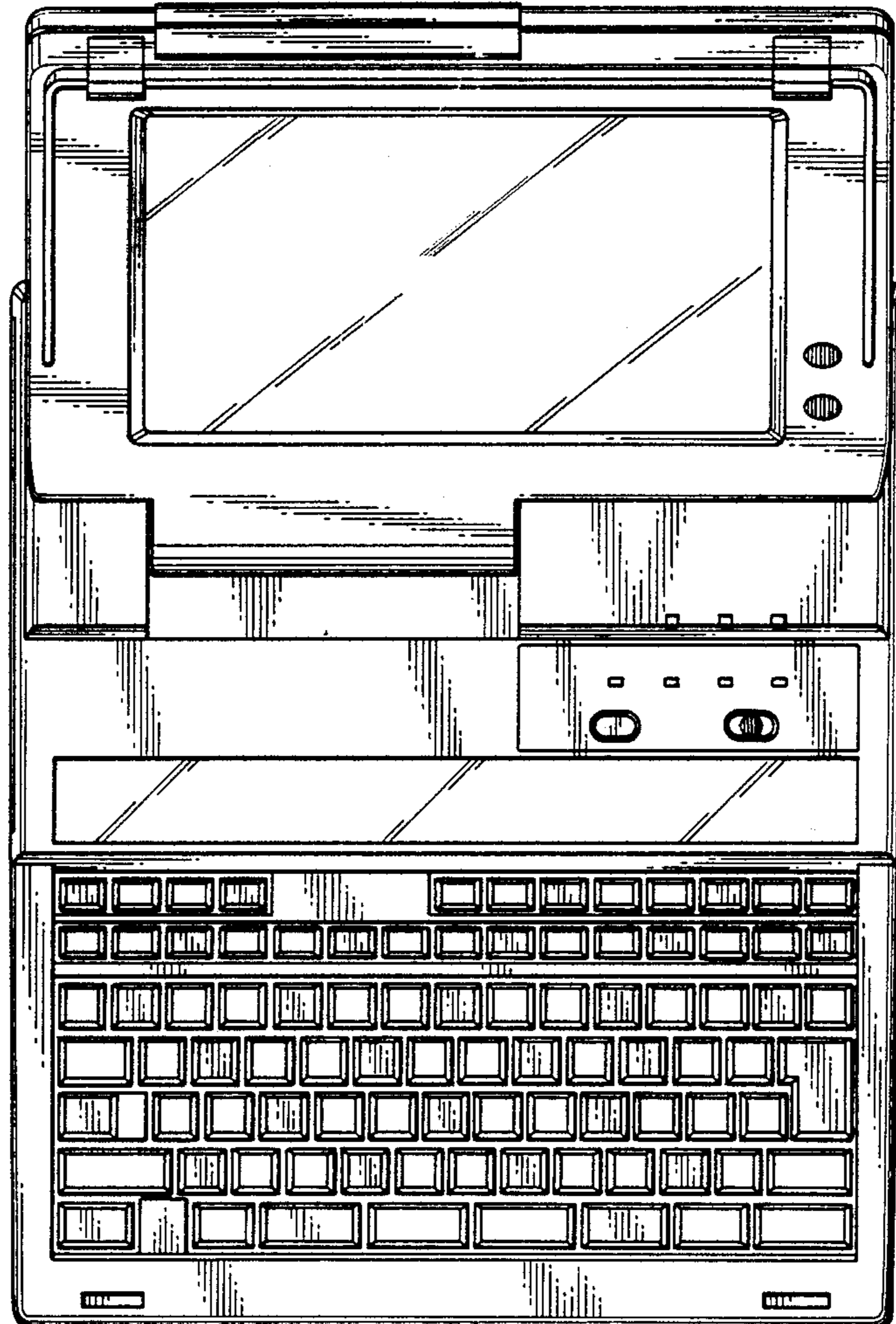


Fig. 5

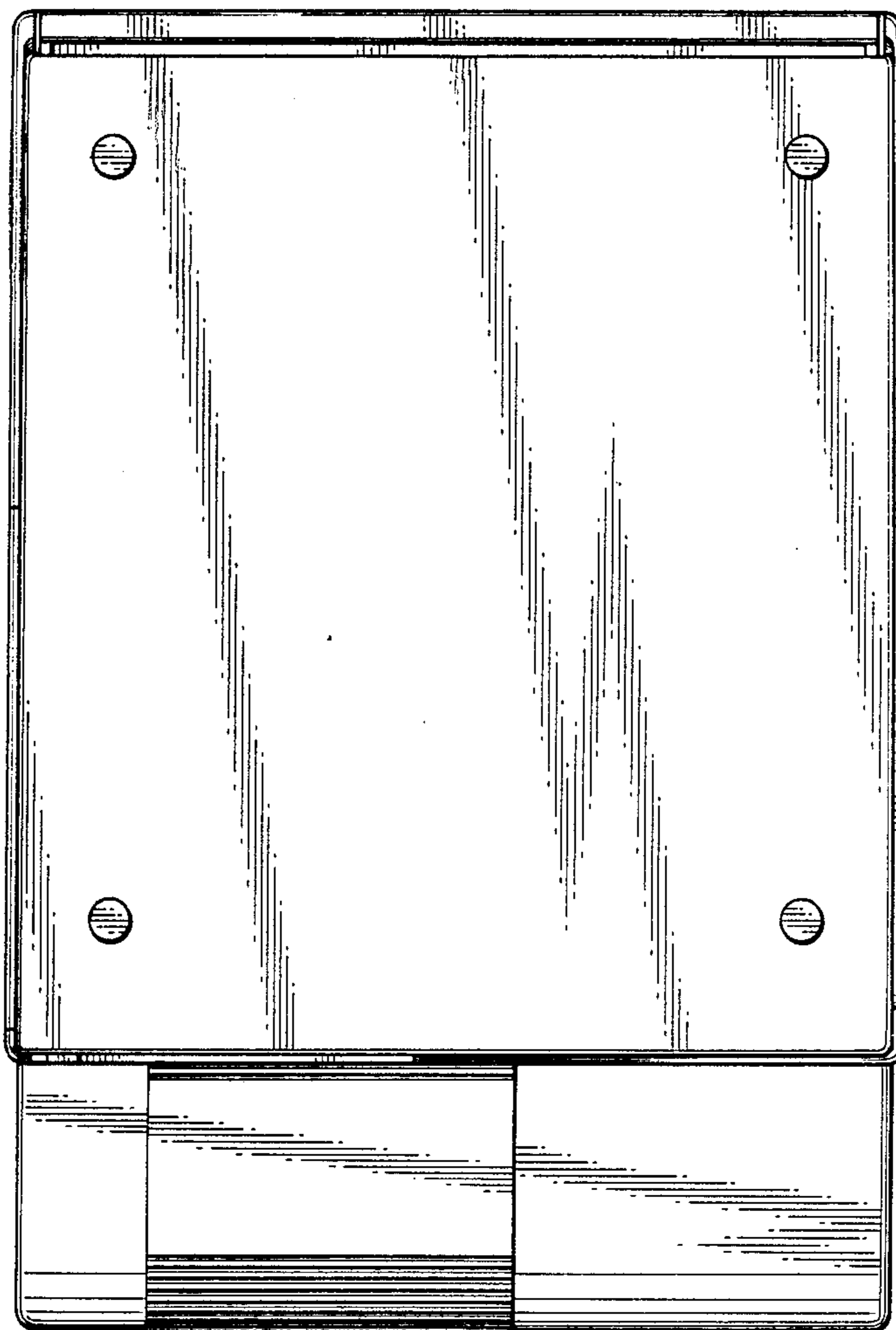


Fig. 6

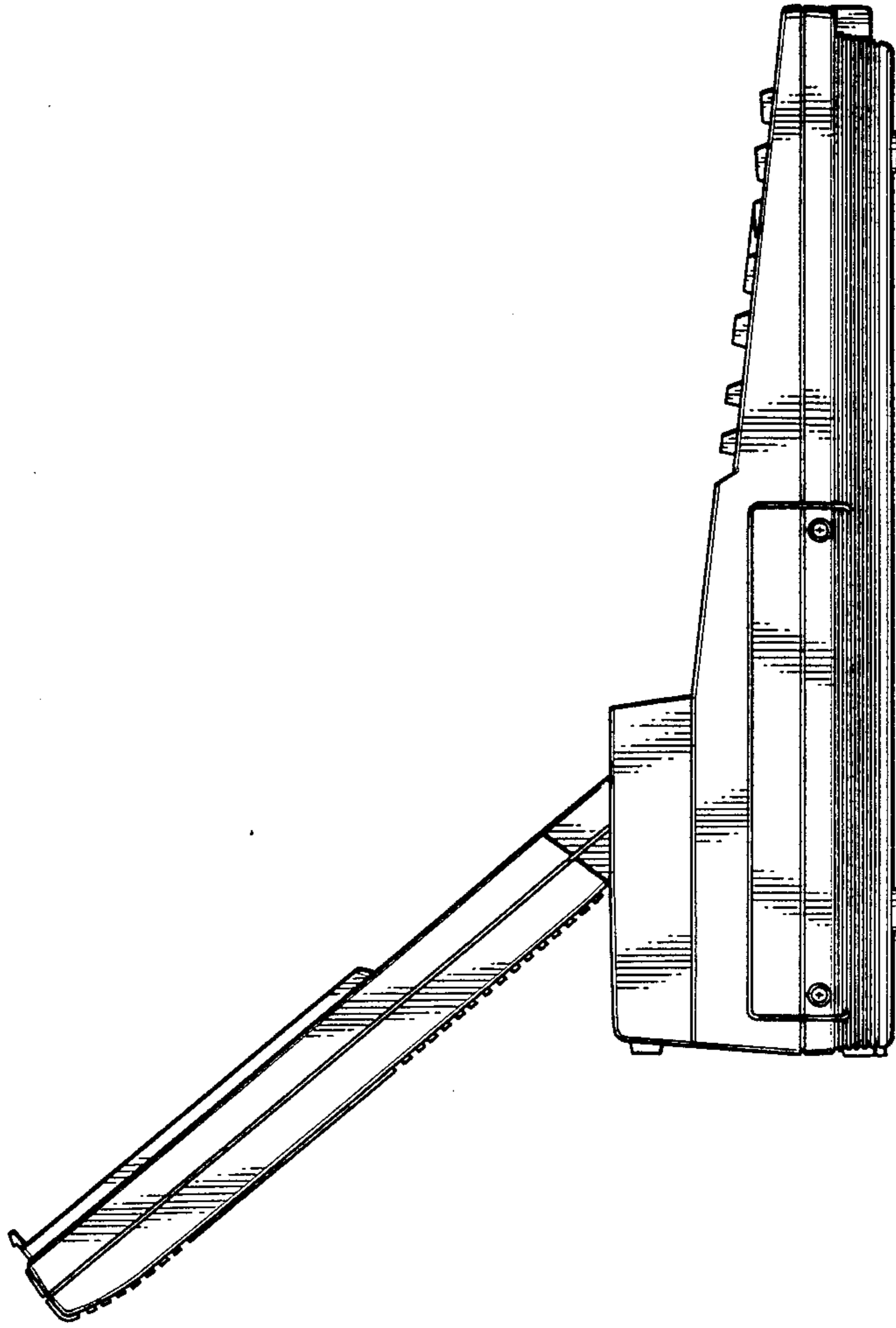


Fig. 7

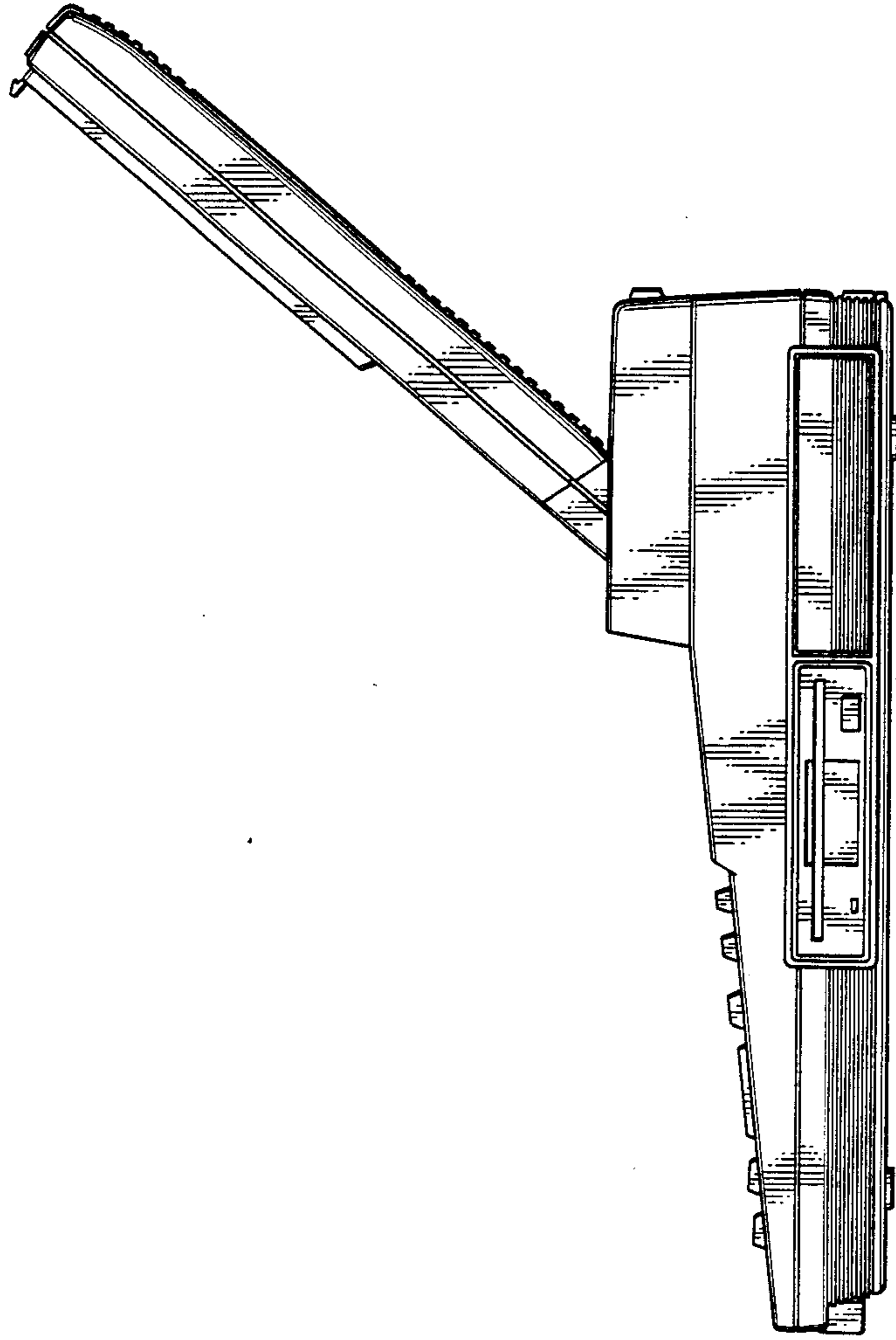


Fig. 8

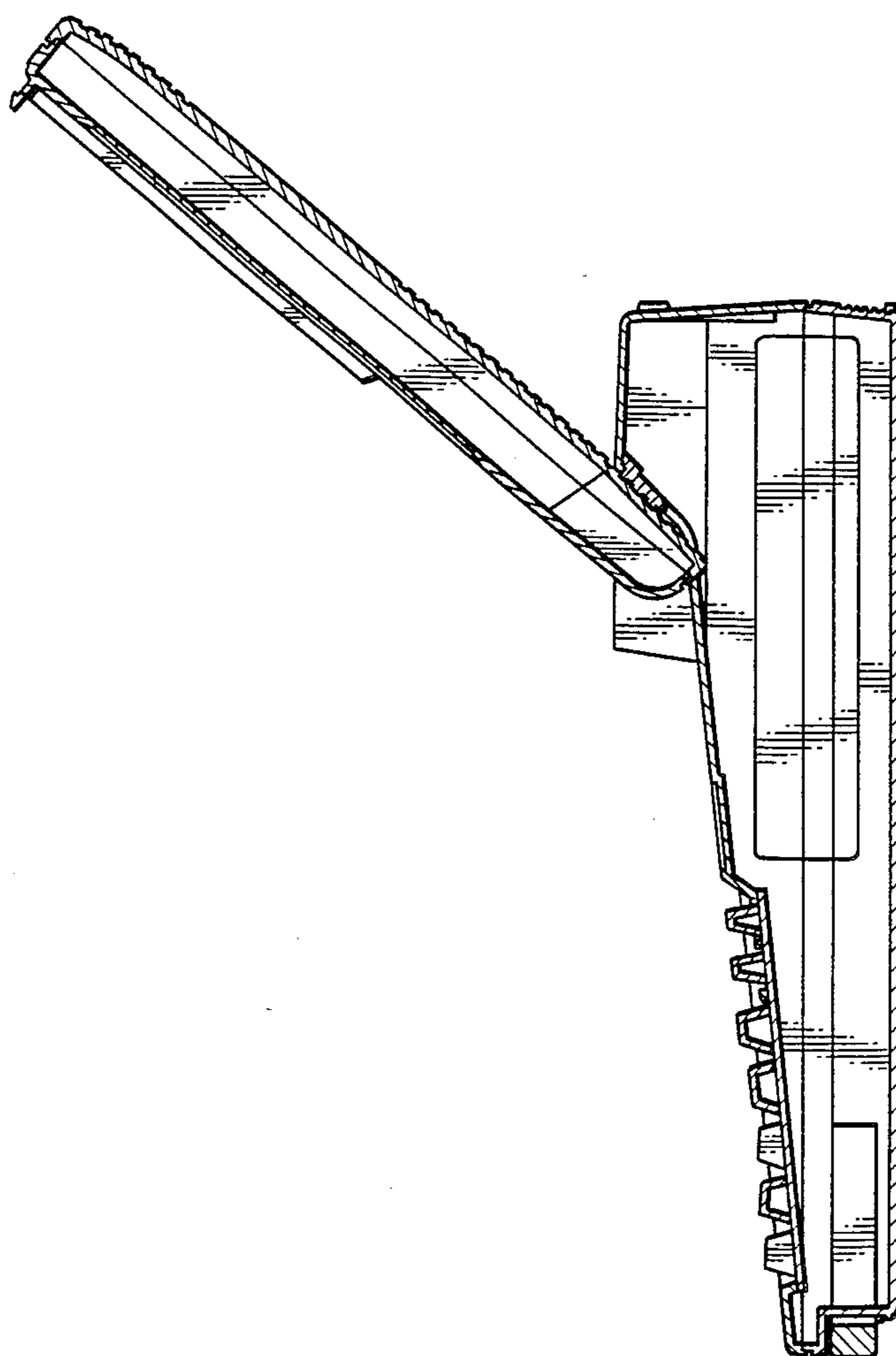


Fig. 9

