

United States Patent [19]

Simoneaux et al.

[11] Patent Number: Des. 312,247

[45] Date of Patent: ** Nov. 20, 1990

[54] ELECTRONIC CARD READER
[75] Inventors: Todd M. Simoneaux, Covington;
David M. Brunner, Abita Springs;
John W. Thompson, Covington, all of
La.

[73] Assignee: Applied Realtime Systems, Inc.,
Mandeville, La.

[**] Term: 14 Years

[21] Appl. No.: 210,778

[22] Filed: Jun. 24, 1988

[52] U.S. Cl. D14/105

[58] Field of Search D14/100, 105, 107, 114,
D14/116; 235/454, 462, 470, 471, 472, 473, 475,
479; 250/203 R, 566, 568, 569, 239; 358/408,
473, 474, 407; 354/80, 81, 82; 355/231, 233;
382/58, 59, 62, 63, 65

[56] **References Cited**

U.S. PATENT DOCUMENTS

- D. 222,471 10/1971 Shebanow et al. D14/107
- D. 225,411 12/1972 Chaffee D14/107
- D. 248,233 6/1978 Dibenedetto D14/107

- 3,706,874 12/1972 Lockard 235/473
- 3,801,776 4/1974 Goepfinger et al. 235/473
- 4,277,689 7/1981 Thomas et al. 235/482 X
- 4,396,902 8/1983 Warthan et al. 235/454 X

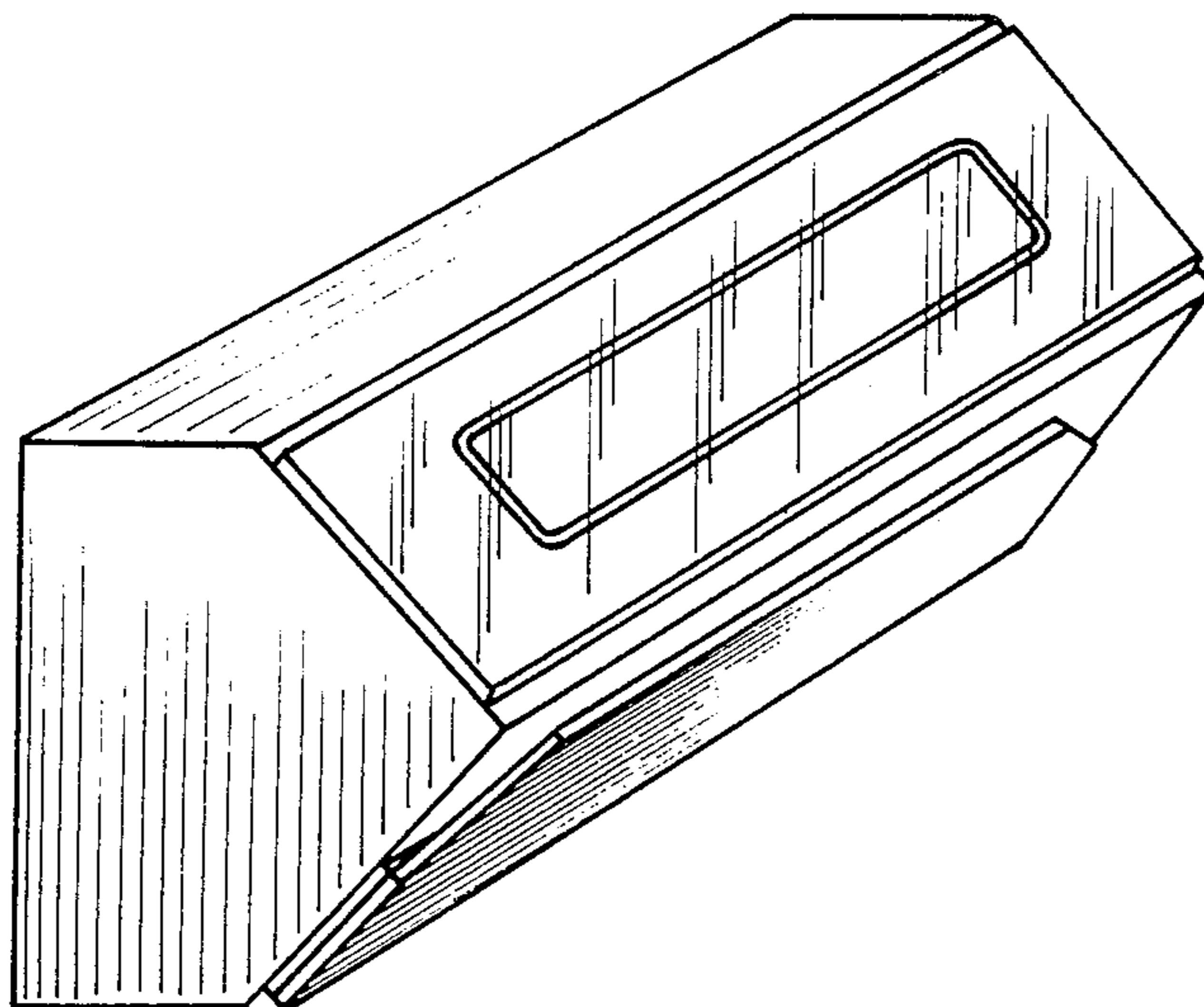
Primary Examiner—Wallace R. Burke
Assistant Examiner—Freda S. Nunn
Attorney, Agent, or Firm—Pravel, Gambrell, Hewitt,
Kimball & Krieger

[57] **CLAIM**

The ornamental design for an electronic card reader, as shown and described.

DESCRIPTION

FIG. 1 is a right end elevational view of an electronic card reader showing our new design;
FIG. 2 is a left end elevational view thereof;
FIG. 3 is an inverted perspective view wherein the right end, bottom and lower front side are disclosed;
FIG. 4 is a top, left end, upper front side perspective view thereof;
FIG. 5 is a top, left end, upper front side perspective view of a second embodiment of our design.
The undisclosed views of the second embodiment are identical to those of the first embodiment.
The rear of the housing is plain and unadorned.



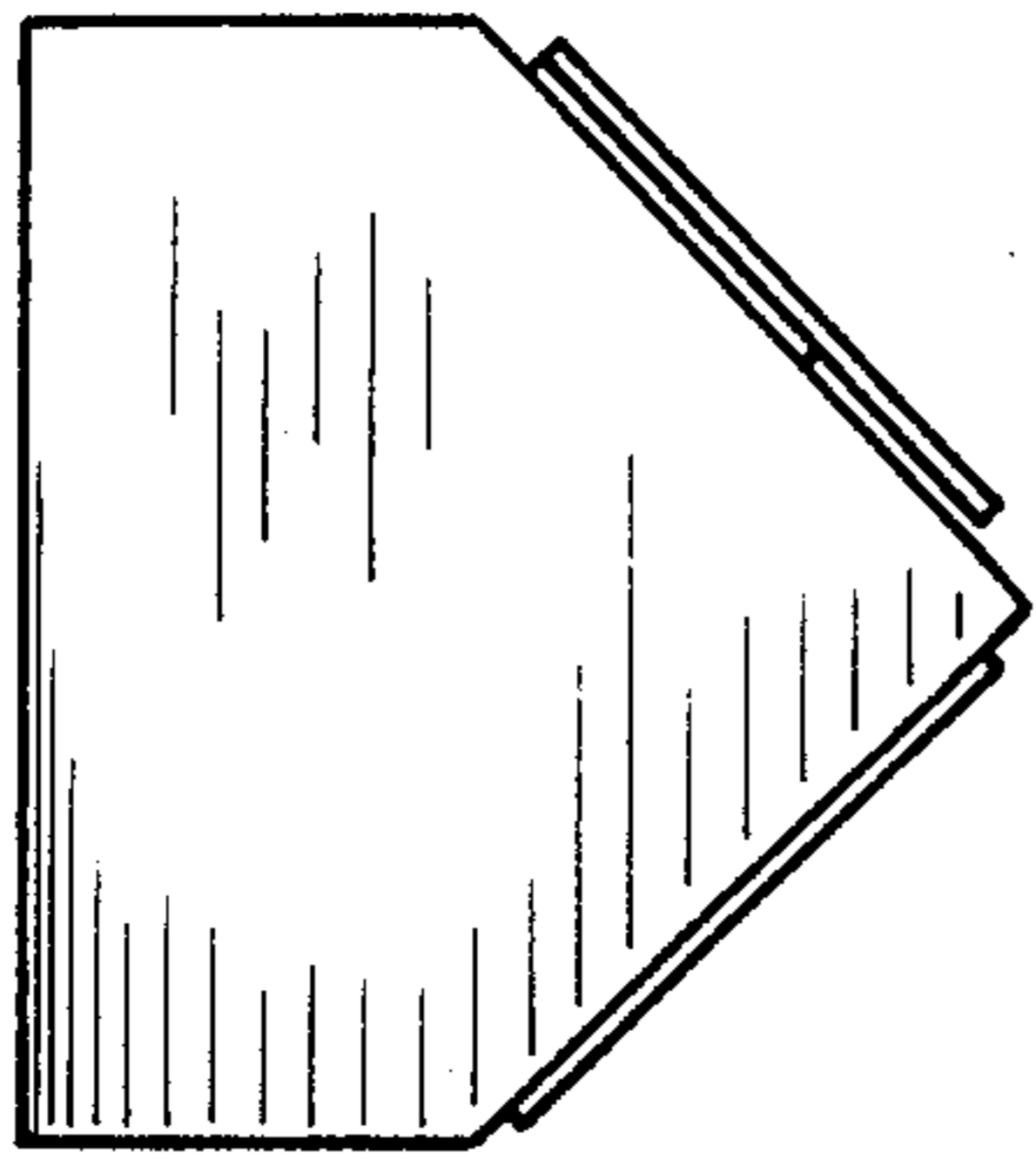


FIG. 1

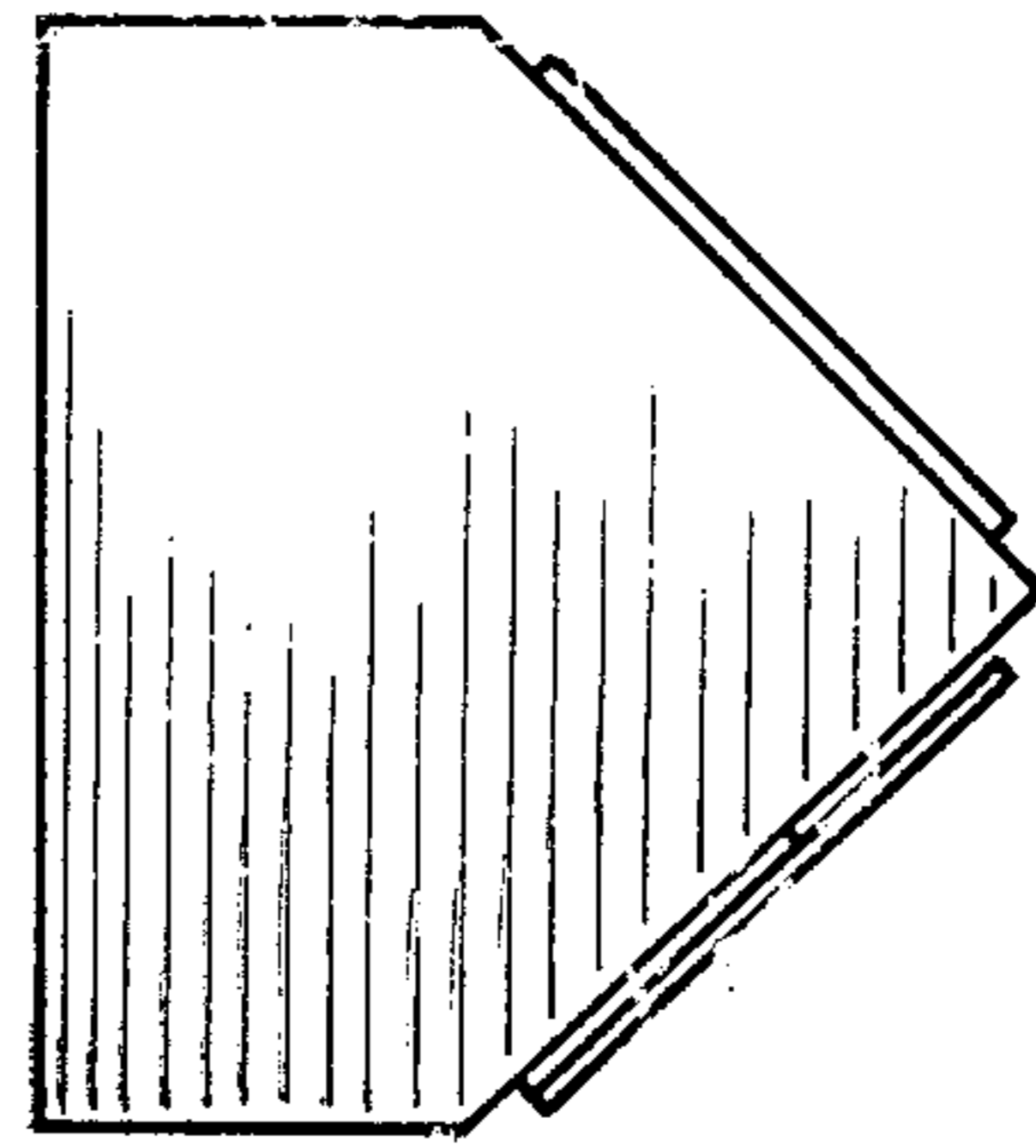


FIG. 2

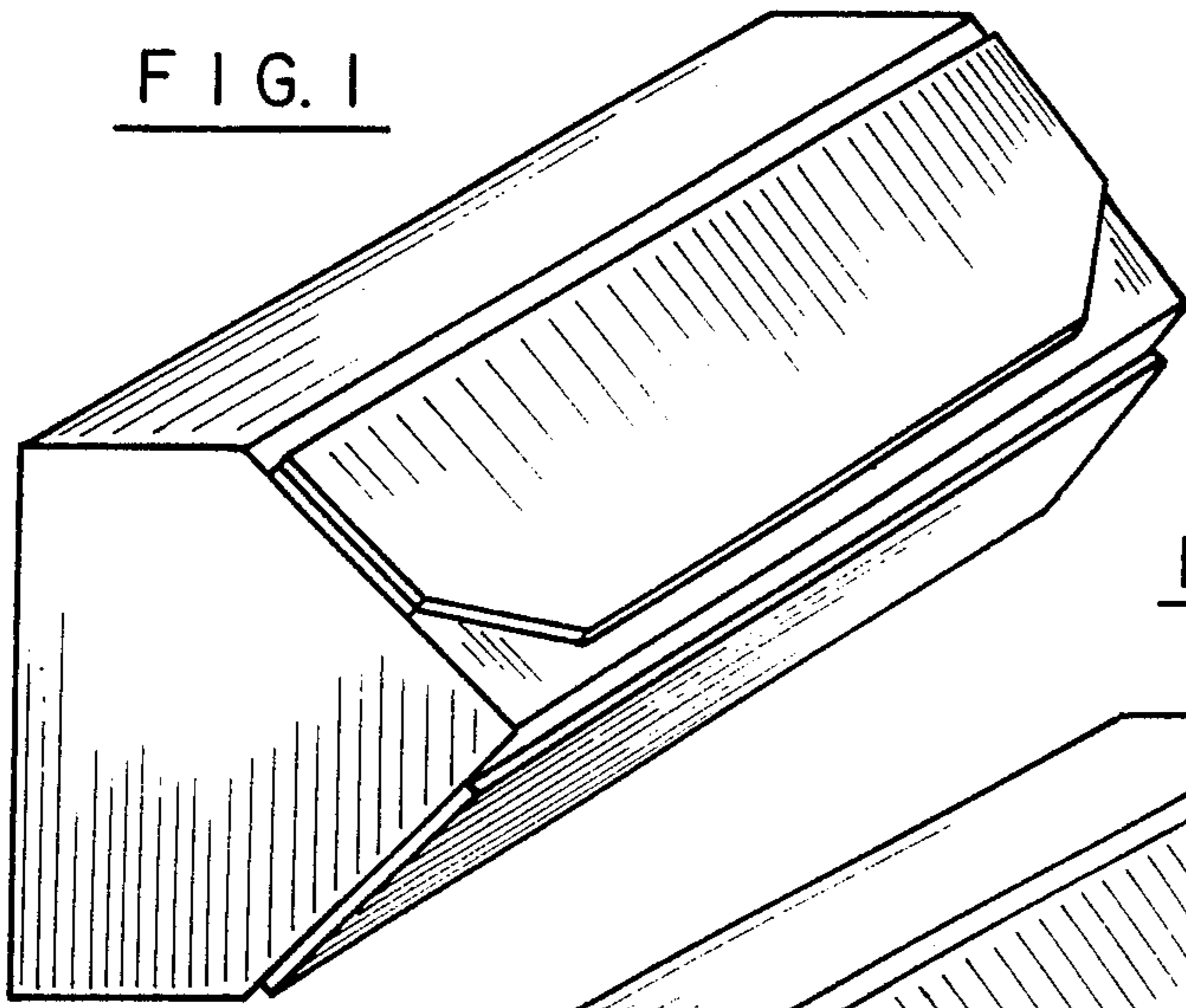


FIG. 3

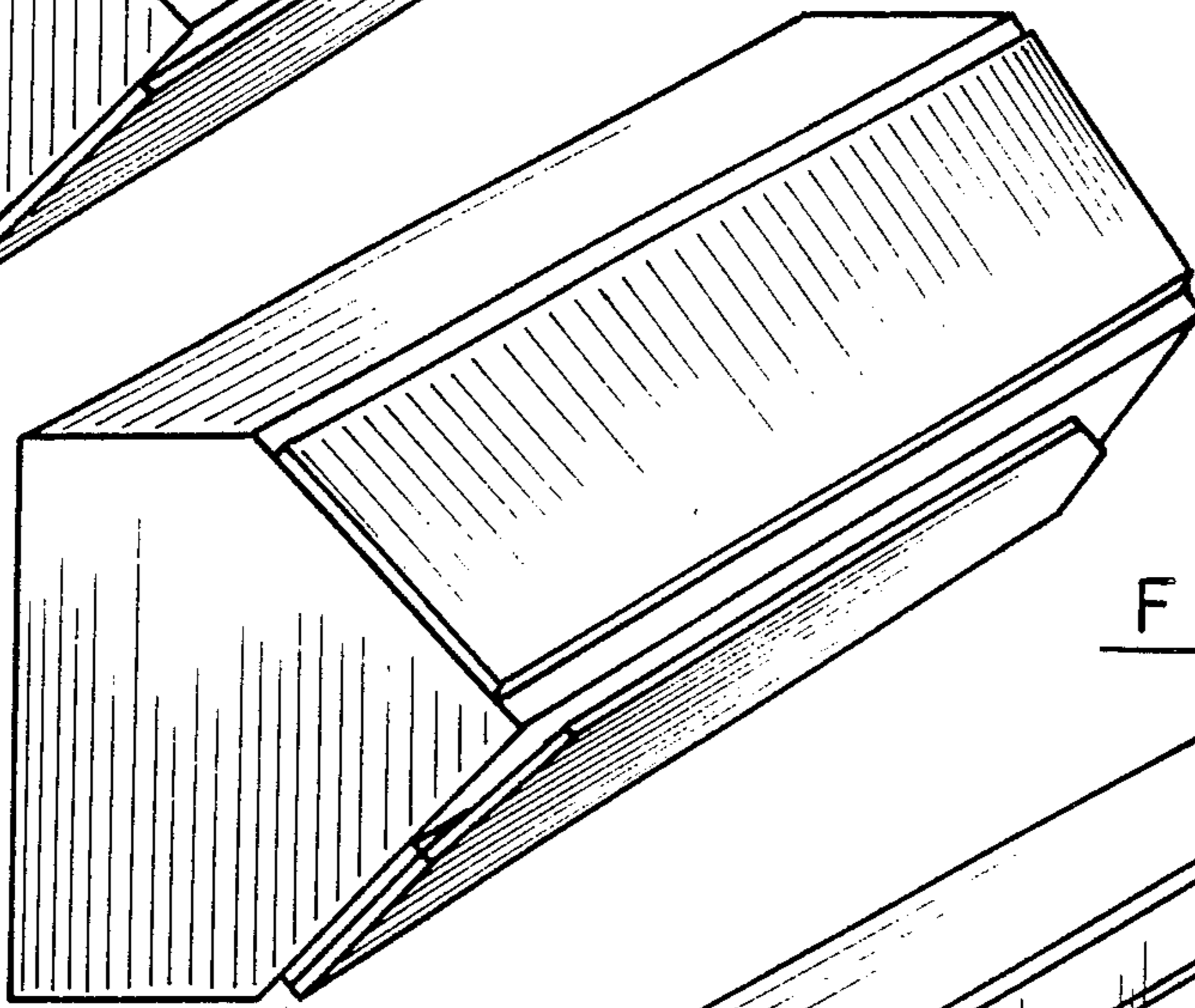


FIG. 4

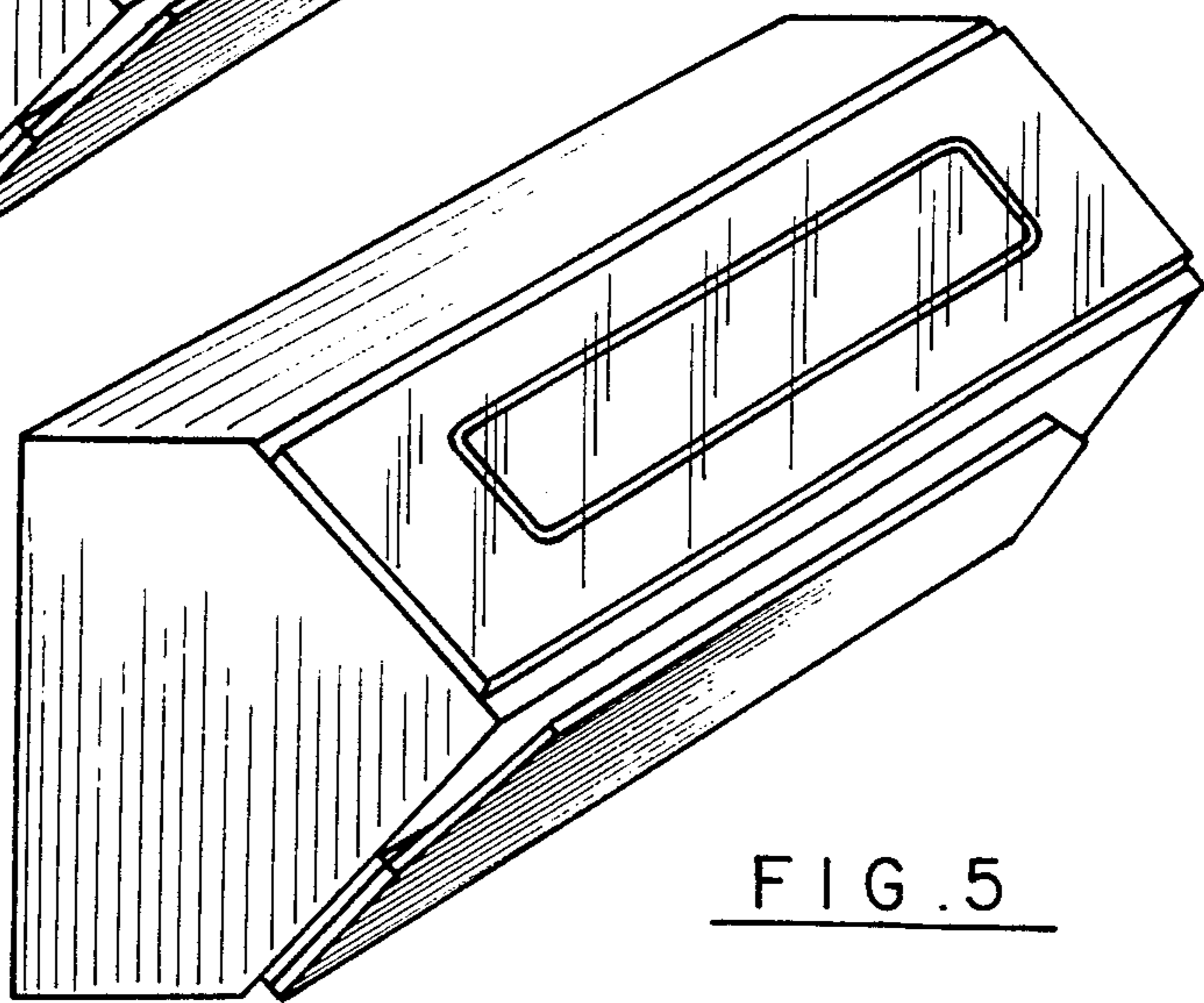


FIG. 5