

[54] VIDEO ANALYZER FOR MONITORING COMPLEX MACHINERY AND INACCESSIBLE AREAS

D. 291,936 9/1987 Long ..... D14/102 X  
3,067,930 12/1962 Jorgensen et al. .... 235/130 R

[75] Inventors: Russell Manoy, Welwyn; Nigel Goode; Henry Greaves, both of London, all of United Kingdom

[73] Assignee: Keymed (Medial & Industrial) Limited, Essex, England

[\*\*] Term: 14 Years

[21] Appl. No.: 127,008

[22] Filed: Nov. 30, 1987

[30] Foreign Application Priority Data

Jul. 30, 1987 [GB] United Kingdom ..... 1043829

[52] U.S. Cl. .... D14/100

[58] Field of Search ..... D14/100-117;  
D18/1, 7, 11, 12; D13/40, 41; 340/700, 706,  
711, 712; 341/22, 23; 358/249, 254;  
364/706-710; 400/479, 472, 485, 486; 312/208;  
235/130 R

[56] References Cited

U.S. PATENT DOCUMENTS

- D. 218,100 7/1970 Dabney ..... D14/102
- D. 219,104 11/1970 Goodrich et al. .... D14/103
- D. 232,941 9/1974 Davis, Jr. et al. .... D14/102 X
- D. 289,649 5/1987 Jablonski ..... D14/103

OTHER PUBLICATIONS

AT&T-1985, p. 1 (cover), AT&T Information Center. Intergraph Corp., 1986 (cover), Dual Screen Color Workstation.

Primary Examiner—Susan J. Lucas  
Assistant Examiner—Freda S. Nunn  
Attorney, Agent, or Firm—Beveridge, DeGrandi & Weilacher

[57] CLAIM

The ornamental design for a video analyzer for monitoring complex machinery and inaccessible areas, as shown and described.

DESCRIPTION

FIG. 1 is a top, front, right side perspective view of a video analyzer for monitoring complex machinery and inaccessible areas in the open condition showing our new design;

FIG. 2 is a top, front, right side perspective view thereof;

FIG. 3 is a right side elevational view thereof;

FIG. 4 is a left side elevational view thereof;

FIG. 5 is a top plan view thereof;

FIG. 6 is a bottom plan view thereof;

FIG. 7 is a front elevational view thereof;

FIG. 8 is a rear elevational view thereof.

The monitor is shown in the closed condition in FIG. 2.

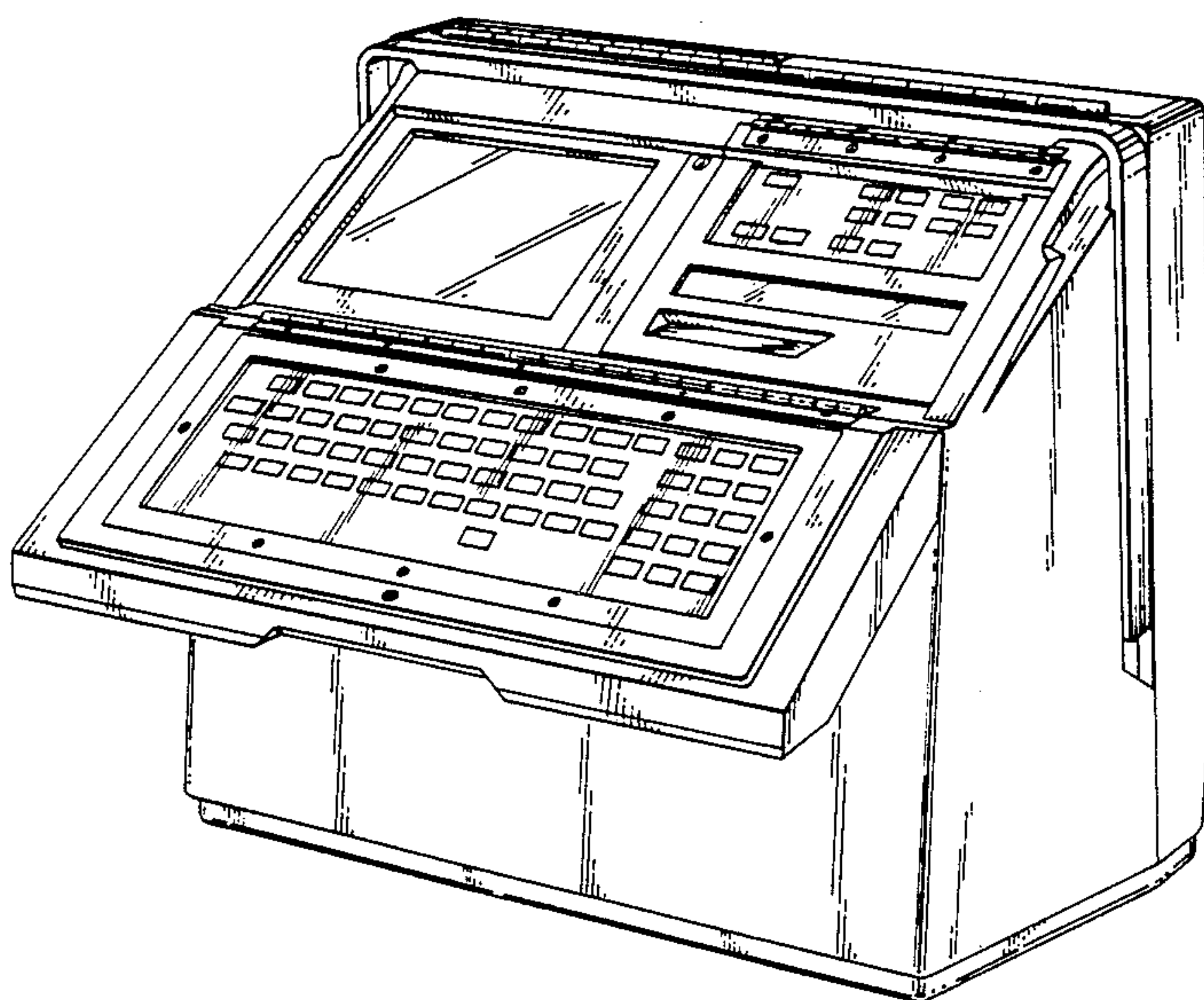


FIG. 1.

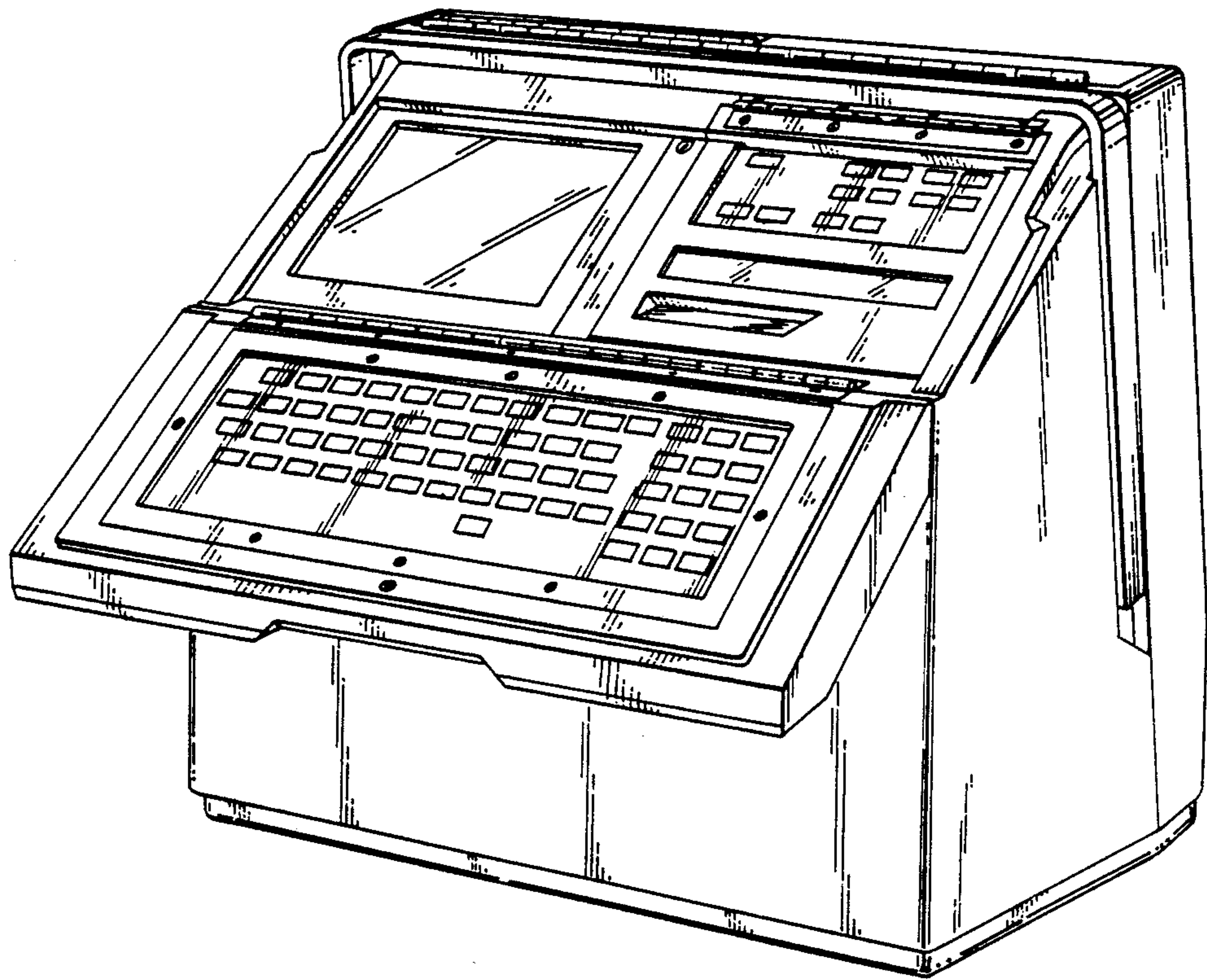


FIG. 2.

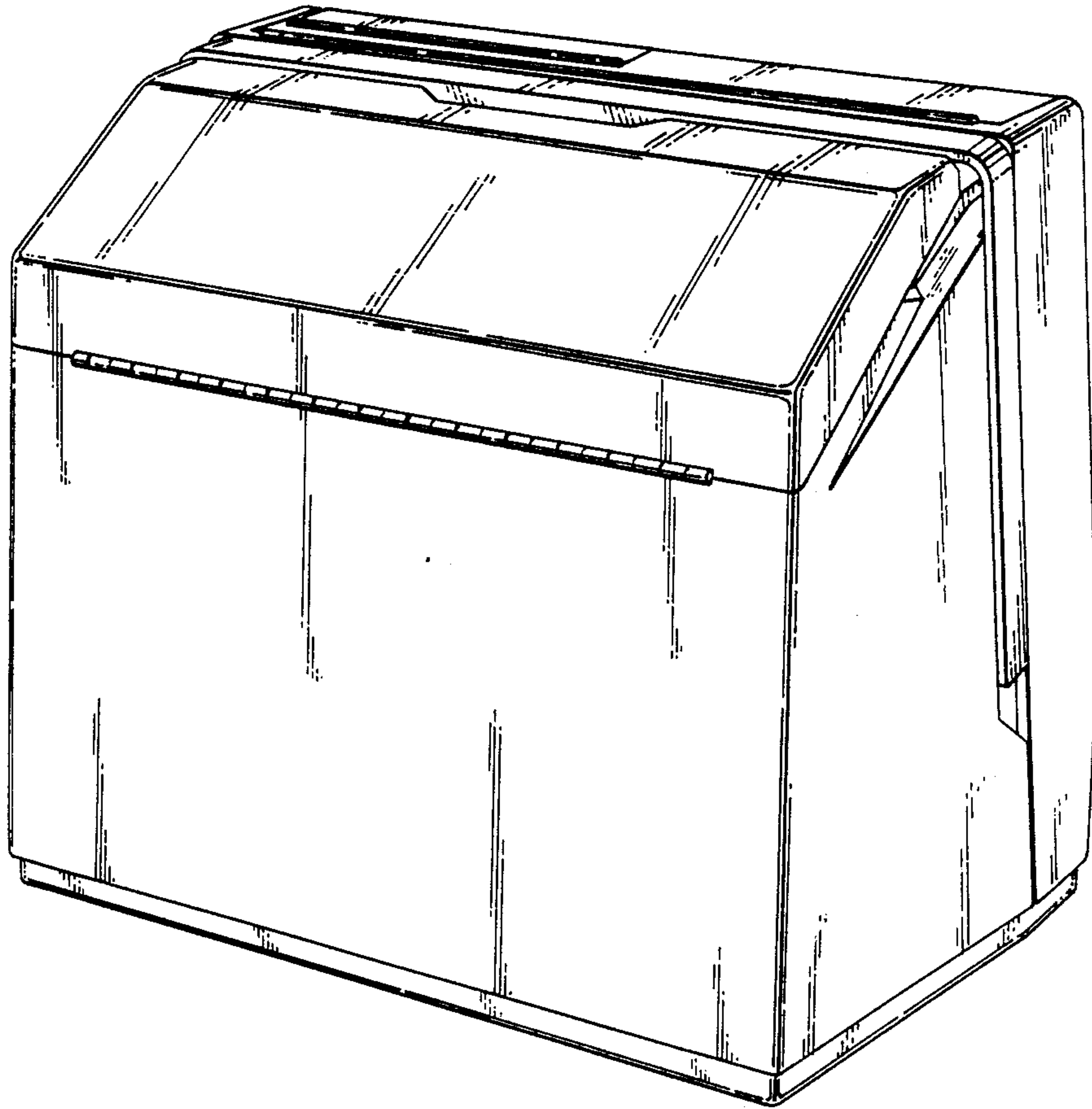


FIG. 3.

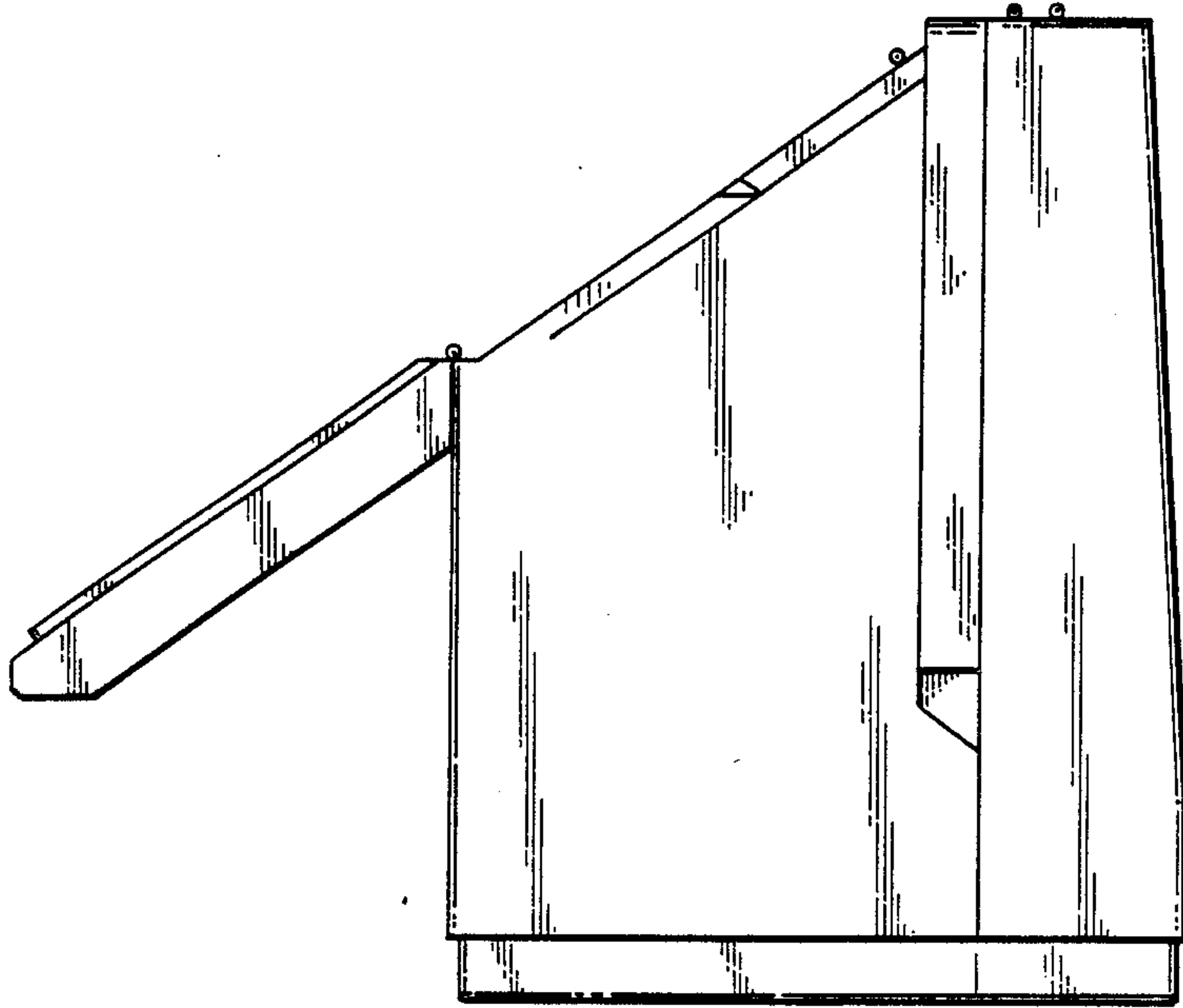


FIG. 4.

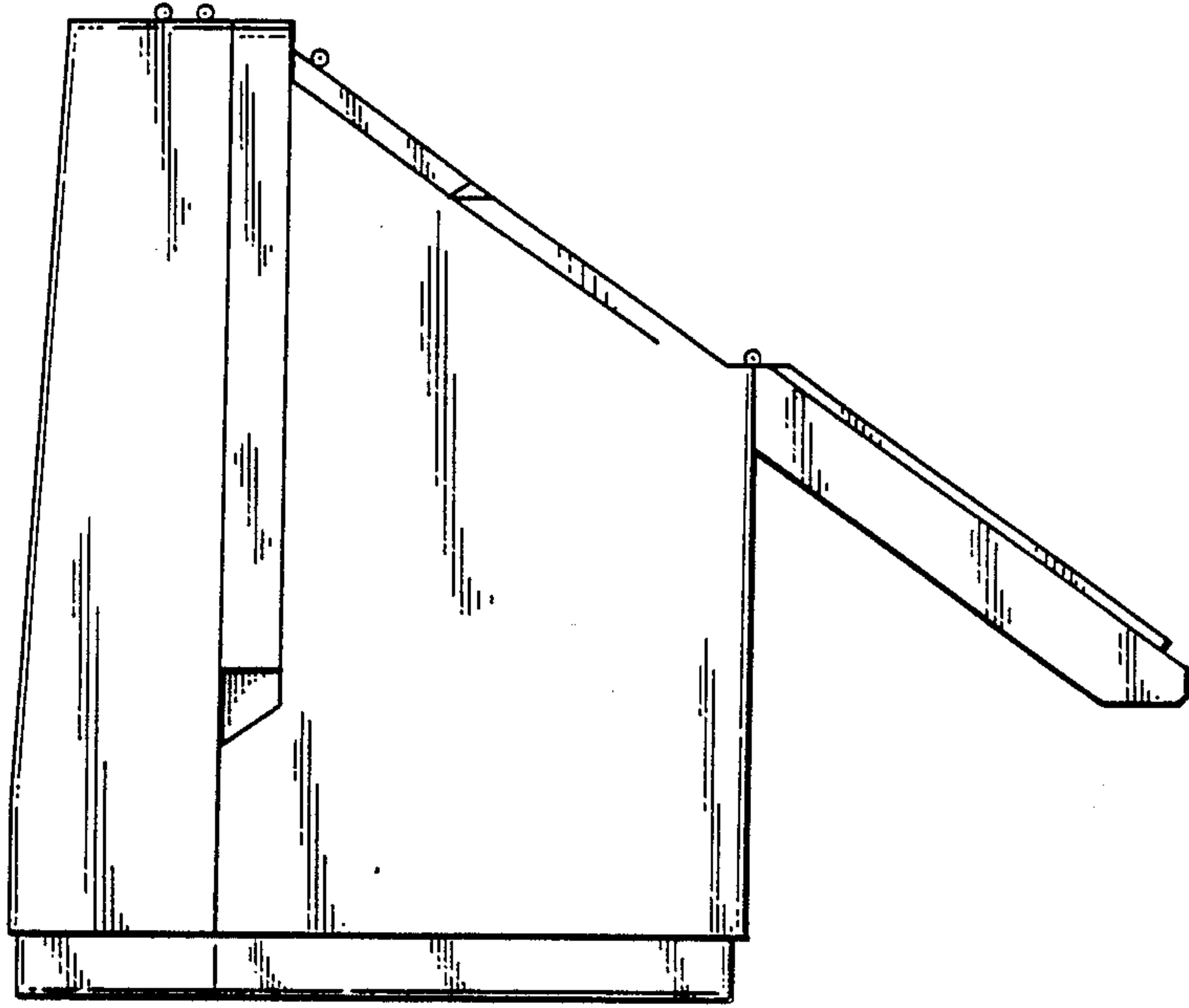
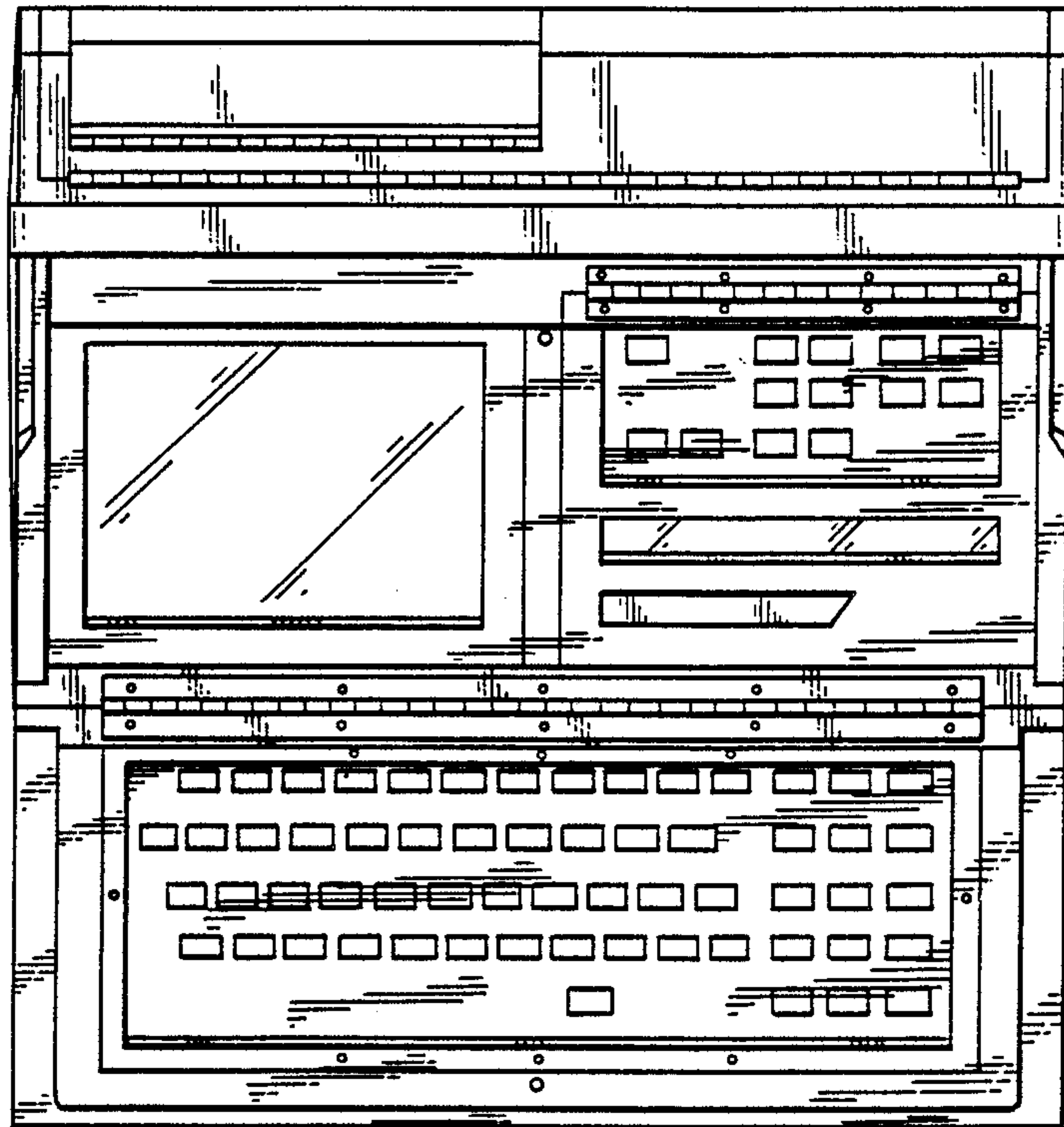




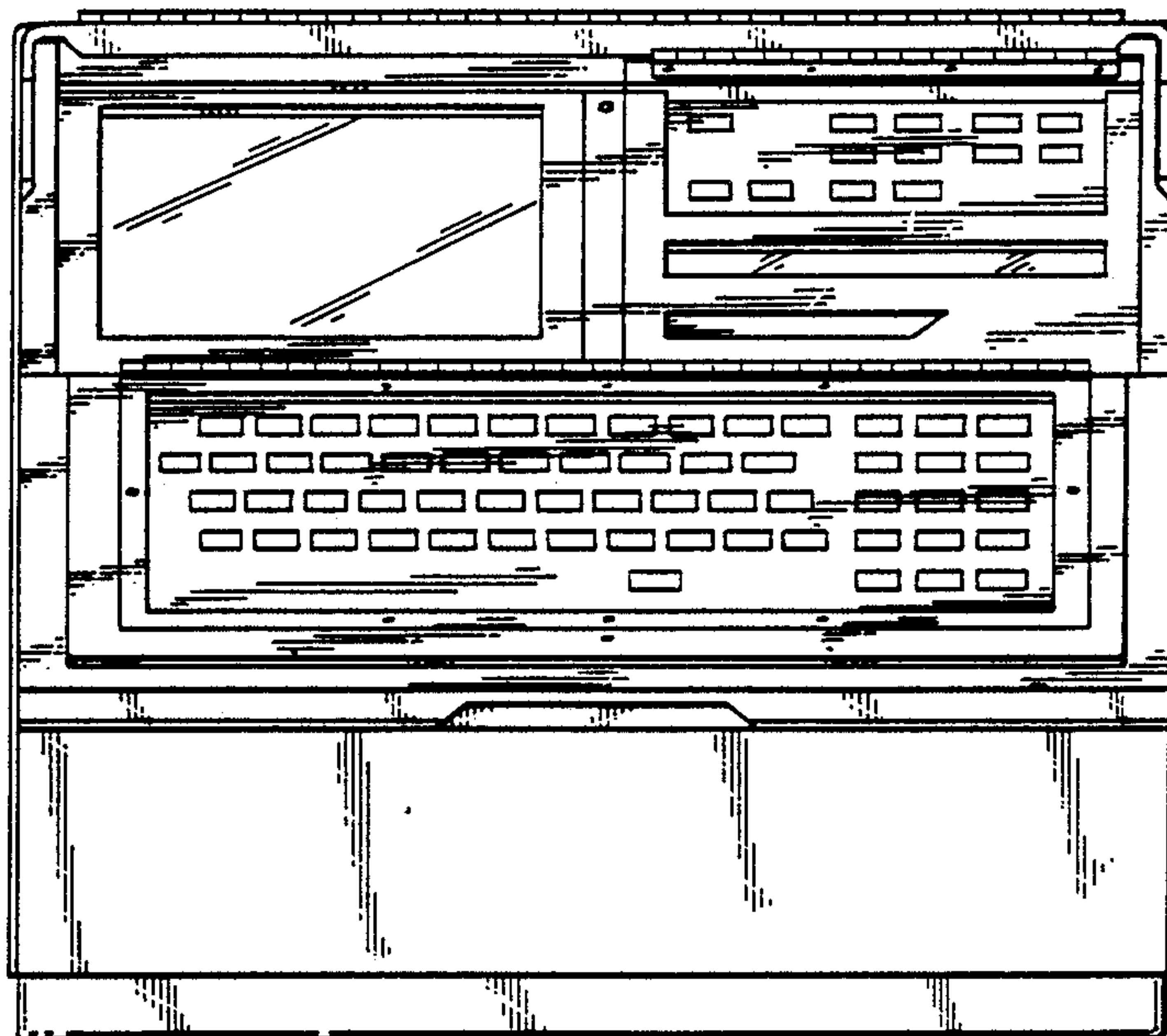
FIG. 5.



*FIG. 6.*



FIG. 7.





*FIG. 8.*

