

[54] ENCLOSURE FOR AN ELECTRICAL PROTECTOR AND TERMINAL BLOCK

[75] Inventors: Thomas J. Collins, Wall; Thomas G. Graham, Ocean; Victor P. Kaminski, Watchung; Theodore M. Monette, Trenton, all of N.J.

[73] Assignee: Keptel, Inc., Tinton Falls, N.J.

[**] Term: 14 Years

[21] Appl. No.: 174,331

[22] Filed: Mar. 28, 1988

[52] U.S. Cl. D13/152; D13/184; D14/240

[58] Field of Search D13/13, 35, 40, 31; D14/240; 174/50, 52.1, 59; 220/4 R, 4 B, 4 E, 3.8; 379/397, 399; 439/135, 136, 718

[56] References Cited

FOREIGN PATENT DOCUMENTS

0829001 1/1952 Fed. Rep. of Germany 174/52.1

OTHER PUBLICATIONS

Enclosures on pp. 5, 34, 57 of *Electrical Construction and Maintenance*, Feb. 1985.

Primary Examiner—Susan J. Lucas
Assistant Examiner—Joel Sincavage
Attorney, Agent, or Firm—R. Gale Rhodes, Jr.

[57] CLAIM

The ornamental design for an enclosure for an electrical protector and terminal block, as shown and described.

DESCRIPTION

FIG. 1 is a front elevational view of a enclosure for an electrical protector and terminal block according to our new design showing the electrical protector and terminal block in its closed condition;

FIG. 2 is a bottom plan view thereof;

FIG. 3 is a rear elevational view thereof;

FIG. 4 is a top plan view thereof;

FIG. 5 is a right end elevational view thereof;

FIG. 6 is a left end elevational view thereof;

FIG. 7 is a front perspective view showing the enclosure for an electrical protector and terminal block in its fully opened condition with a protector installed therein;

FIG. 8 is a front perspective view showing the enclosure for an electrical protector and terminal block in its fully open condition with the terminal block installed therein. The terminal block shown in broken lines is for illustrative purposes only and forms no part of the claimed design;

FIG. 9 is a front, top and left end perspective view of the enclosure for an electrical protector and terminal block in its closed condition on an enlarged scale;

FIG. 10 is a rear, top and right end perspective view thereof; and

FIG. 11 is a perspective view of the enclosure for an electrical protector and terminal block in the open position showing the inside of the bottom and right end surfaces as seen on a reduced scale.

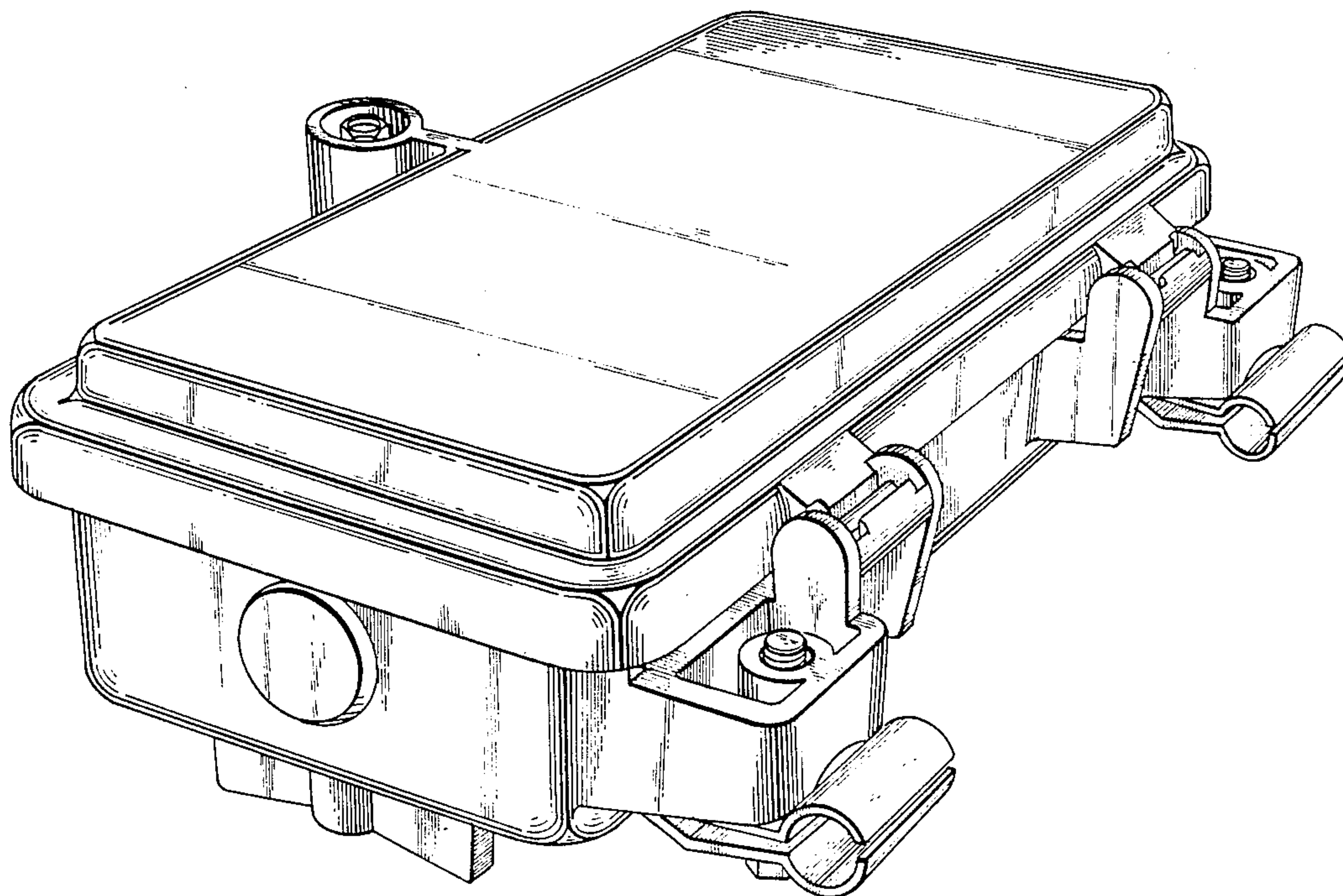


FIG. 1

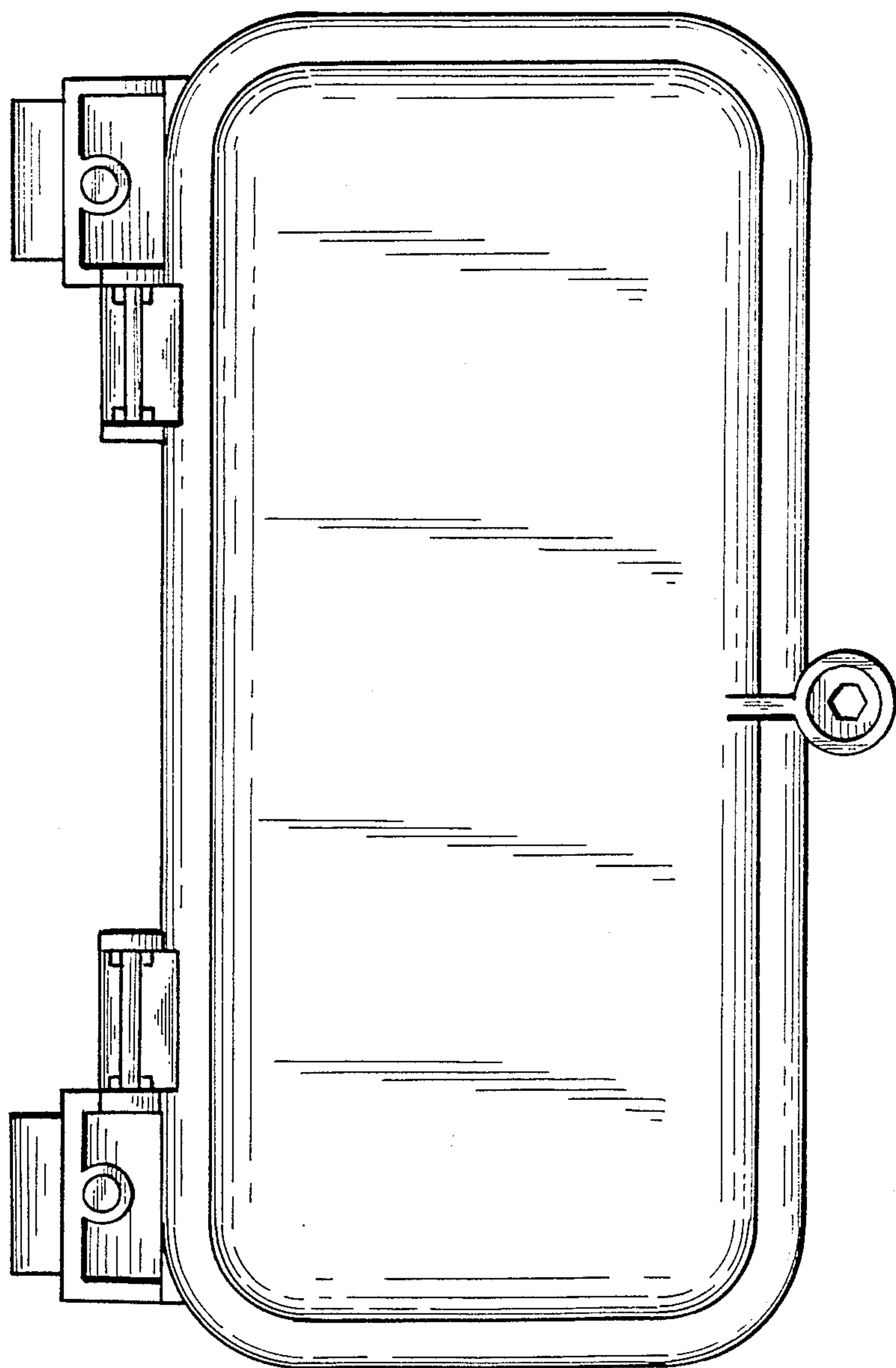


FIG. 2

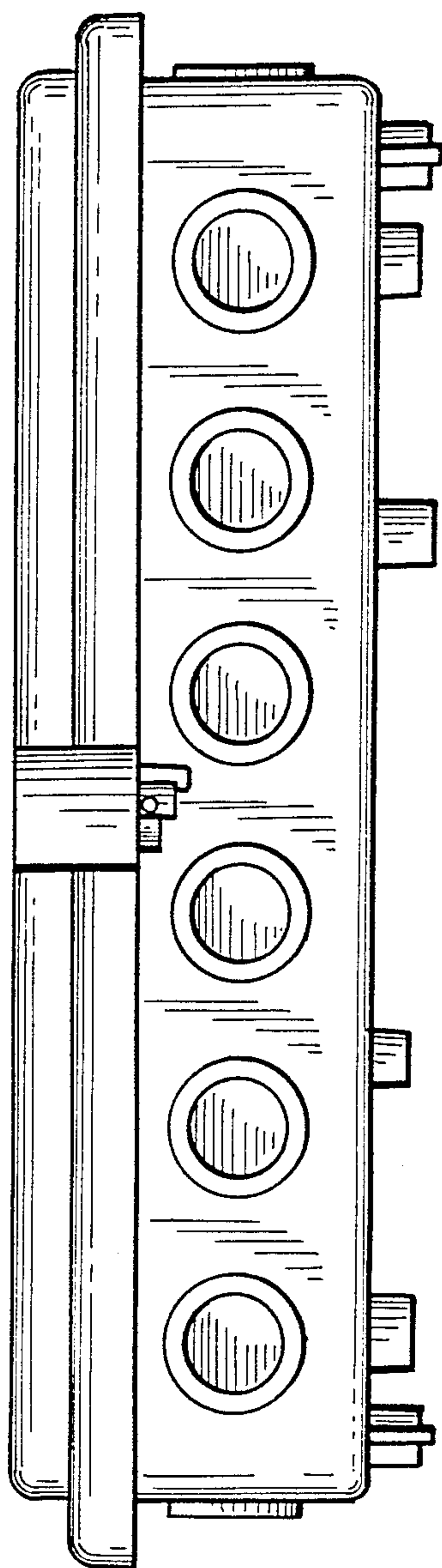


FIG. 4

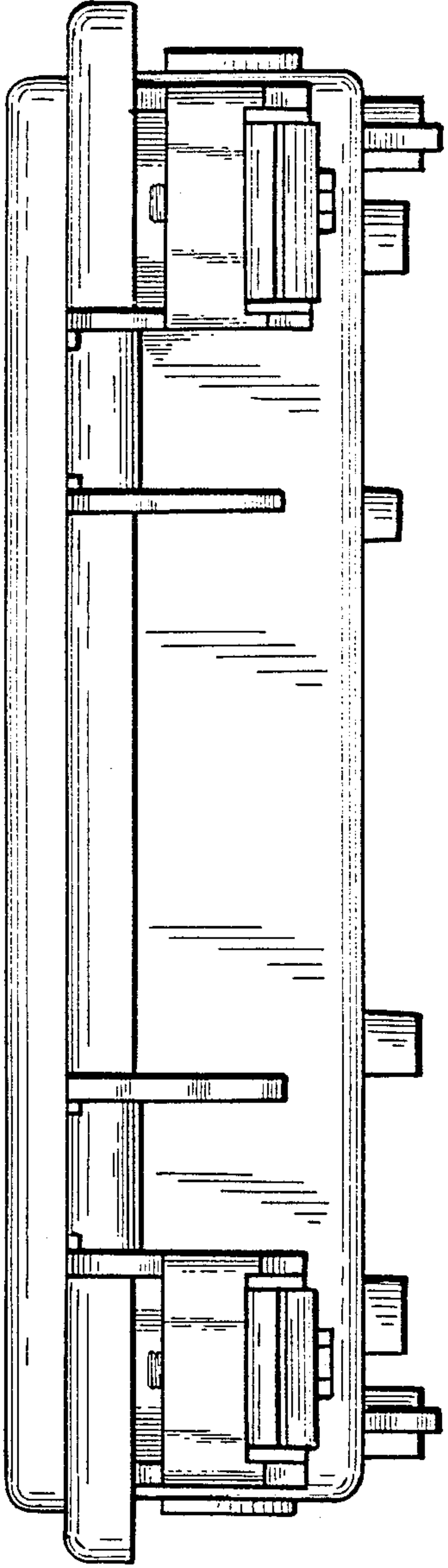


FIG. 3

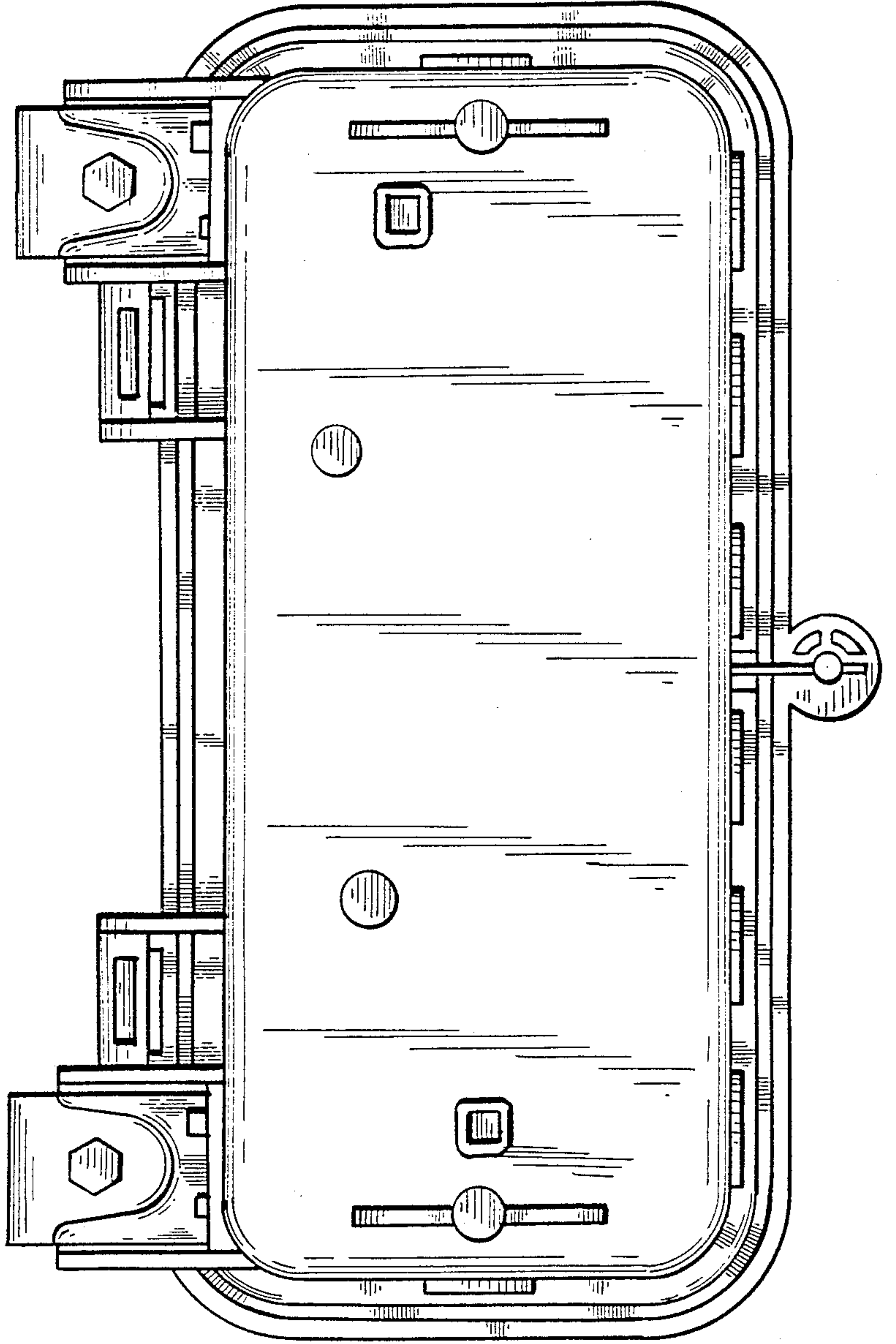


FIG. 5

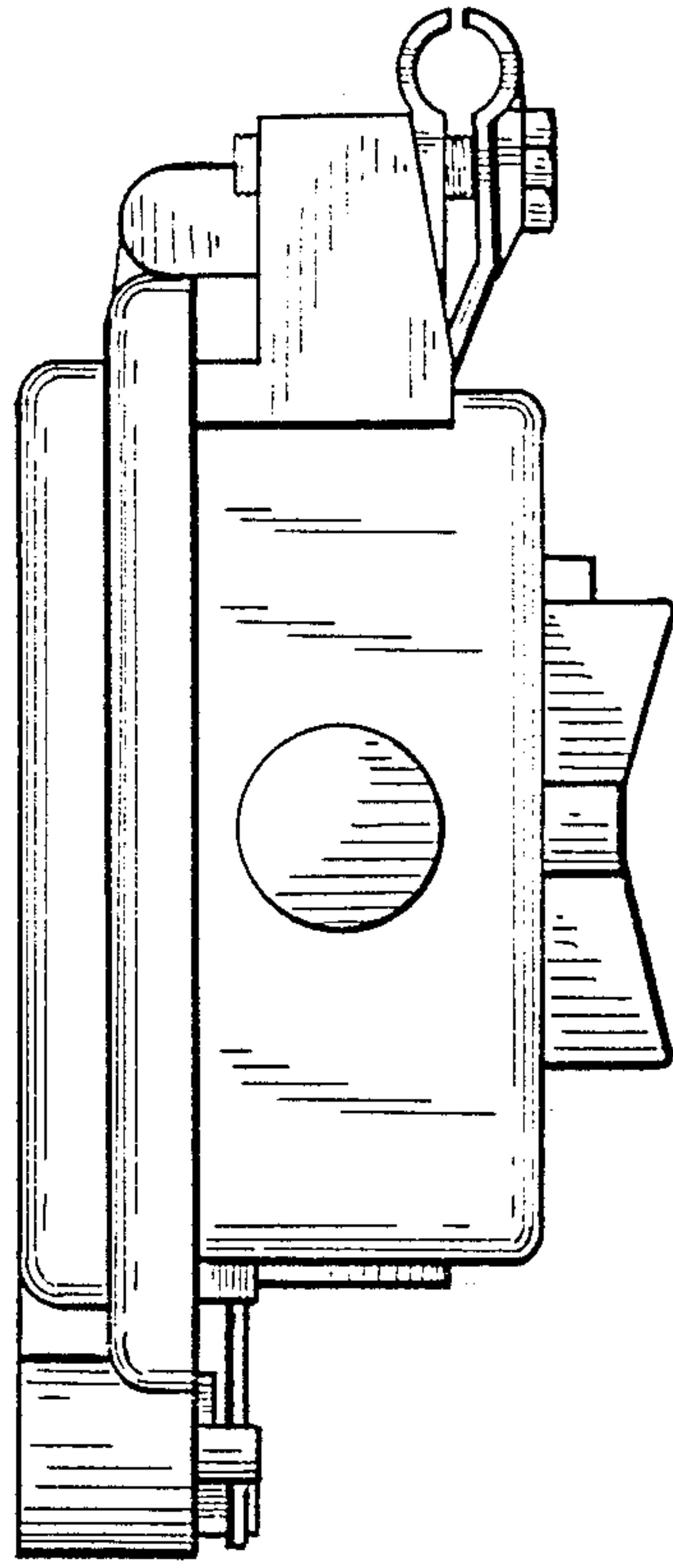
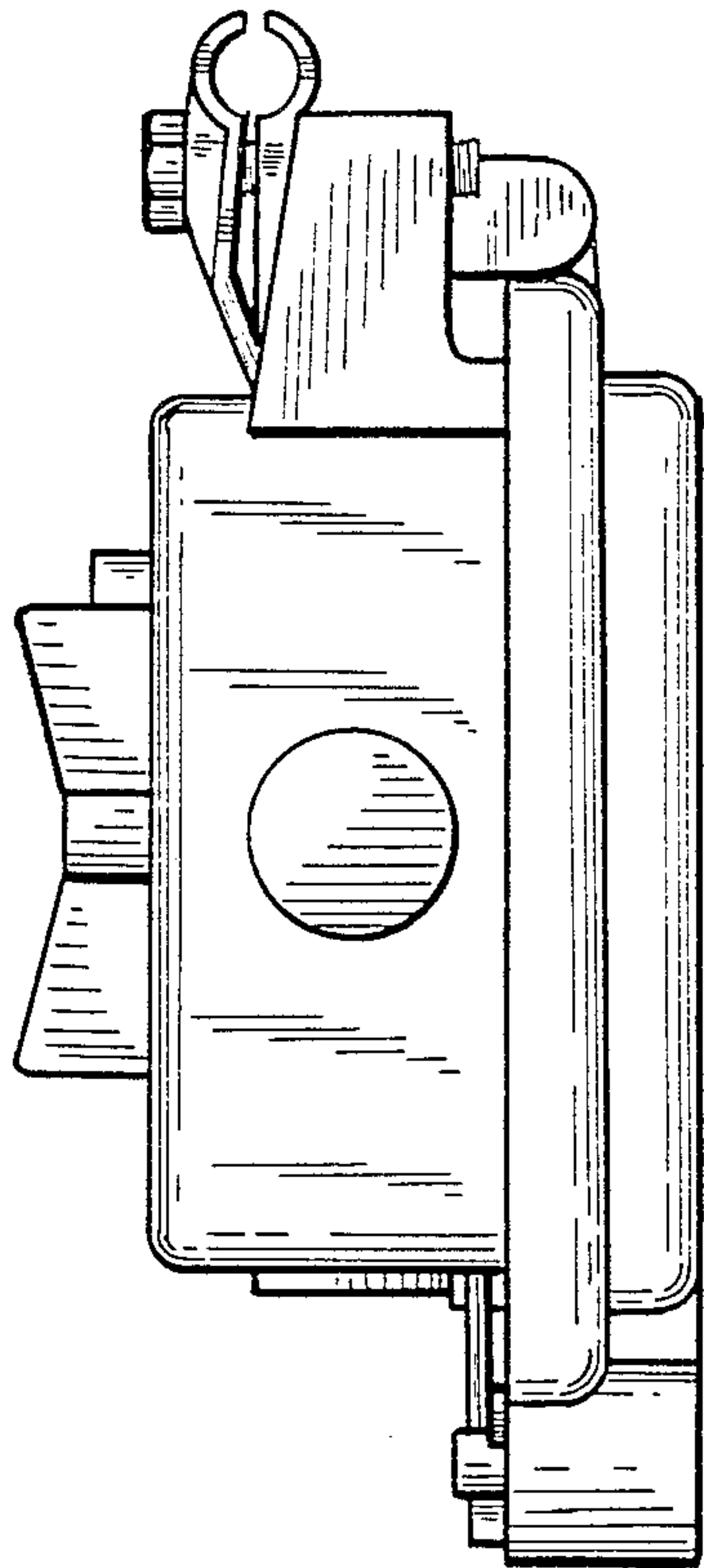


FIG. 6



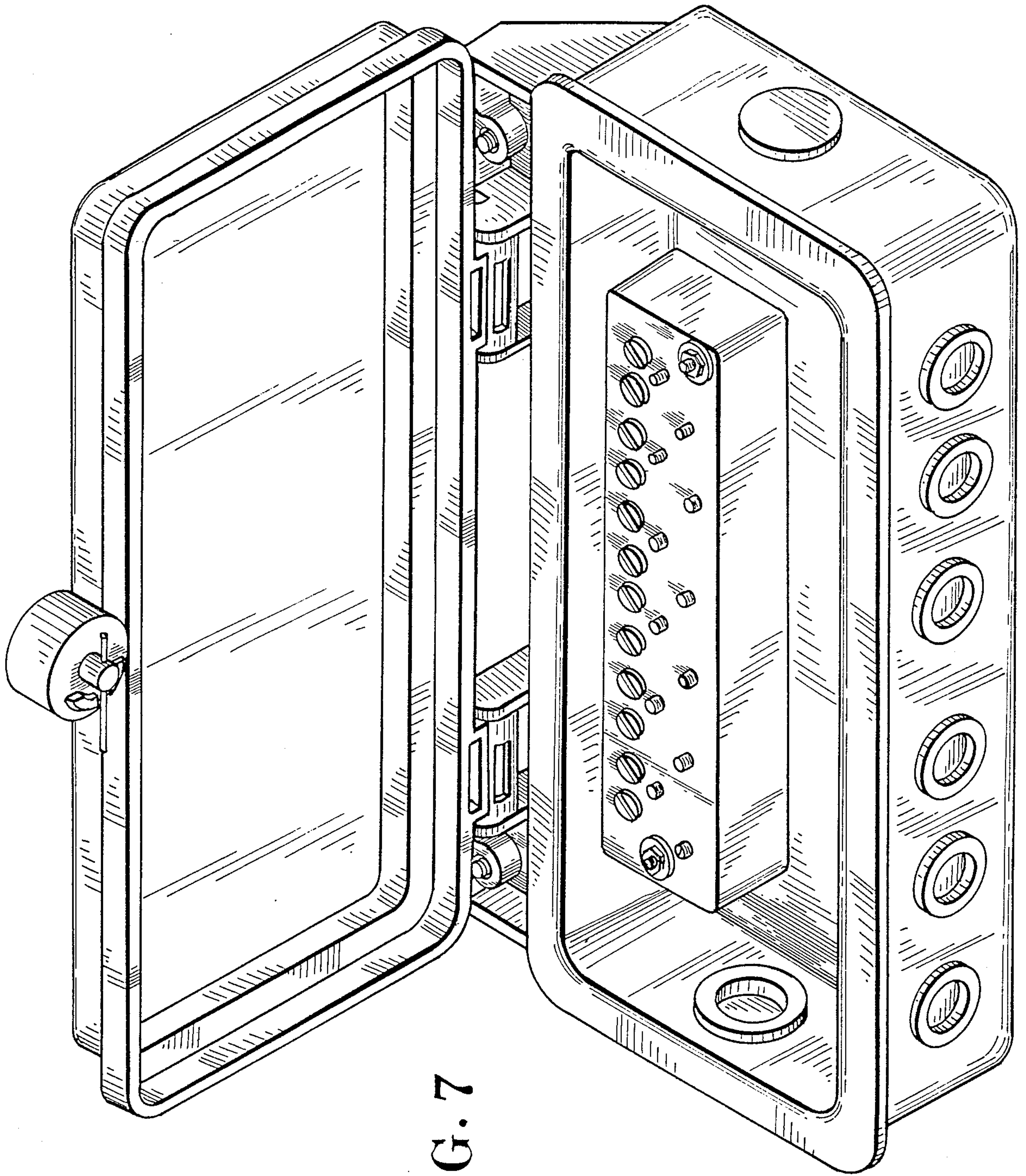
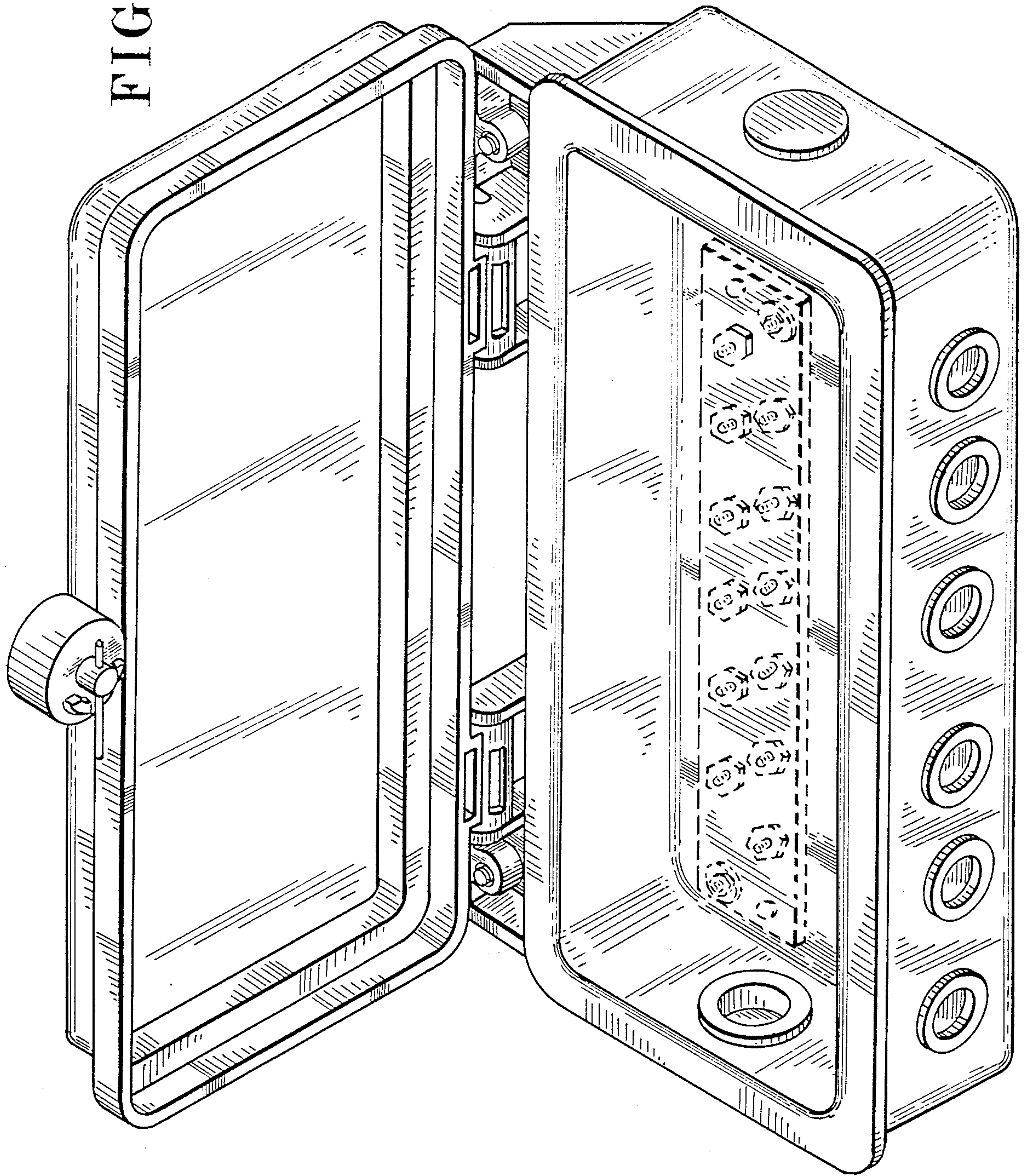


FIG. 7

FIG. 8



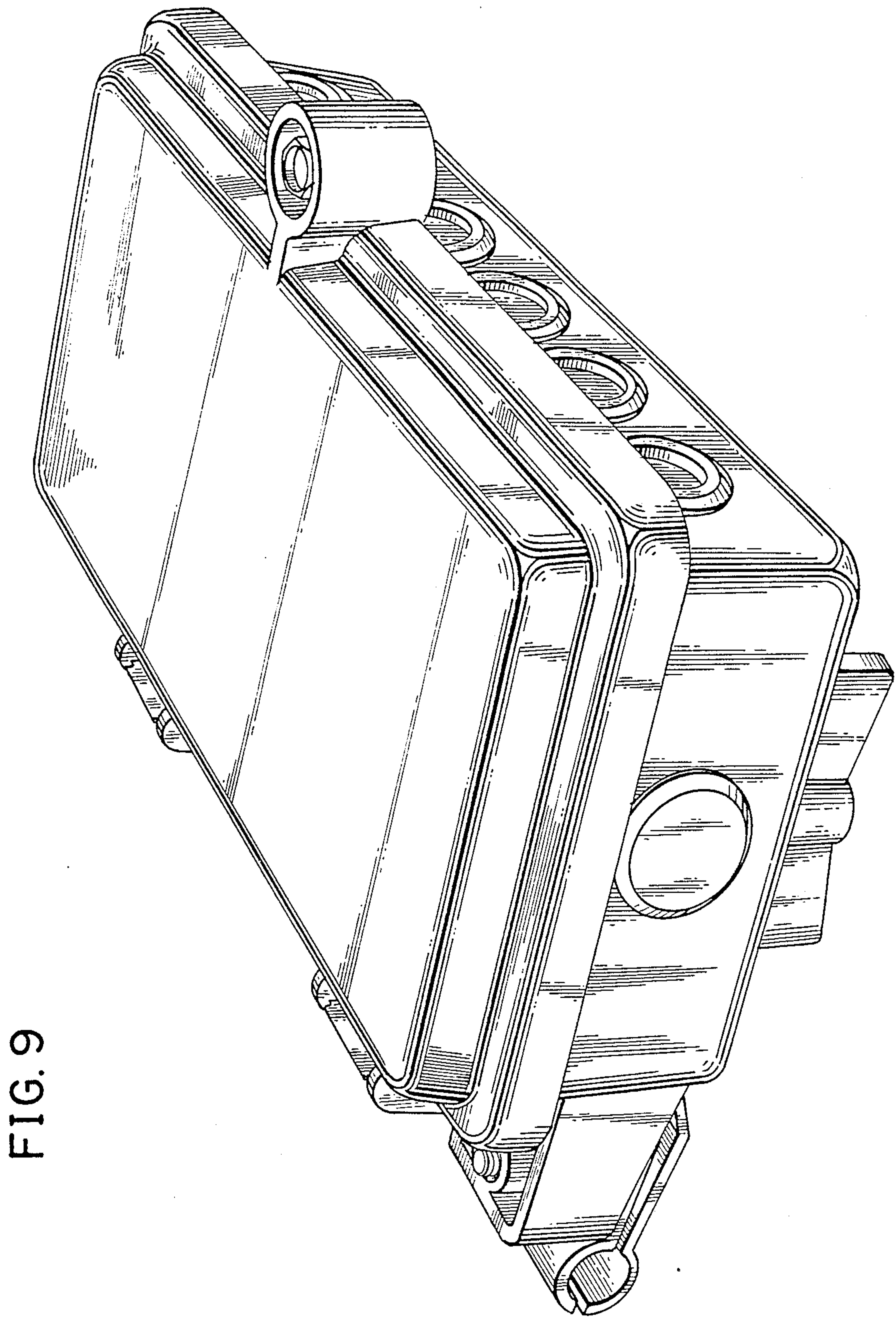


FIG. 9

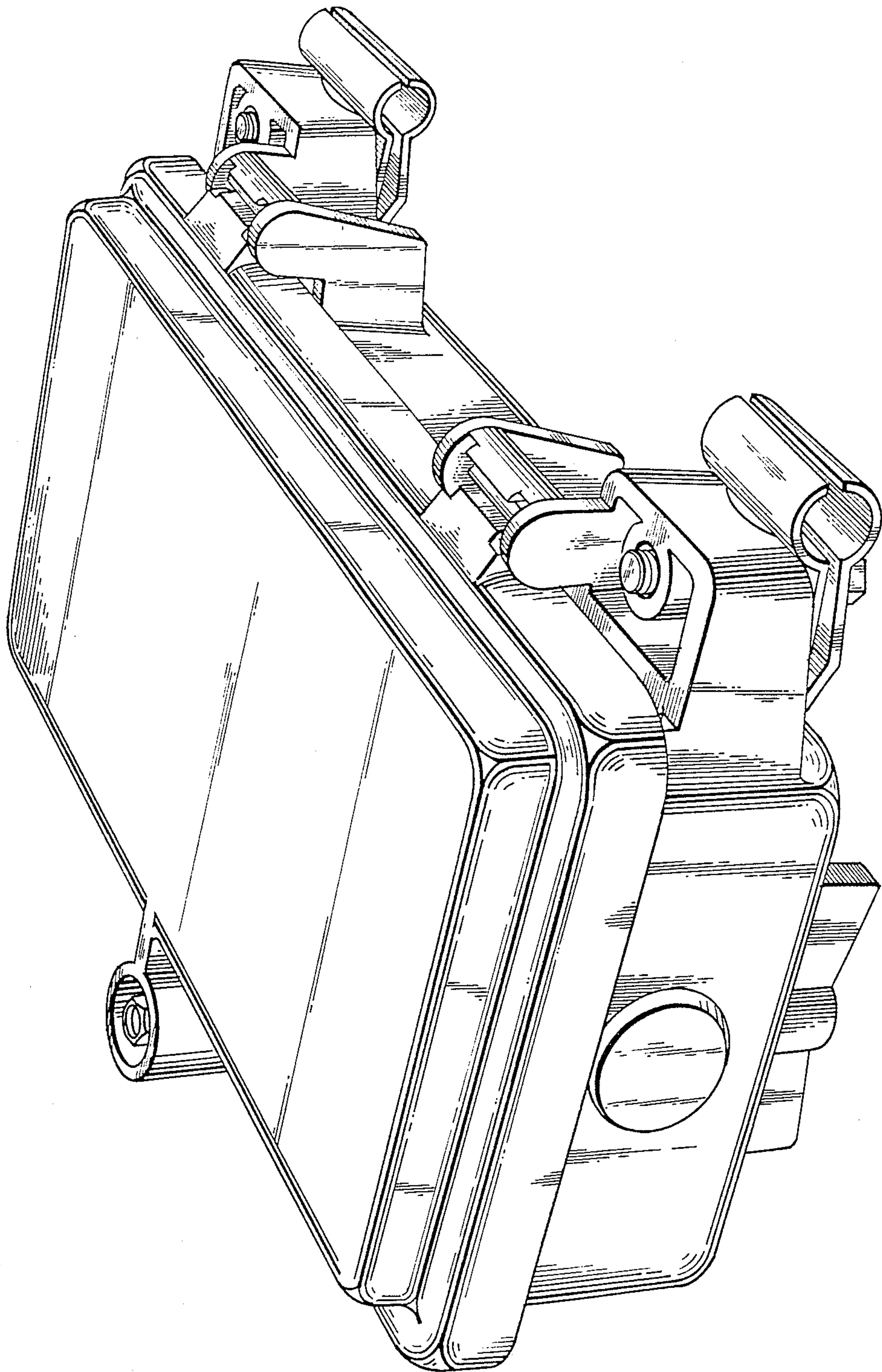


FIG. 10

FIG. 11

