

[54] **ELECTRICAL CONNECTOR FOR  
COMPUTER POWER CABLE**

[75] **Inventor: Hartmut Esslinger, Los Gatos, Calif.**

[73] **Assignee: NeXT, Inc., Redwood City, Calif.**

[\*\*] **Term: 14 Years**

[21] **Appl. No.: 214,142**

[22] **Filed: Jun. 30, 1988**

[52] **U.S. Cl. .... D13/137**

[58] **Field of Search ..... D13/133, 137, 138, 139,  
D13/141, 143, 144, 145, 146, 147, 142; 439/682,  
685, 167, 146, 176, 172, 174**

[56] **References Cited**

**U.S. PATENT DOCUMENTS**

3,795,883	3/1974	Ackerman et al. ....	439/682
4,530,562	7/1985	Reynolds, Jr. ....	439/685
4,725,240	2/1988	Braverman ....	439/682

**FOREIGN PATENT DOCUMENTS**

0086790	2/1966	France ....	439/685
6405906	11/1965	Netherlands ....	439/685

**OTHER PUBLICATIONS**

Quill Corp. Catalog, copyright 1986, p. 5, IBM Keyboard Cord (c).

*Primary Examiner*—Susan J. Lucas  
*Assistant Examiner*—Melody Brown  
*Attorney, Agent, or Firm*—Robert R. Jackson; Laurence S. Rogers; Doreen F. Shulman

[57] **CLAIM**

The ornamental design for an electrical connector for computer power cable, as shown and described.

**DESCRIPTION**

FIG. 1 is a top, left, front perspective view of an electrical connector for computer power cable showing my new design, it being understood that the broken lines are for illustrative purposes only and form no part of the claimed design;

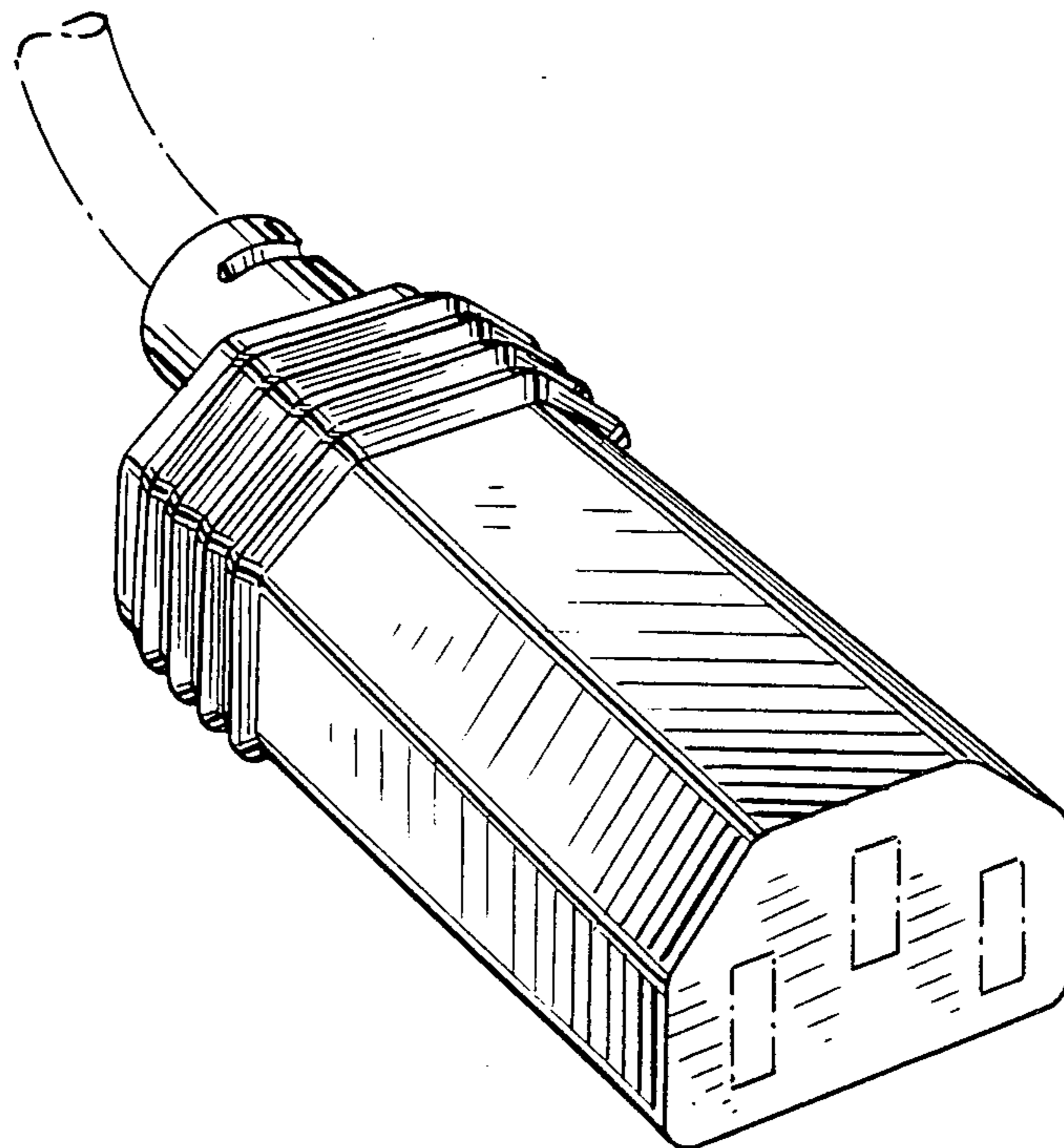
FIG. 2 is a right side elevational view thereof, the left side being a mirror image of that shown;

FIG. 3 is a front elevational view thereof;

FIG. 4 is a rear elevational view thereof;

FIG. 5 is a top plan view thereof; and

FIG. 6 is a bottom plan view thereof.



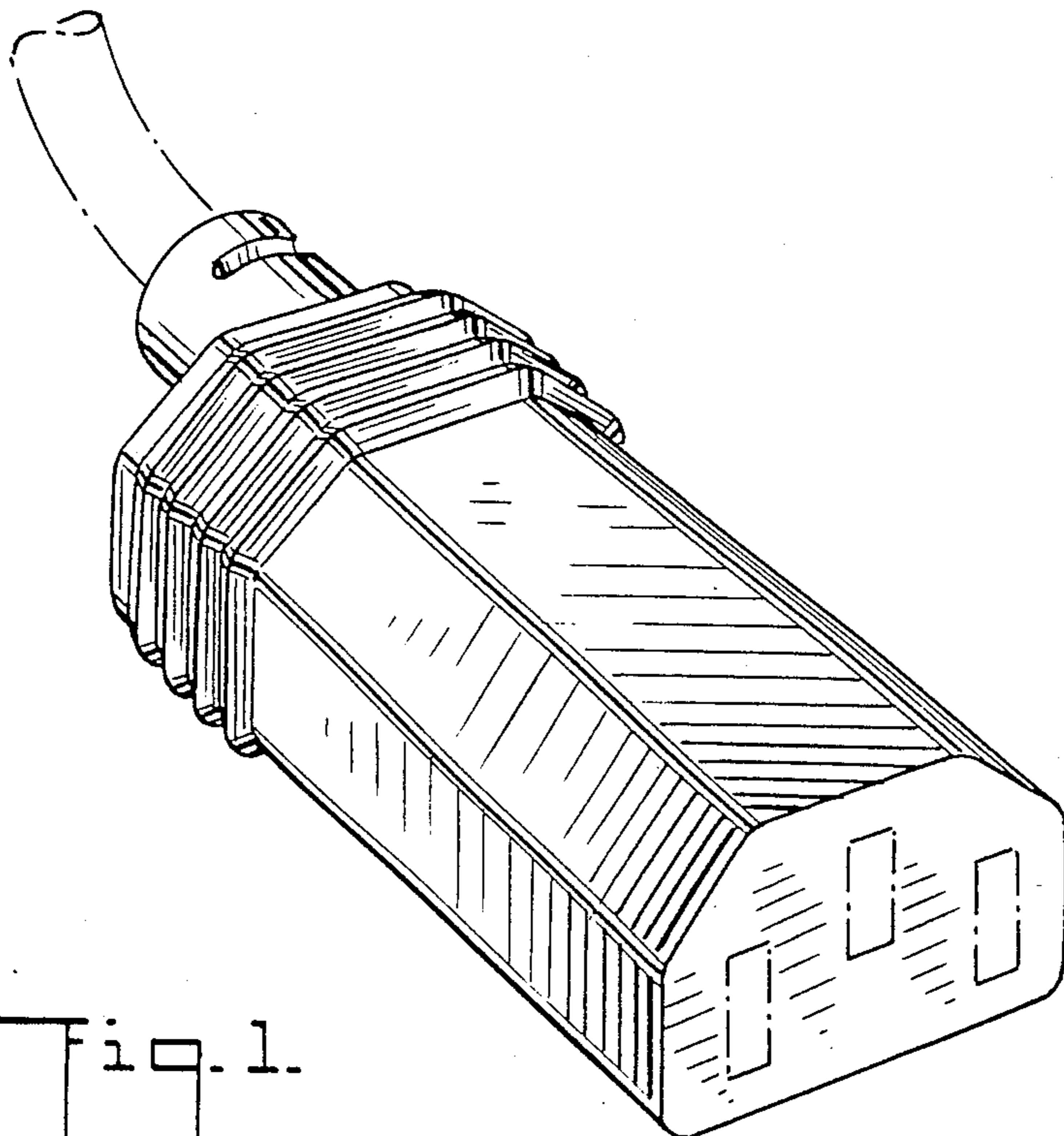


Fig. 1.

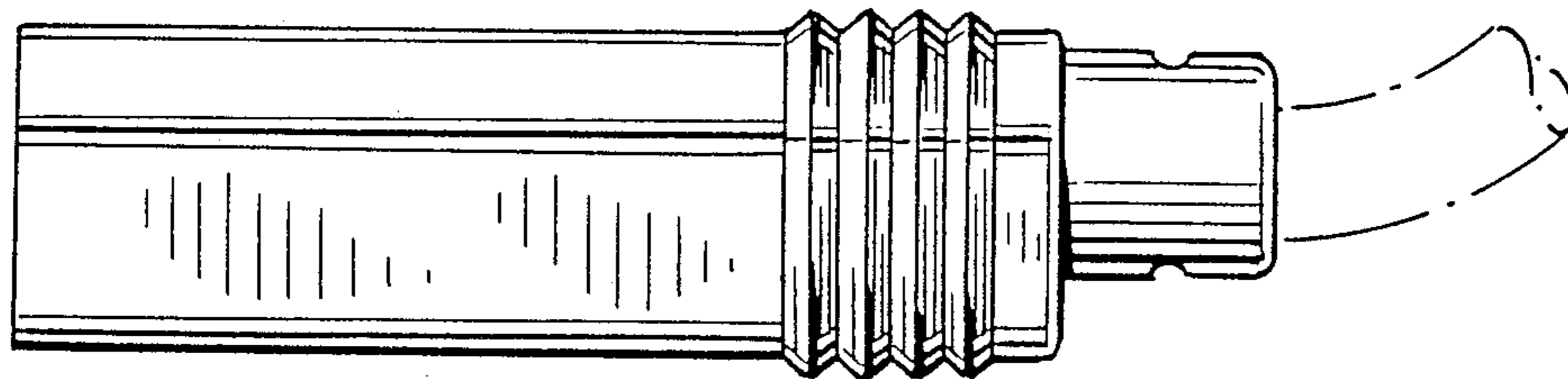


Fig. 2.

Fig. 3.

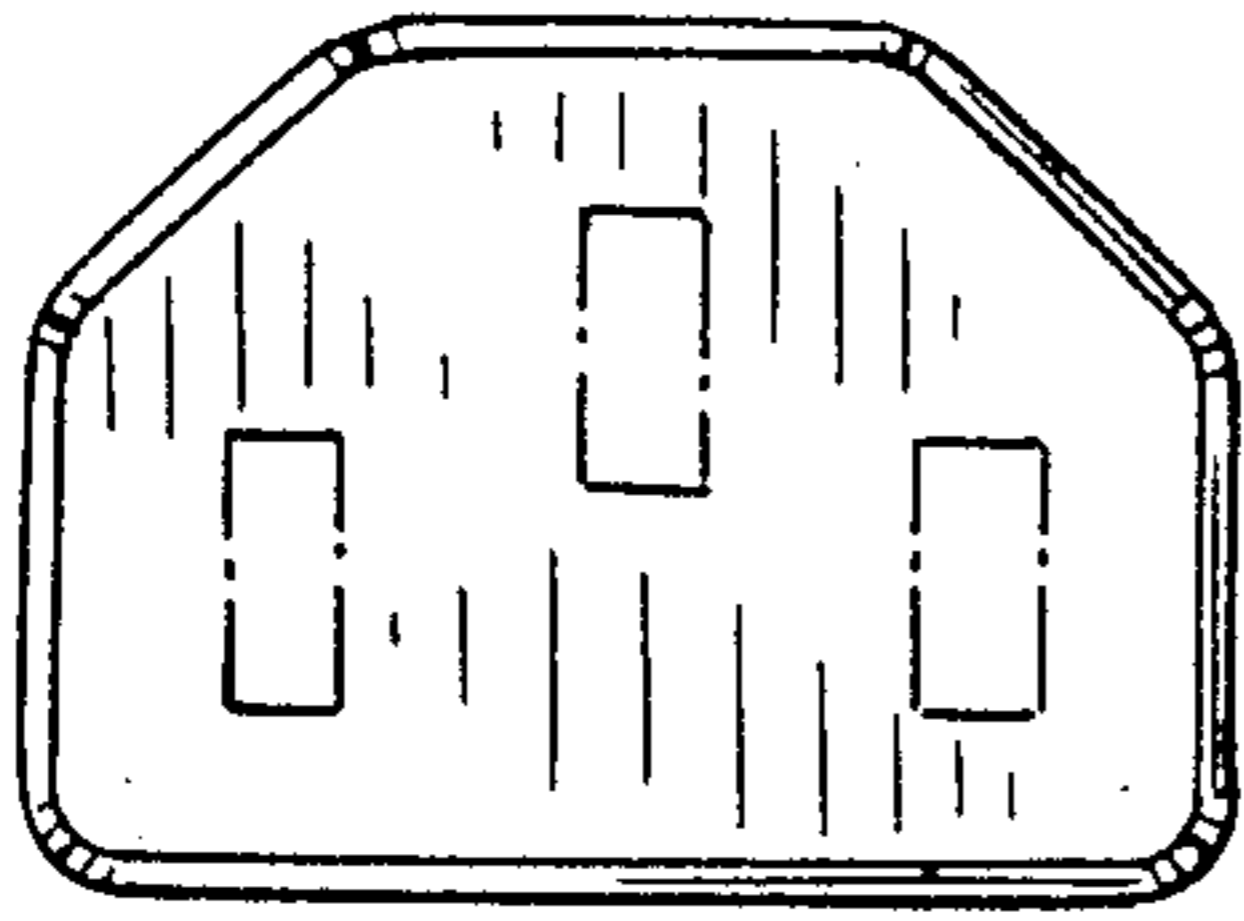


Fig. 4.

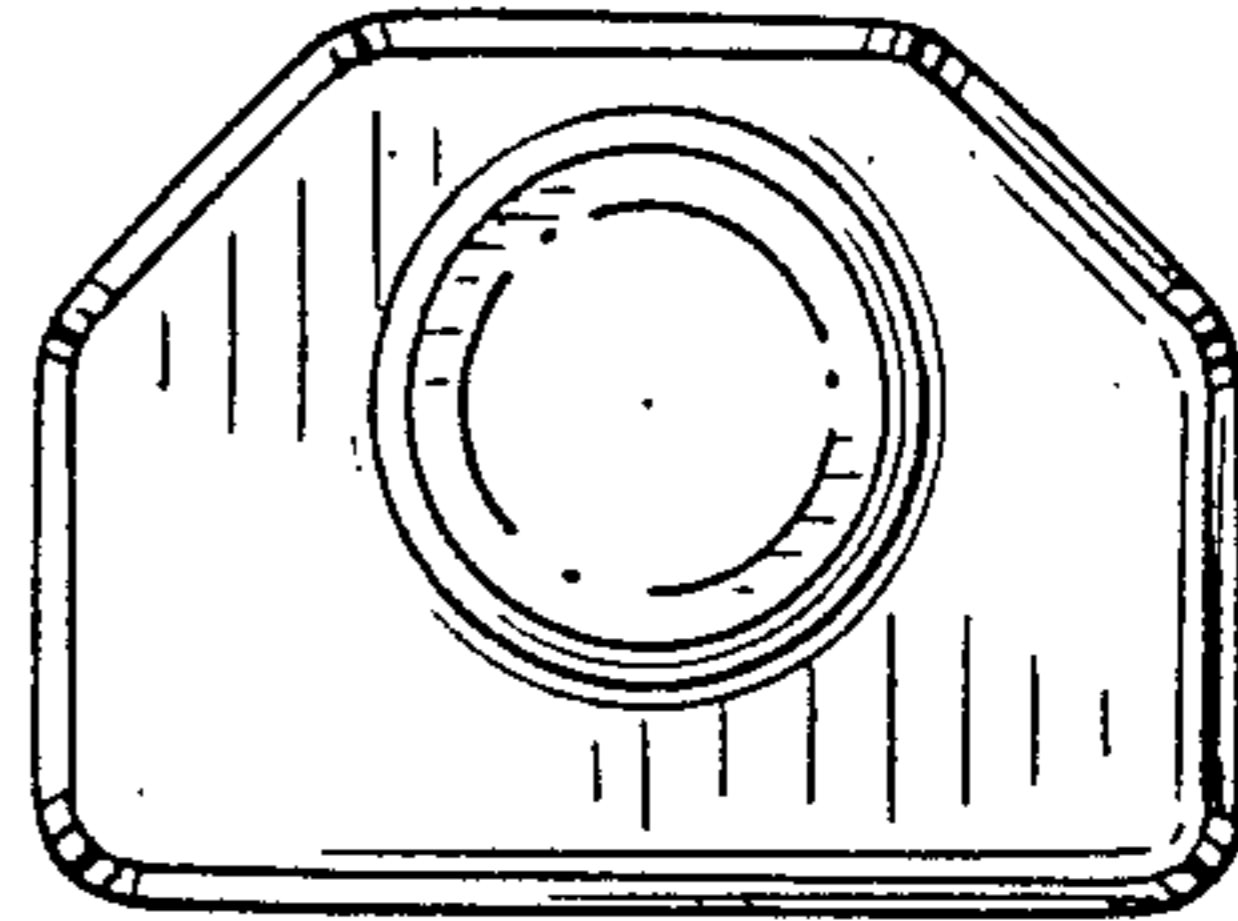


Fig. 5.

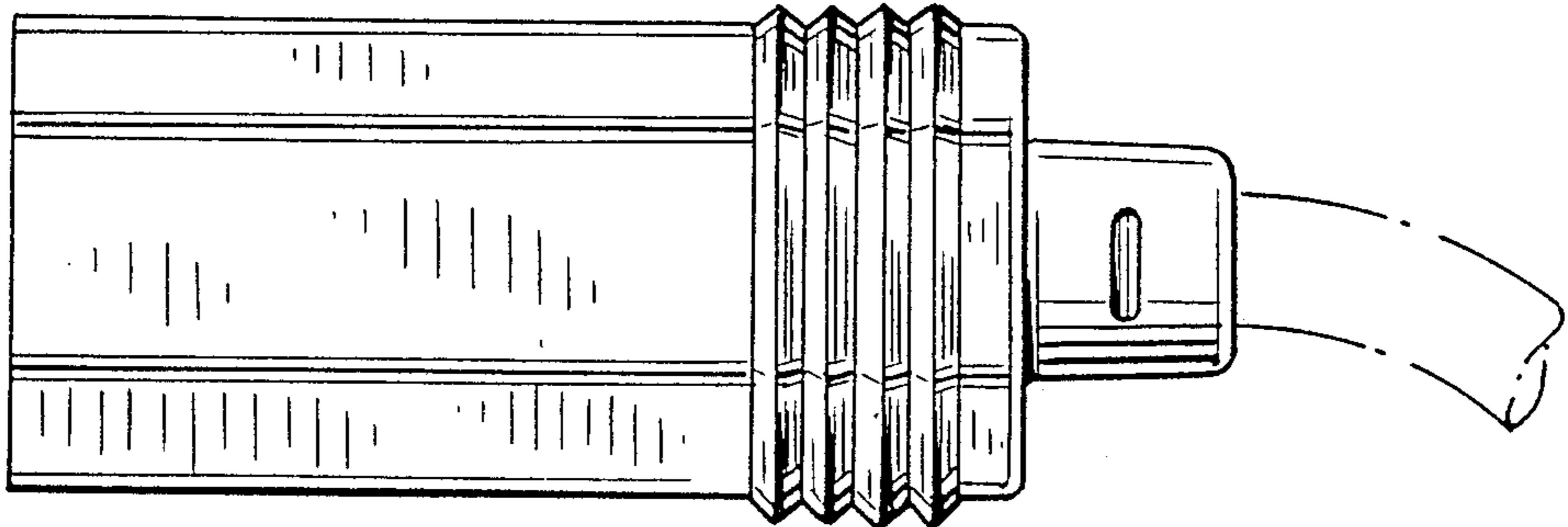


Fig. 6.

