

[54] BICYCLE HOLDERS FOR A VEHICLE ROOF RACK

[75] Inventor: Michael Dixon, Ardross, Australia

[73] Assignee: Samrein Pty. Limited, Torrance, Calif.

[**] Term: 14 Years

[21] Appl. No.: 278,078

[22] Filed: Nov. 30, 1988

[30] Foreign Application Priority Data

Nov. 17, 1987 [AU] Australia 4235/87

[52] U.S. Cl. D12/158

[58] Field of Search D12/158; 224/42.03 B, 224/309, 315, 322, 323, 331; 211/17, 22

[56] References Cited

U.S. PATENT DOCUMENTS

- 3,848,784 11/1974 Shimano et al. 211/22
- 3,931,919 1/1976 Gerber et al. 211/22
- 4,442,961 4/1984 Bott 224/42.03 B
- 4,629,104 12/1986 Jacquet 211/17

4,702,401 10/1987 Graber et al. 224/323

OTHER PUBLICATIONS

Performance Bicycle Shop Catalog, 1983, p. 35, Car Top Carrier.

Primary Examiner—James M. Gandy

Assistant Examiner—Melody Brown

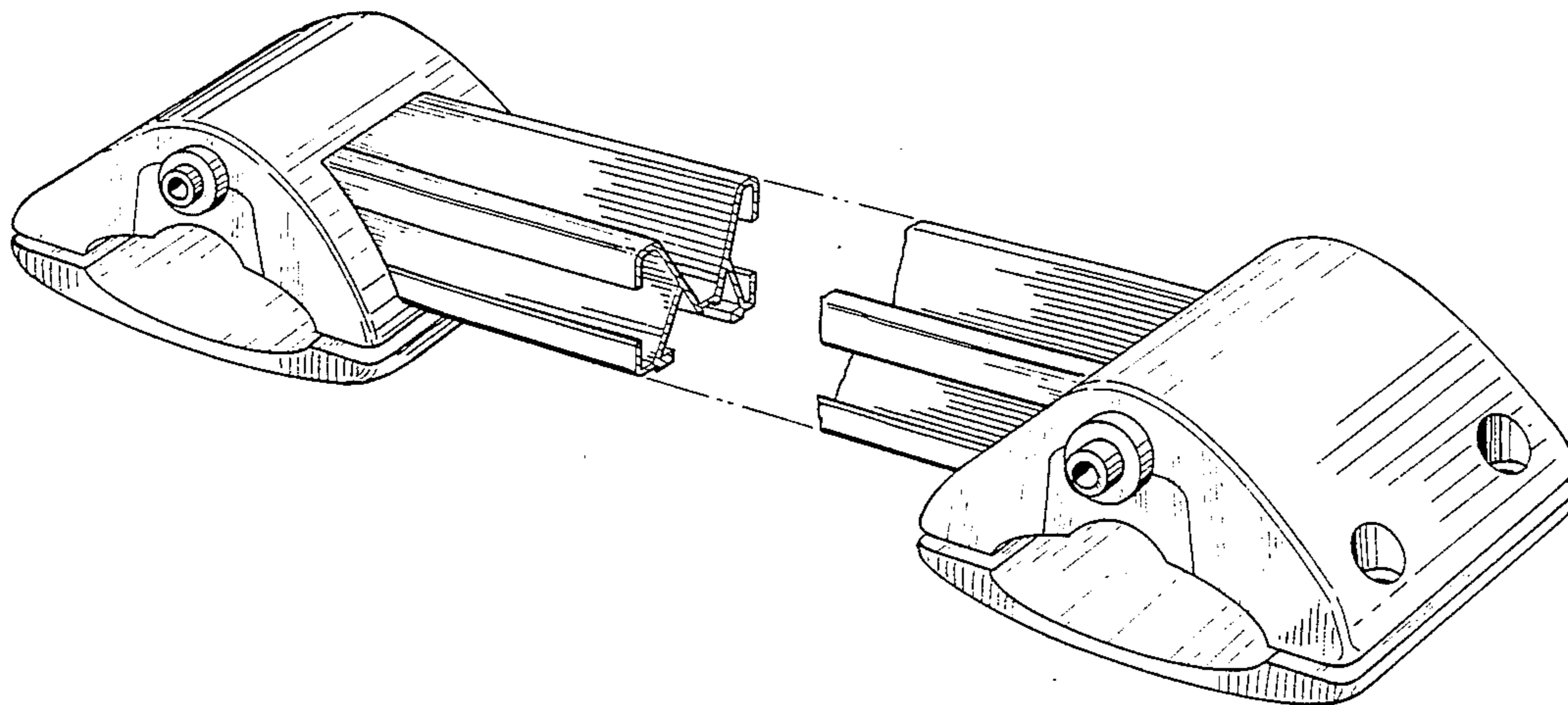
Attorney, Agent, or Firm—Roylance, Abrams, Berdo & Goodman

[57] CLAIM

The ornamental design for a bicycle holder for a vehicle roof rack, as shown and described.

DESCRIPTION

FIG. 1 is a perspective view of a bicycle holder for a vehicle roof rack showing my new design broken away in the middle to indicate indeterminate length; FIG. 2 is a top plan view thereof; FIG. 3 is a bottom plan view thereof; FIG. 4 is a rear elevational view thereof, the front elevational view being a mirror image of that shown; and FIG. 5 is a side elevational view thereof the opposite side being a mirror image of that shown.



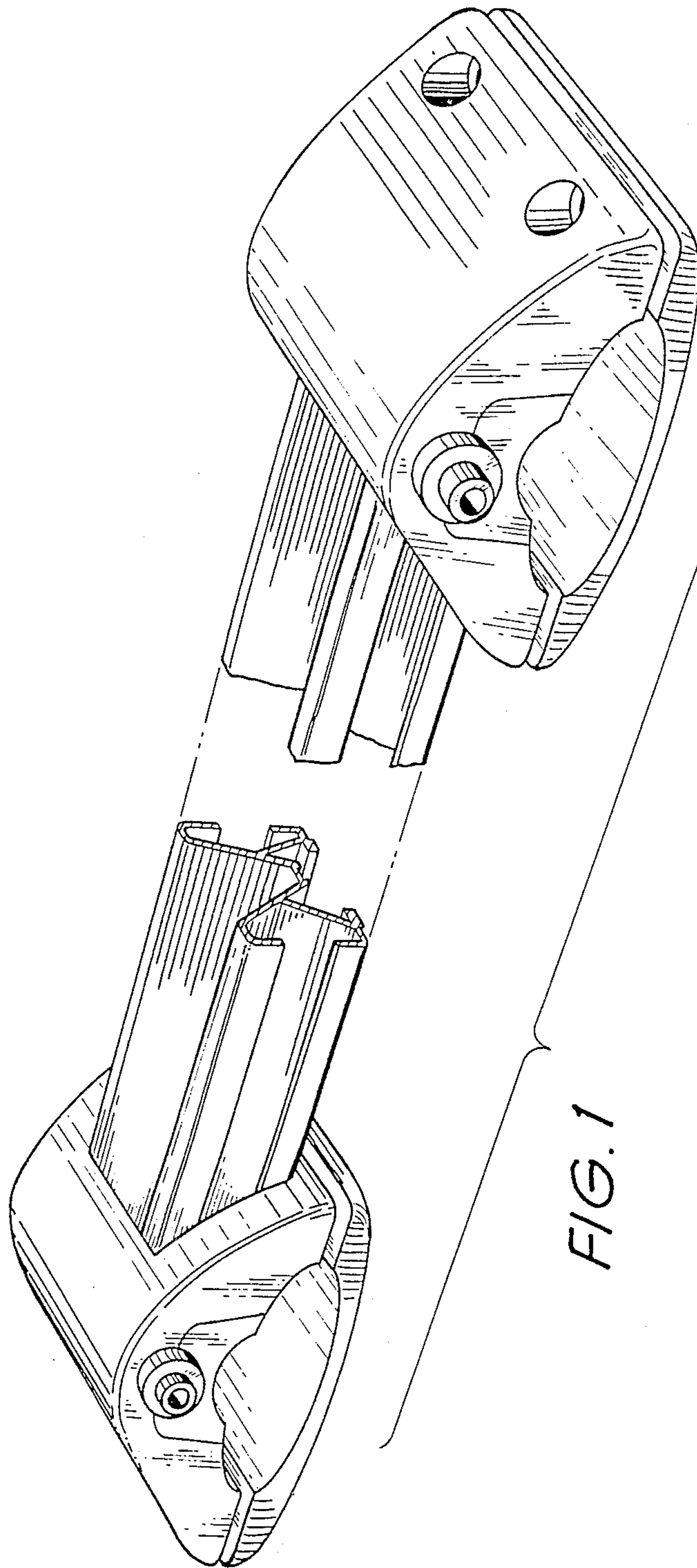


FIG. 1

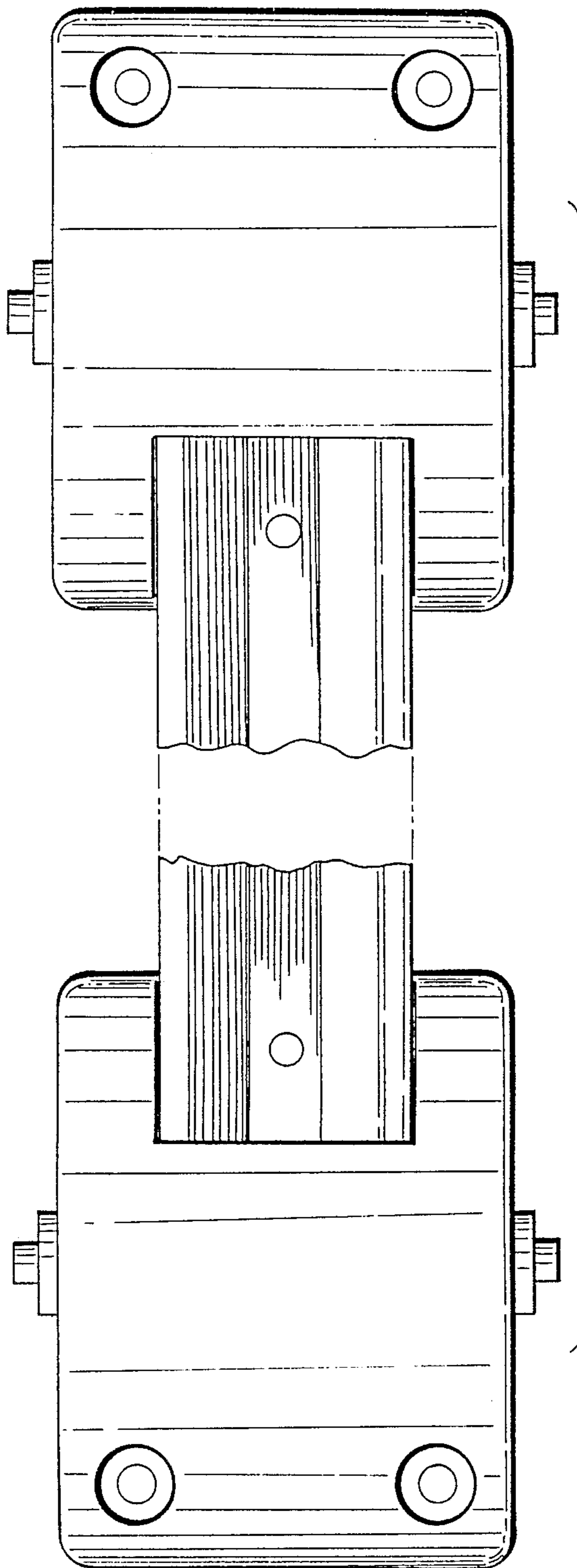


FIG. 2

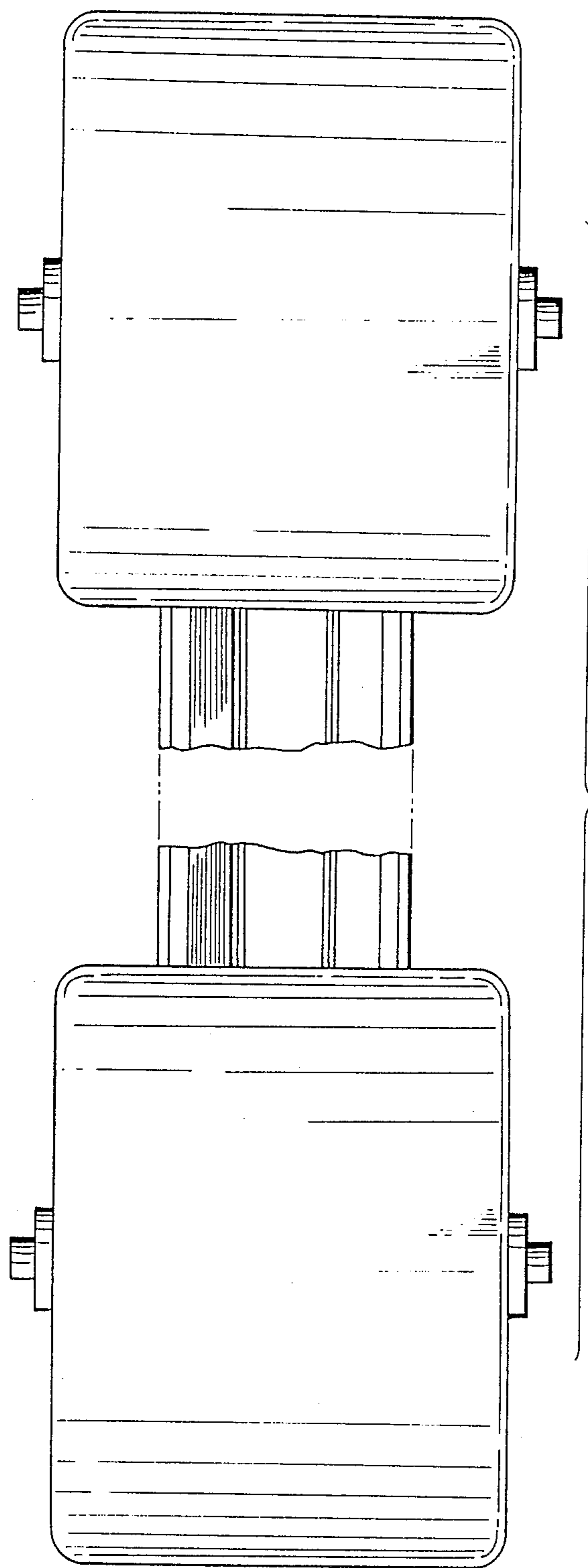


FIG. 3

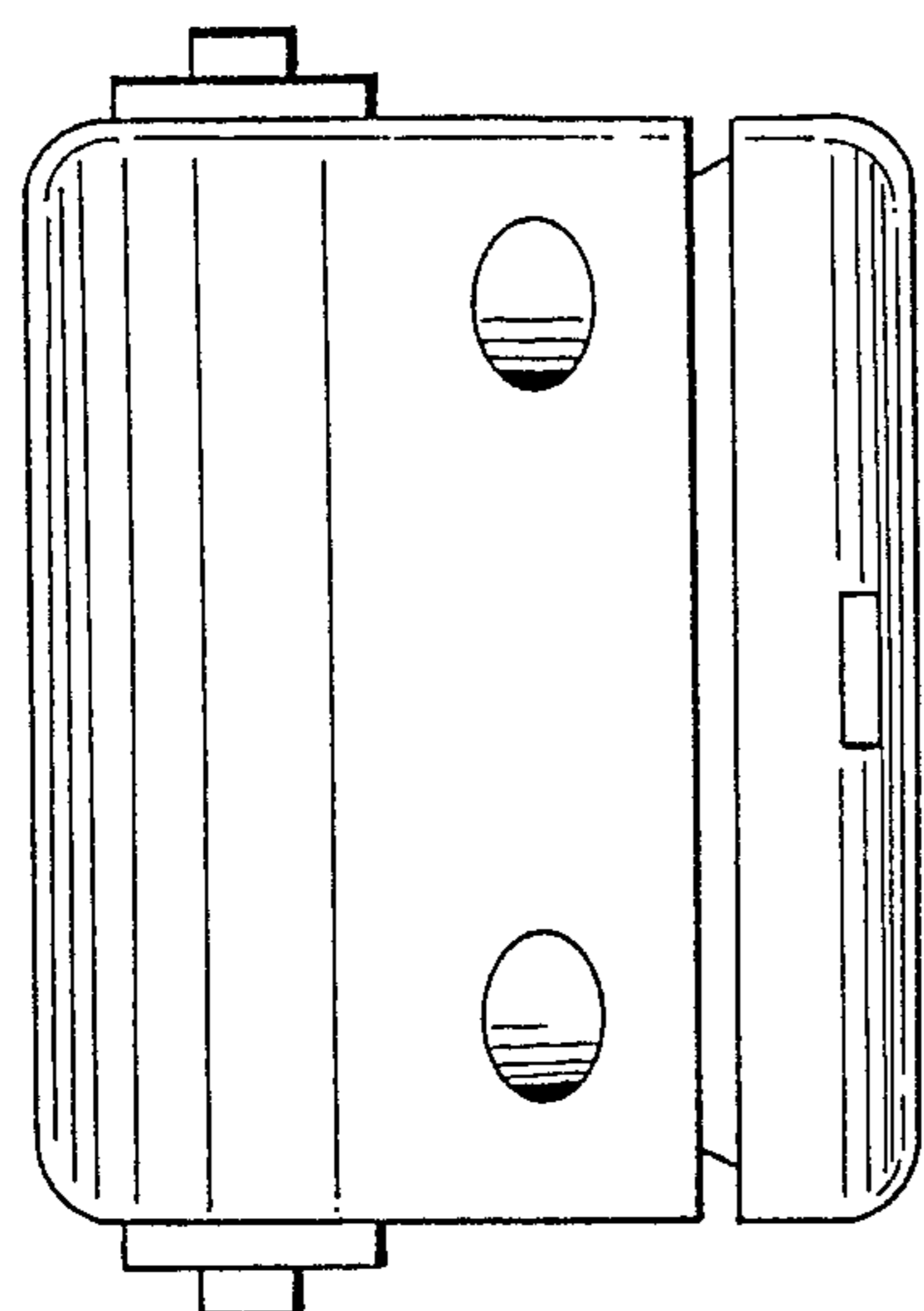


FIG. 4

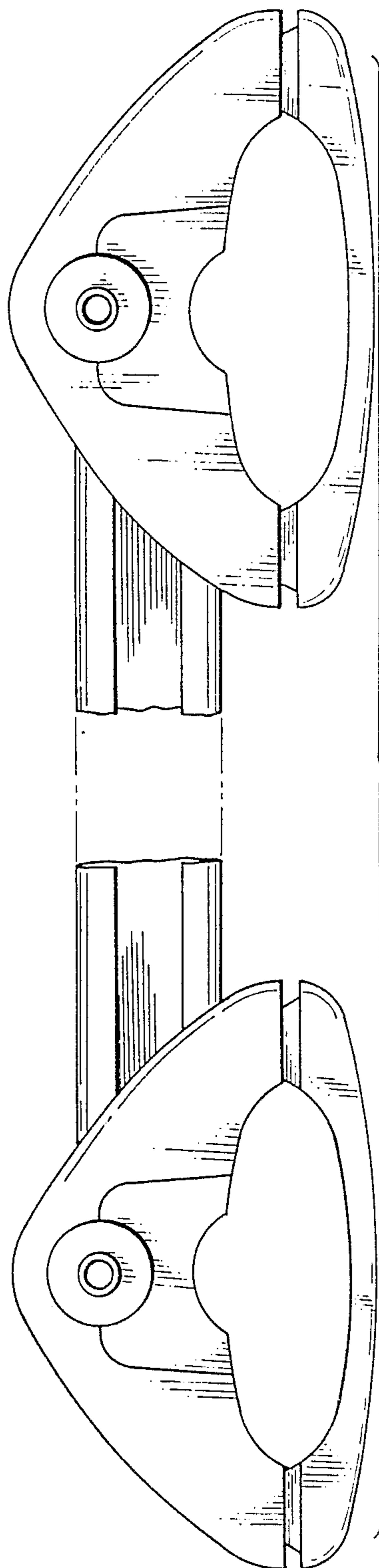


FIG. 5