

[54] VEHICLE ARTICLE CARRIER STANCHION

[57] CLAIM

[76] Inventors: William A. Rasor, 8411 Imlay City Rd., Goodells, Mich. 48027; Mark E. Graham, 23646 Beierman St., Warren, Mich. 48091

The ornamental design for a vehicle article carrier stanchion, as shown and described.

DESCRIPTION

[**] Term: 14 Years

FIG. 1 is an outer perspective view of a vehicle article carrier stanchion showing our new design;

[21] Appl. No.: 171,518

FIG. 2 is an inner perspective view thereof with a lever forming part of the stanchion shown in a closed position;

[22] Filed: Mar. 21, 1988

FIG. 3 is an inner perspective view thereof with the lever shown in an open position;

[52] U.S. Cl. D12/157

[58] Field of Search D12/157; 410/104, 105, 410/107, 111; 224/309, 321, 322, 324, 325

FIG. 4 is an outer side elevation view thereof to a reduced scale;

[56] References Cited

U.S. PATENT DOCUMENTS

4,448,337 5/1984 Cronce 224/321

FIG. 5 is a top plan view thereof;

FIG. 6 is an inner side elevation view thereof;

FIG. 7 is a bottom plan view thereof;

FIG. 8 is an end elevation view thereof taken along line 8-8 of FIG. 6; and

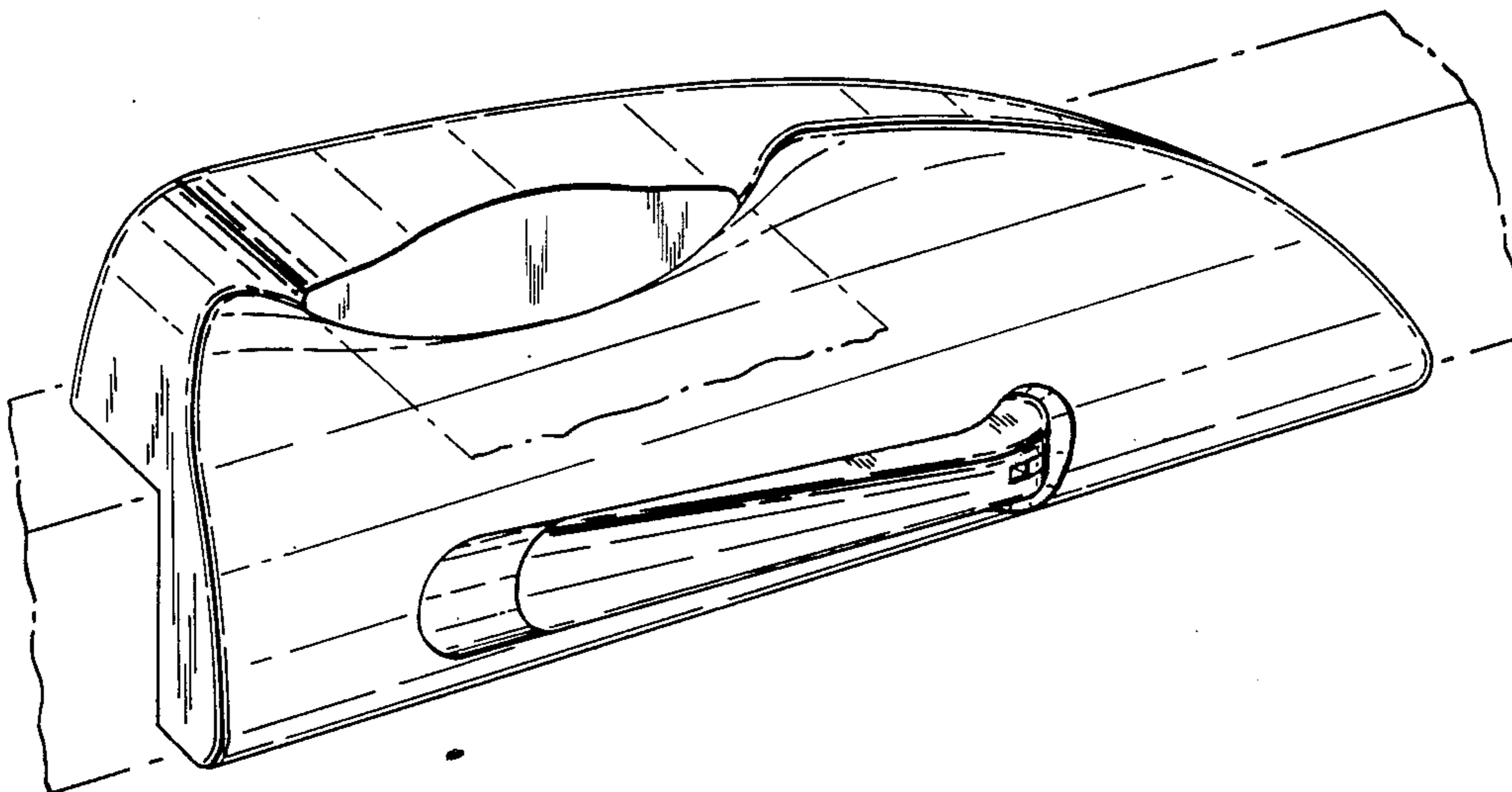
FIG. 9 is an end elevation view thereof taken along line 9-9 of FIG. 6.

Primary Examiner—James M. Gandy

Assistant Examiner—Melody Brown

Attorney, Agent, or Firm—Leon E. Redman; Malcolm L. Sutherland

The broken lines in the drawing are for illustrative purposes only and from no part of the claimed design.



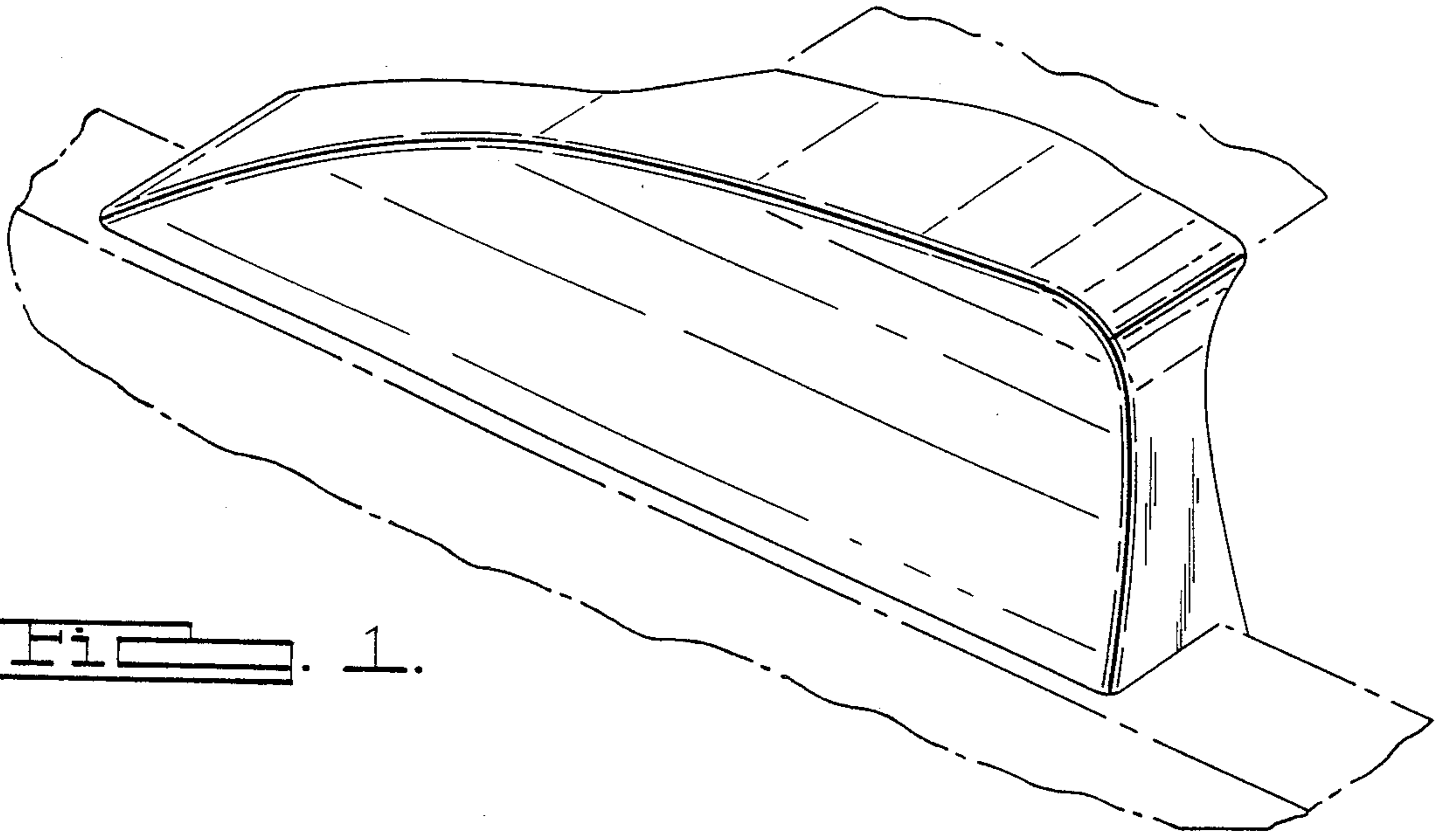


Fig. 1.

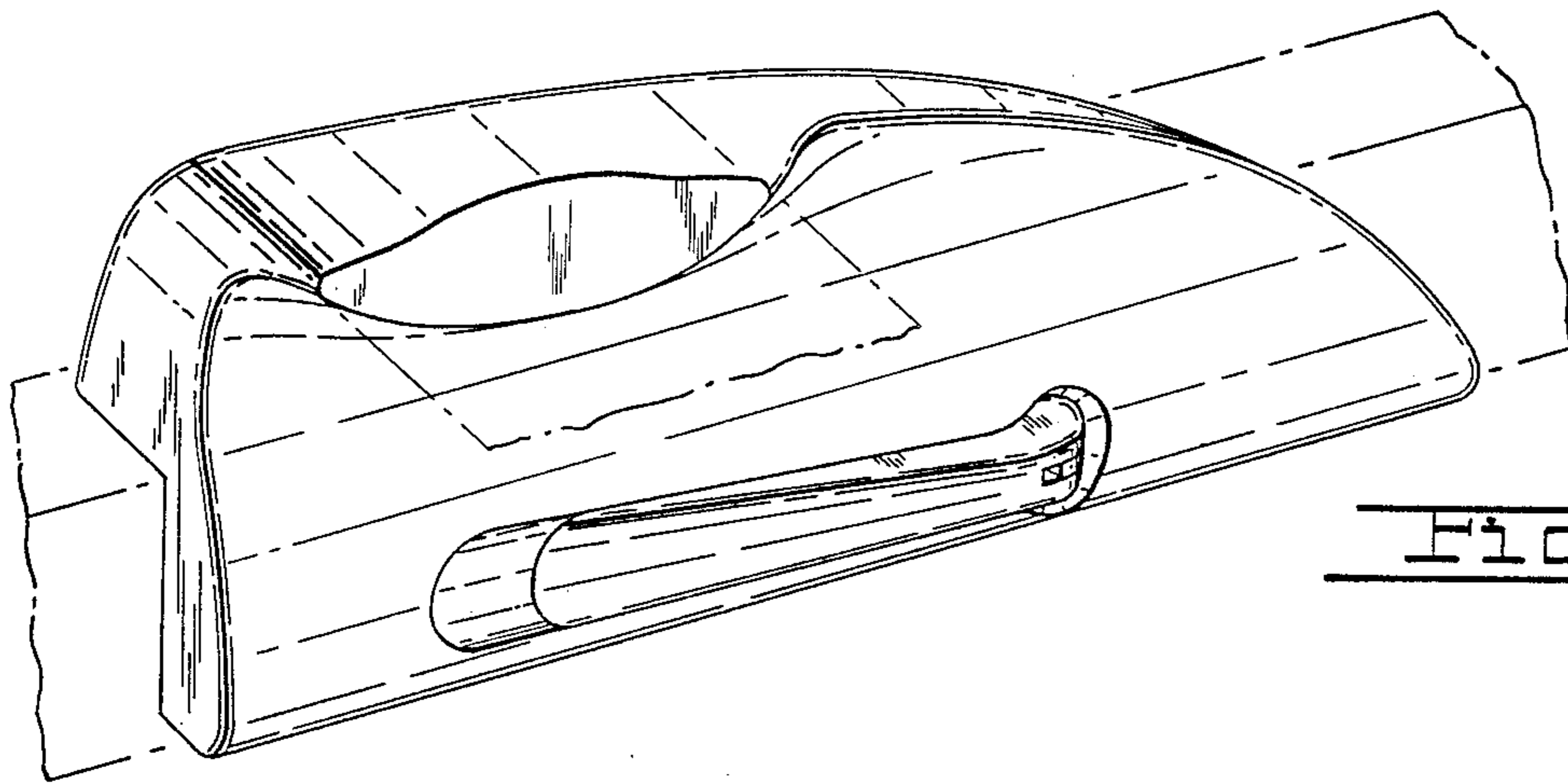


Fig. 2.

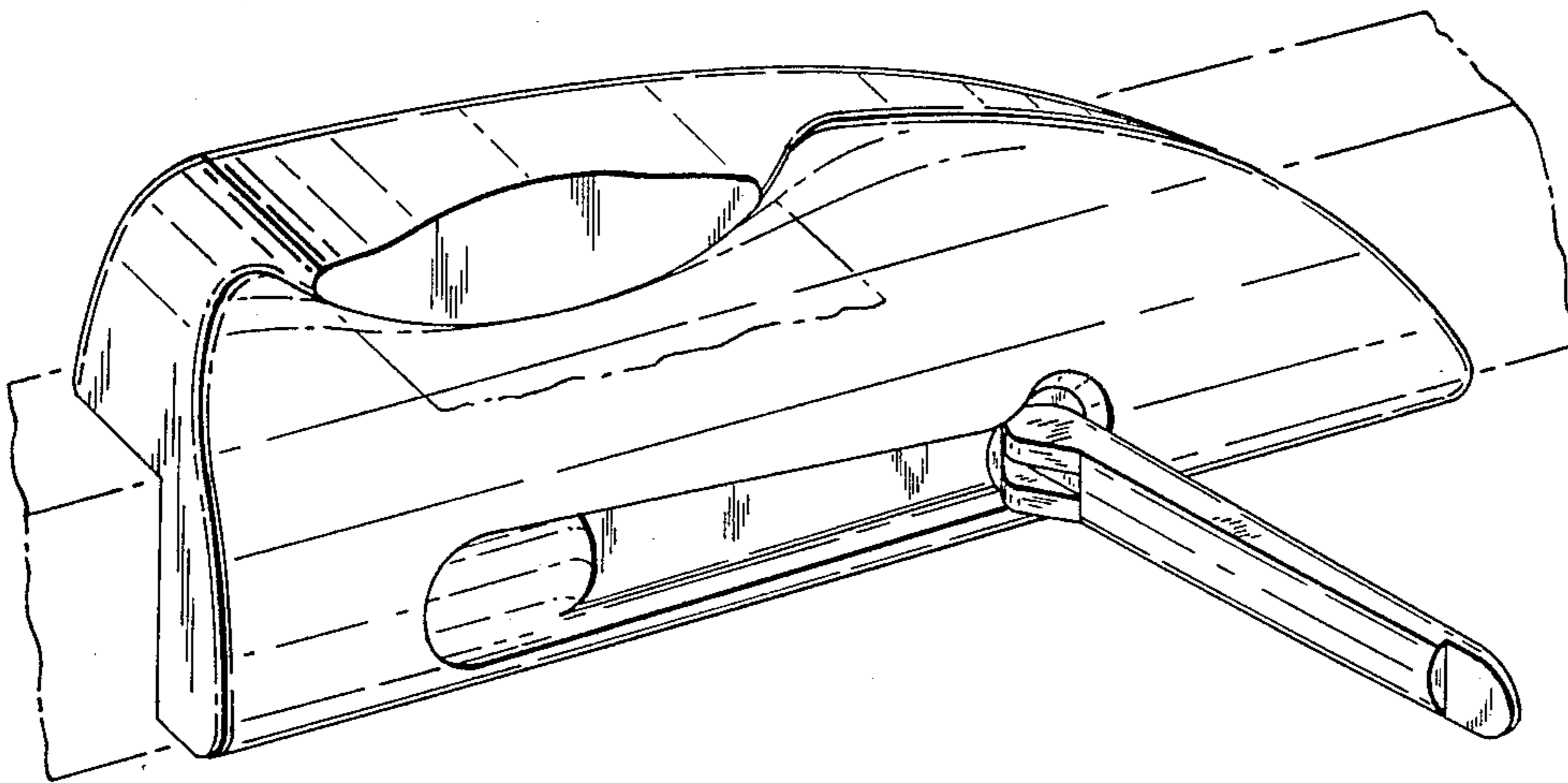


Fig. 3.

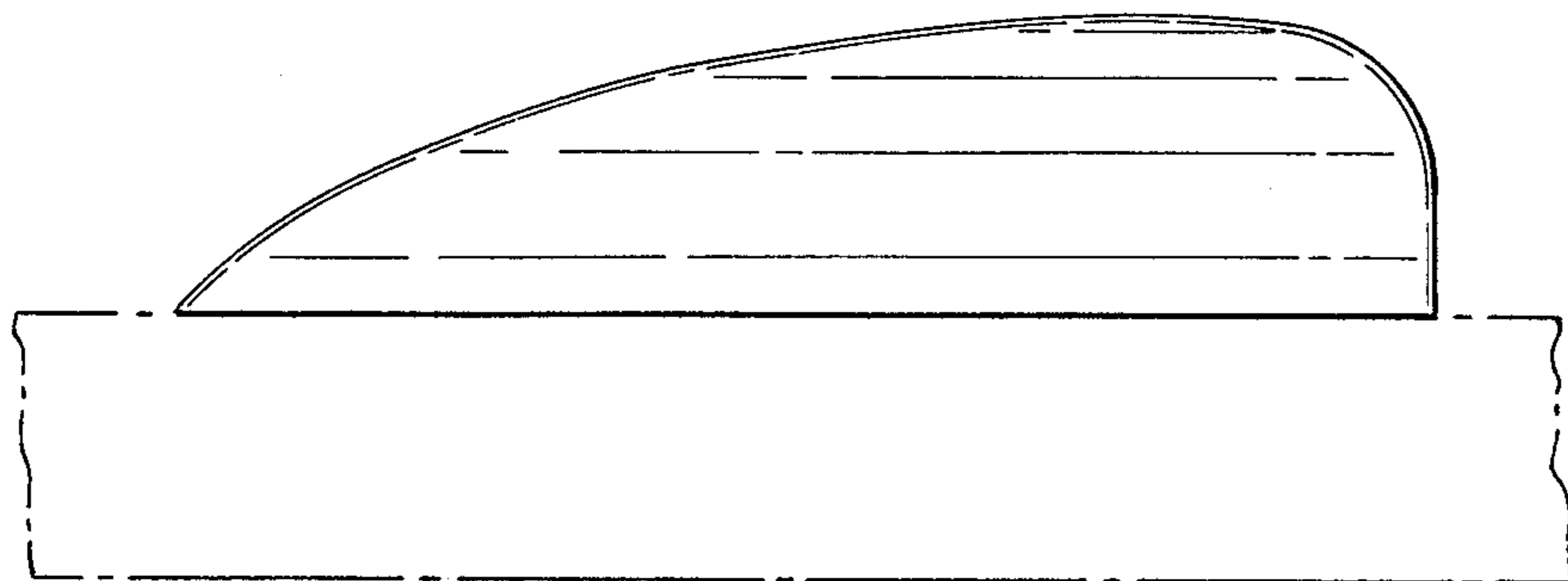


FIG. 4.

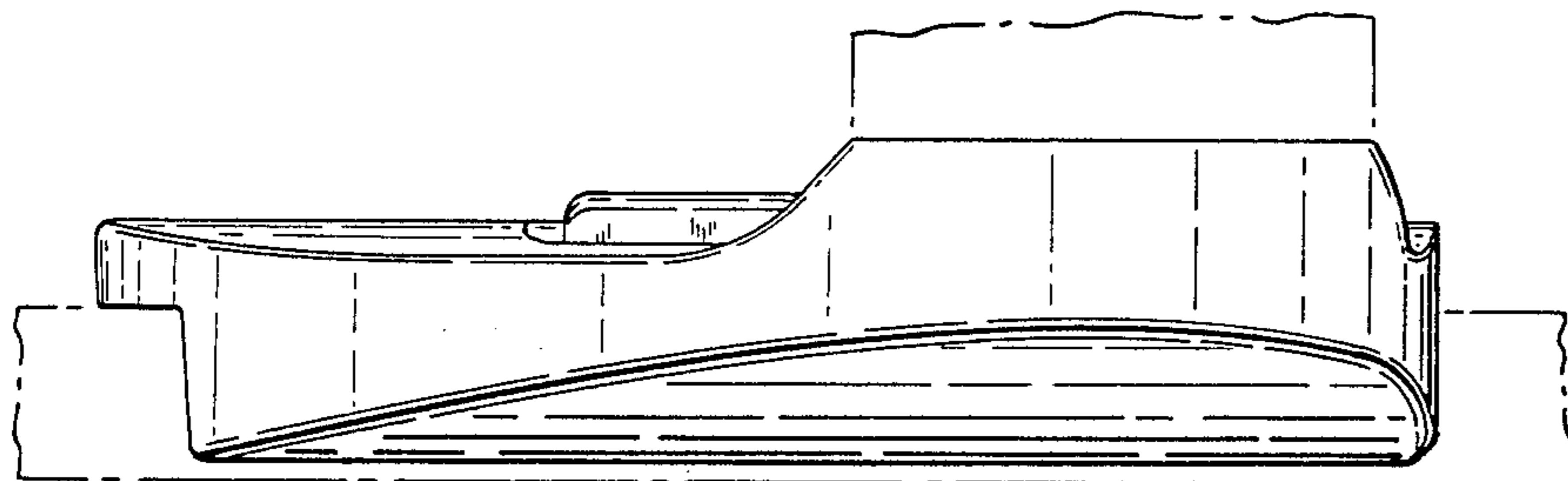


FIG. 5.

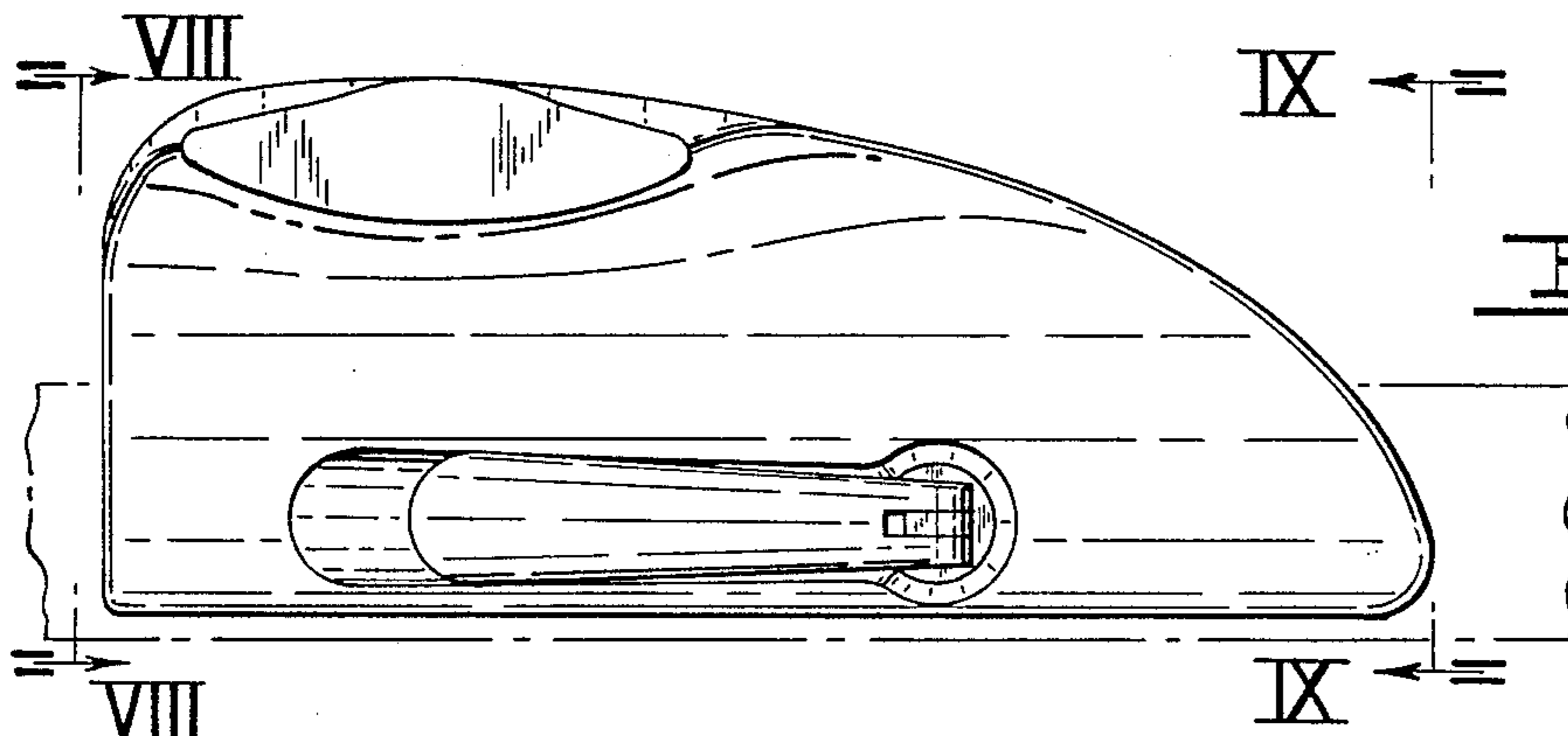


FIG. 6.

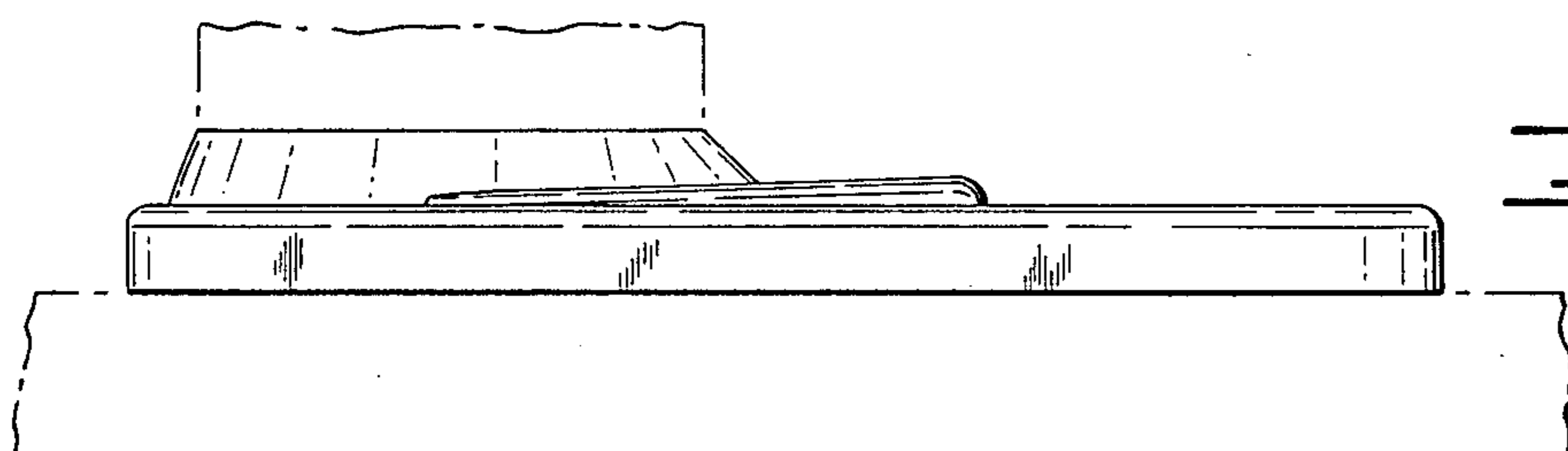


FIG. 7.

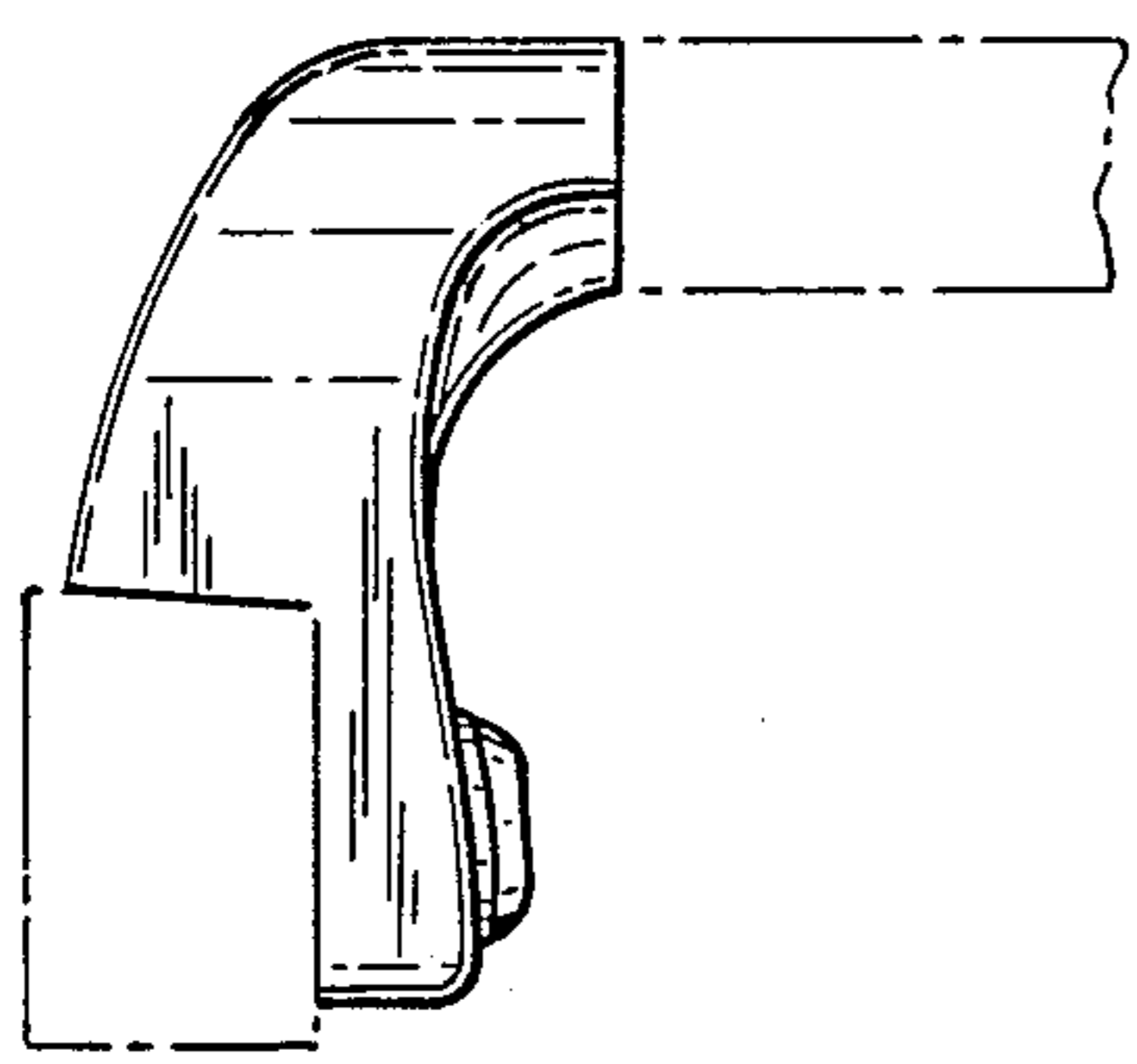


FIG. 8.

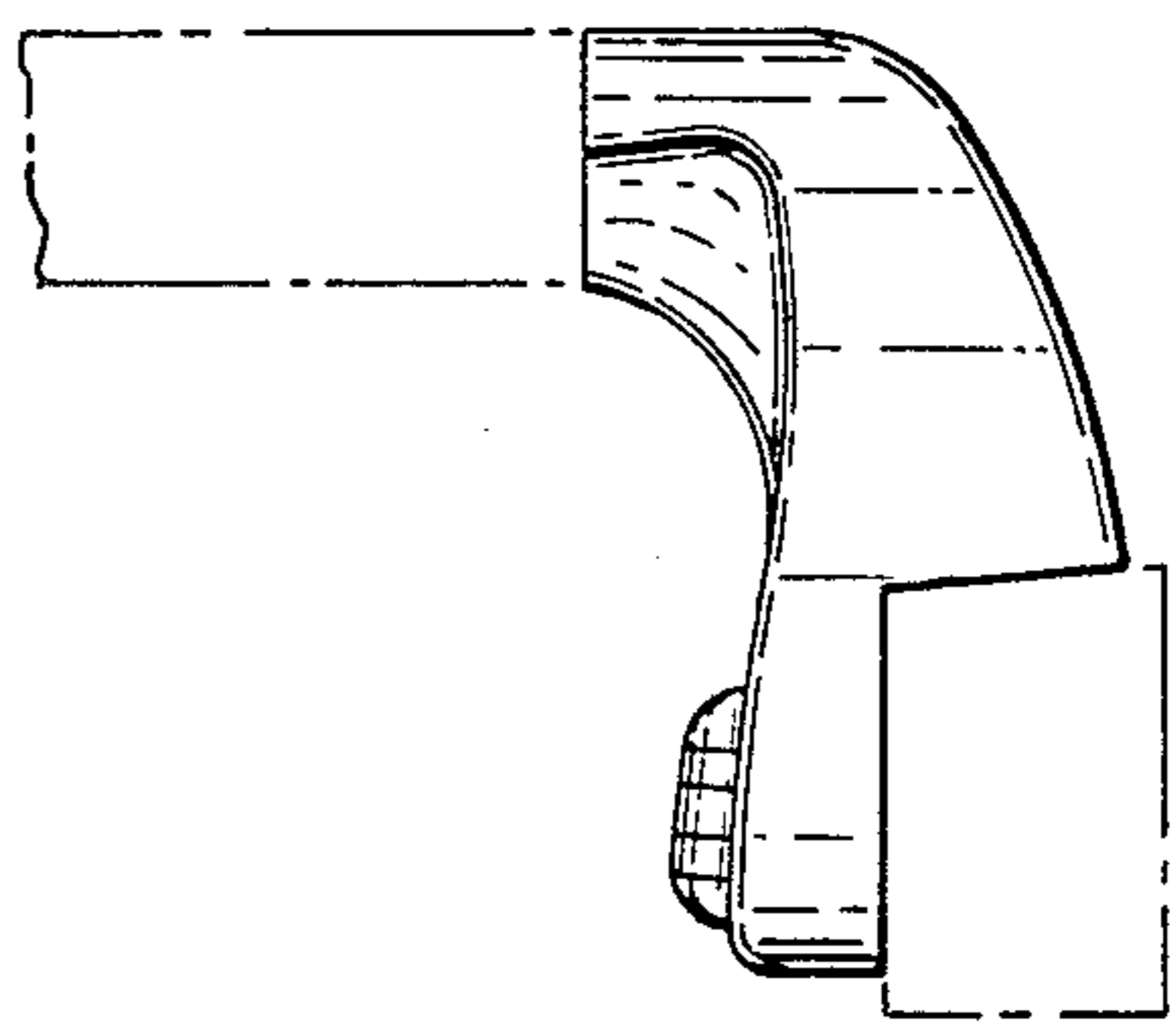


FIG. 9.