

- [54] TIRE
- [75] Inventor: James G. Guspodin, Barberton, Ohio
- [73] Assignee: Bridgestone/Firestone, Inc., Akron, Ohio
- [**] Term: 14 Years
- [21] Appl. No.: 220,828
- [22] Filed: Jul. 18, 1988
- [52] U.S. Cl. D12/147
- [58] Field of Search D12/146-151;
152/209 R, 209 B, 209 D

[56] References Cited

U.S. PATENT DOCUMENTS

D. 265,303	7/1982	Yokoyama	D12/147
D. 280,981	10/1985	Ohta et al.	D12/142
D. 287,838	1/1987	Takehara	D12/147
D. 294,135	2/1988	Wallet	D12/147
D. 294,815	3/1988	Nagayasu	D12/147
D. 295,036	4/1988	Wallet et al.	D12/147
4,765,384	8/1988	Rohde	152/209 R

OTHER PUBLICATIONS

1987 Tread Design Guide, vol. 22, p. 110, Cordovan Power King All Position, second row, extreme left.
 1987 Tread Design Guide, vol. 22, p. 20, CBI SPR-300, second row from top, extreme left.

1987 Tread Design Guide, vol 22, p. 64, Reynolds Radial M&S, top row, second from right.
 1987 Tread Design Guide, vol. 22, p. 77, Uniroyal Rallye GT/HR; GT, bottom row, center and adjacent right.

Primary Examiner—James M. Gandy
 Attorney, Agent, or Firm—Ernst H. Ruf

[57] CLAIM

The ornamental design for a tire, as shown and described.

DESCRIPTION

FIG. 1 is a perspective view of a tire embodying a first embodiment of my design, it being understood that the tread pattern is repeated throughout the circumference of the tire, the opposite side being substantially the same as that shown;

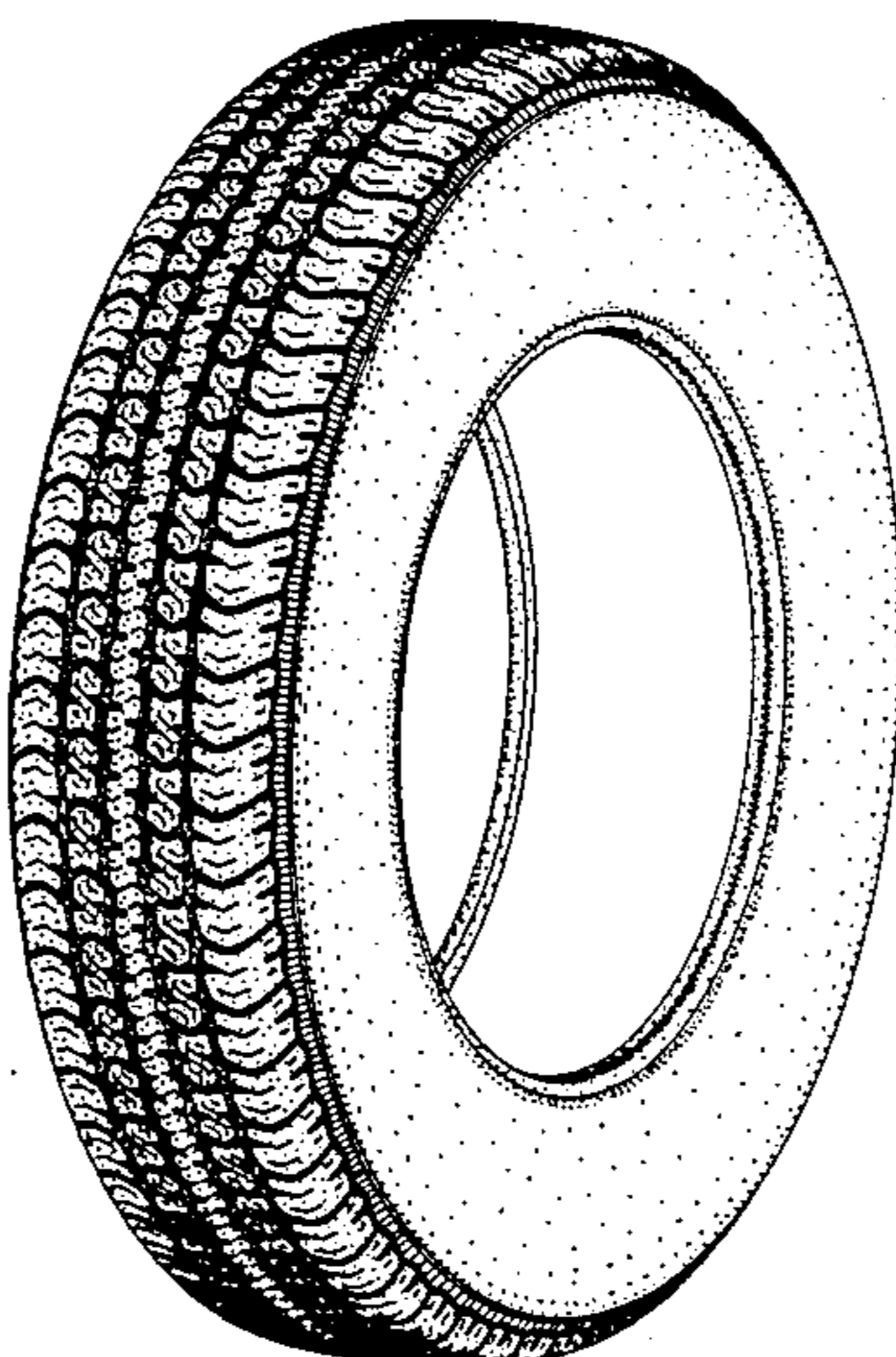
FIG. 2 is a front elevational view of said first embodiment;

FIG. 3 is a side elevational view of said first embodiment;

FIG. 4 is a perspective view of a tire embodying a second embodiment of my design, it being understood that the tread pattern is repeated throughout the circumference of the tire, the opposite side being substantially the same as that shown;

FIG. 5 is a front elevational view of said second embodiment;

FIG. 6 is a side elevational view of said second embodiment.



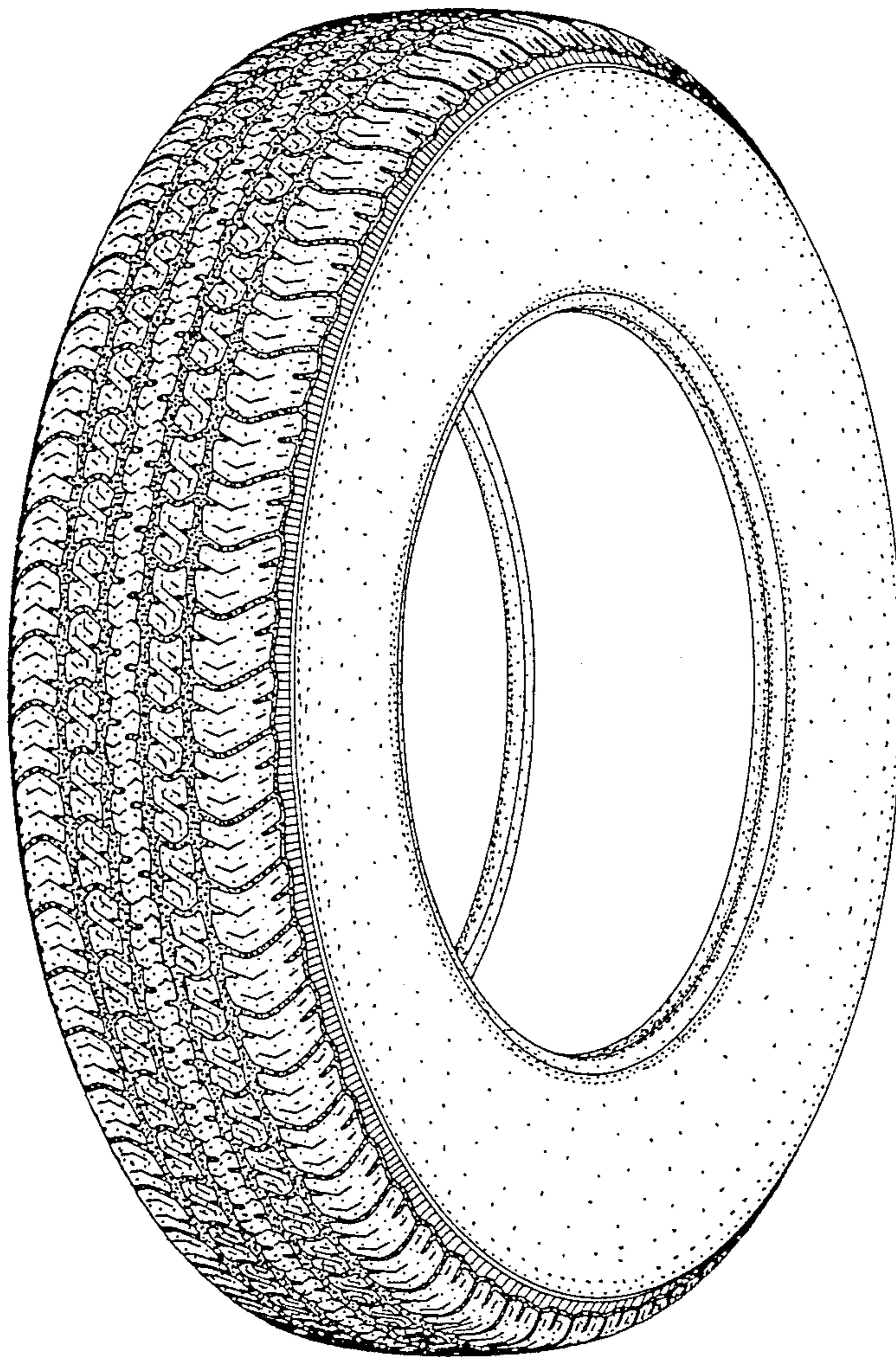


FIG. 1

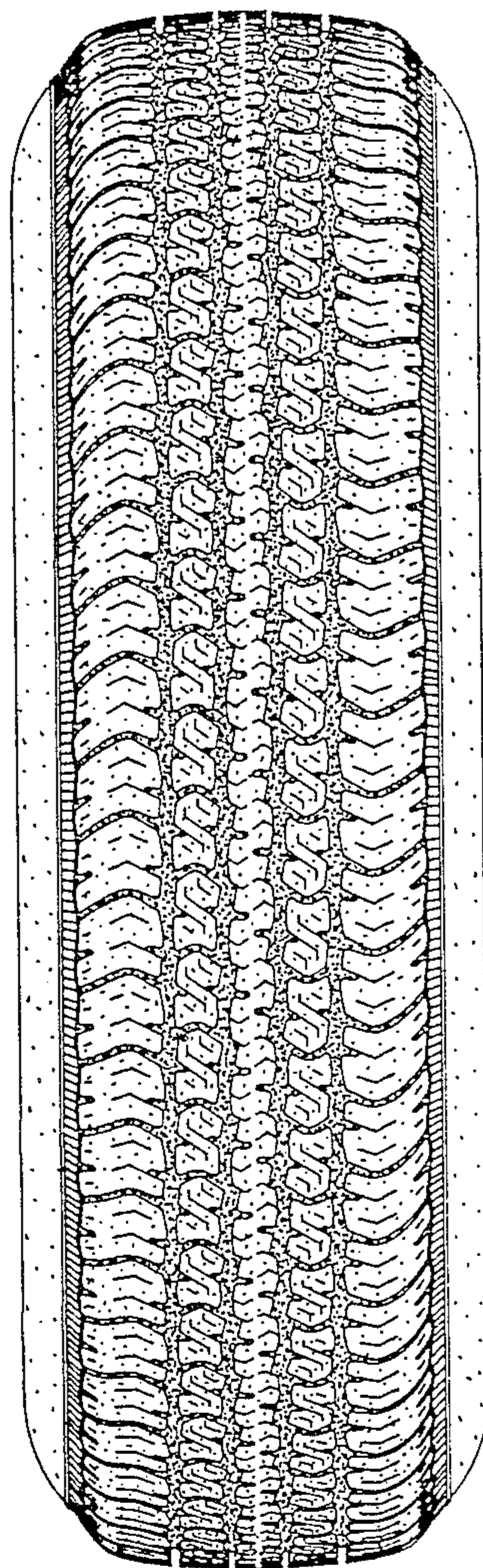


FIG. 2

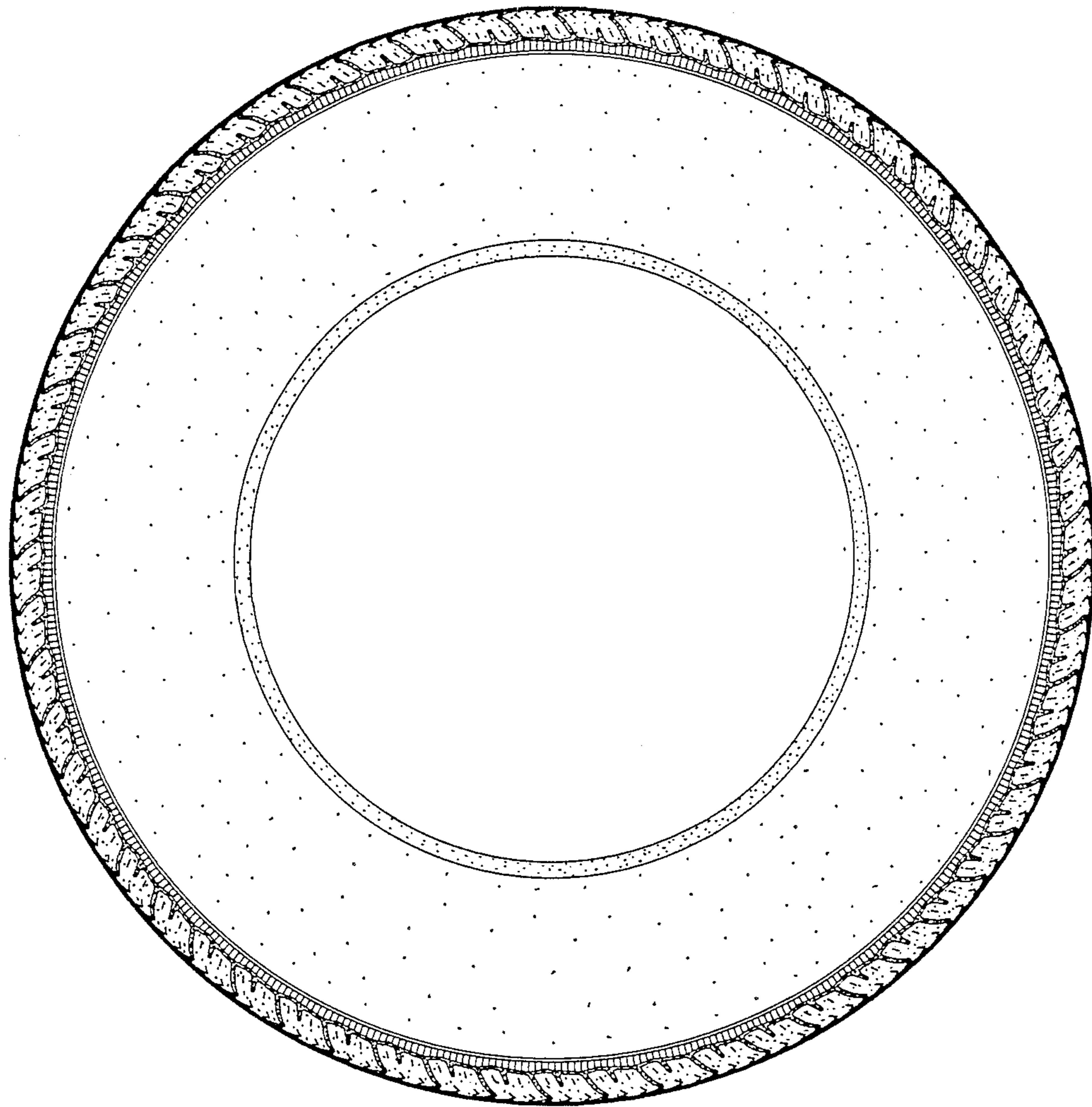


FIG. 3

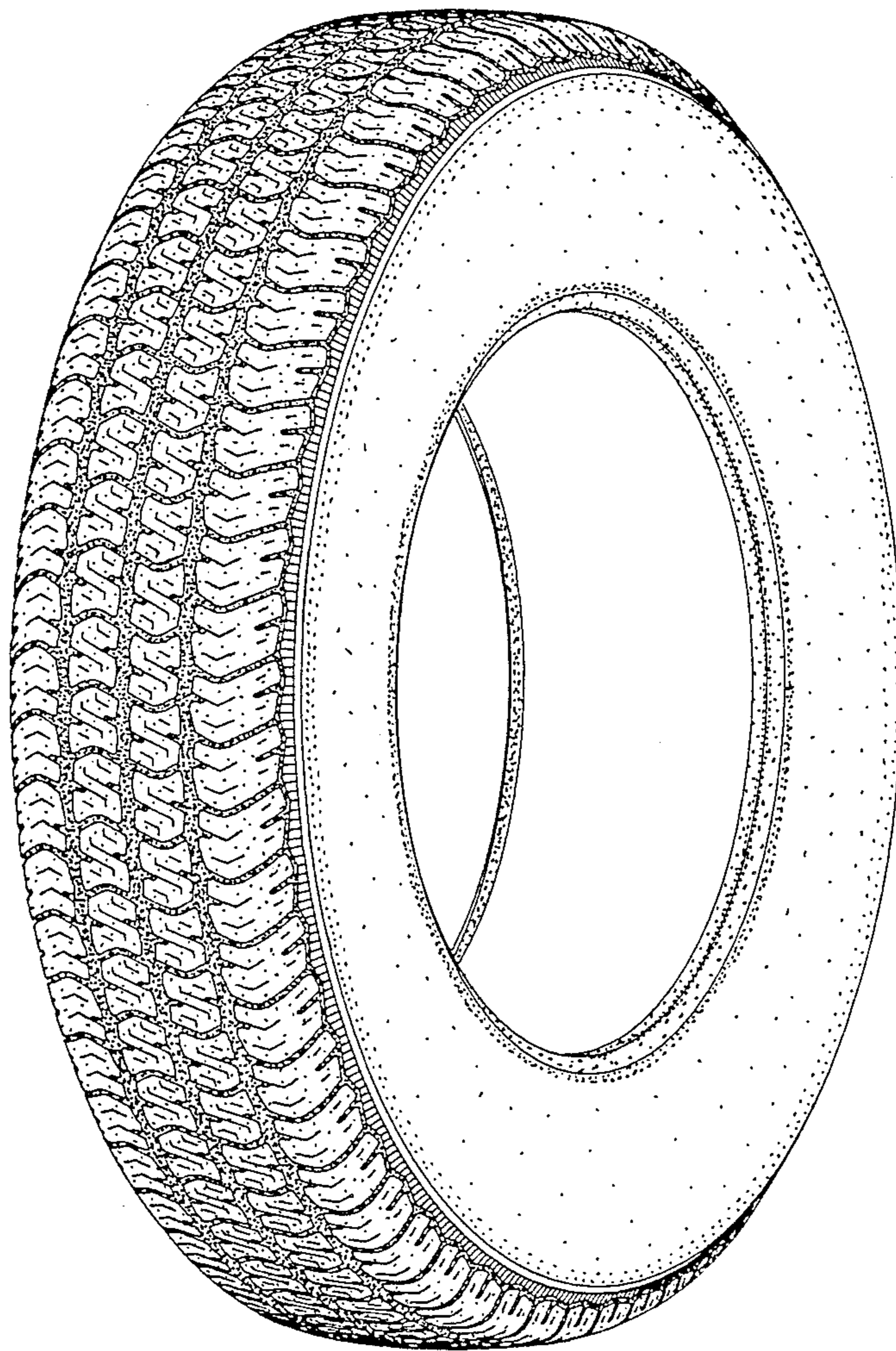


FIG. 4

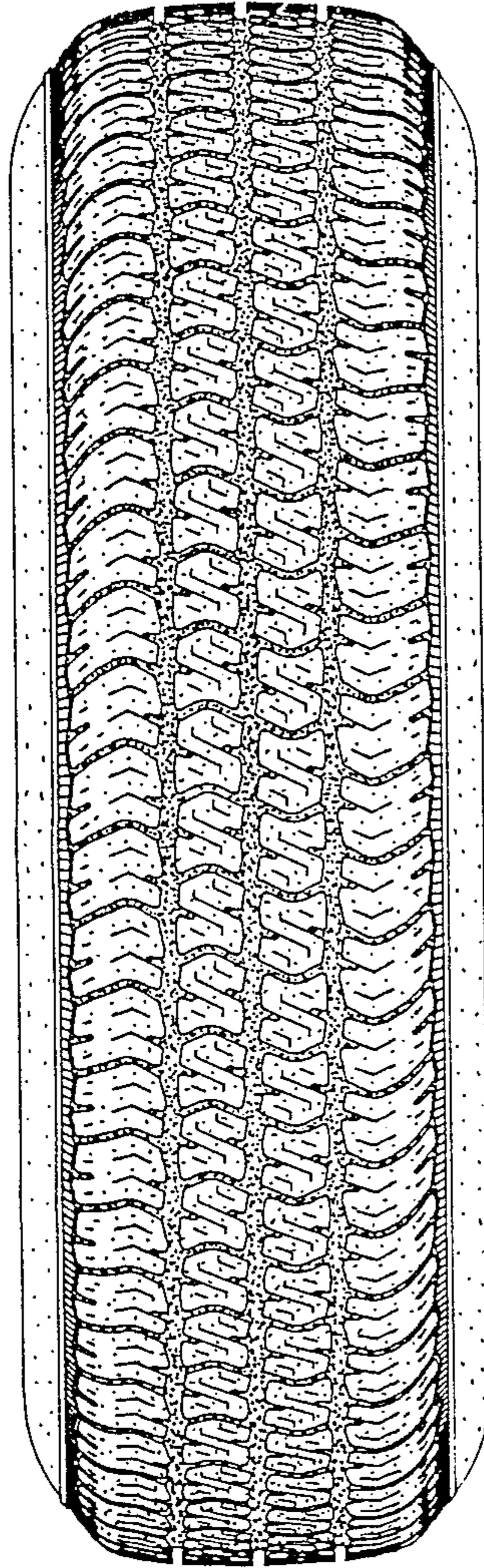


FIG. 5

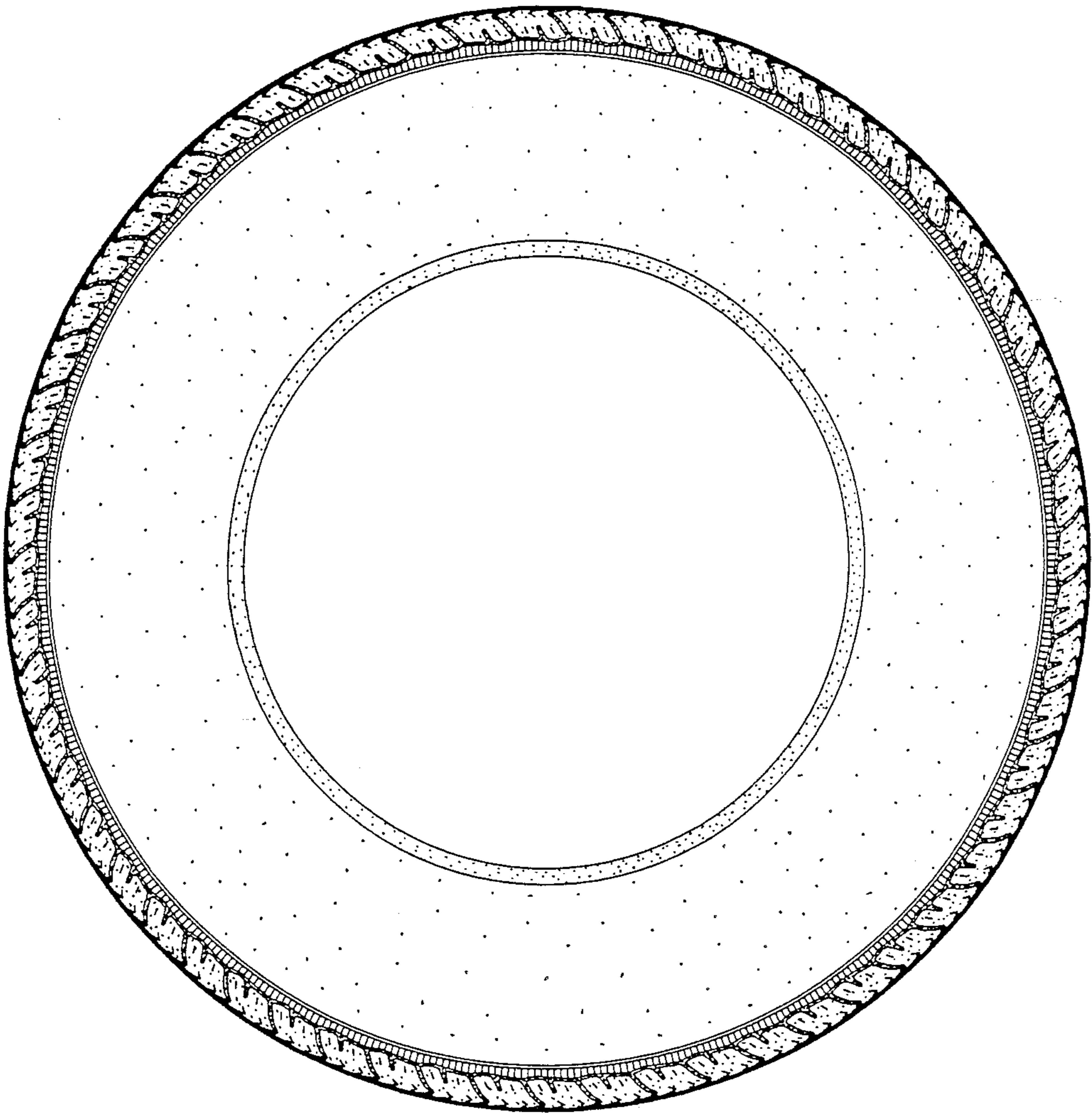


FIG. 6