

United States Patent [19]

Davison et al.

[11] Patent Number: Des. 312,223

[45] Date of Patent: ** Nov. 20, 1990

[54] ADJUSTABLE SUPPORT FOR A SIGNAL

[75] Inventors: Tracy D. Davison; Vernon E. McElroy, both of Westminster, Colo.

[73] Assignee: Ski Buddy Products, Inc., Westminster, Colo.

[**] Term: 14 Years

[21] Appl. No.: 215,435

[22] Filed: Jul. 1, 1988

[52] U.S. Cl. D10/113

[58] Field of Search D10/104, 109, 113; 40/591; 116/63 P

[56] **References Cited**

U.S. PATENT DOCUMENTS

1,863,756	6/1932	Luskin	116/63 P
2,192,635	3/1940	Bricker	116/63 P
2,237,536	4/1941	Wells, Jr.	116/63 P
2,712,809	7/1955	Clarke	D10/113
2,806,670	9/1957	Straster	116/63 P
2,855,890	10/1958	Sprenger et al.	116/63 P

3,023,725 3/1962 Boyd D10/109

Primary Examiner—Wallace R. Burke
Assistant Examiner—Marcus Jackson
Attorney, Agent, or Firm—Donald W. Margolis

[57] **CLAIM**

The ornamental design for an adjustable support for a signal, as shown and described.

DESCRIPTION

FIG. 1 is a front perspective view for an adjustable support for a signal showing my new design with the signal shown in upright condition with the broken lines shown for illustrative purposes only and forming no part of the claimed design;

FIG. 2 is a rear perspective view, with the signal shown in closed condition;

FIG. 3 is a bottom plan view thereof;

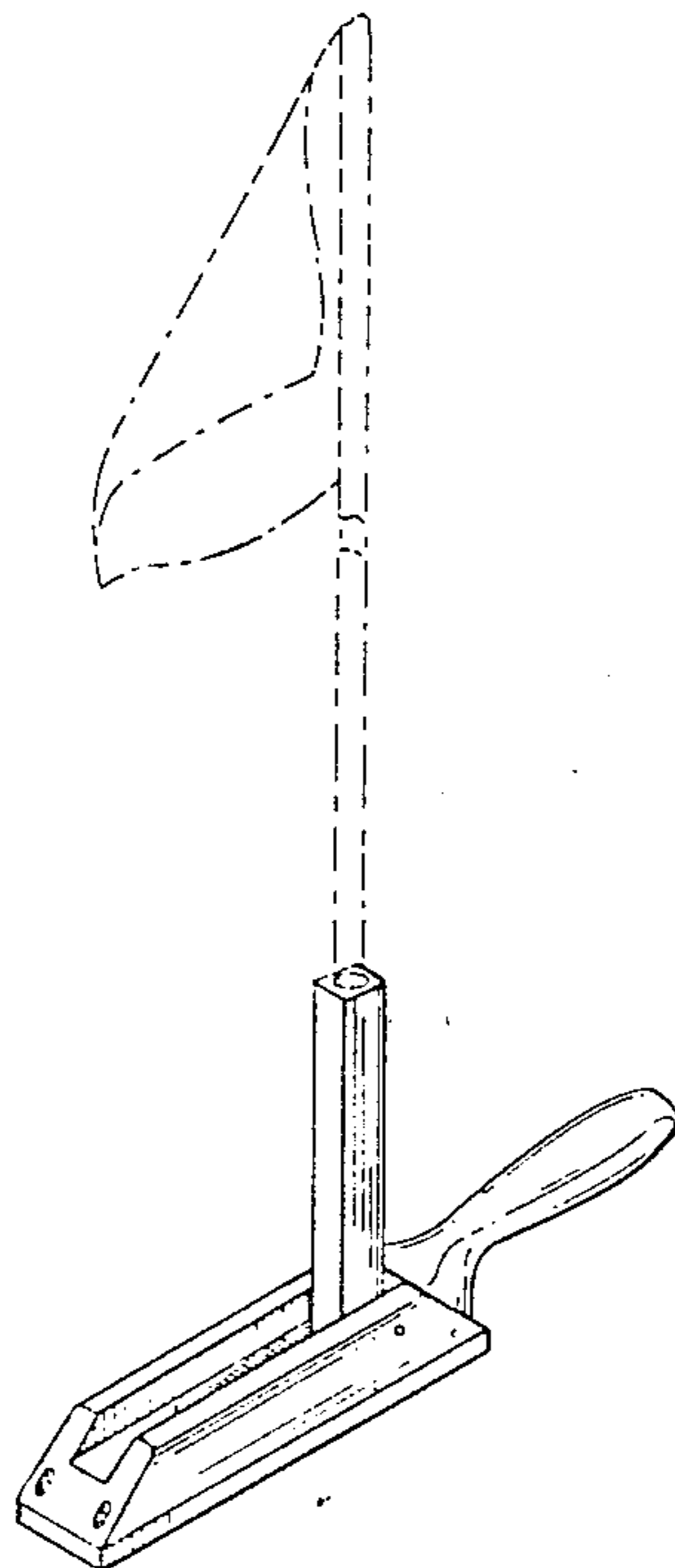
FIG. 4 is a left side elevational view thereof;

FIG. 5 is a top plan view thereof;

FIG. 6 is a right side elevational view thereof;

FIG. 7 is a front elevational view thereof;

FIG. 8 is a rear elevational view thereof.



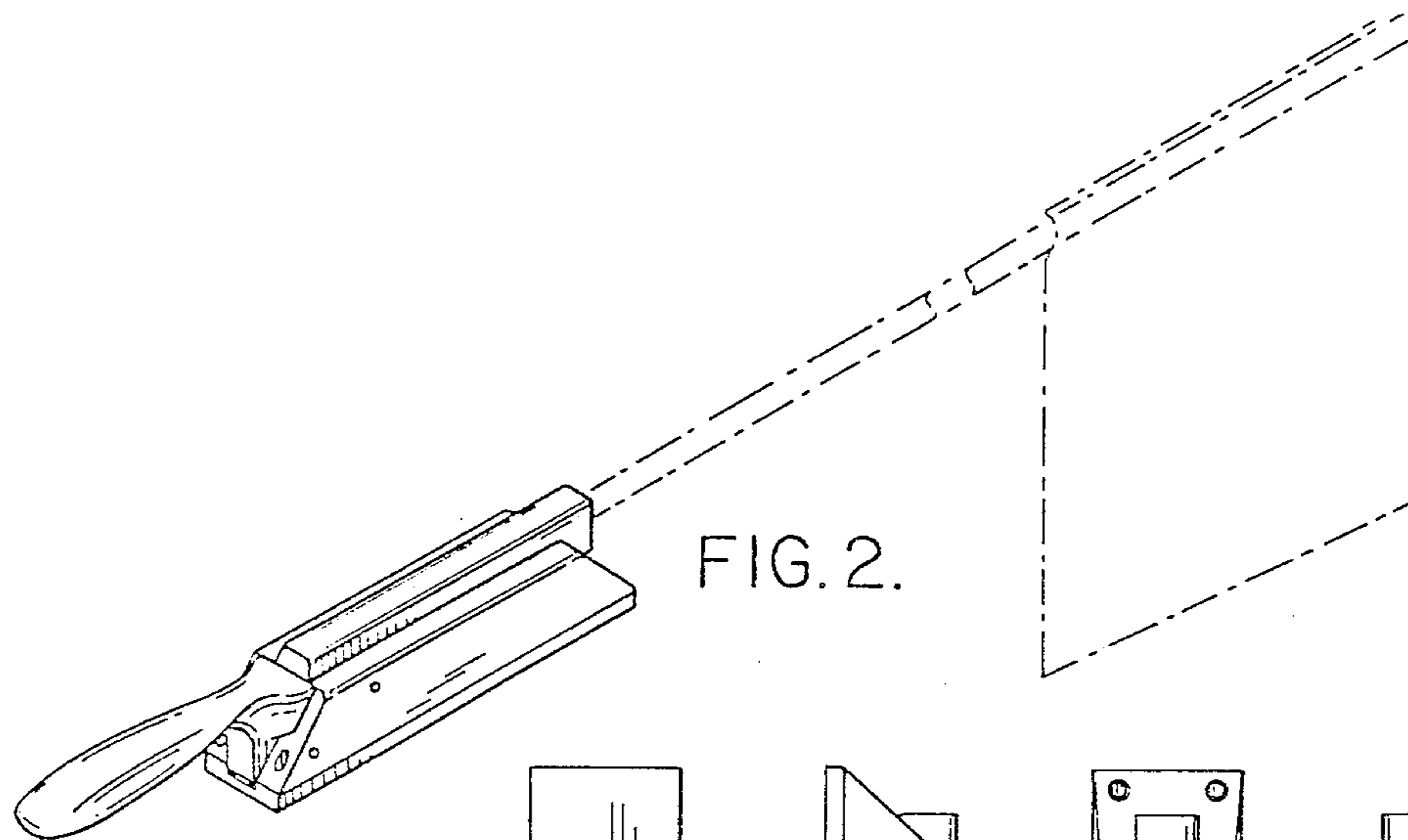


FIG. 2.

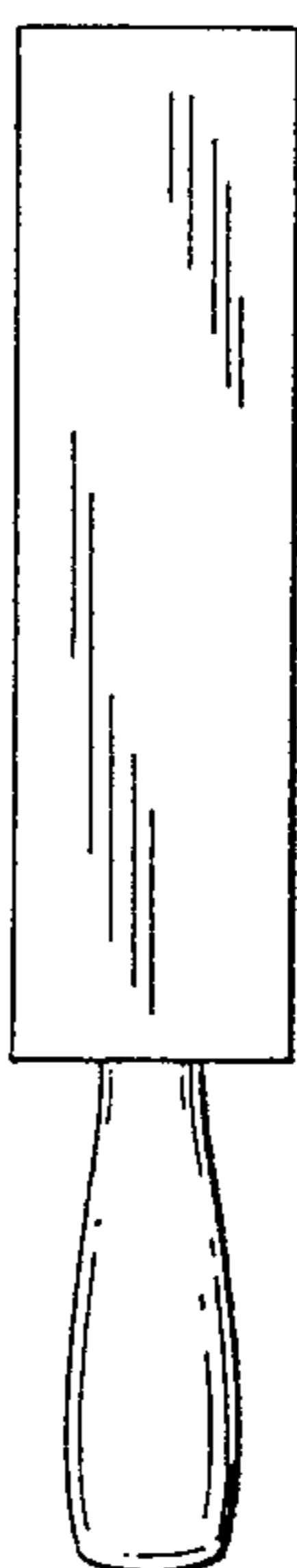
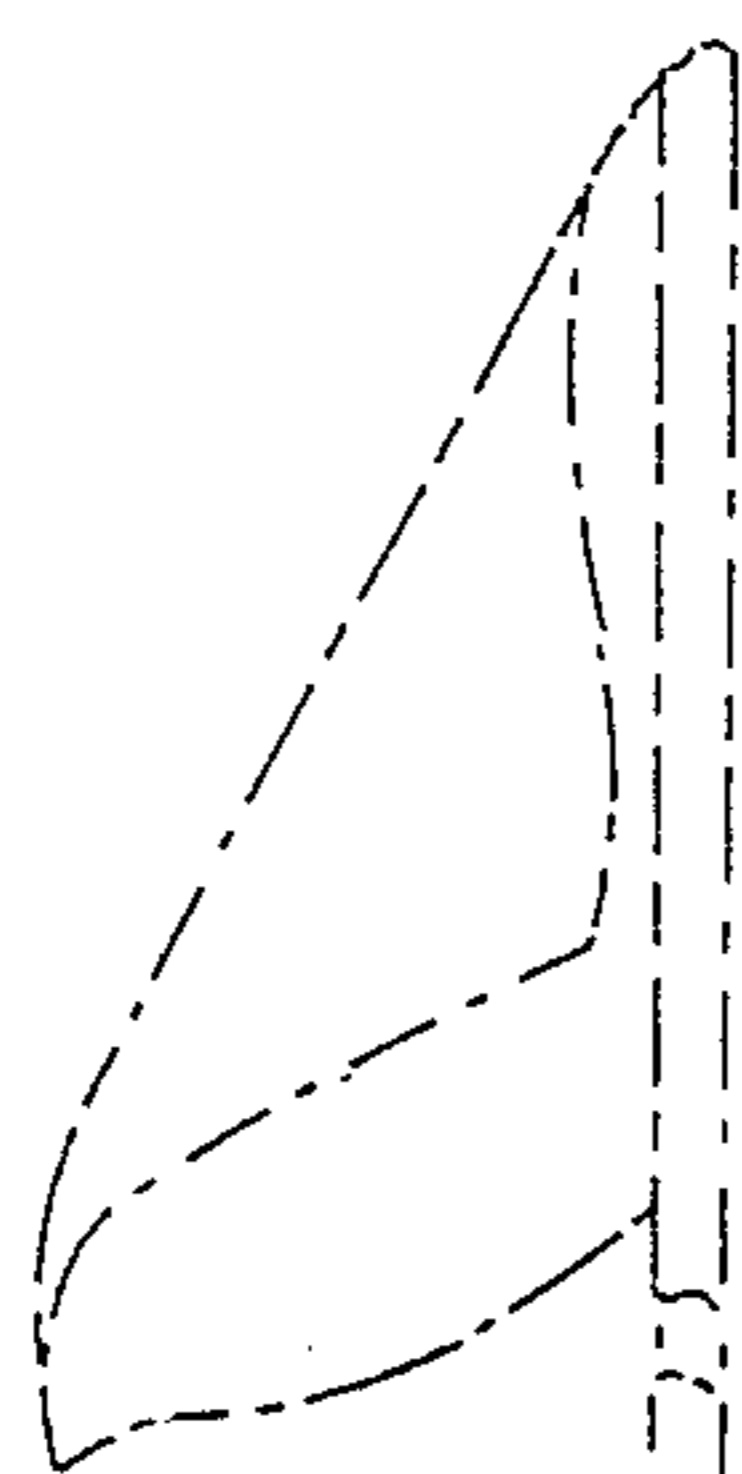


FIG. 3.



FIG. 4.

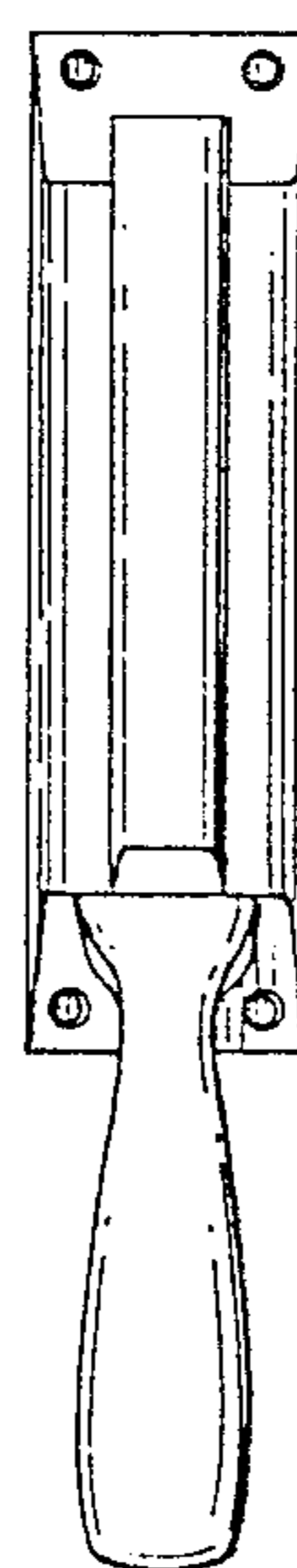


FIG. 5.

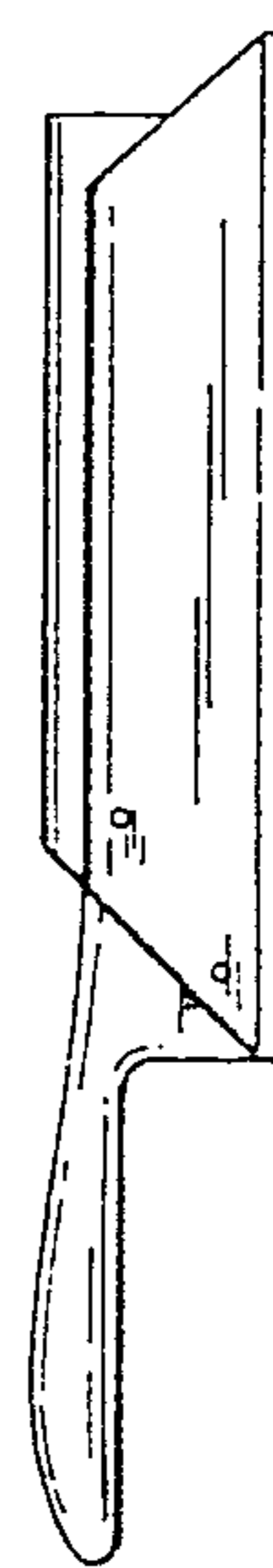


FIG. 6.

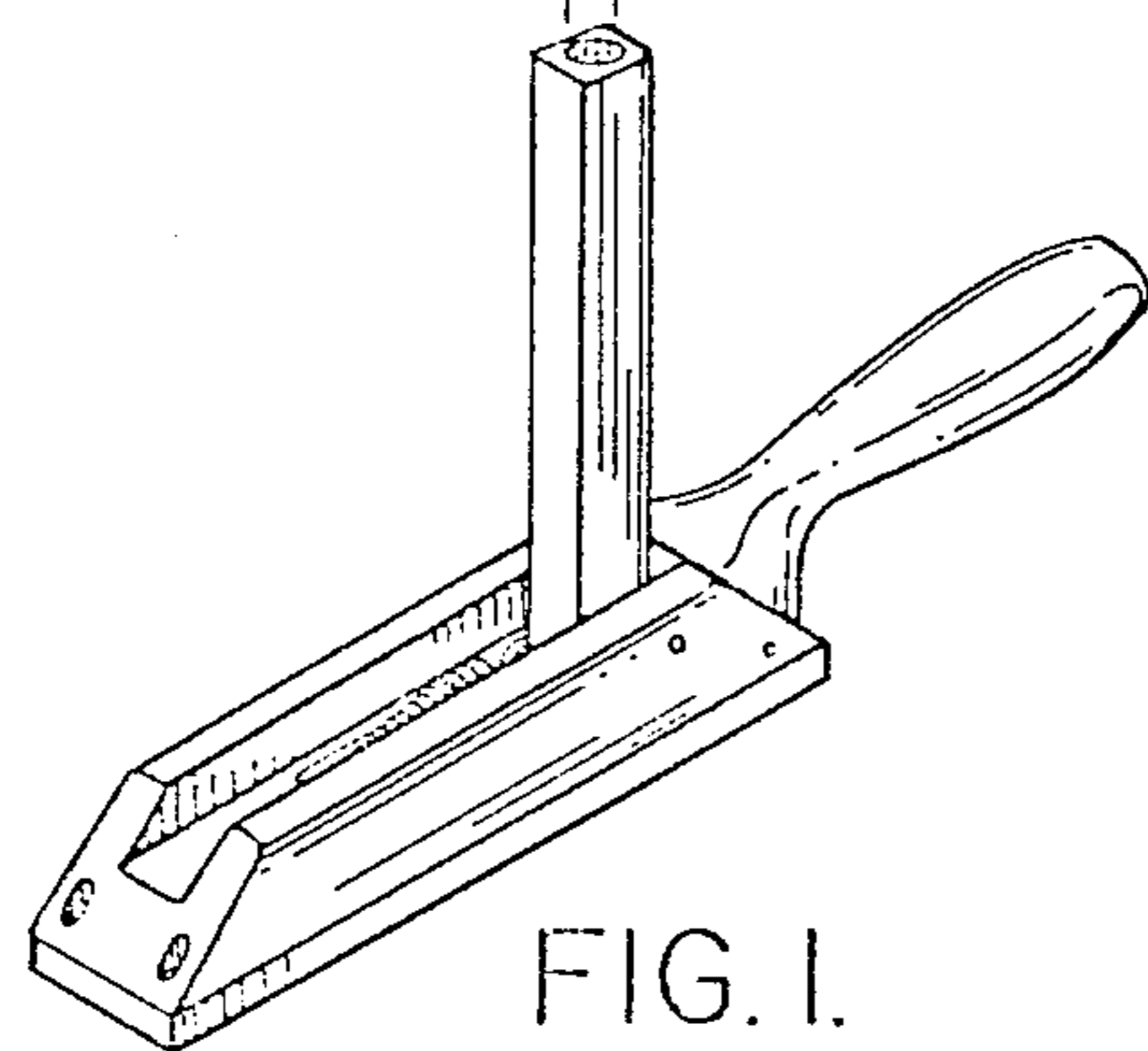


FIG. 1.

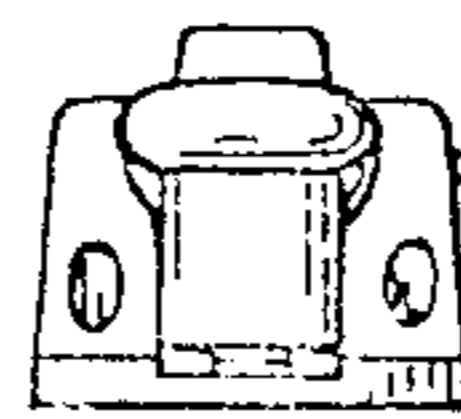


FIG. 7.

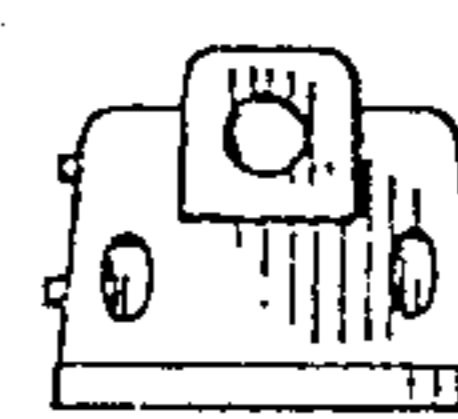


FIG. 8.