

[54] HEIGHT MEASURING IMPLEMENT

[75] Inventor: Dong M. Kang, Seoul, Rep. of Korea

[73] Assignee: Korea Measures Co., Ltd., Busan, Rep. of Korea

[\*\*] Term: 14 Years

[21] Appl. No.: 163,464

[22] Filed: Mar. 3, 1988

[30] Foreign Application Priority Data

Nov. 26, 1987 [KR] Rep. of Korea ..... 17771/1987

[52] U.S. Cl. .... D10/70

[58] Field of Search ..... D10/70, 72, 74; 33/700, 33/755, 756, 757, 758, 759, 760, 761, 762, 763, 764, 765, 766, 767, 768, 769, 770

[56] References Cited

U.S. PATENT DOCUMENTS

- 25,973 8/1896 Schiess ..... D10/72
- D. 187,493 3/1960 Zucherman ..... D10/71
- D. 190,525 6/1961 Stroyman et al. .... D10/71
- D. 212,259 9/1968 Milan ..... D10/71
- D. 242,606 12/1976 Lucci et al. .... D10/71

- D. 273,212 3/1984 Sahler ..... D10/72 X
- D. 277,464 2/1985 Bergstedt et al. .... D10/71
- D. 277,833 3/1985 Bergstedt ..... D10/71
- D. 277,939 3/1985 Bergstedt et al. .... D10/71
- D. 277,940 3/1985 Bergstedt et al. .... D10/71
- 2,824,372 2/1958 Bottenfield ..... 33/3 A

Primary Examiner—Nelson C. Holtje  
Assistant Examiner—Antoine D. Davis  
Attorney, Agent, or Firm—Flynn, Thiel, Boutell & Tanis

[57] CLAIM

The ornamental design for a height measuring implement, as shown and described.

DESCRIPTION

FIG. 1 is a top, front, and right perspective view of a height measuring instrument showing my new design, in a partially extended position;  
FIG. 2 is a front elevational view in the fully retracted position;  
FIG. 3 is a rear elevational view of FIG. 2;  
FIG. 4 is a left side elevational view of FIG. 2;  
FIG. 5 is a top plan view of FIG. 2;  
FIG. 6 is a bottom plan view of FIG. 2; and  
FIG. 7 is a cross-sectional view as taken from the line 7—7 of FIG. 2.

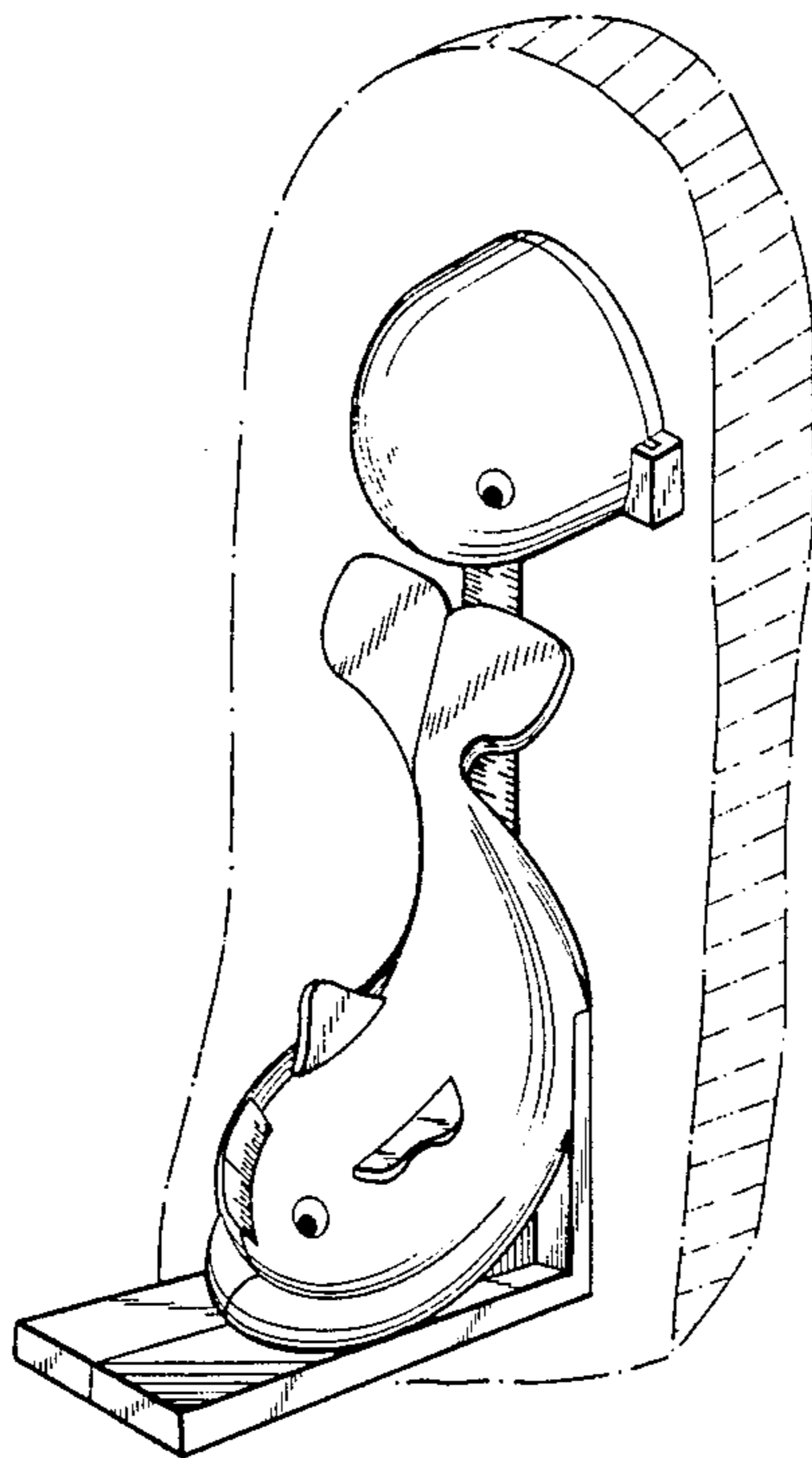


Fig 1

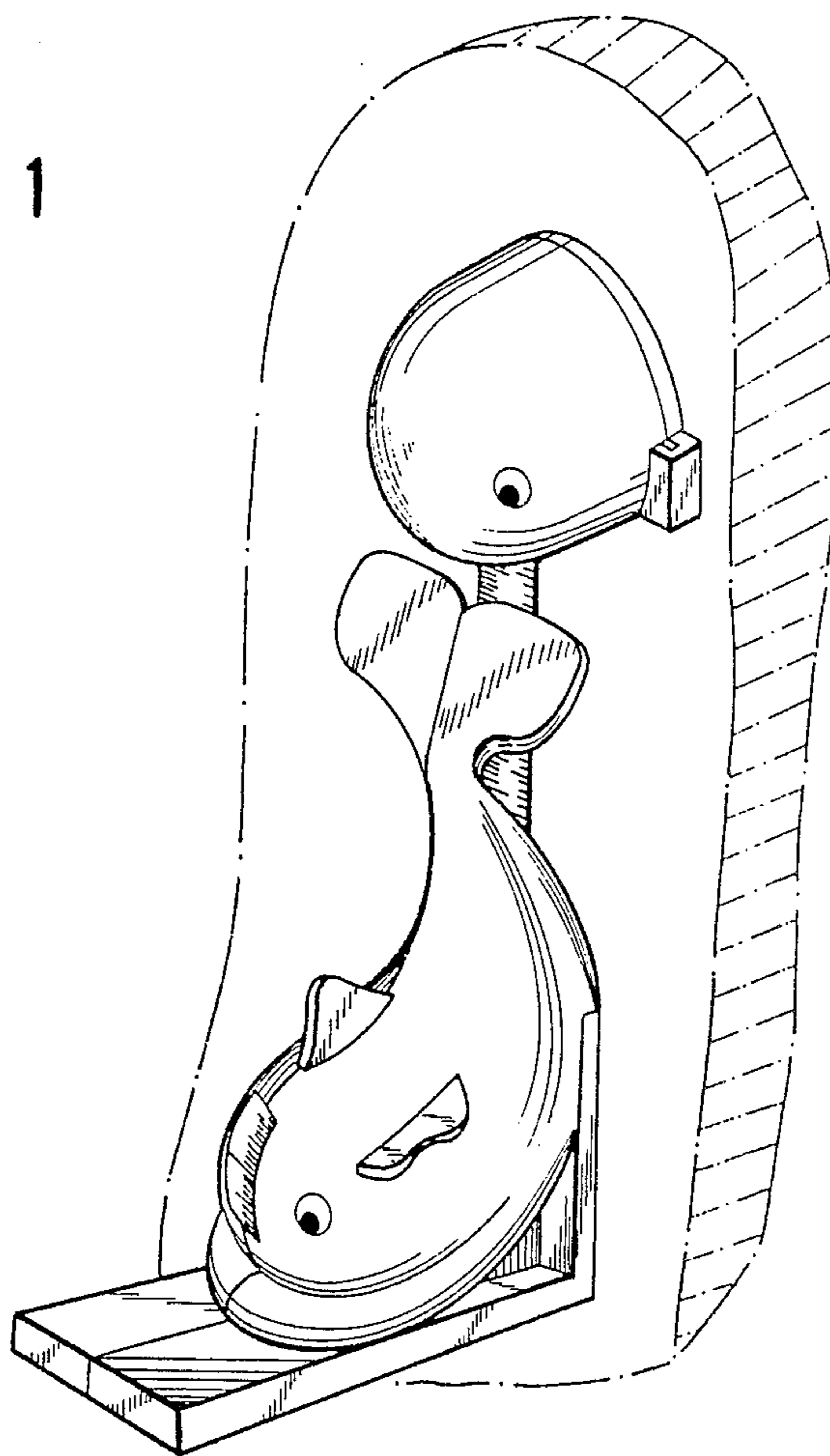


Fig 2

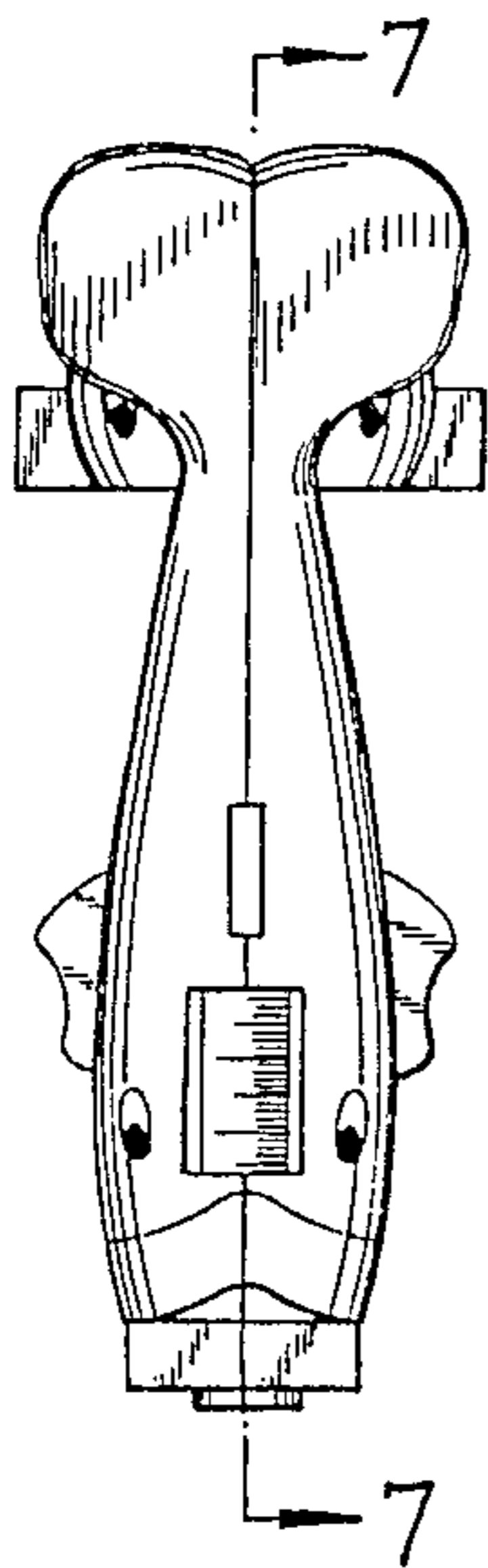


Fig 3

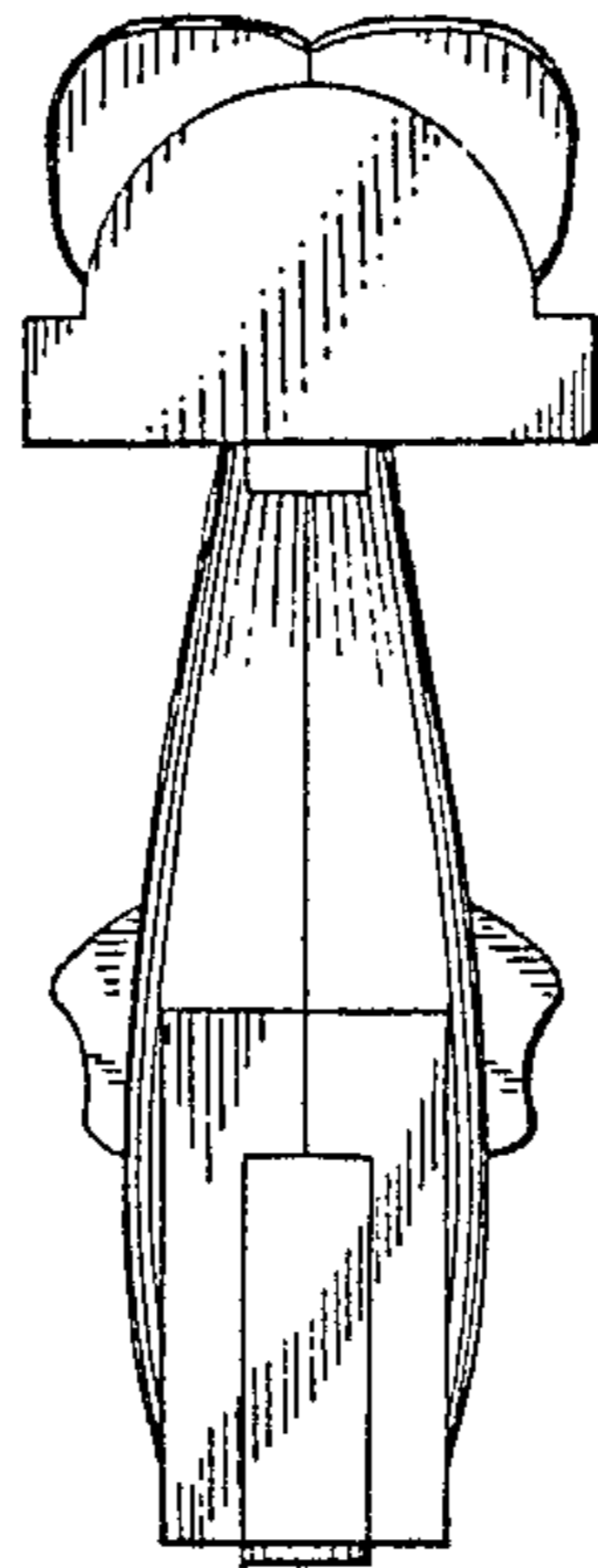


Fig 4

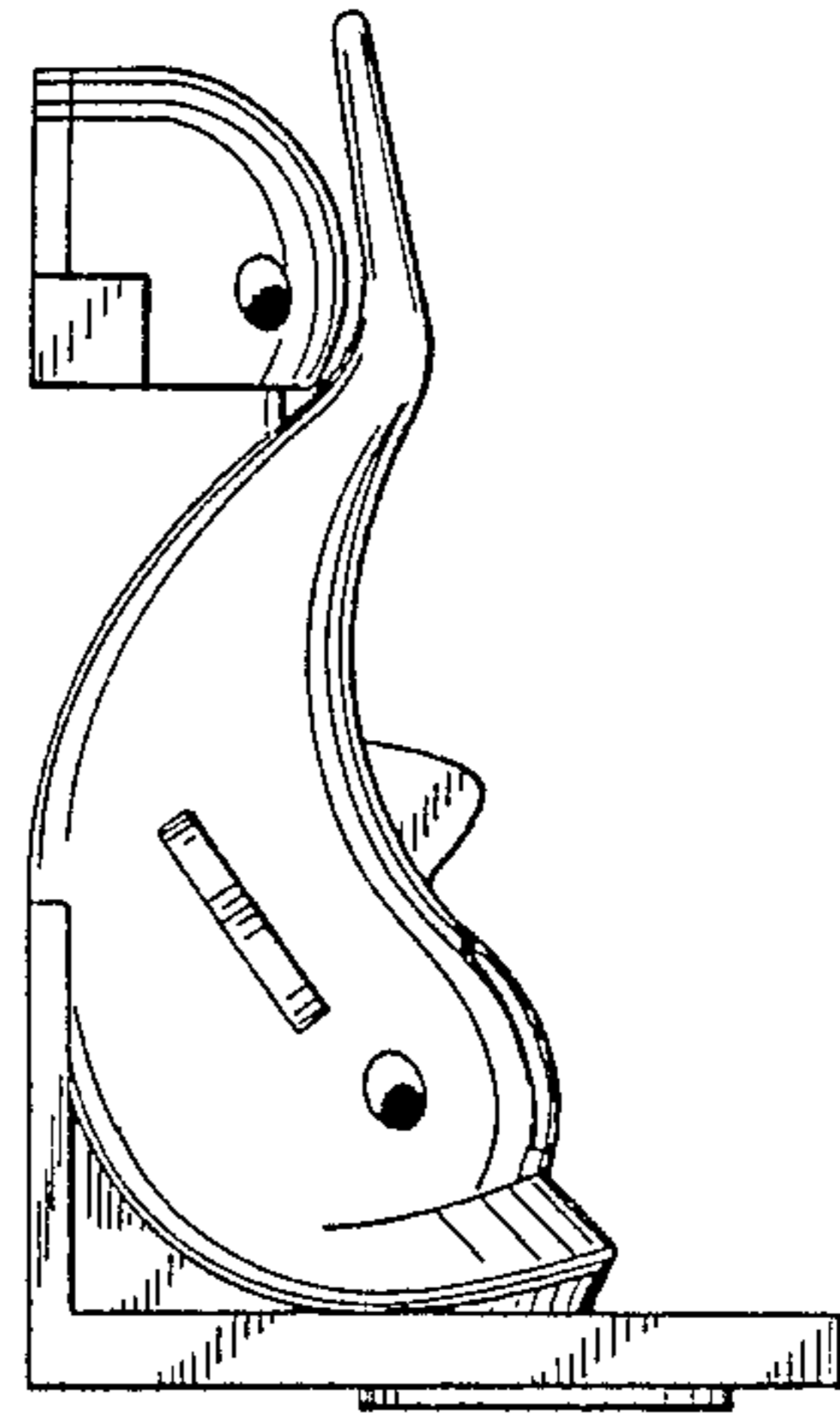


Fig 7

Fig 5

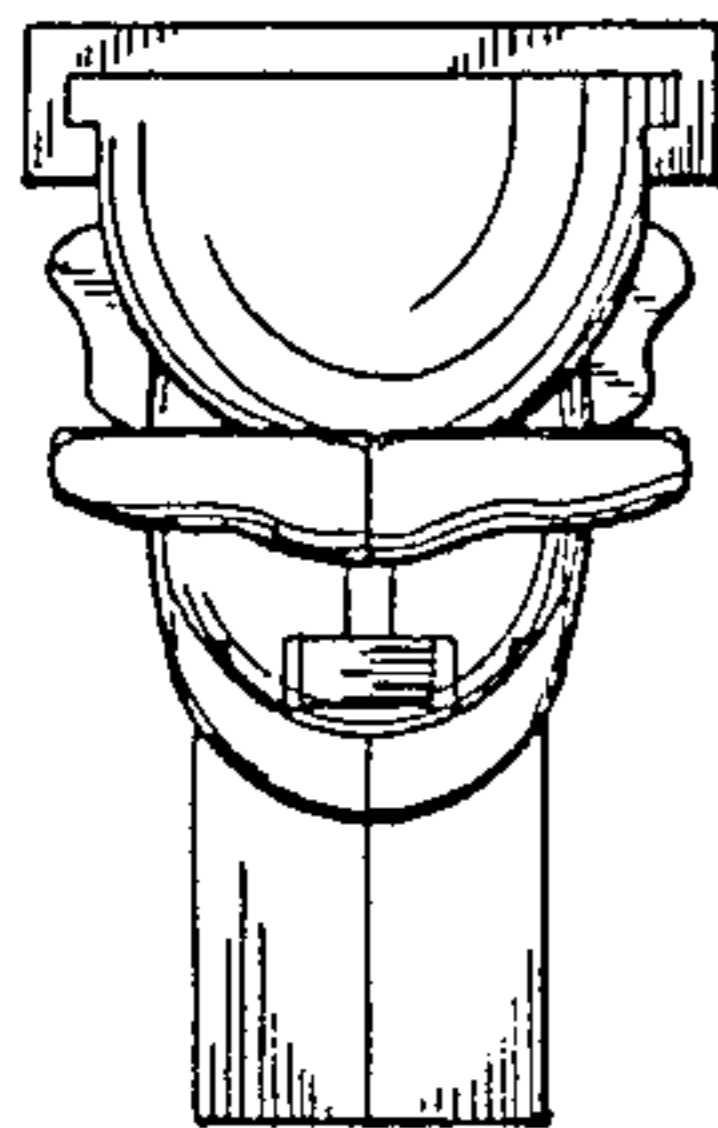


Fig 6

