

[54] **CONTAINER COVER**
[76] **Inventor: John E. Hodge, 409 E. 12th St.,
Davenport, Iowa 52803**
[**] **Term: 14 Years**
[21] **Appl. No.: 21,426**
[22] **Filed: Mar. 4, 1987**
[52] **U.S. Cl. D9/435; D34/40**
[58] **Field of Search D7/40, 392.1; D9/341,
D9/342, 345, 420, 424, 429, 432, 435, 438, 443,
452-454, 456; 206/229, 612; 215/232, 250, 255,
258; 220/200, 259, 269, 306, 304, 337, 338, 367;
229/3.5 MF, 87 B, 87 P, 123.2; D34/8, 40**

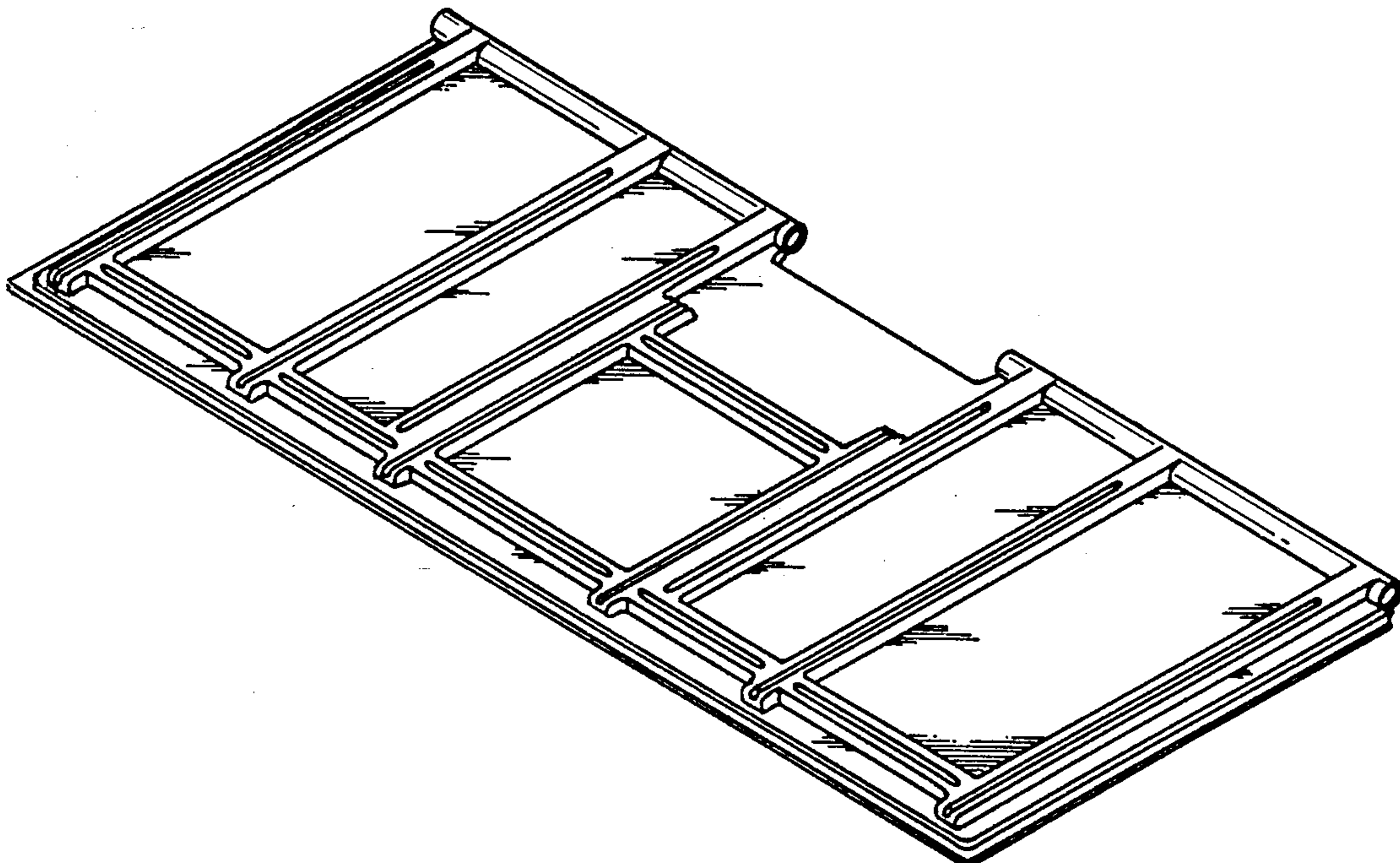
3,628,685 12/1971 Gordon 220/334
3,841,516 10/1974 März 220/334
4,161,261 7/1979 Frater 220/337
4,210,252 7/1980 Cooke et al. 220/334
4,620,644 11/1986 Miller 220/337
4,655,088 4/1987 Box 220/337

Primary Examiner—A. Hugo Word
Assistant Examiner—Celia A. Murphy
Attorney, Agent, or Firm—Robert O. Richardson

[56] **References Cited**
U.S. PATENT DOCUMENTS
D. 164,628 9/1951 Davis D9/435
D. 249,637 9/1978 Iten D9/341

[57] **CLAIM**
The ornamental design for a container cover, as shown and described.

DESCRIPTION
FIG. 1 is a top perspective view of a container cover showing my new design;
FIG. 2 is a top plan view thereof; the side opposite being plain and unornamented;
FIG. 3 is a right side elevational view thereof; and
FIG. 4 is a front elevational view thereof.



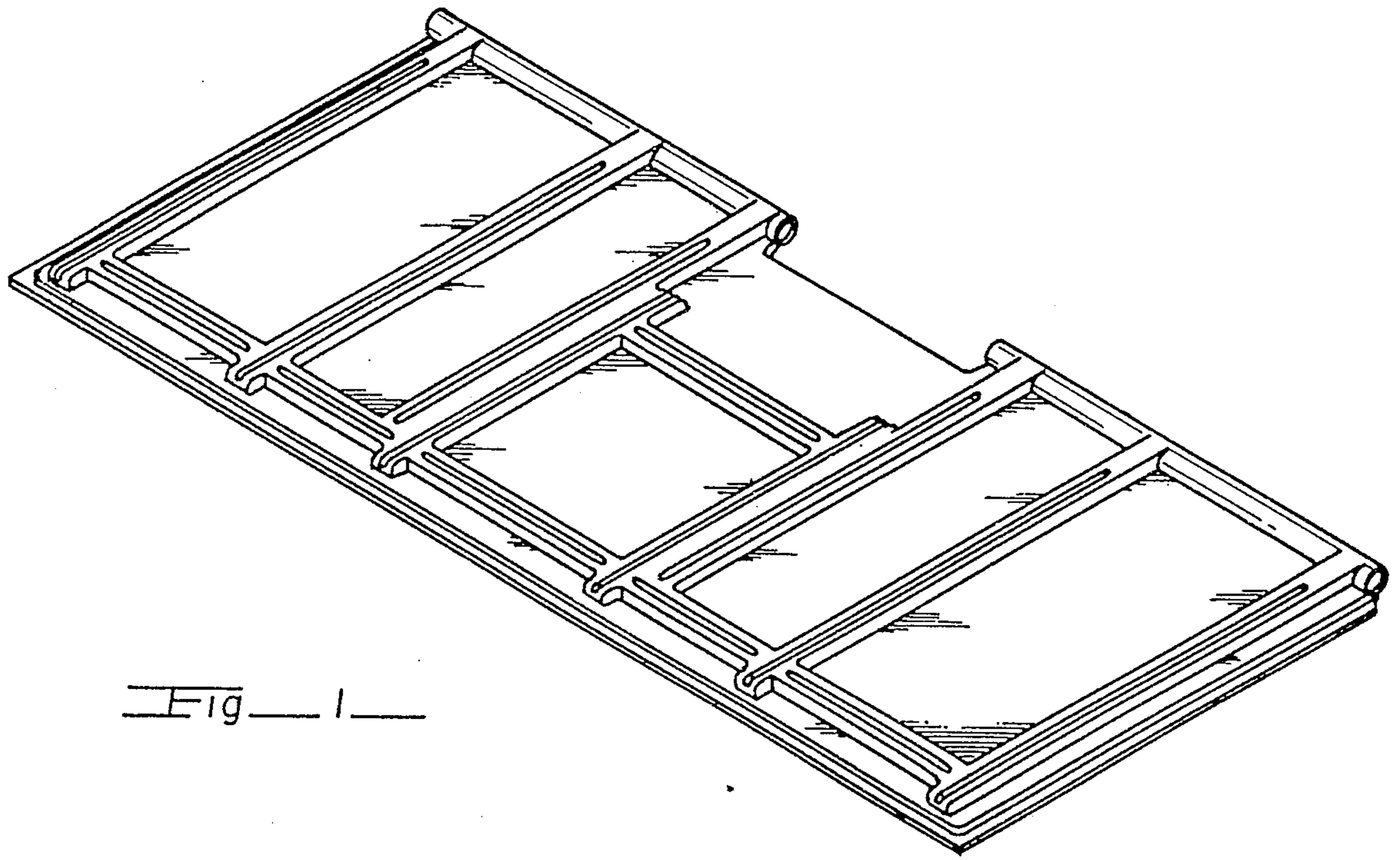


Fig. 1

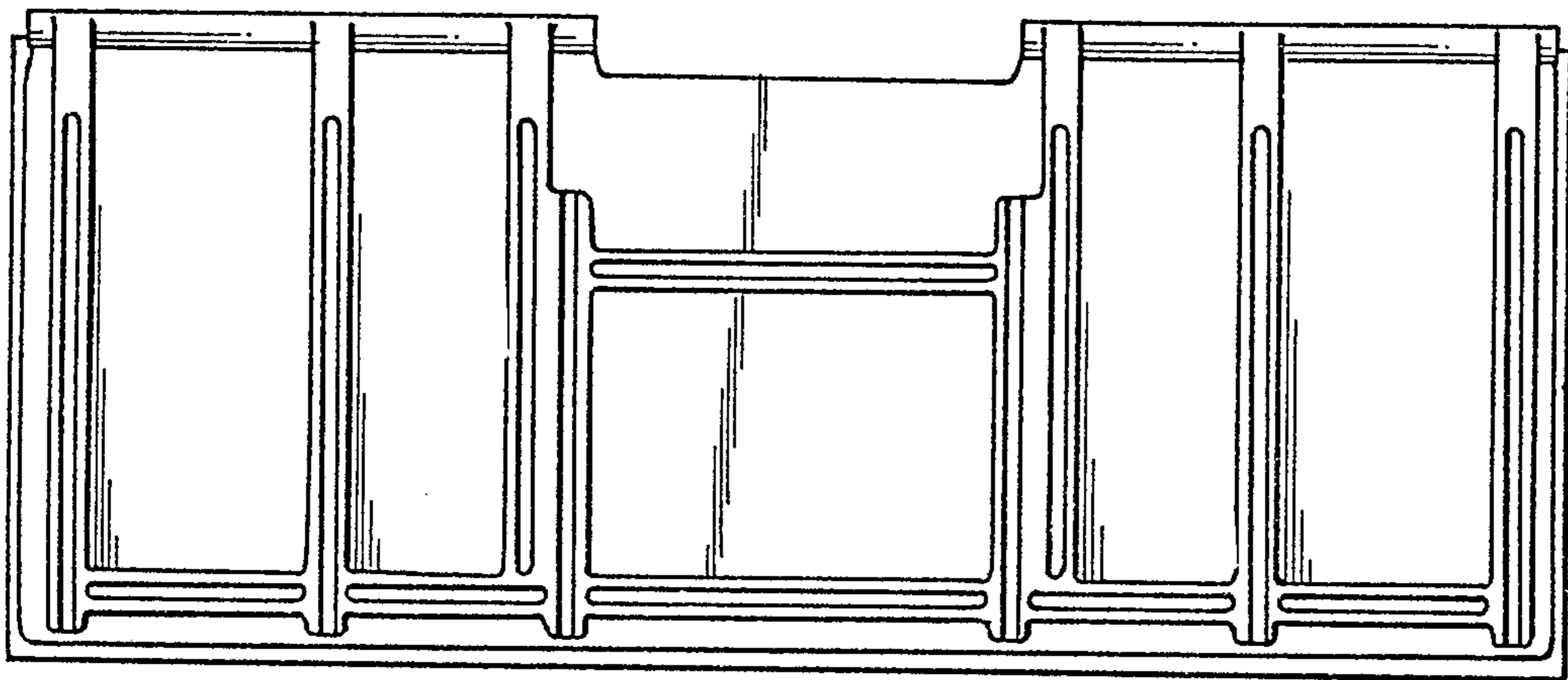


Fig. 2



Fig. 3

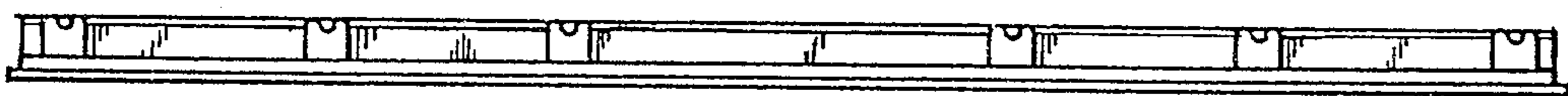


Fig. 4