

United States Patent [19]
de Rooij

[11] **Patent Number: Des. 312,205**
 [45] **Date of Patent: ** Nov. 20, 1990**

[54] **SUSPENSION BOW**
 [75] **Inventor: Cornelis T. de Rooij, Waalwijk, Netherlands**
 [73] **Assignee: Ritom Mortier Handelmaatschappij B.V., Waalwijk, Netherlands**

3,237,332	3/1966	Petrey	40/152
3,694,947	10/1977	Mulai et al.	40/152
4,509,278	4/1985	Astolfi	40/156
4,641,441	2/1987	Roth	40/156
4,704,814	11/1987	Astolfi	40/156
4,750,282	6/1988	Zenedjion	40/152
4,802,294	2/1989	Baus	40/156
4,805,325	2/1989	Cassard	40/152

[**] **Term: 14 Years**

[21] **Appl. No.: 91,937**

Primary Examiner—Horace B. Fay, Jr.
Attorney, Agent, or Firm—Ladas & Parry

[22] **Filed: Sep. 1, 1987**

[57] **CLAIM**

[30] **Foreign Application Priority Data**

Mar. 6, 1987 [XB] Benelux 61908-00

The ornamental design for a suspension bow, as shown and described.

[52] **U.S. Cl.** **D8/373; 40/156; D8/499; D8/349**

DESCRIPTION

[58] **Field of Search** **D8/373, 356; 40/152, 40/156, 152.1; D6/300**

FIG. 1 is an end, top and right side perspective view of a suspension bow showing my new design;
 FIG. 2 is a top plan view thereof;
 FIG. 3 is a right side elevational view thereof, the opposite side being a mirror image;
 FIGS. 4 and 5 are respective opposite end elevational views thereof; and
 FIG. 6 is a bottom plan view thereof.

[56] **References Cited**

U.S. PATENT DOCUMENTS

231,473	8/1880	Brower	40/152
2,811,799	11/1957	Clark	40/152

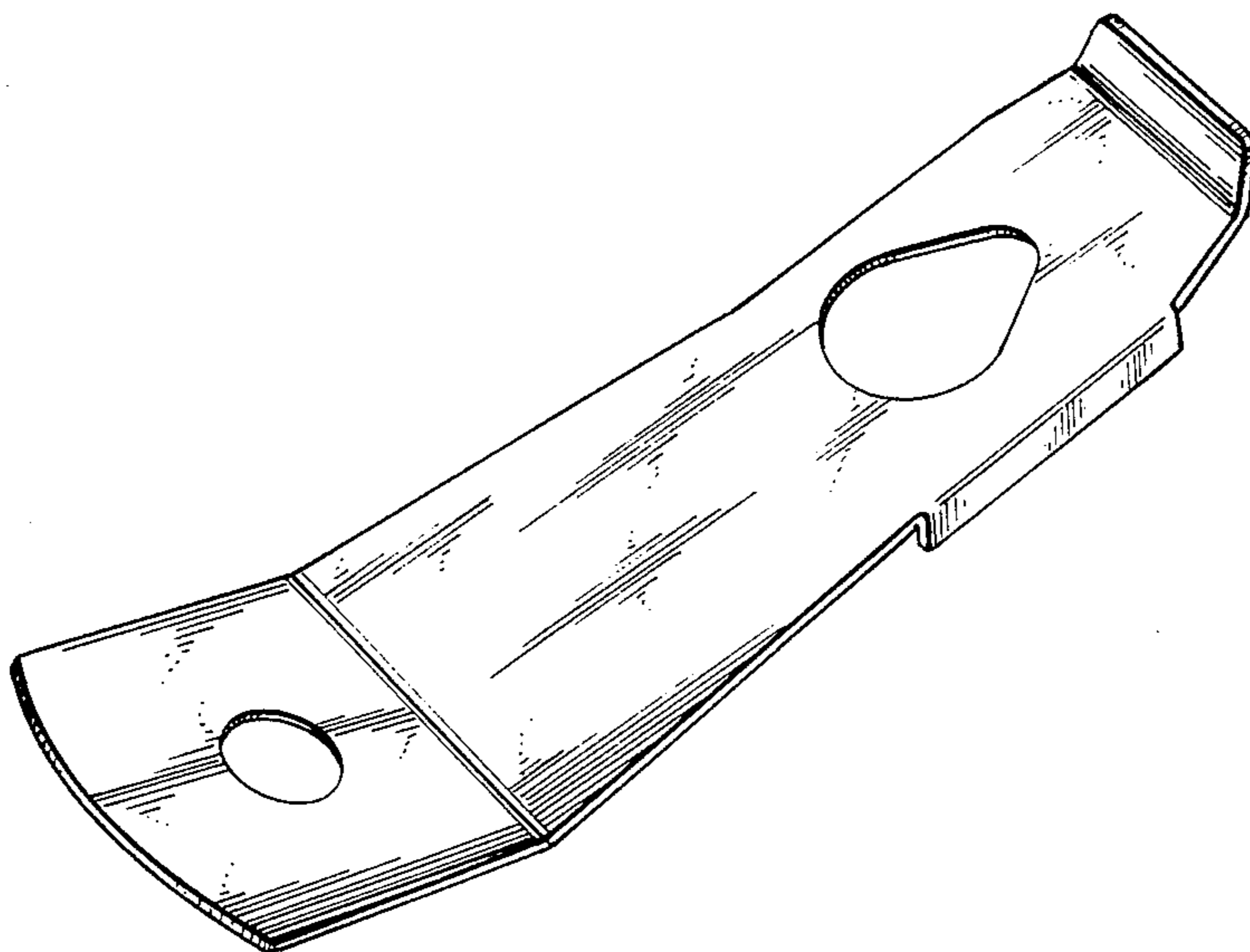


FIG. 1

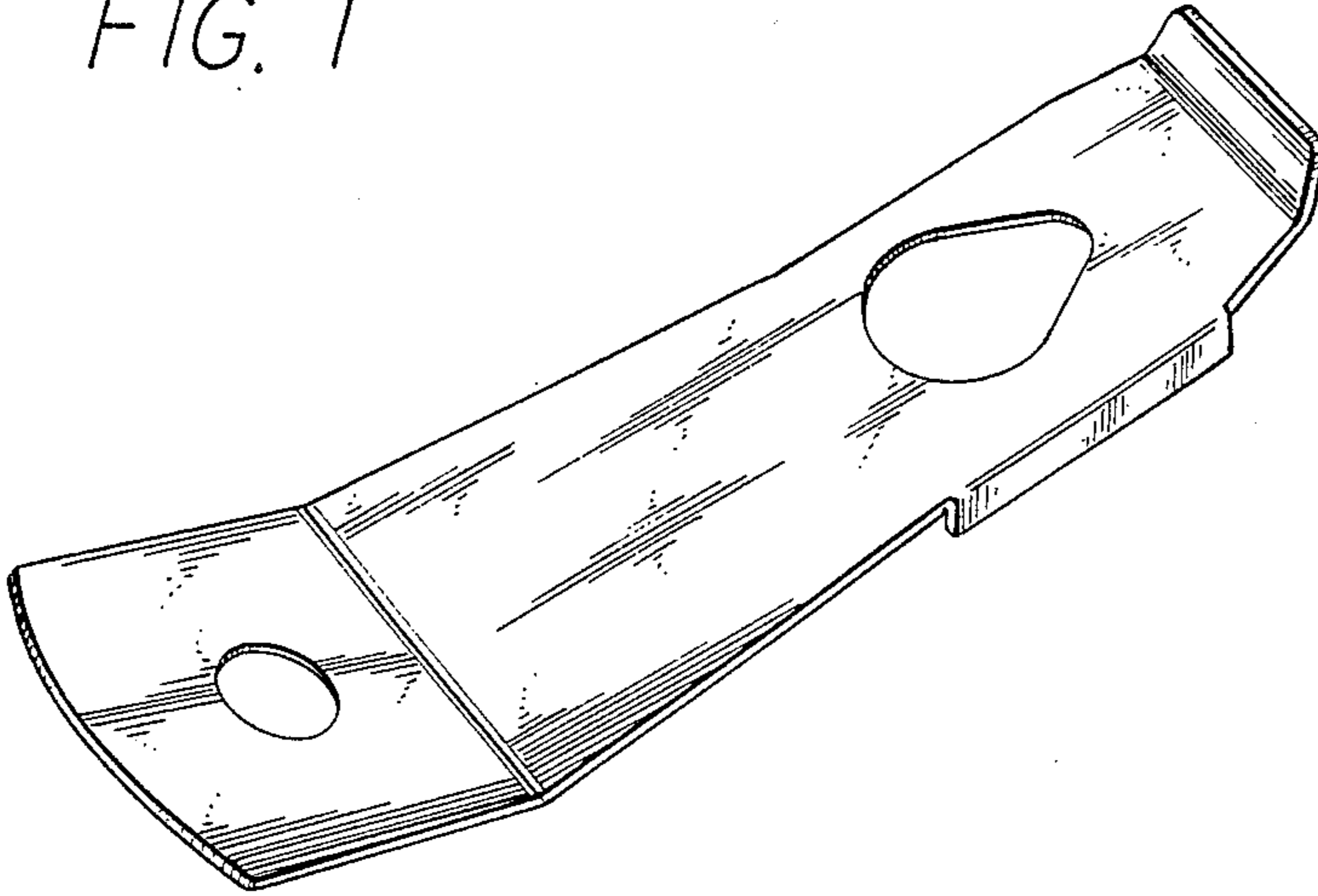


FIG. 2

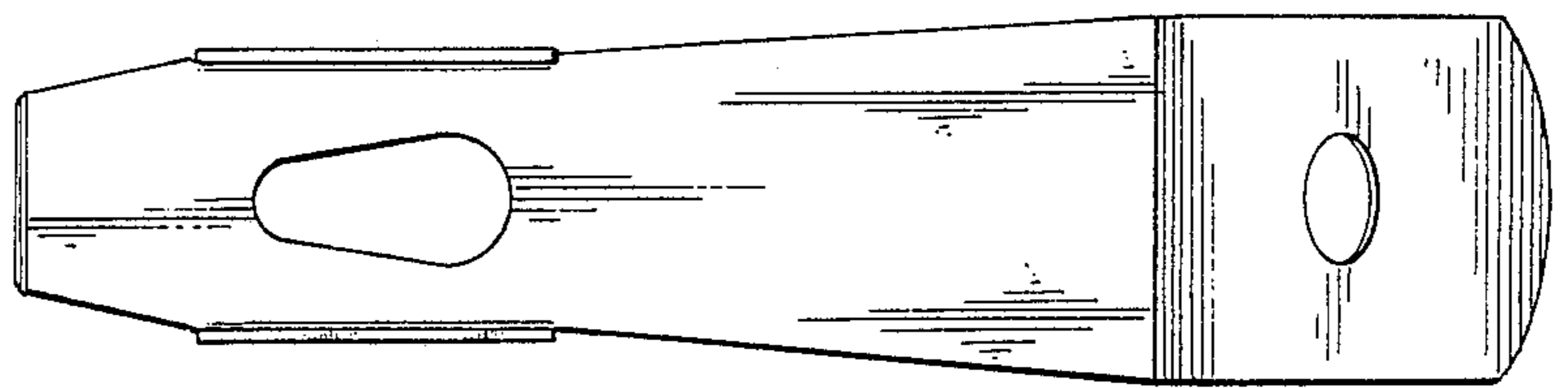


FIG. 3

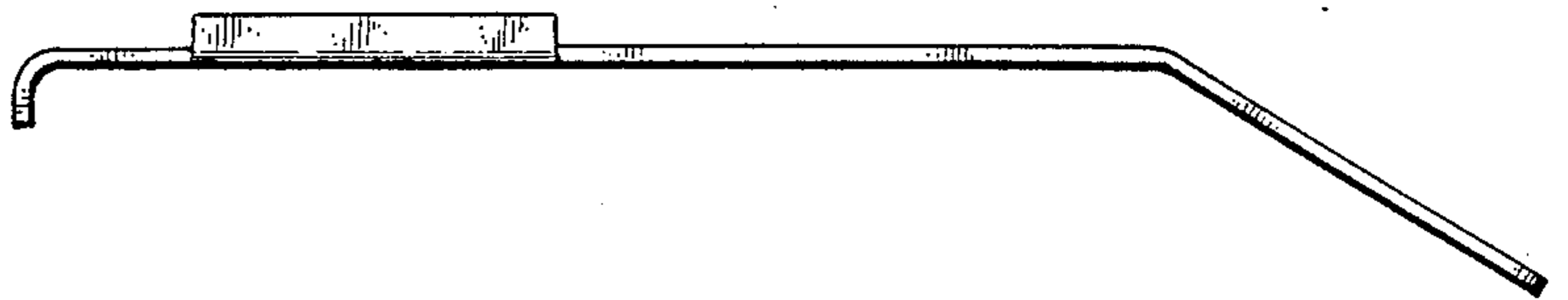


FIG. 4

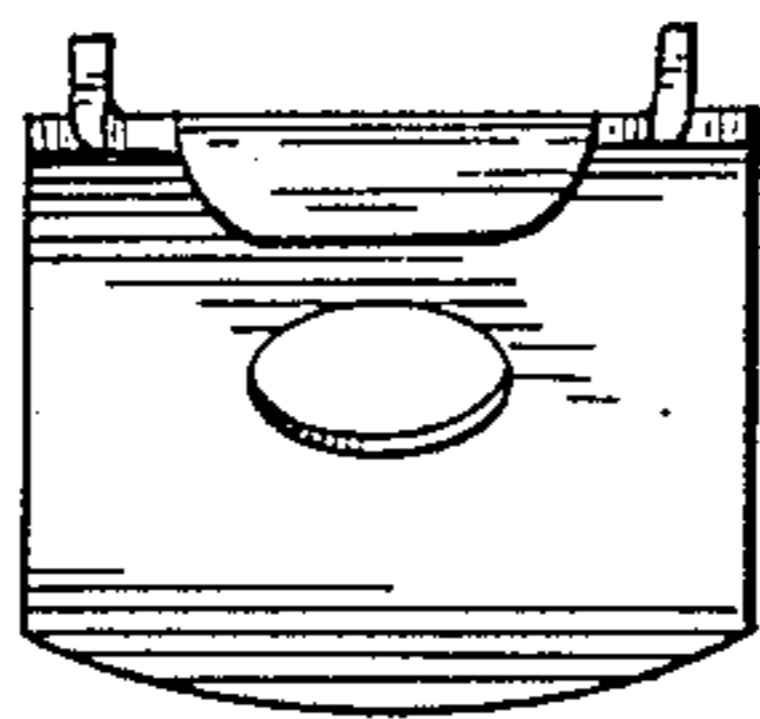


FIG. 5

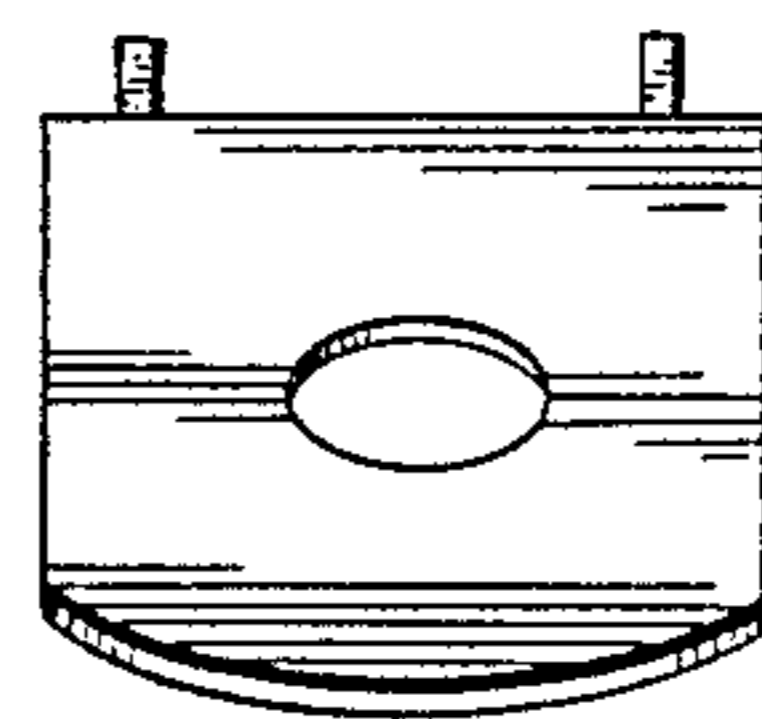


FIG. 6

