

# United States Patent [19]

Nelson

[11] Patent Number: Des. 312,204

[45] Date of Patent: \*\* Nov. 20, 1990

[54] HORSE REEL

[75] Inventor: Terry N. Nelson, Shoreview, Minn.

[73] Assignee: The Specialty Mfg. Co., St. Paul, Minn.

[\*\*] Term: 14 Years

[21] Appl. No.: 208,278

[22] Filed: Jun. 17, 1988

[52] U.S. Cl. .... D8/358

[58] Field of Search ..... D8/358, 359, 356; 242/77, 54 R, 55.18, 55.21, 107.13, 106, 107, 137, 85, 96, 84.8, 115, 116, 86, 86.2, 86.5 R, 283, 118.7; 191/12.2 R, 12.4; 137/355.19, 355.26, 355.22, 355.27, 355.16, 355.12, 355.2; D34/24; D22/137; 248/75-80

[56] References Cited

### U.S. PATENT DOCUMENTS

D. 288,773 3/1987 Ward ..... D8/359

D. 294,450	3/1988	Nelson	.....	D8/359
D. 294,455	3/1988	Nelson	.....	D8/359
D. 294,456	3/1988	Nelson	.....	D8/359
D. 297,302	8/1988	Nelson	.....	D8/359
2,514,862	7/1950	Hannay	.....	242/77
4,506,698	3/1985	Garcia et al.	.....	137/355.26
4,512,361	4/1985	Tisbo et al.	.....	137/355.27
4,700,737	10/1987	Nelson	.....	137/355.27
4,721,833	1/1988	Dubay	.....	242/54 R X

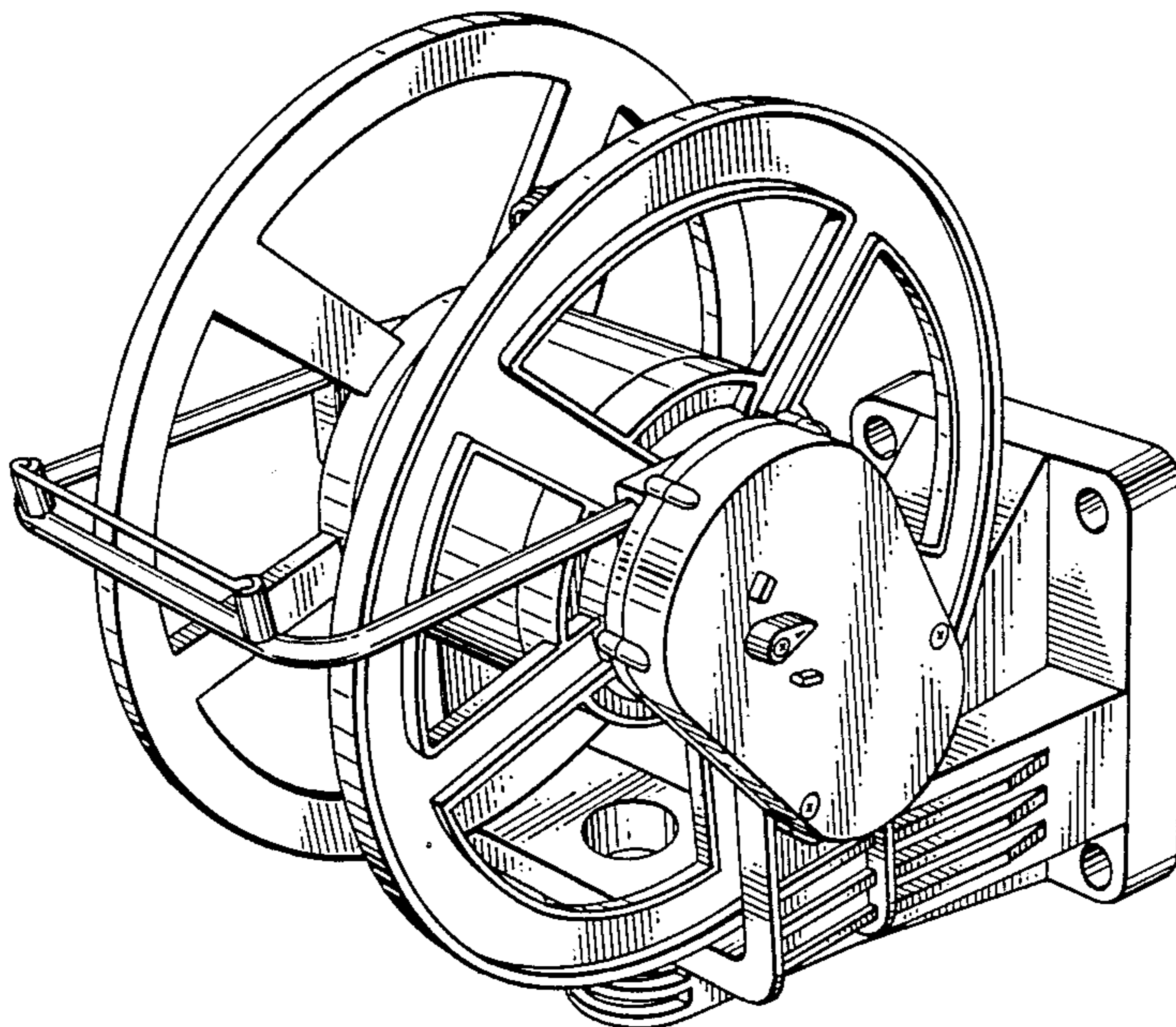
Primary Examiner—Wallace R. Burke  
Assistant Examiner—Freda S. Nunn  
Attorney, Agent, or Firm—Dorsey & Whitney

### [57] CLAIM

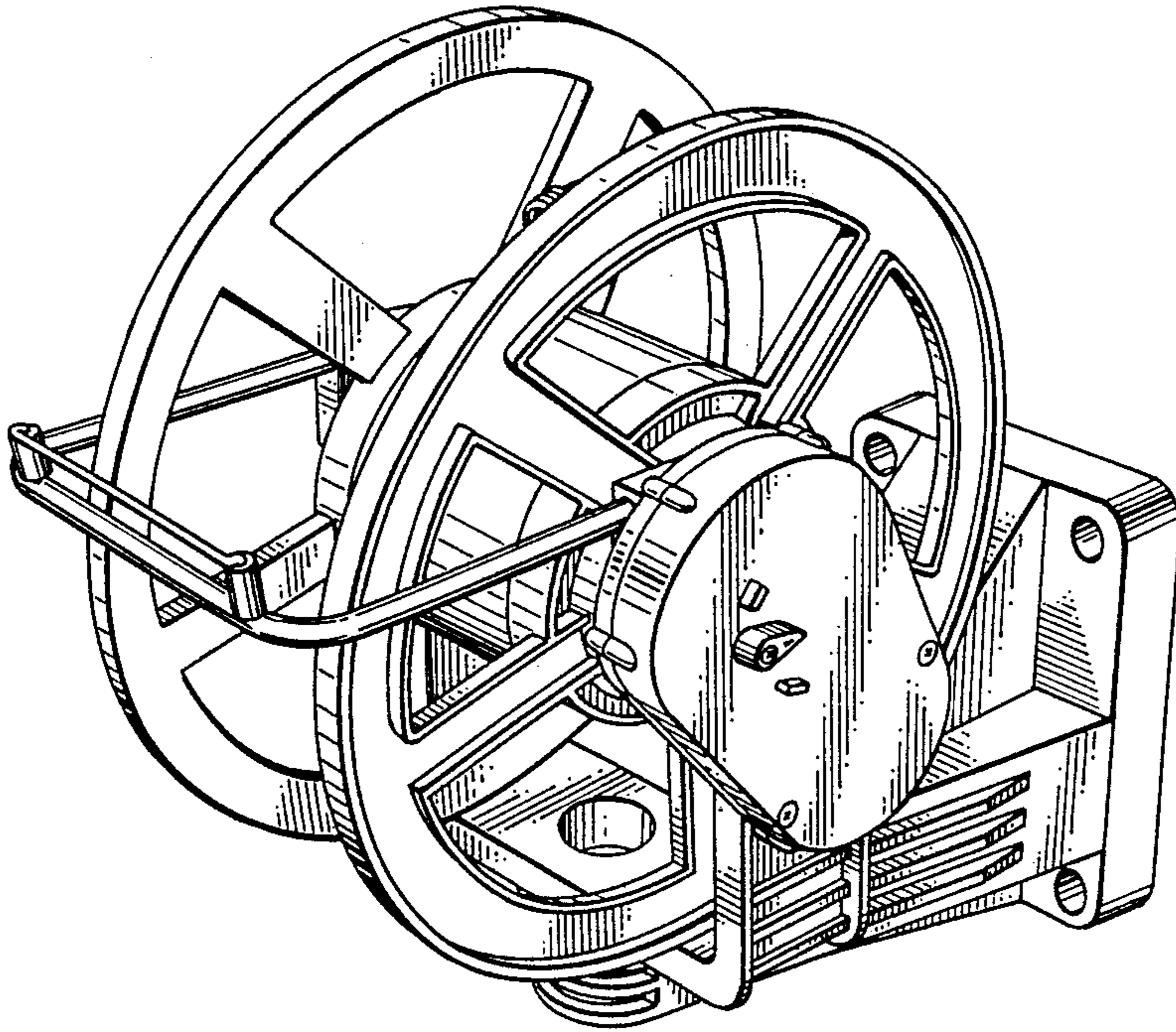
The ornamental design for a hose reel, as shown.

### DESCRIPTION

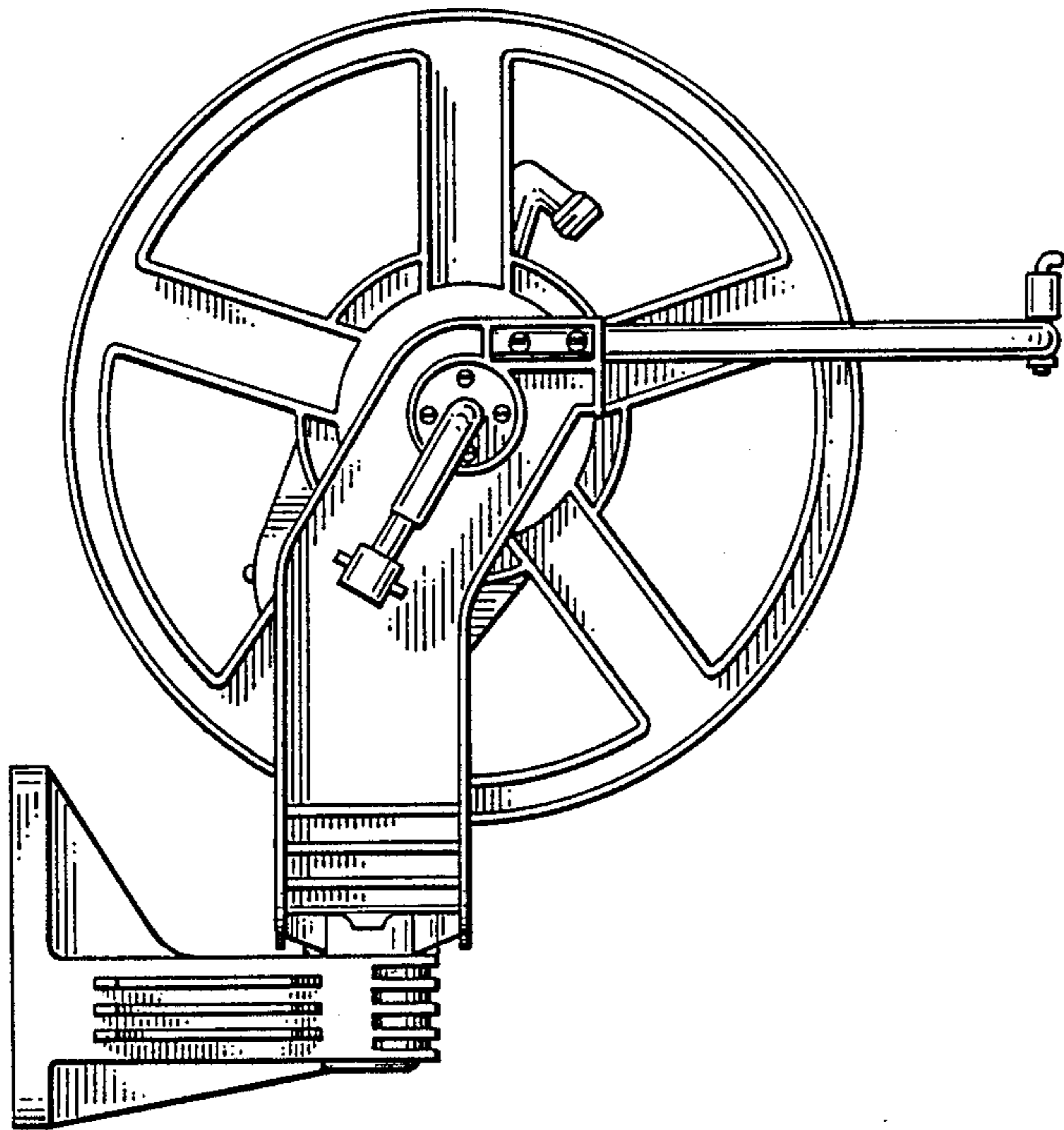
FIG. 1 is a perspective view of a hose reel, showing my new design;  
FIG. 2 is a right side elevational view thereof;  
FIG. 3 is front elevational view thereof;  
FIG. 4 is a left side elevational view thereof; and  
FIG. 5 is a bottom plan view thereof.



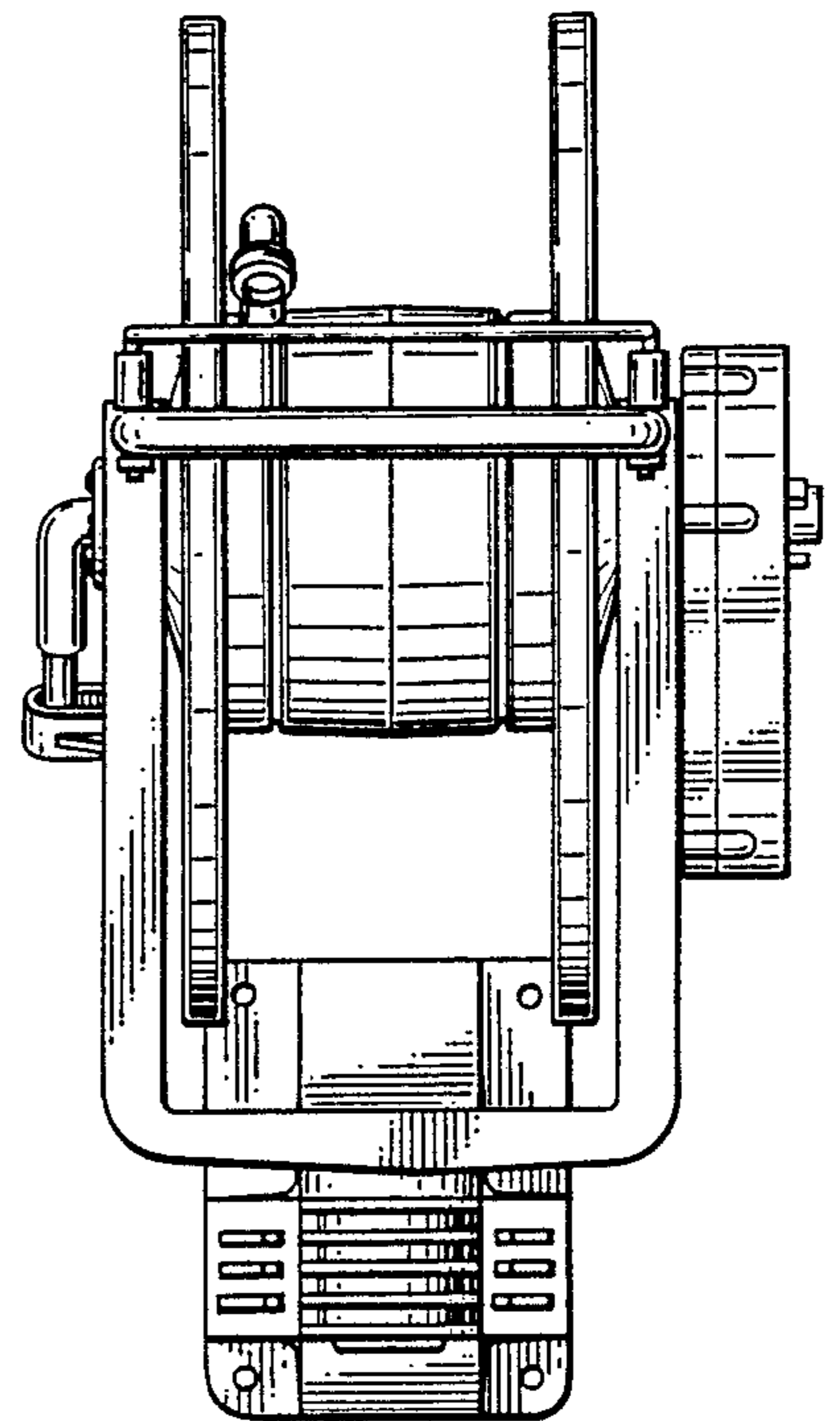
**Fig. 1**



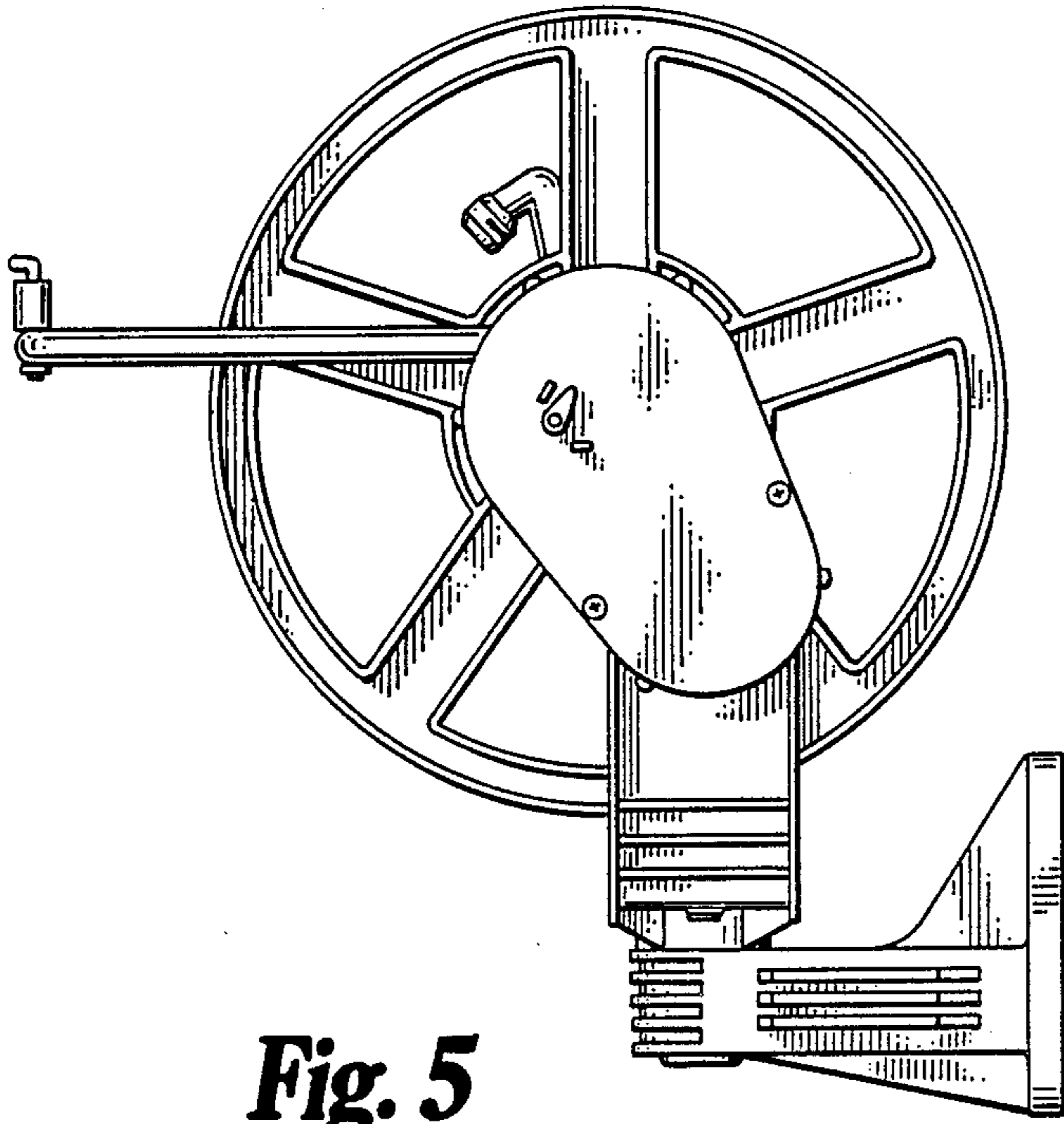
**Fig. 2**



**Fig. 3**



**Fig. 4**



**Fig. 5**

