

United States Patent [19]

Wang

[11] Patent Number: Des. 312,202

[45] Date of Patent: ** Nov. 20, 1990

[54] AUTOMOBILE STEERING WHEEL LOCK

[76] Inventor: **Ching-Rong Wang**, No.27, Alley 74,
Lane 313, Wen-Hsien Rd., Tainan,
Taiwan

[**] Term: 14 Years

[21] Appl. No.: 288,105

[22] Filed: Dec. 21, 1988

[52] U.S. Cl. D8/341; D8/331

[58] Field of Search D8/330-331,
D8/339-344; 70/237-238, 252-253, 207-211,
214-215, 216-217, 225-227

4,103,524 8/1978 Mitchell et al. 70/209

4,304,110 12/1981 Fain 70/209

4,738,127 4/1988 Johnson 70/209

4,856,308 8/1989 Johnson 70/209

4,887,443 12/1989 Wang 70/209

Primary Examiner—Wallace R. Burke
Assistant Examiner—Brian N. Vinson
Attorney, Agent, or Firm—Bacon & Thomas

[57] CLAIM

The ornamental design for automobile steering wheel lock, as shown.

DESCRIPTION

FIG. 1 is a top, front, and left side perspective view of an automobile steering wheel lock showing my new design;

FIG. 2 is a front elevational view thereof;

FIG. 3 is a rear elevational view thereof;

FIG. 4 is a left side elevational view thereof;

FIG. 5 is a right side elevational view thereof;

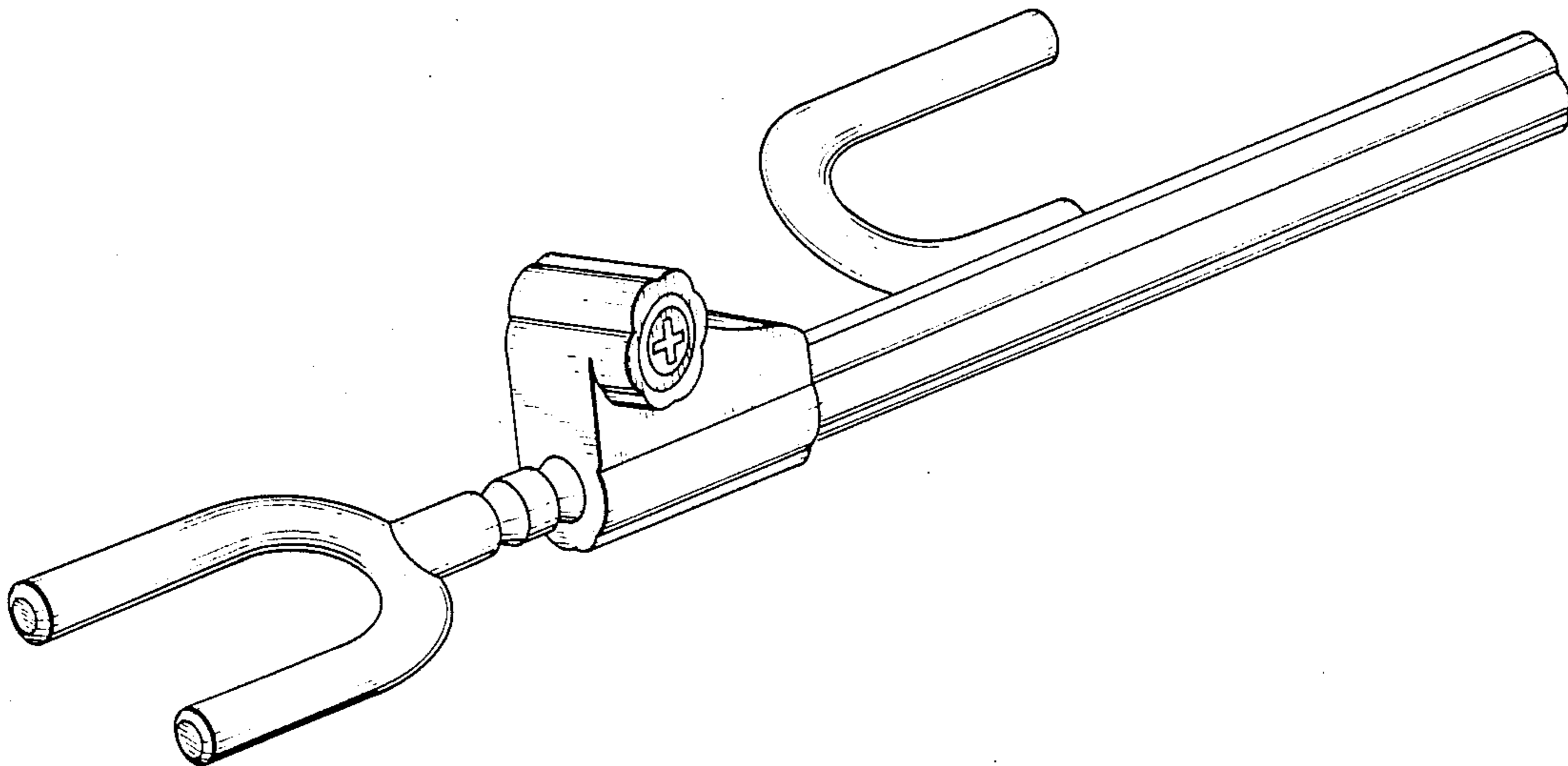
FIG. 6 is a top plan view thereof; and

FIG. 7 is a bottom plan view thereof.

[56] **References Cited**

U.S. PATENT DOCUMENTS

D. 289,491	4/1987	Johnson	D8/330
D. 295,256	4/1988	Wu	D8/330
D. 296,660	7/1988	Preddey	D8/331
D. 297,610	9/1988	Wang	D8/331
D. 306,252	2/1990	Johnson	D8/331
D. 306,253	2/1990	Solow	D8/331
3,664,164	5/1972	Zaidener	70/209 X



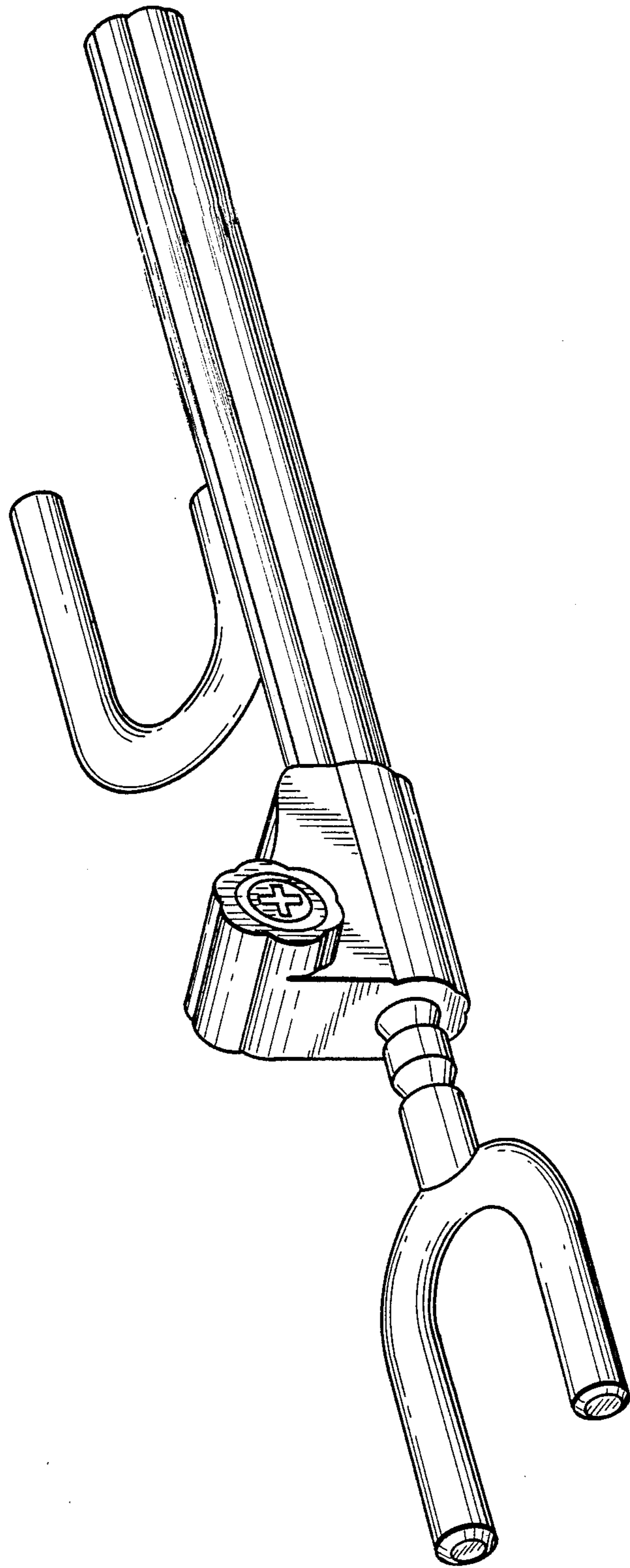


FIG. 1

FIG. 2

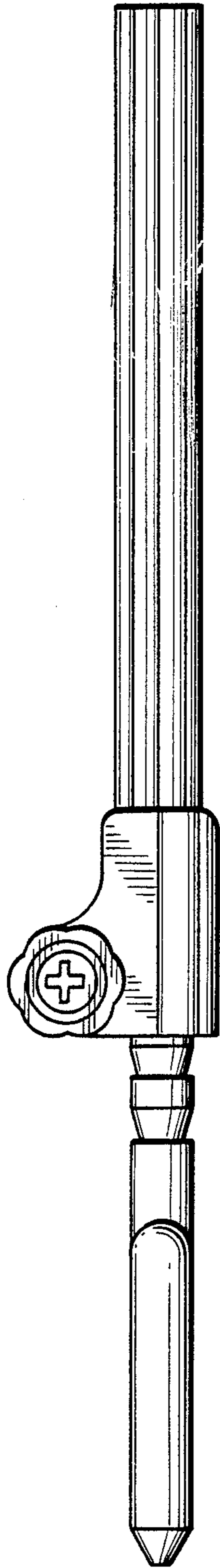
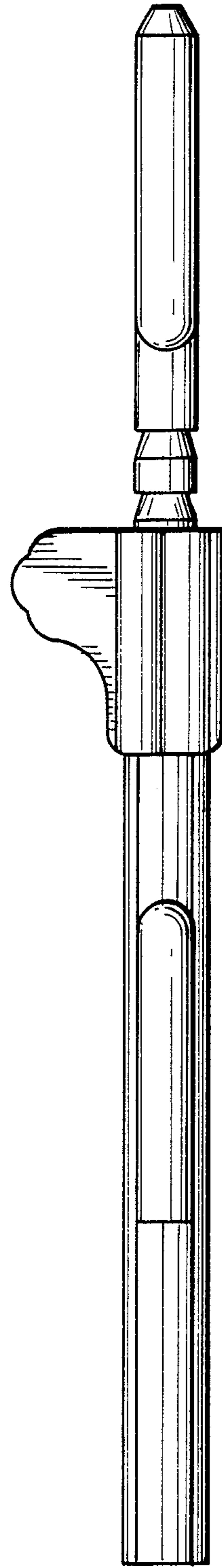


FIG. 3



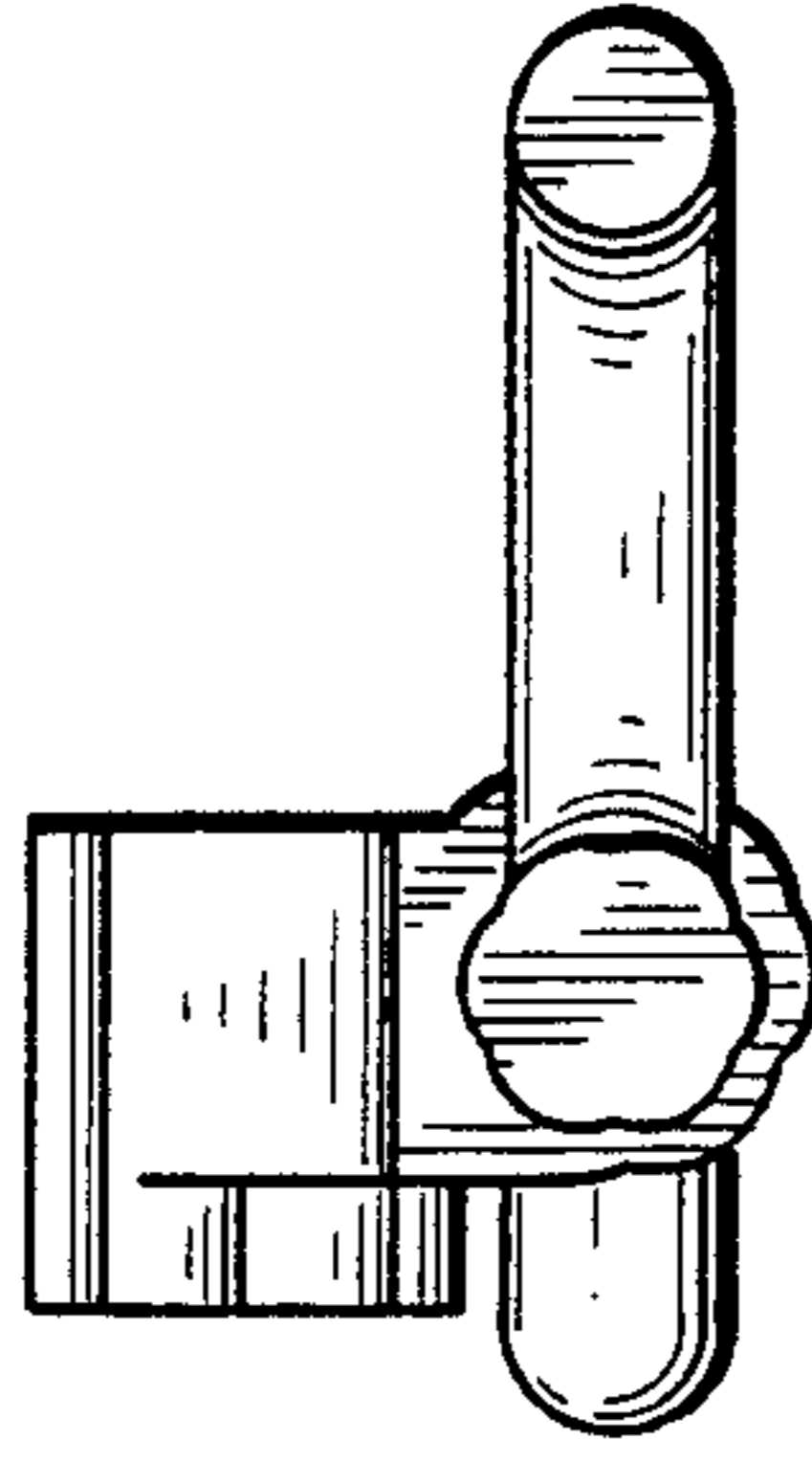


FIG. 5

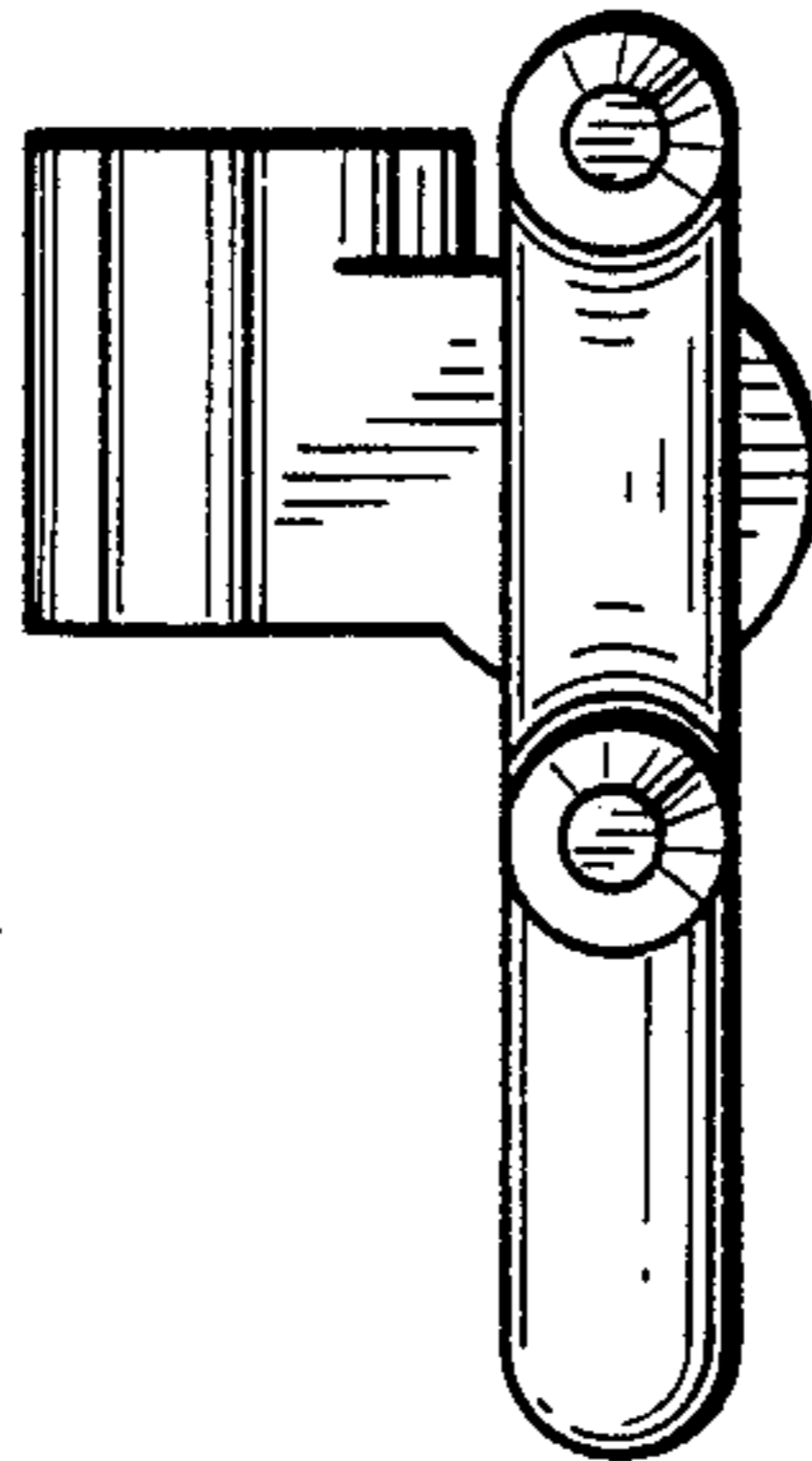


FIG. 4

