

United States Patent [19]
Cooper

[11] **Patent Number: Des. 312,193**
[45] **Date of Patent: ** Nov. 20, 1990**

[54] **HAND PORTIONER**

[75] **Inventor: William A. Cooper, Uckfield, England**

[73] **Assignee: Mitchell & Cooper Limited, United Kingdom**

[**] **Term: 14 Years**

[21] **Appl. No.: 272,692**

[22] **Filed: Nov. 17, 1988**

[30] **Foreign Application Priority Data**

May 17, 1988 [GB] United Kingdom 1050795

May 17, 1988 [GB] United Kingdom 1050798

[52] **U.S. Cl. D7/681; D7/691**

[58] **Field of Search D7/688-692, D7/681; 425/283-285, 187, 276, 286; 73/426; 294/55; 30/128, 130, 324**

[56] **References Cited**

U.S. PATENT DOCUMENTS

D. 294,101 2/1988 Steinko D7/681

1,430,979 10/1922 Gibbs 425/283
1,826,818 10/1931 Palmer 425/285
1,842,709 1/1932 Baughman 425/284
3,208,404 9/1965 Schlessel 425/285
4,392,806 7/1983 Houle D7/681 X

Primary Examiner—Bernard Ansher
Assistant Examiner—Terry A. Pfeffer
Attorney, Agent, or Firm—Bryan, Cave, McPheeters & McRoberts

[57] **CLAIM**

The ornamental design for a hand portioner, as shown and described.

DESCRIPTION

FIG. 1 is a top, right side perspective view of a hand portioner showing my new design;
FIG. 2 is a left side elevational view thereof;
FIG. 3 is a bottom plan view thereof;
FIG. 4 is a top, left side perspective view of an alternate embodiment of FIG. 1;
FIG. 5 is a right side elevational view of FIG. 4; and
FIG. 6 is a bottom plan view of FIG. 4.

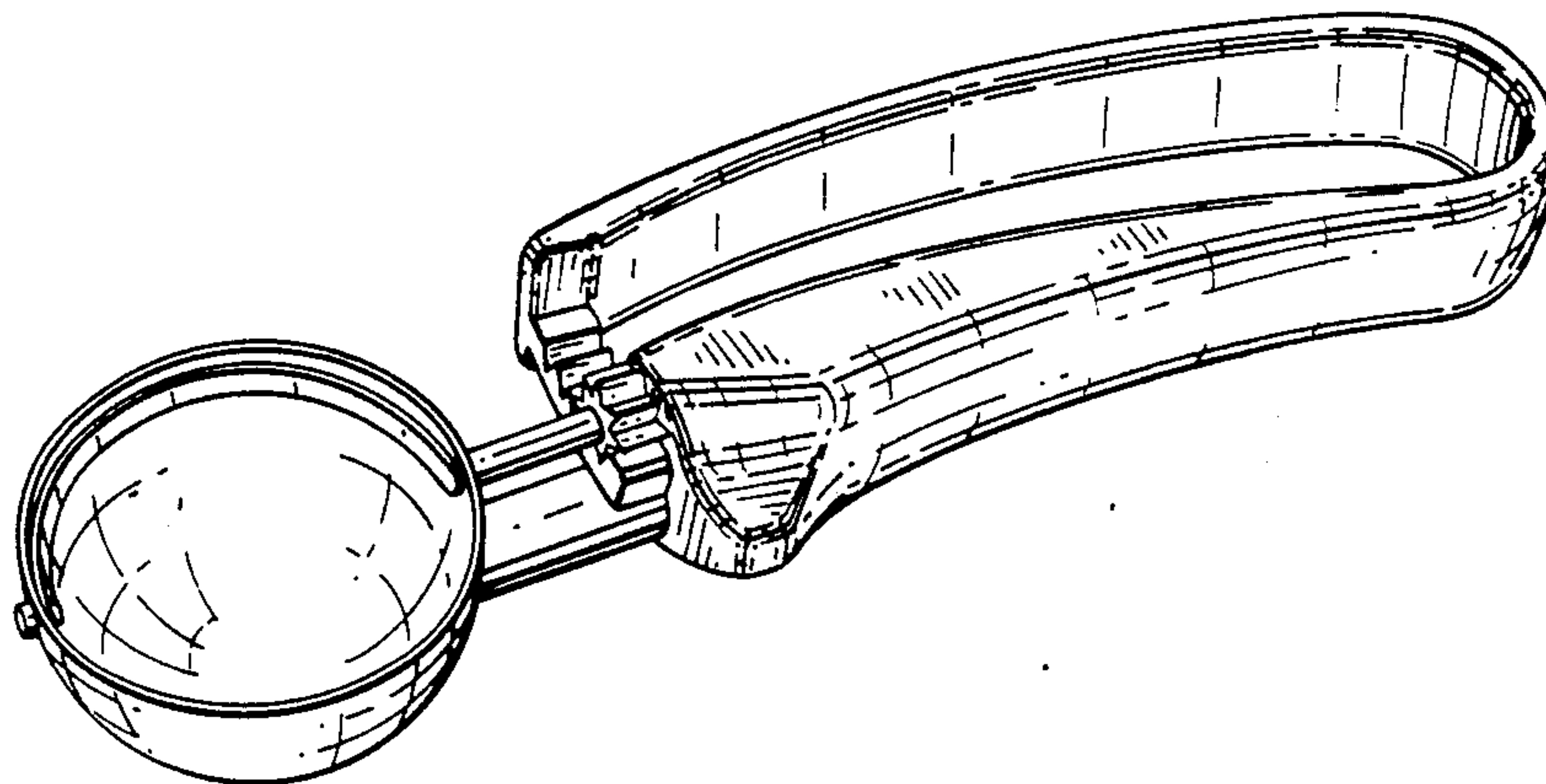


FIG. 1.

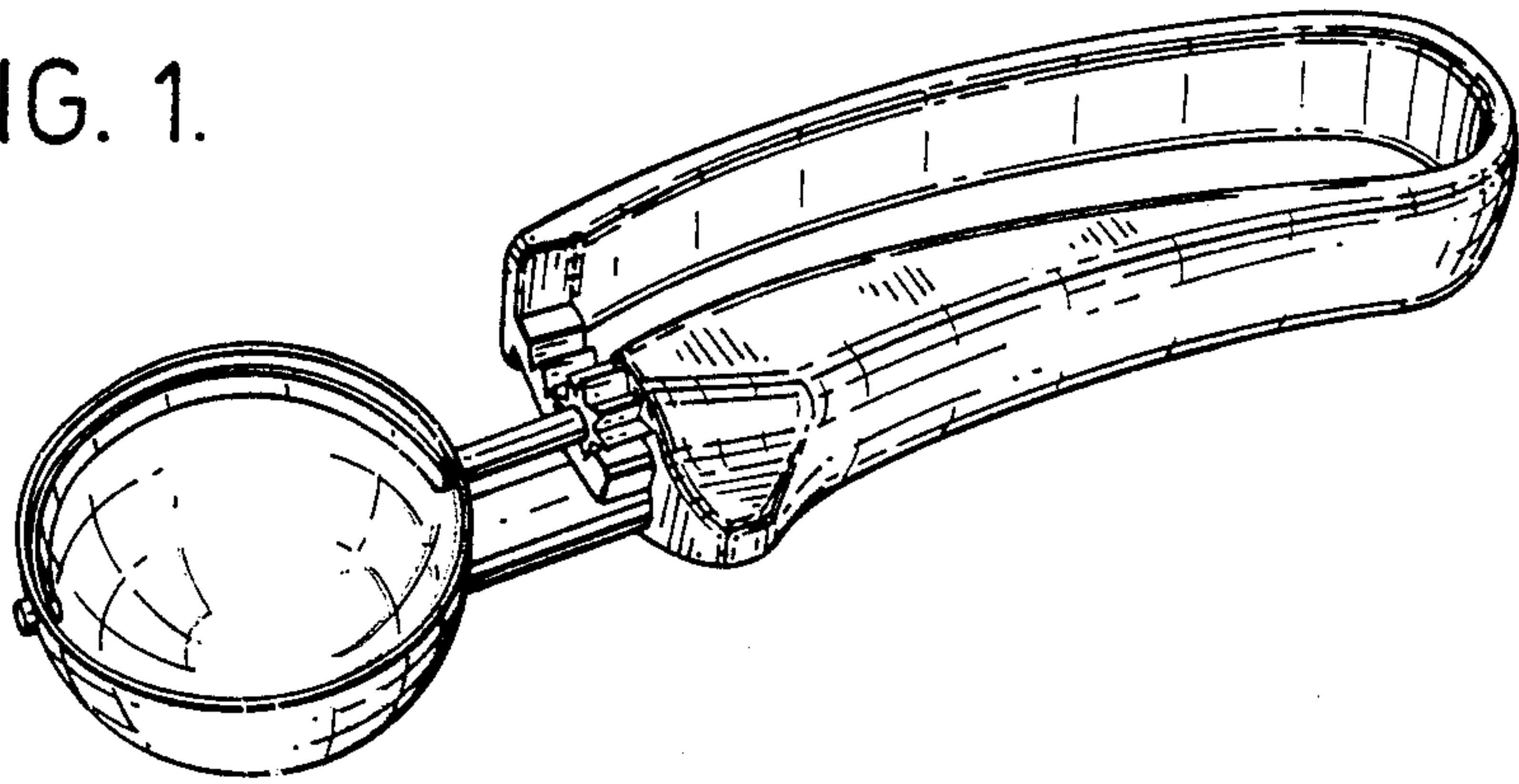


FIG. 2.

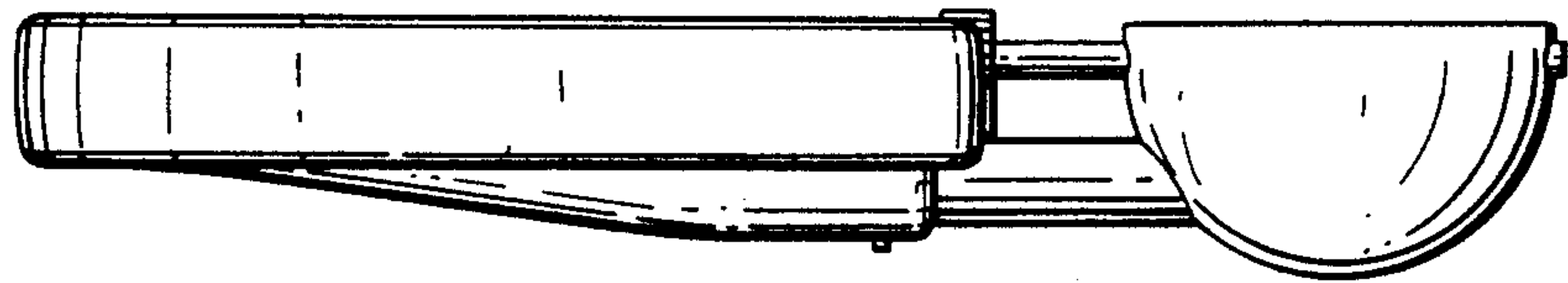


FIG. 3.

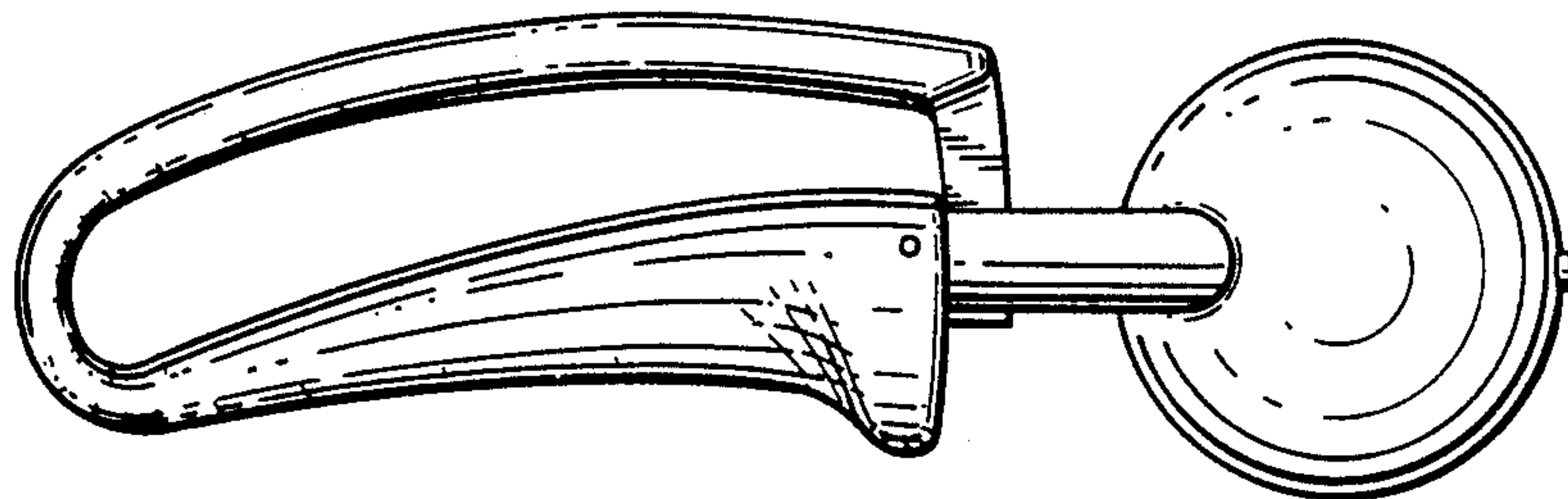


FIG. 4.

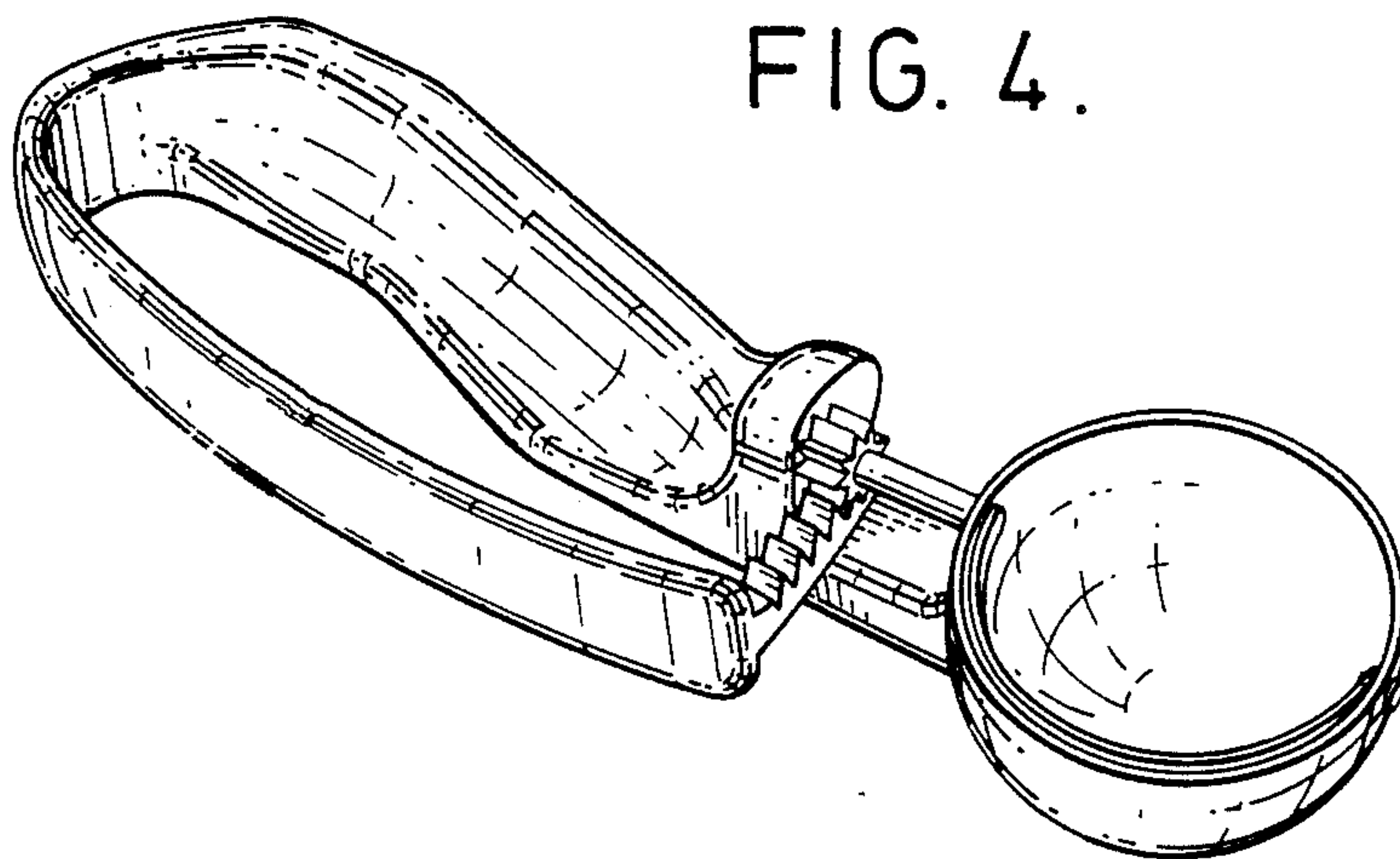


FIG. 5.

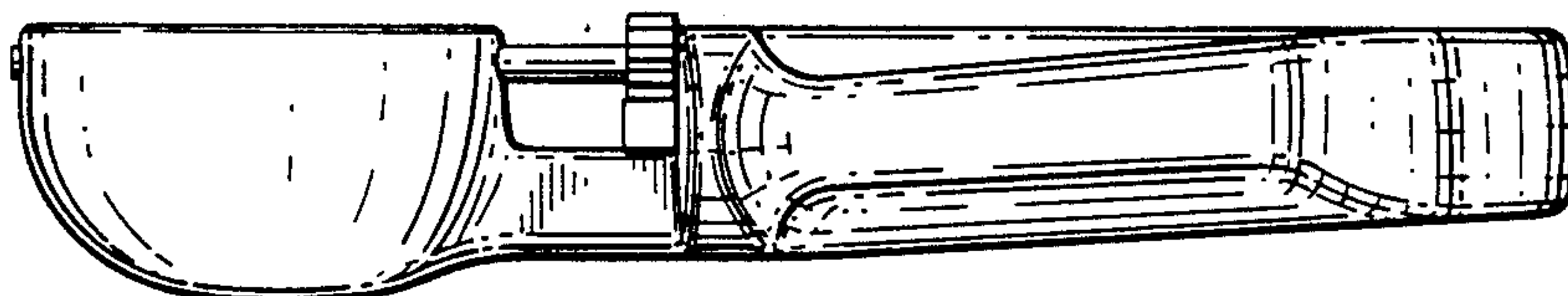


FIG. 6.

