

[54] COMBINED SALT AND PEPPER SHAKER

[75] Inventor: Richard J. Ciaccio, Wrentham, Mass.

[73] Assignee: Dart Industries Inc., Deerfield, Ill.

[**] Term: 14 Years

[21] Appl. No.: 67,904

[22] Filed: Jun. 26, 1987

[52] U.S. Cl. D7/596

[58] Field of Search D7/52-58;
D9/366, 359, 364; 222/142.1-142.9; 241/168,
169, 169.1

[56] References Cited

U.S. PATENT DOCUMENTS

D. 146,979	6/1947	Mangini	D7/57
961,991	6/1910	Ullrich	D9/364 X
2,618,413	11/1952	Brooks .	
2,992,501	7/1961	Douglas .	
3,139,208	6/1964	Irwin et al. .	
3,185,359	5/1965	Buntic .	
3,186,540	6/1965	Breger .	
3,187,964	6/1965	Foster .	
3,251,509	5/1966	Foster .	
3,254,811	6/1966	Harris .	
3,256,892	6/1966	Esposito, Jr. .	
3,542,235	11/1970	Hidding .	
3,587,944	6/1971	Pehr .	

OTHER PUBLICATIONS

"Star", Mar. 27, 1983, p. 16—Why Didn't I Think of That? Bright Ideas from Kansas City Inventors.

Advertisement—Harper Industries Inc., Condiment Dispenser, date unknown.

Advertisement—Harper Industries Inc., Condiment Dispenser, date unknown.

Primary Examiner—Bernard Ansher

Assistant Examiner—Terry A. Pfeffer

Attorney, Agent, or Firm—John A. Doninger

[57] CLAIM

The ornamental design for a combined salt and pepper shaker, as shown and described.

DESCRIPTION

FIG. 1 is a top, front, left side perspective view of a combined salt and pepper shaker showing the new design;

FIG. 2 is a bottom, rear, right side perspective view thereof;

FIG. 3 is a top plan view thereof;

FIG. 4 is a front elevational view thereof;

FIG. 5 is a left end view thereof;

FIG. 6 is a right end view thereof;

FIG. 7 is a bottom plan view thereof;

FIG. 8 is a rear elevational view thereof;

FIG. 9 is a perspective view thereof partially open;

FIG. 10 is a perspective view thereof fully open; and

FIG. 11 is a top plan view of FIG. 10.

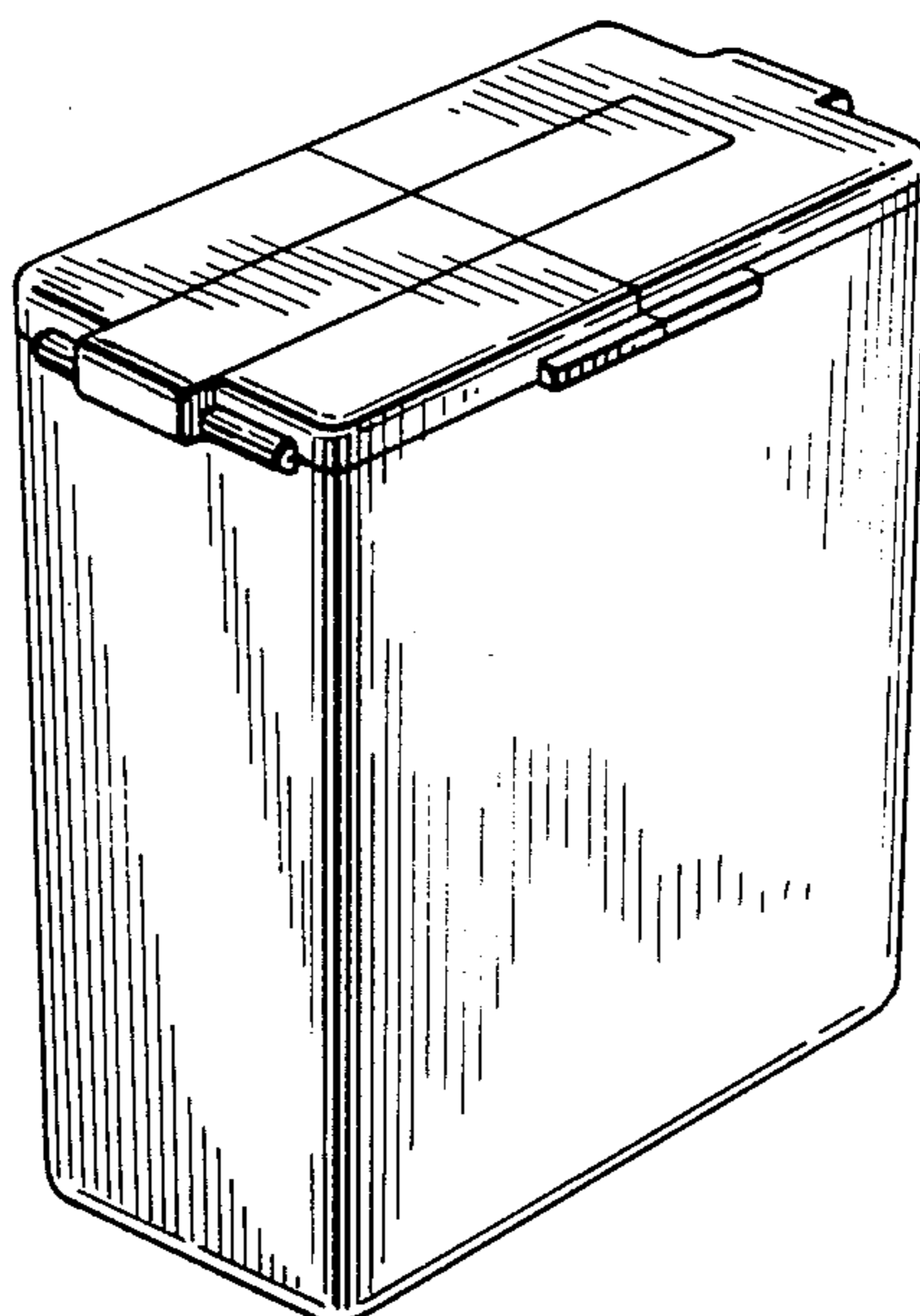


FIG. 1

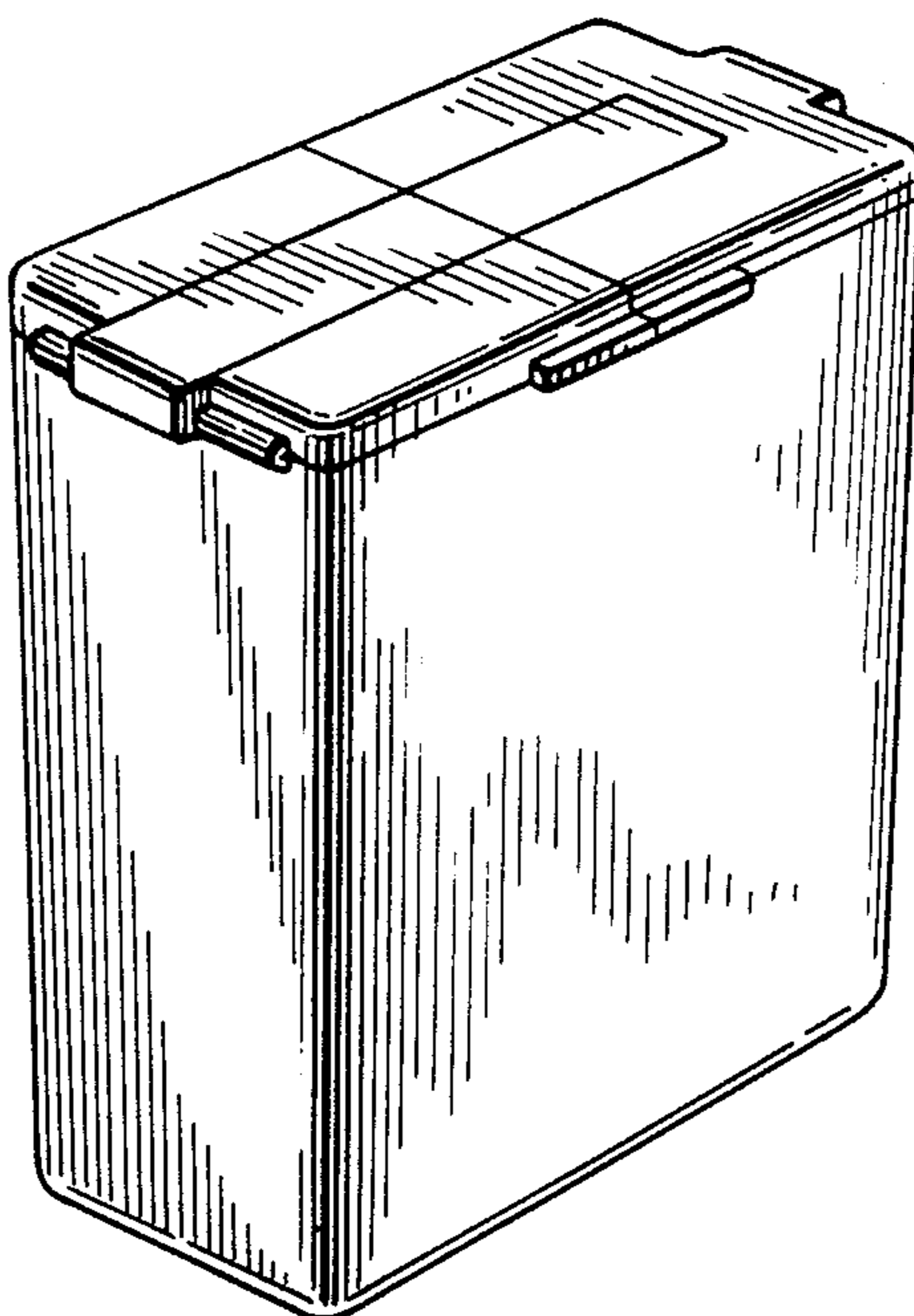


FIG. 2

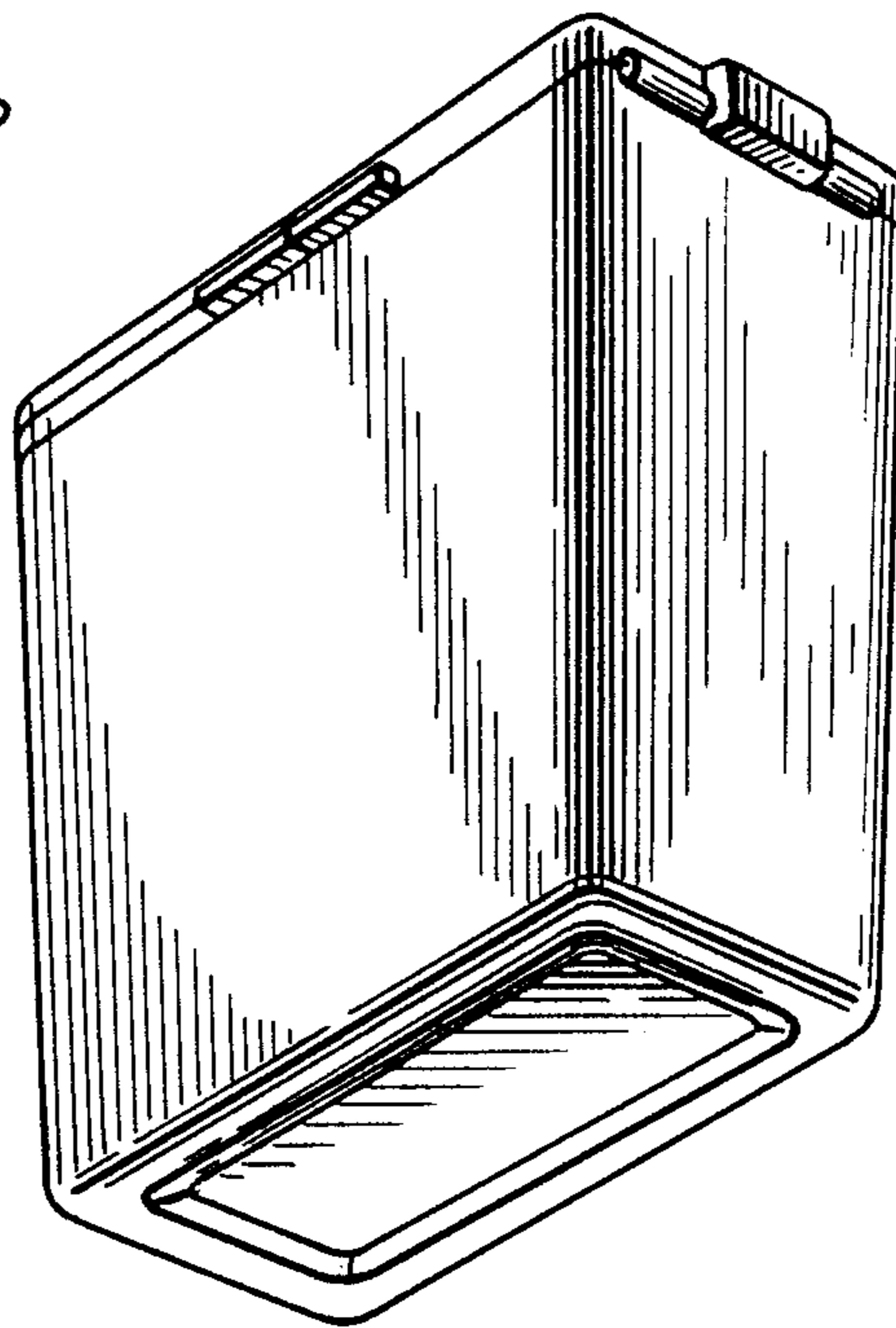


FIG. 3

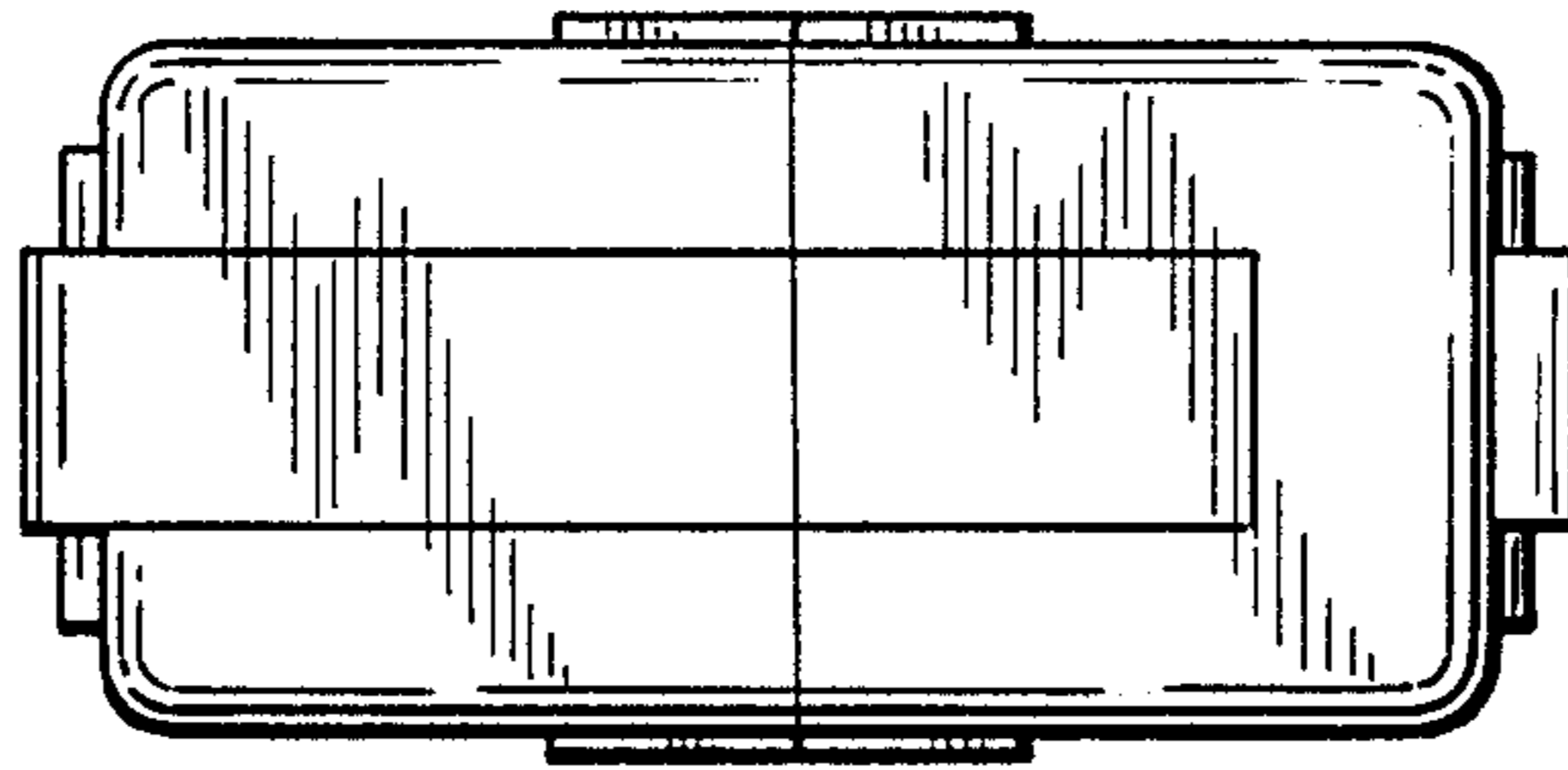


FIG. 5

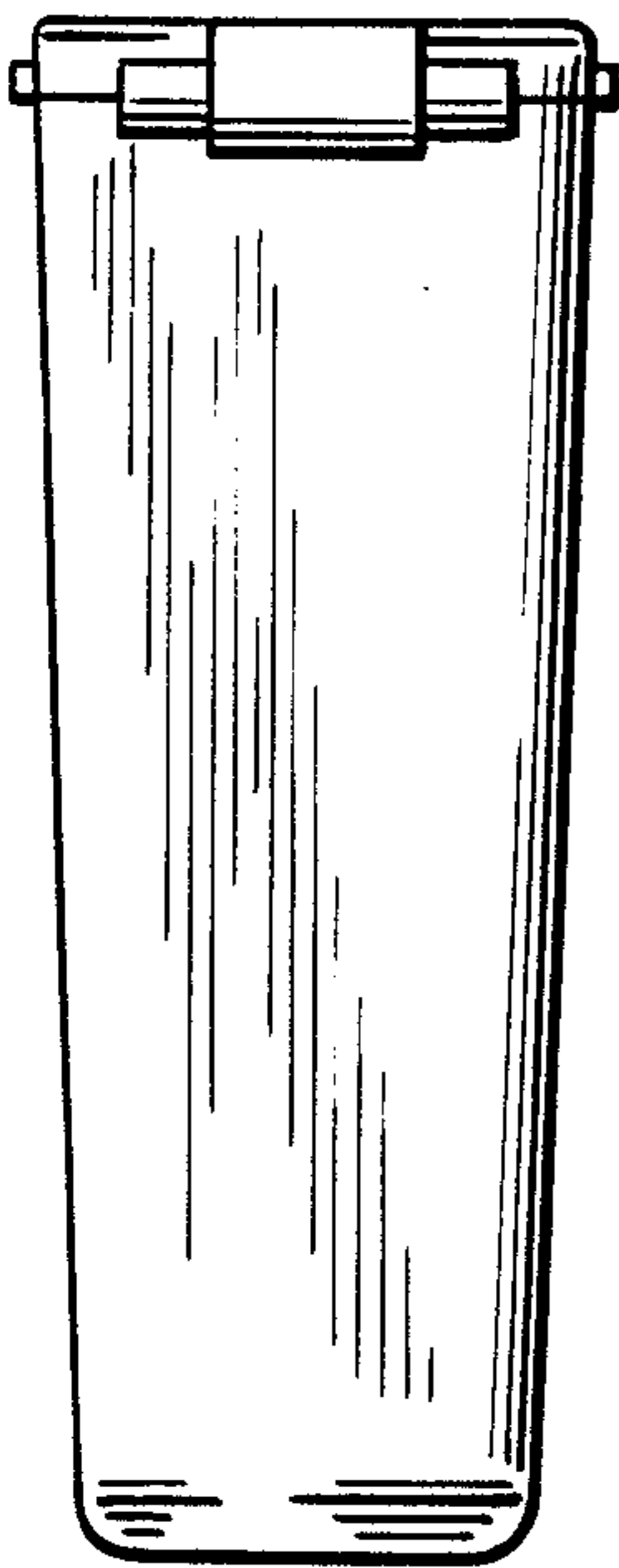


FIG. 4

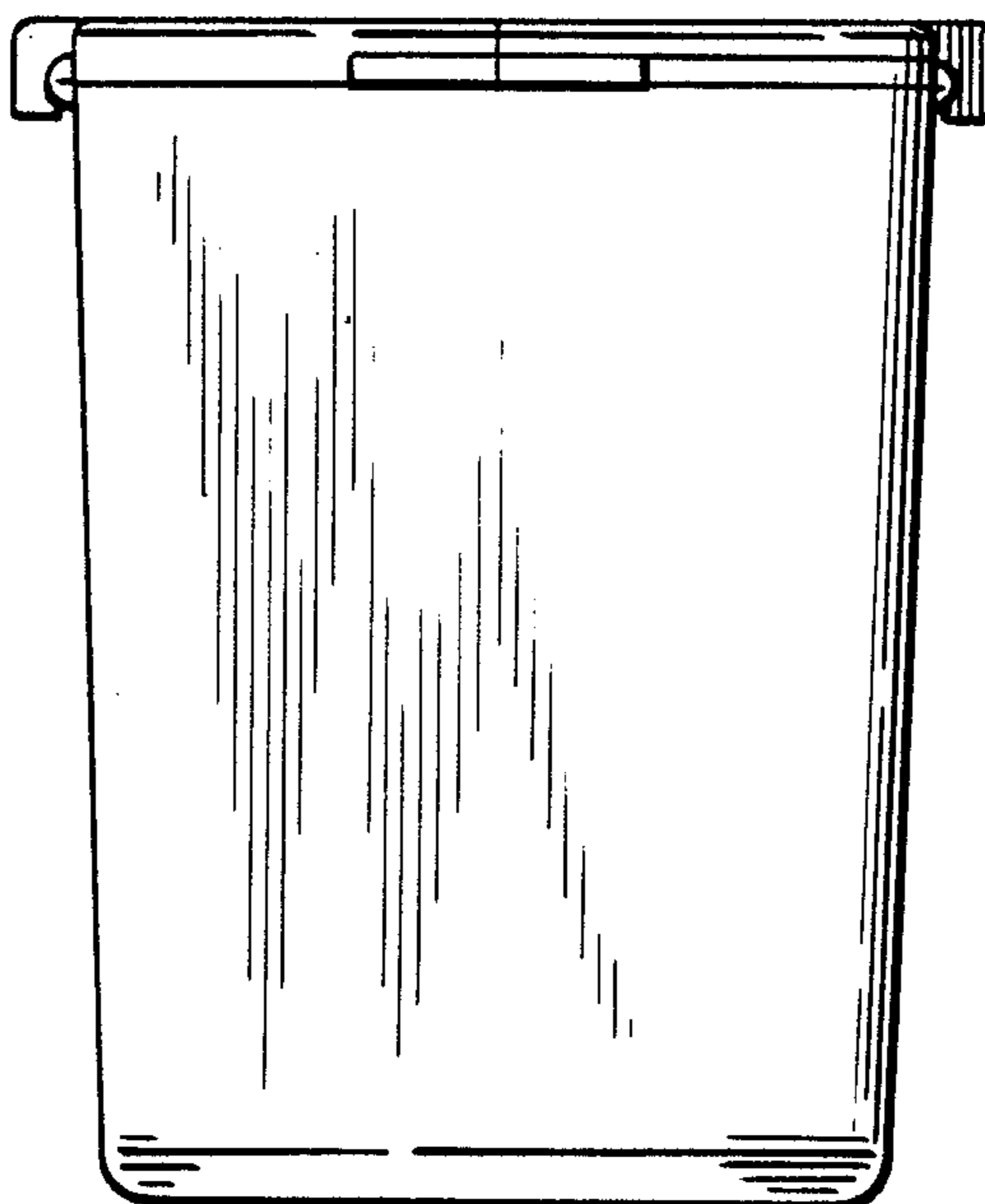


FIG. 6

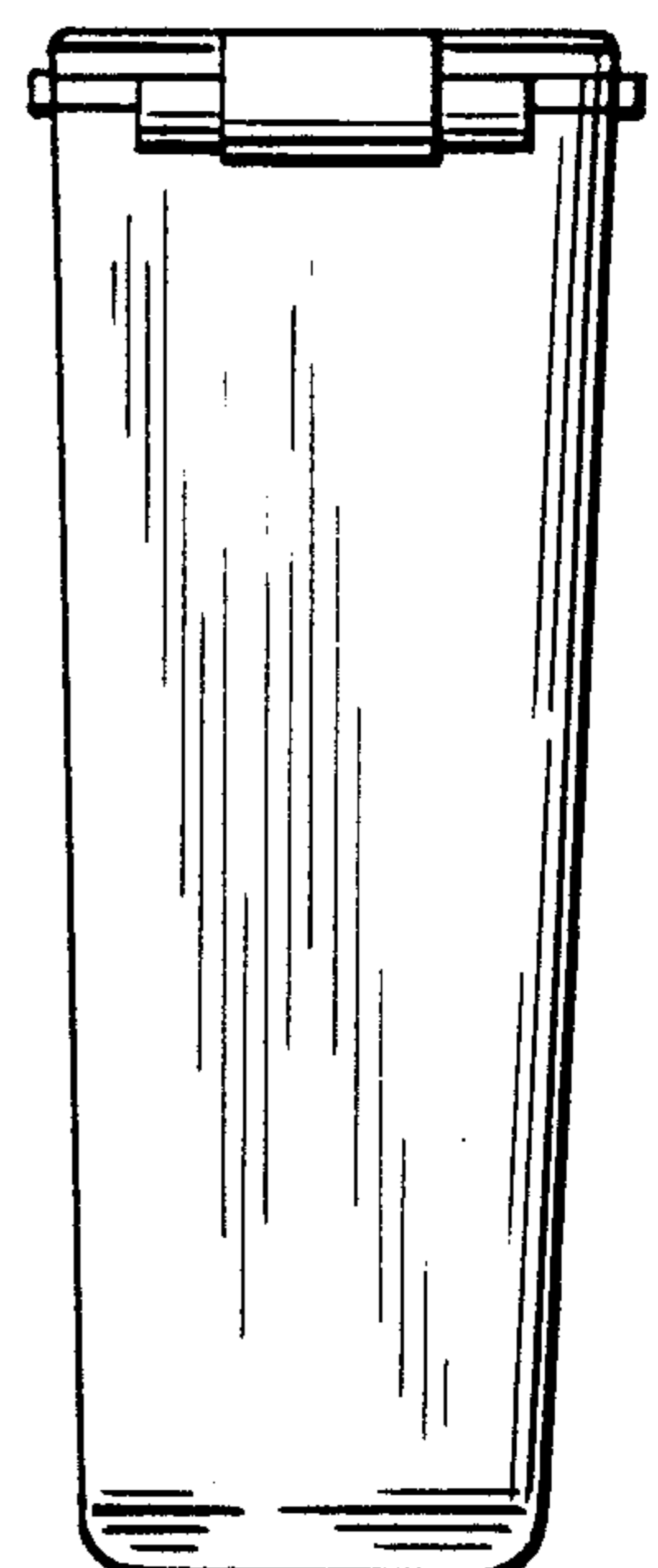


FIG. 7

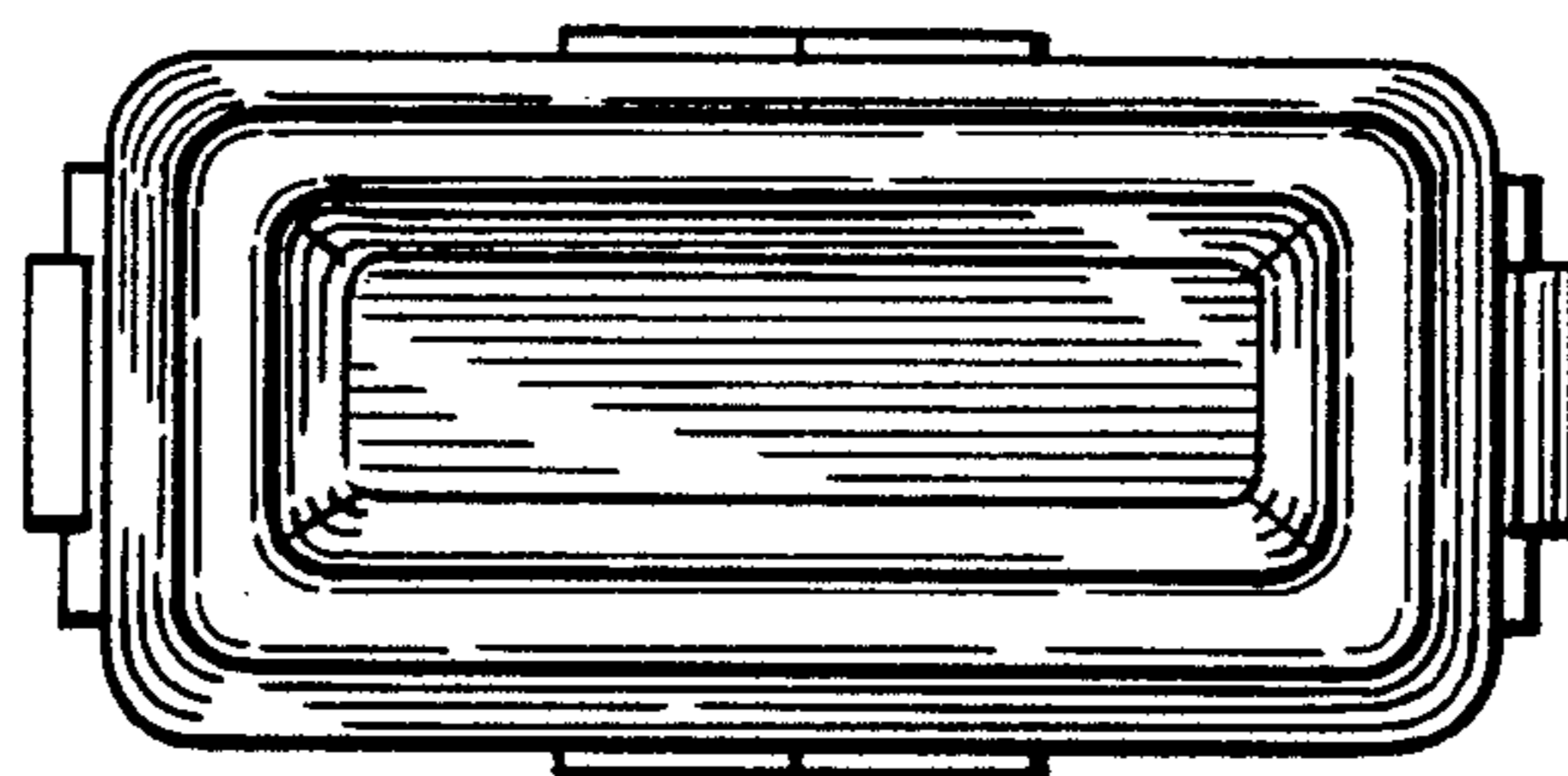


FIG. 8

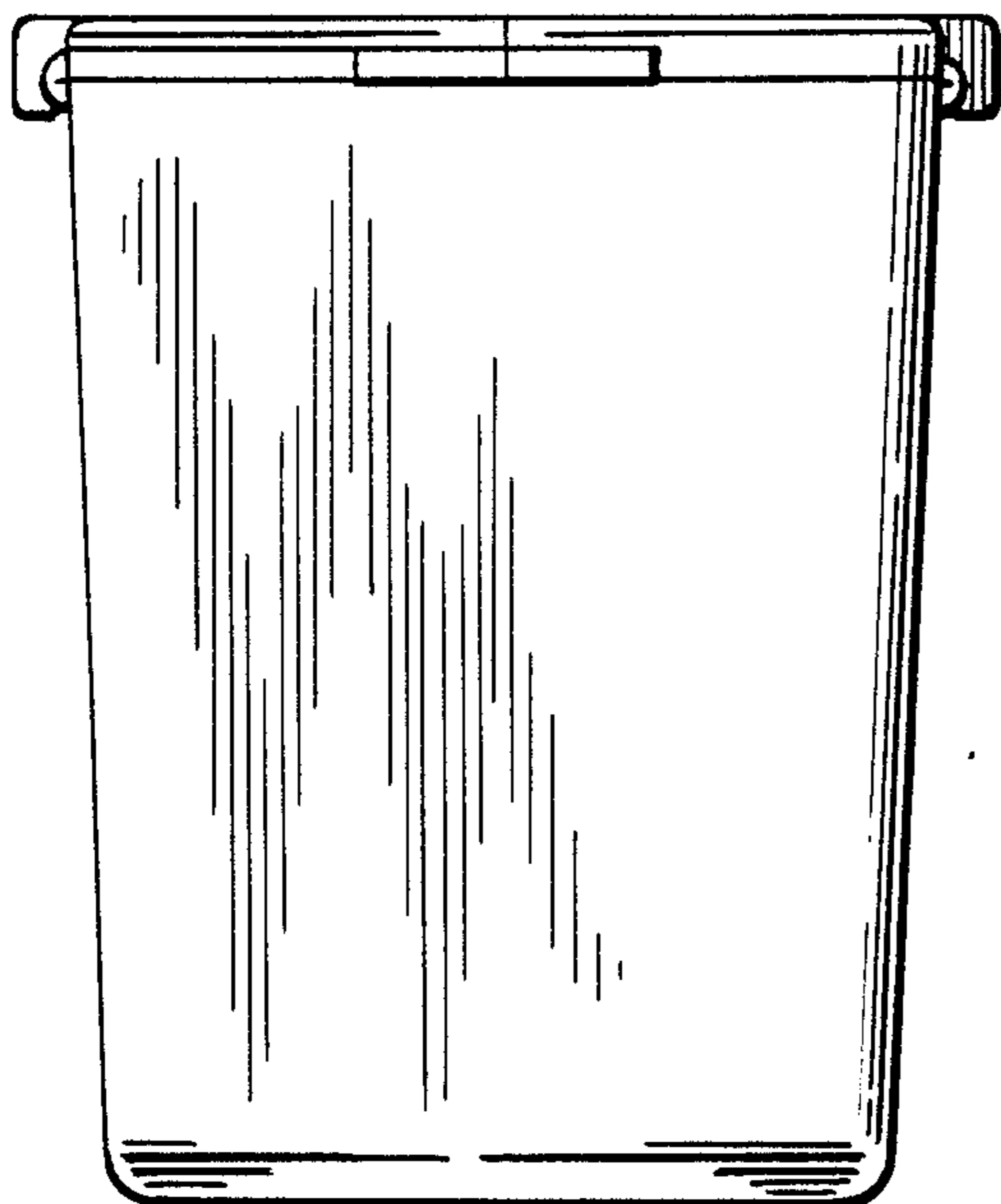


FIG. 9

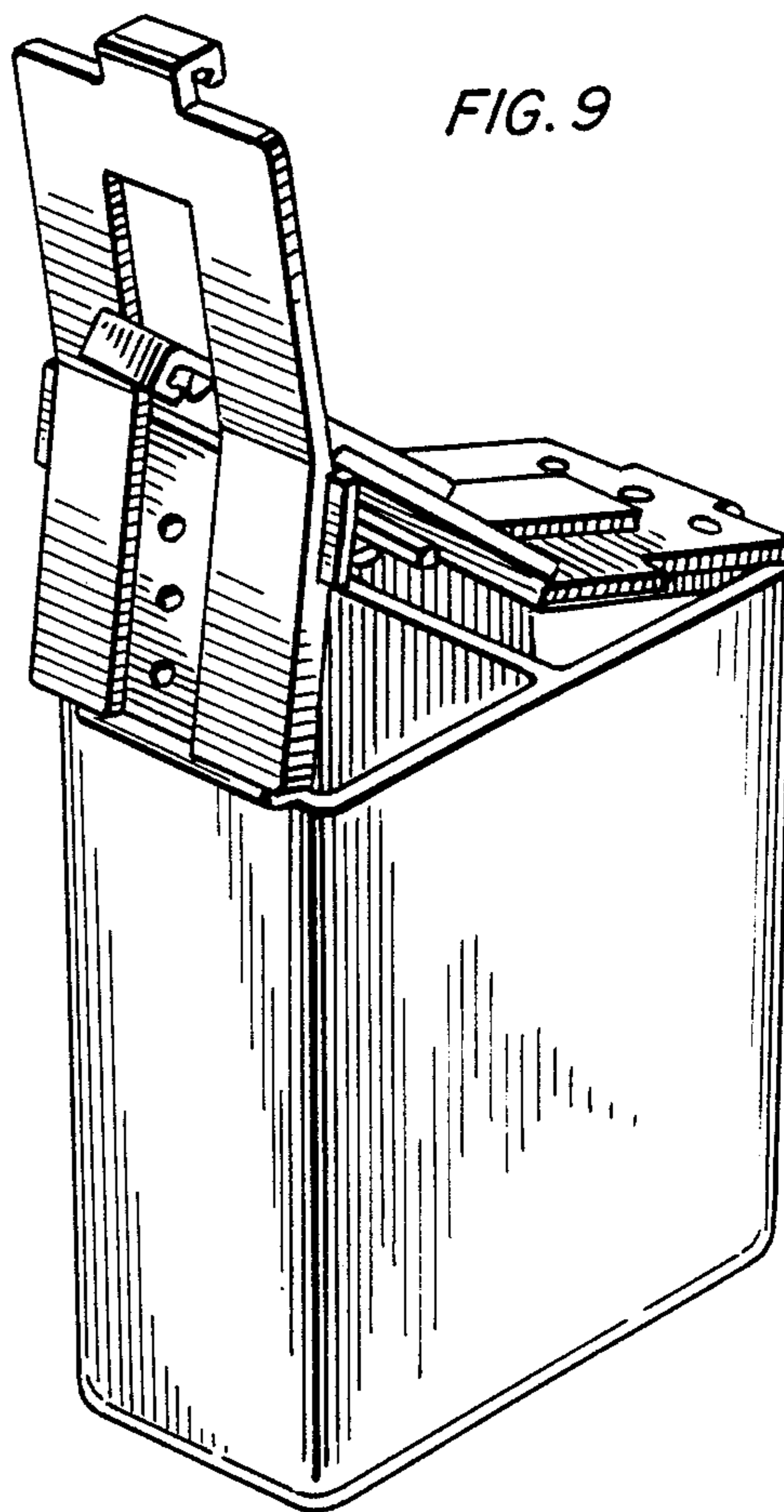
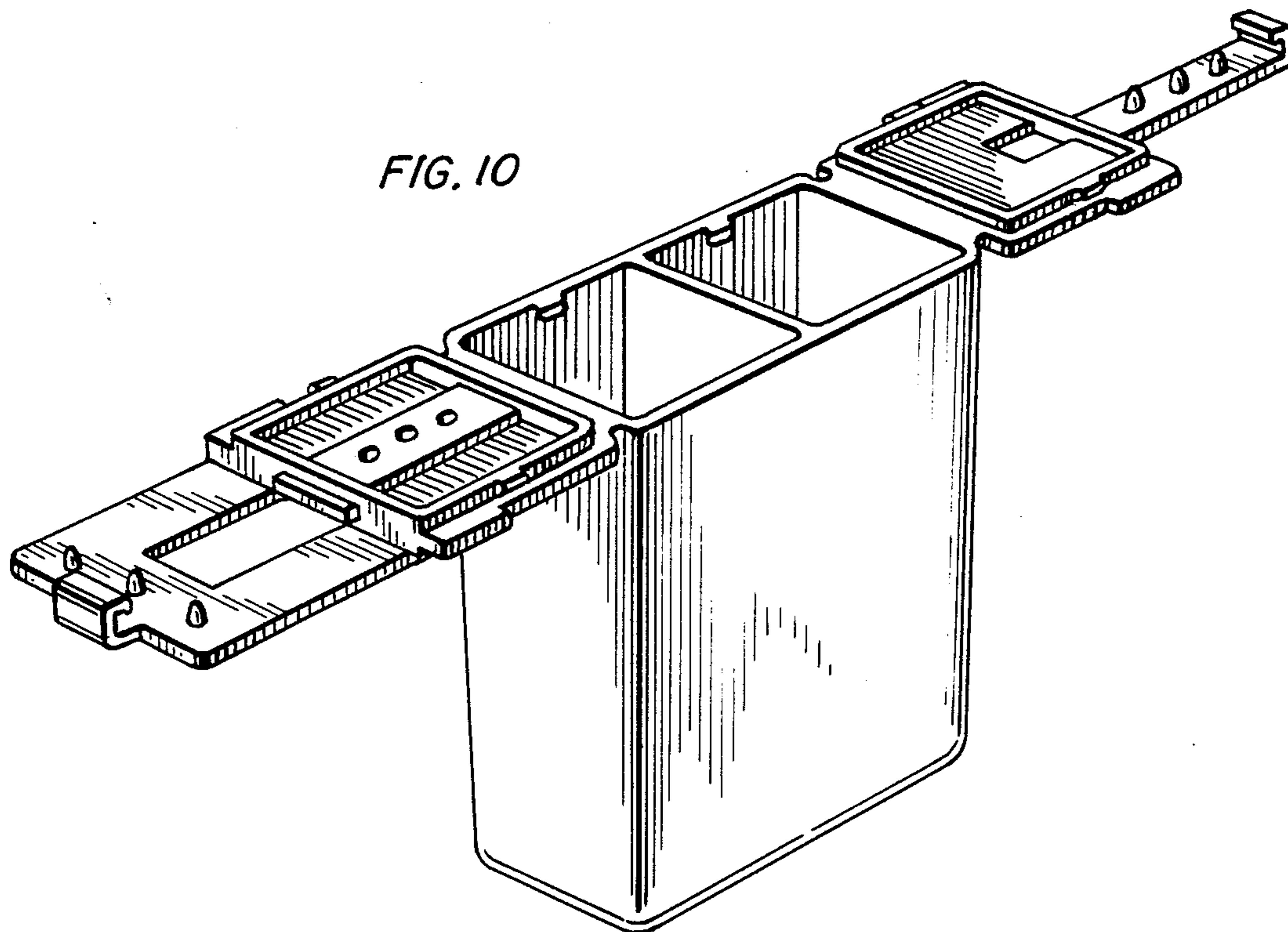


FIG. 10



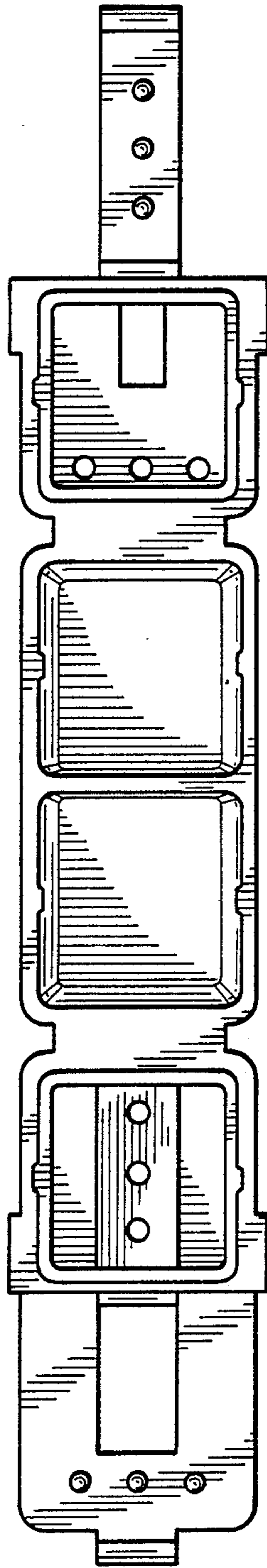


FIG. 11