

[54] UNIVERSAL KNEADING MACHINE
 [75] Inventor: Friedrich Otto, Hameln, Fed. Rep. of Germany
 [73] Assignee: Stephan U. Soehne GmbH & Co., Hameln, Fed. Rep. of Germany
 [**] Term: 14 Years
 [21] Appl. No.: 416,447
 [22] Filed: Oct. 3, 1989

D. 197,861 3/1964 Knuth D7/665
 D. 209,922 1/1968 Golding D7/372
 D. 282,341 1/1986 Dvorak D7/372
 D. 294,448 3/1988 Otto D7/376 X

OTHER PUBLICATIONS

Foodservice Equipment Specialist, Apr., 1984, p. 64, Qualheim, Inc., Food Preparation Machine at bottom right.

Primary Examiner—Winifred E. Herrmann
 Attorney, Agent, or Firm—Foley & Lardner, Schwartz, Jeffery, Schwaab, Mack, Blumenthal & Evans

Related U.S. Application Data

[63] Continuation of Ser. No. 823,274, Jan. 28, 1986, abandoned.
 [52] U.S. Cl. D7/376; D7/377
 [58] Field of Search D7/368, 371, 372, 374, D7/376, 377-379, 381, 383, 384-385

[57] CLAIM

The ornamental design for the universal kneading machine, as shown and described.

DESCRIPTION

FIG. 1 is a top, front, and right side perspective view of a universal kneading machine showing my new design; FIG. 2 is a top, front, and left side perspective view thereof; FIG. 3 is a top plan view; and FIG. 4 is a rear elevational view thereof.

[56] References Cited

U.S. PATENT DOCUMENTS

D. 3,461 4/1869 Shaw D7/372
 D. 178,294 7/1956 Lasar D7/372

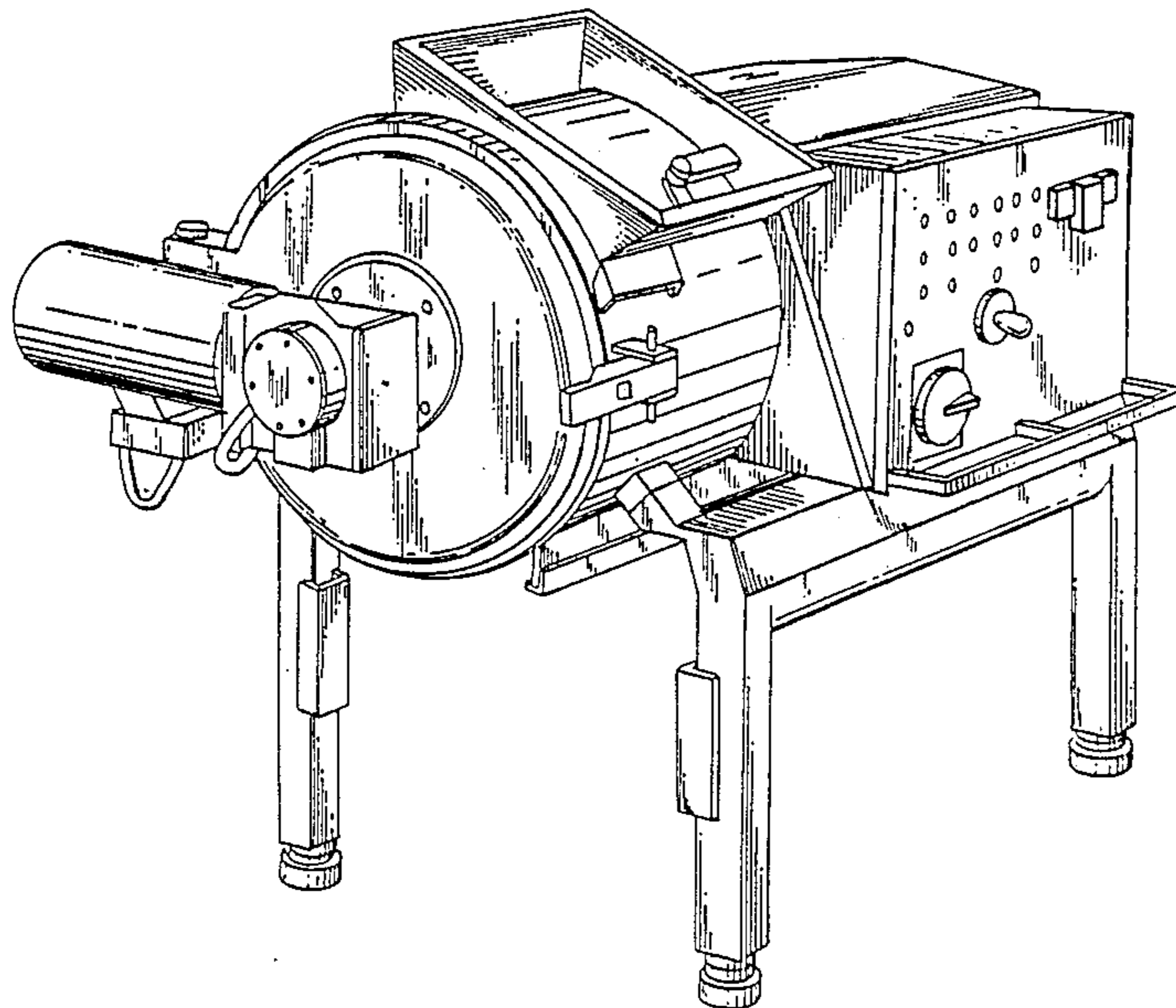


FIG. 1

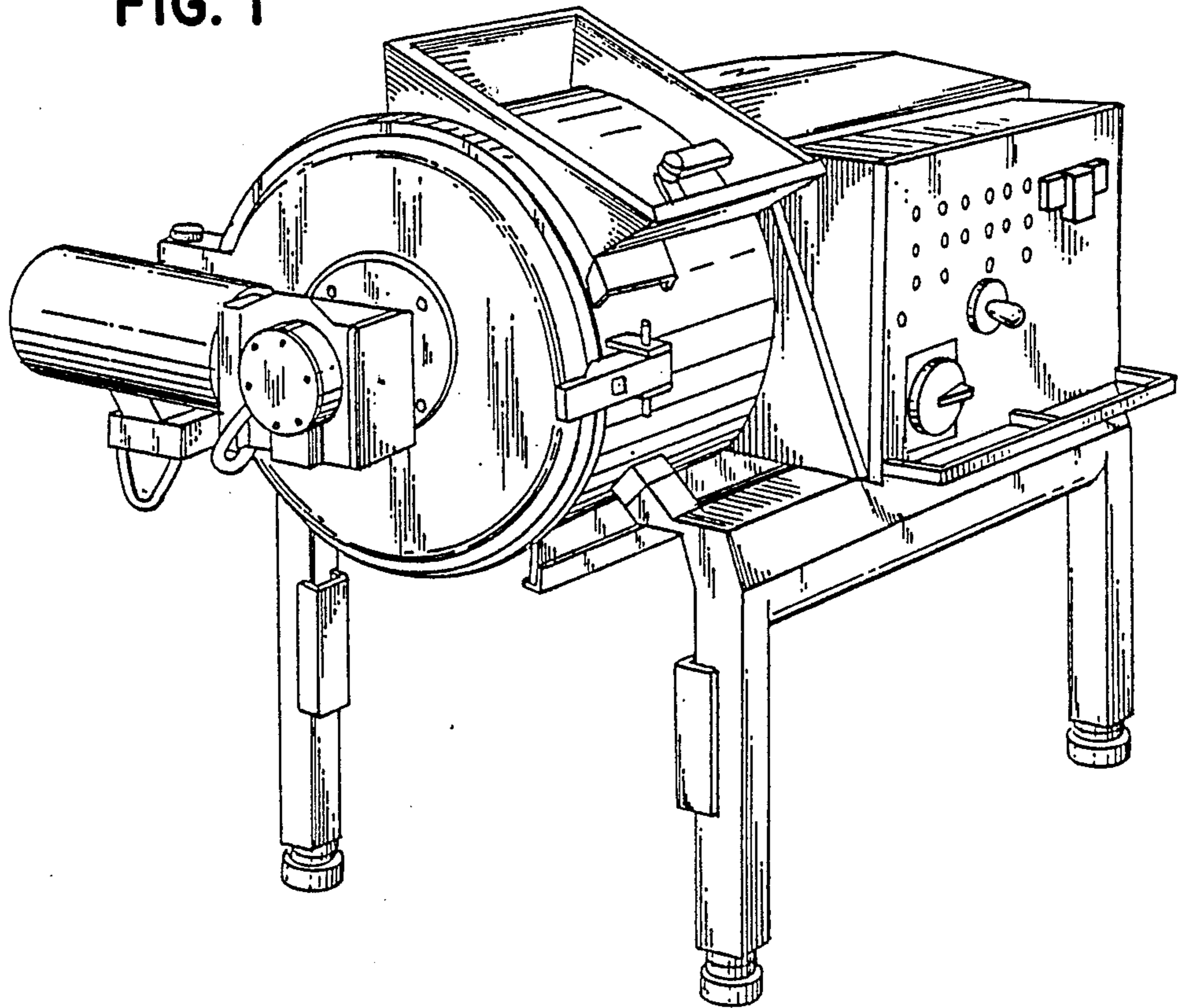


FIG. 2

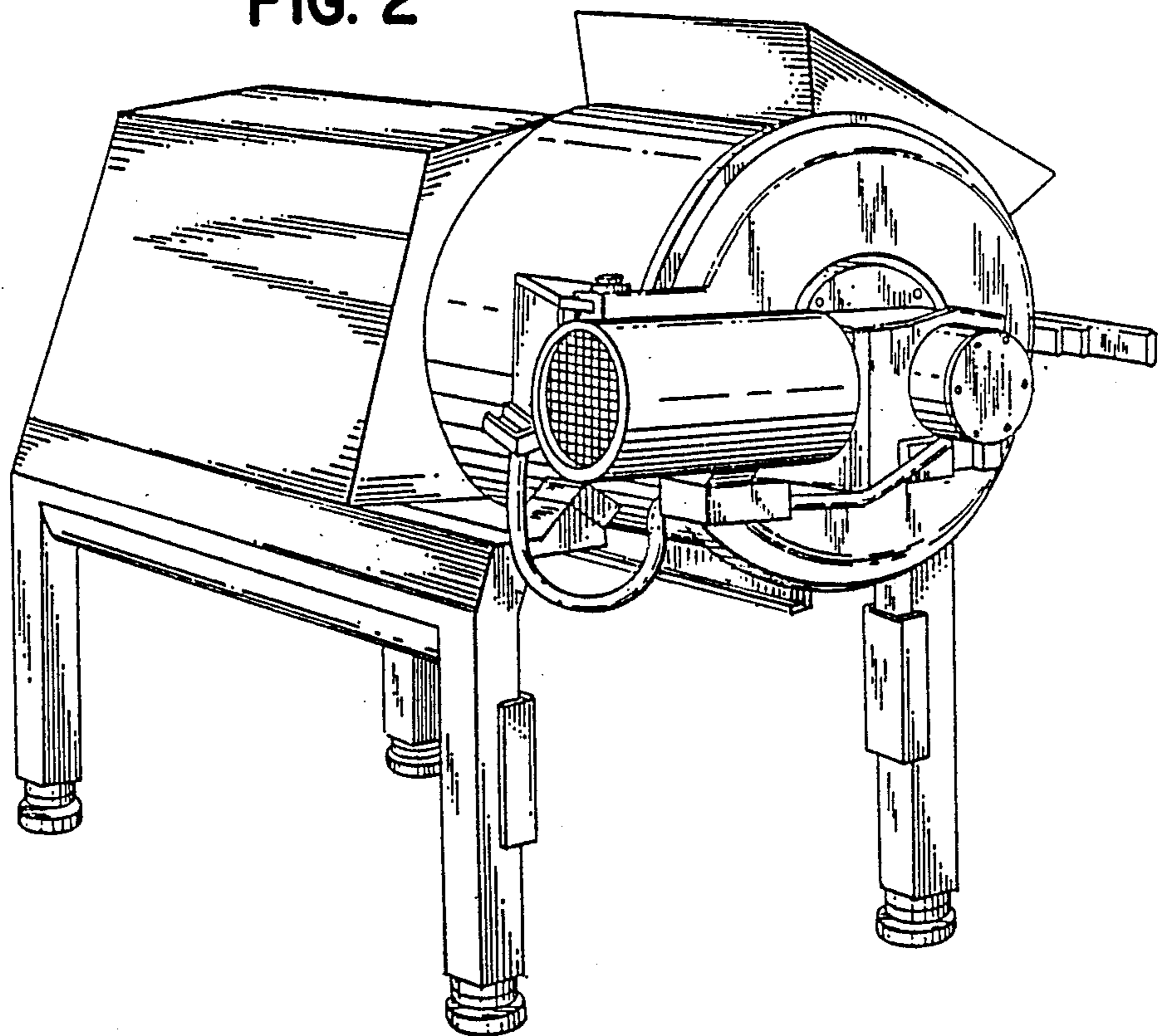


FIG. 3

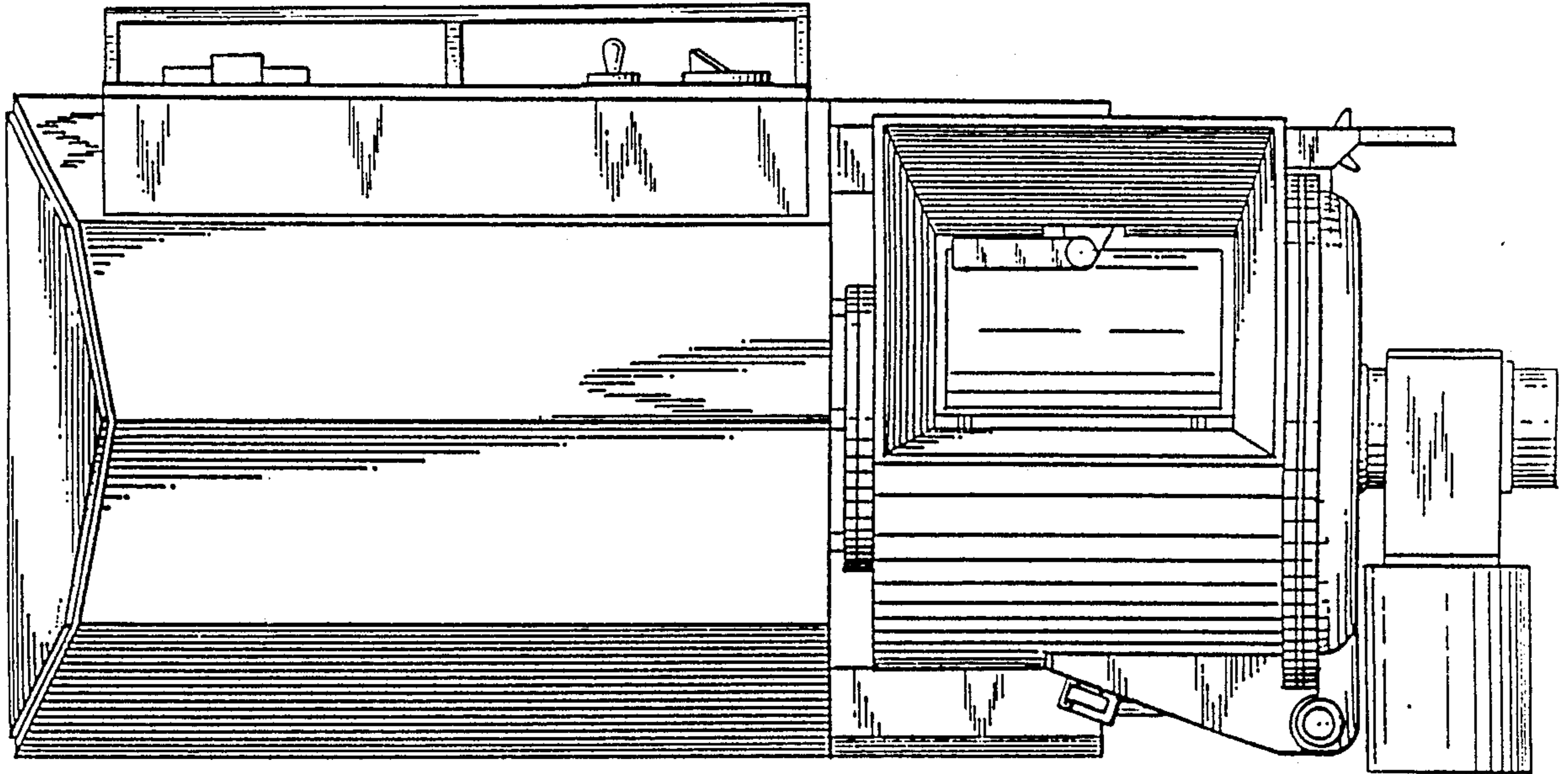


FIG. 4

