

# United States Patent [19]

Perrin et al.

[11] Patent Number: **Des. 312,180**

[45] Date of Patent: **\*\* Nov. 20, 1990**

[54] **DISPENSER CABINET FOR PAPER TOWELS**

[75] Inventors: **Patrick C. Perrin**, Rancho Palos Verdes; **Council A. Tucker**, Glendale; **Jimmie L. Whittington**, Diamond Bar, all of Calif.

[73] Assignee: **James River Corporation**, Oakland, Calif.

[\*\*] Term: **14 Years**

[21] Appl. No.: **400,731**

[22] Filed: **Aug. 17, 1989**

[52] U.S. Cl. .... **D6/522; D6/518**

[58] Field of Search ..... **D6/515, 518, 520, 522-523; 312/37-39; 242/55.2, 5.3, 55.53; 222/99-100, 173; 221/22, 30, 33, 45, 282, 284; 211/45; 206/389, 391**

[56] **References Cited**

**U.S. PATENT DOCUMENTS**

D. 219,355 12/1970 Tucker et al. .... D6/522

D. 288,161 2/1987 Payne, Jr. et al. .... D6/518 X  
3,737,087 6/1973 Rooklyn ..... 242/55.3 X  
3,843,218 10/1974 Krueger et al. .... 242/55.53 X  
4,358,169 11/1982 Filipowicz et al. .... 242/55.53 X

*Primary Examiner*—Wallace R. Burke  
*Assistant Examiner*—Brian N. Vinson  
*Attorney, Agent, or Firm*—Thomas R. Lampe

[57] **CLAIM**

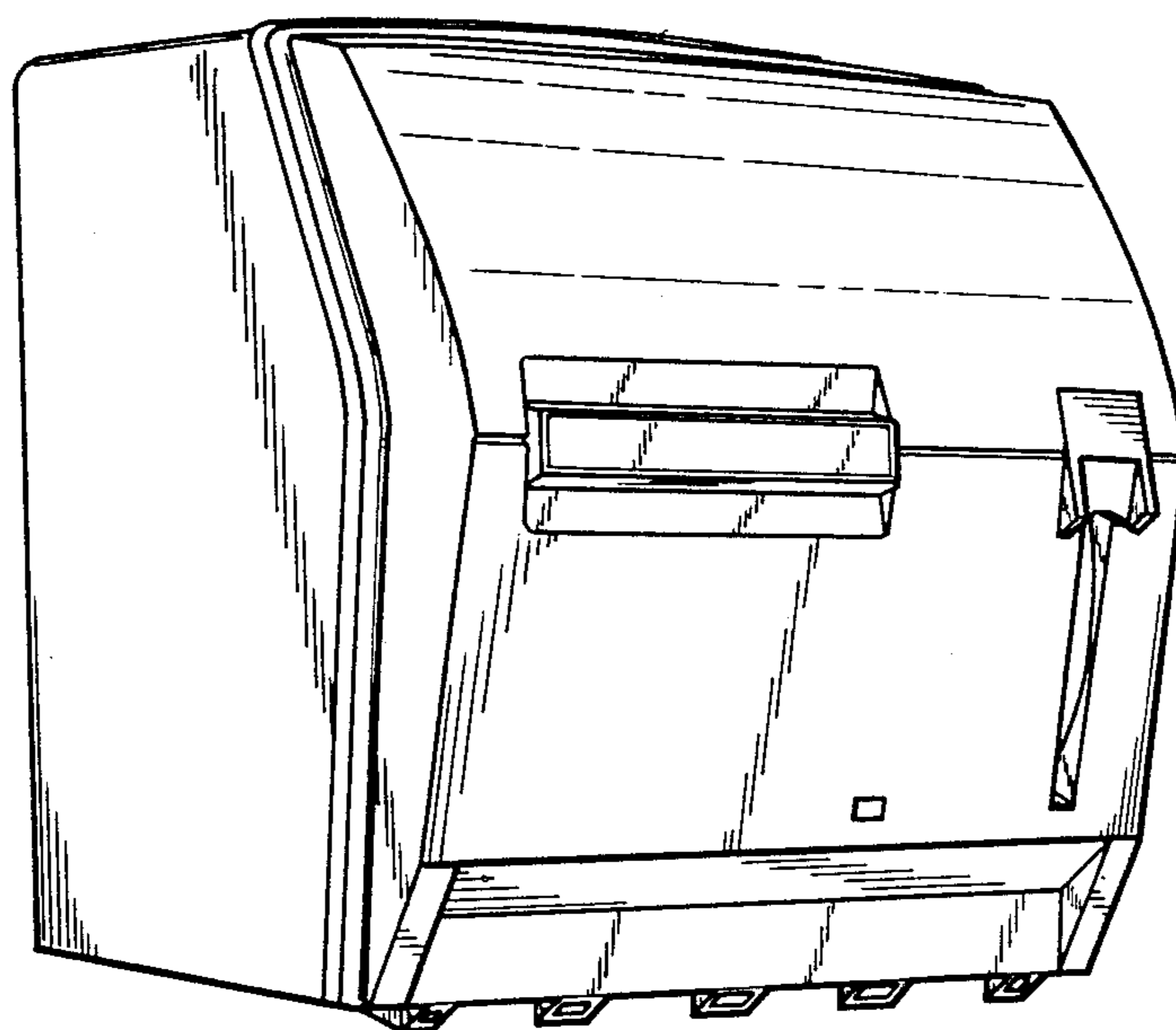
The ornamental design for a dispenser cabinet for paper towels, as shown and described.

**DESCRIPTION**

FIG. 1 is a front and left side perspective view of a dispenser cabinet for paper towels showing our new design;

FIG. 2 is an enlarged front elevational view thereof; FIG. 3 is an enlarged left side elevational view thereof; FIG. 4 is an enlarged right side elevational view thereof;

FIG. 5 is an enlarged top plan view thereof; and FIG. 6 is an enlarged bottom plan view thereof.



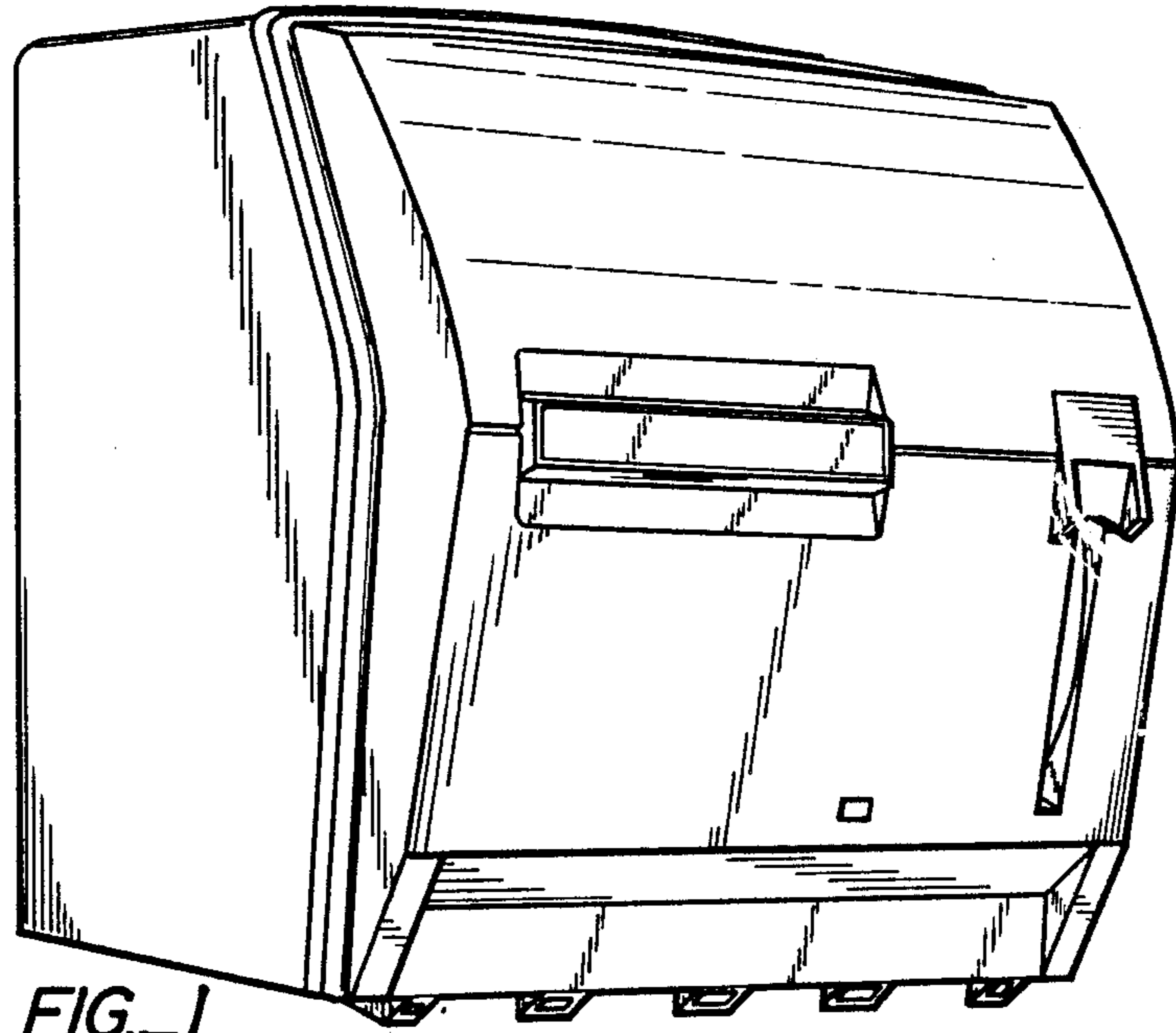
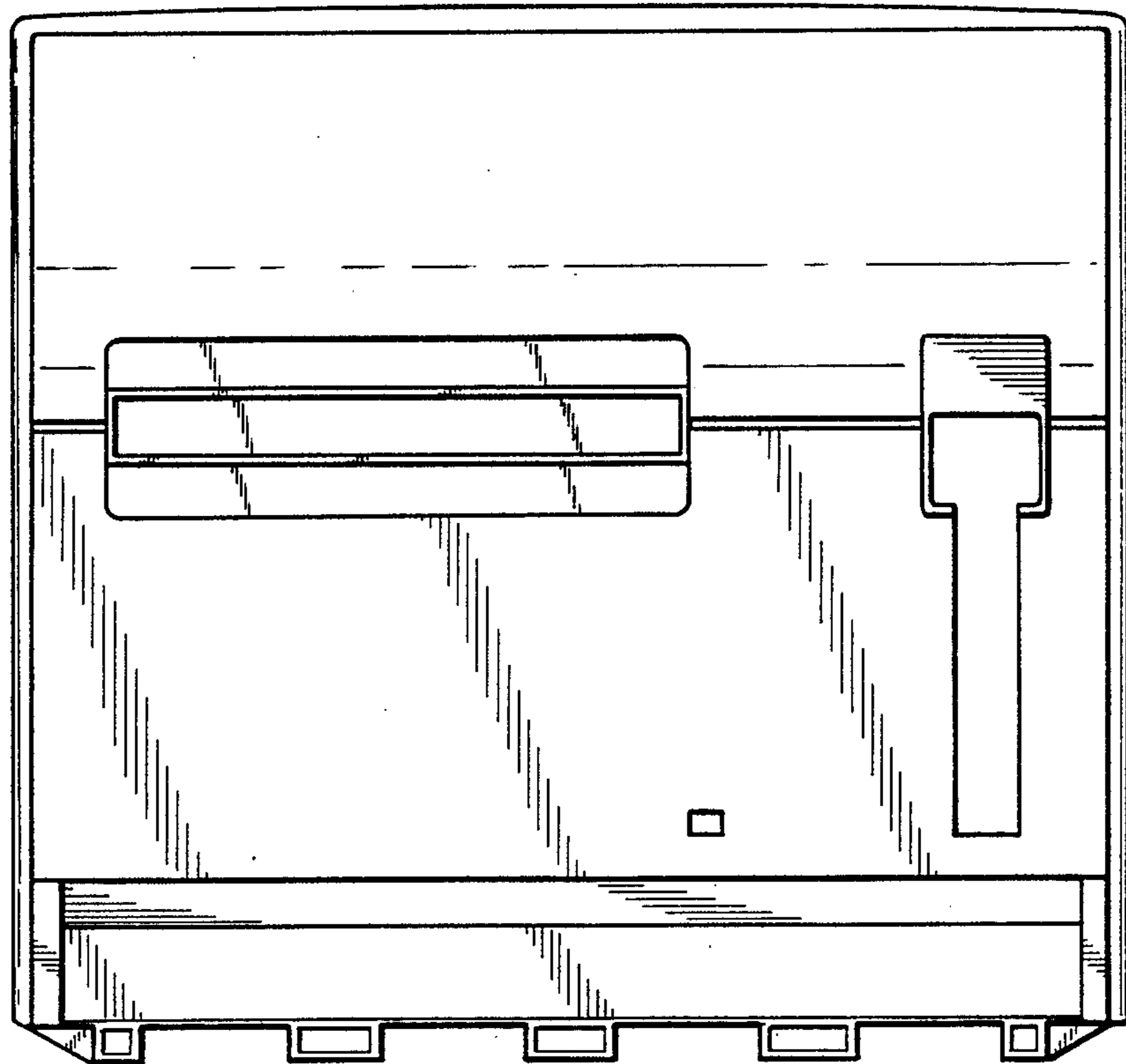


FIG. 2



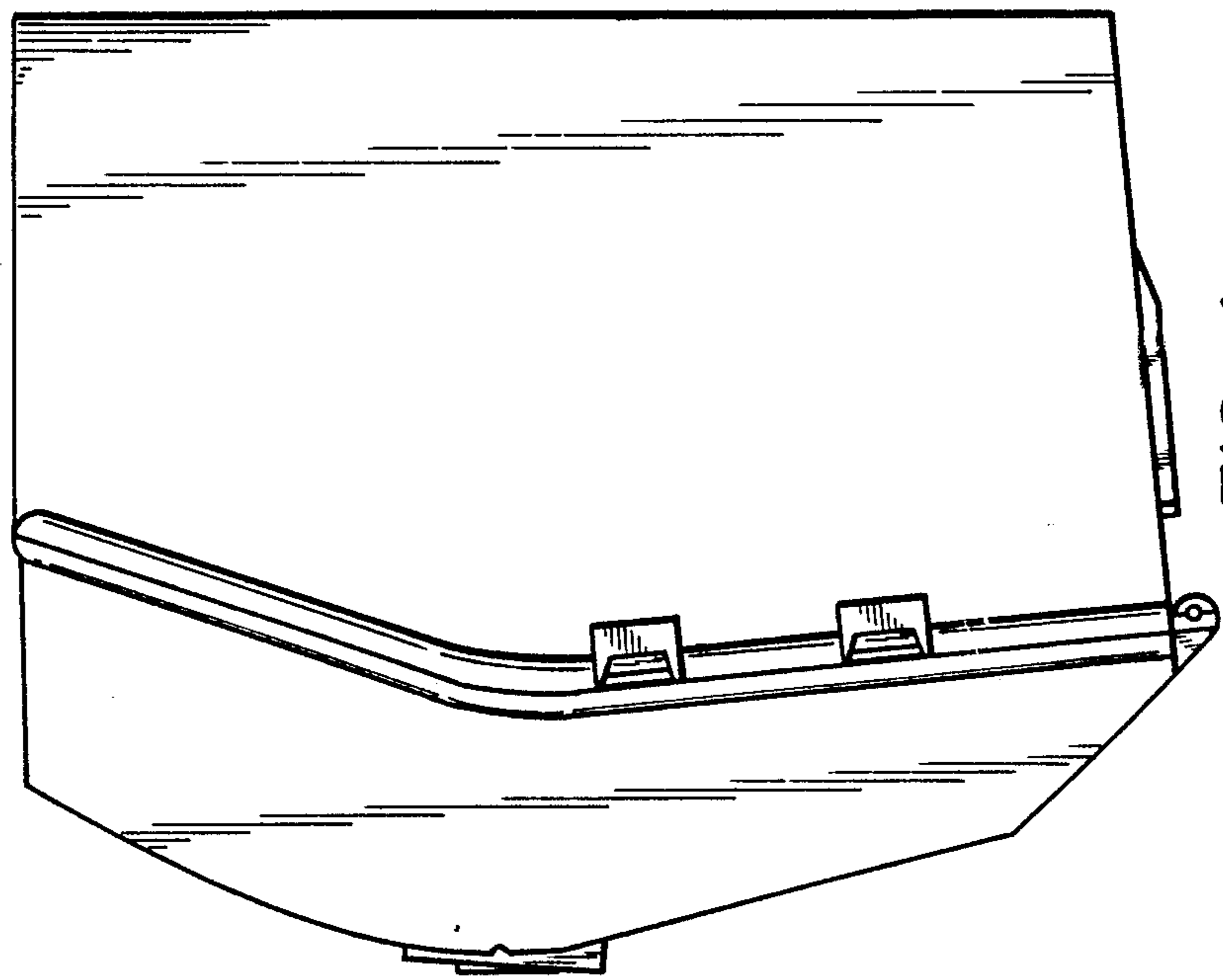


FIG.-4

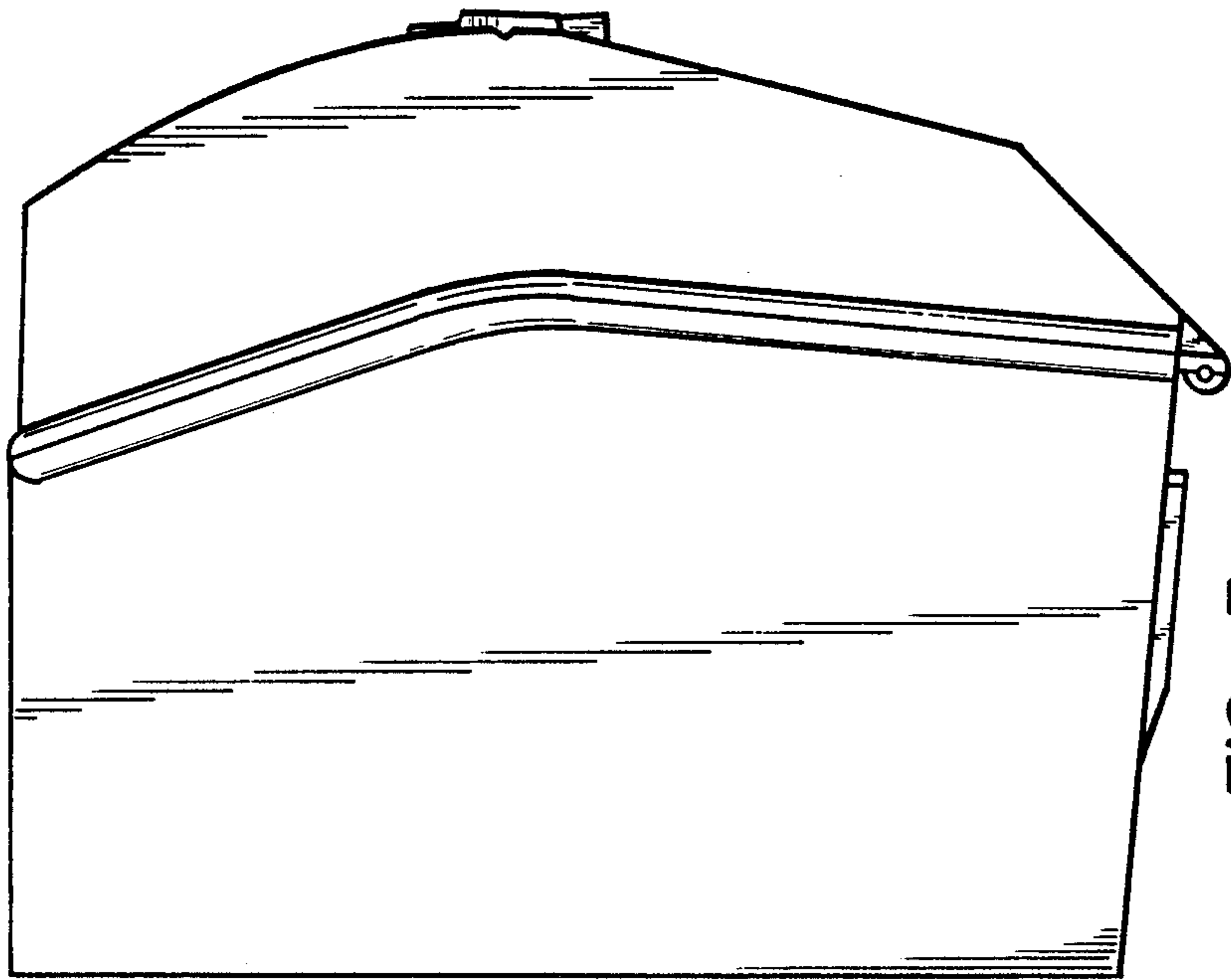


FIG.-3

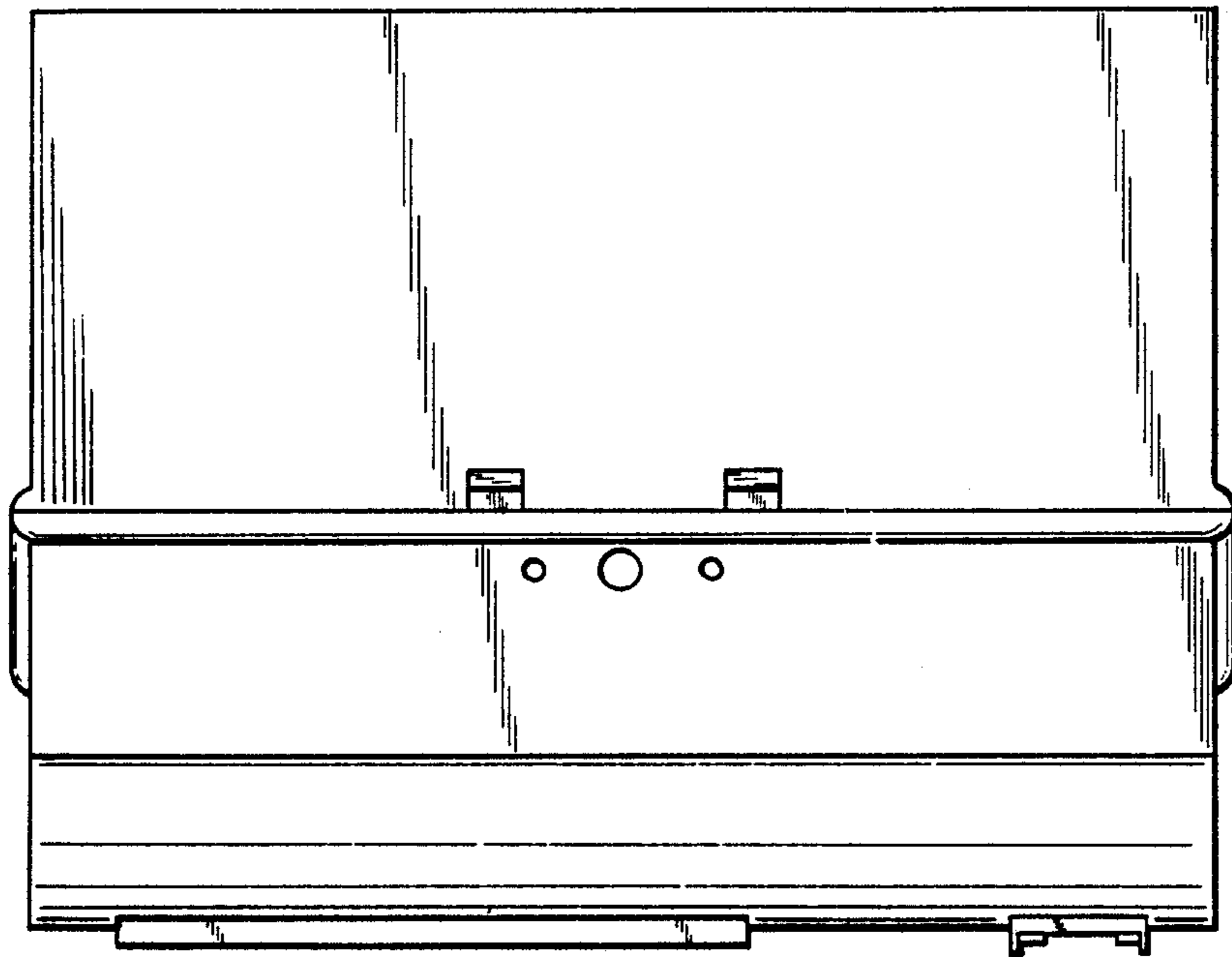


FIG. 5

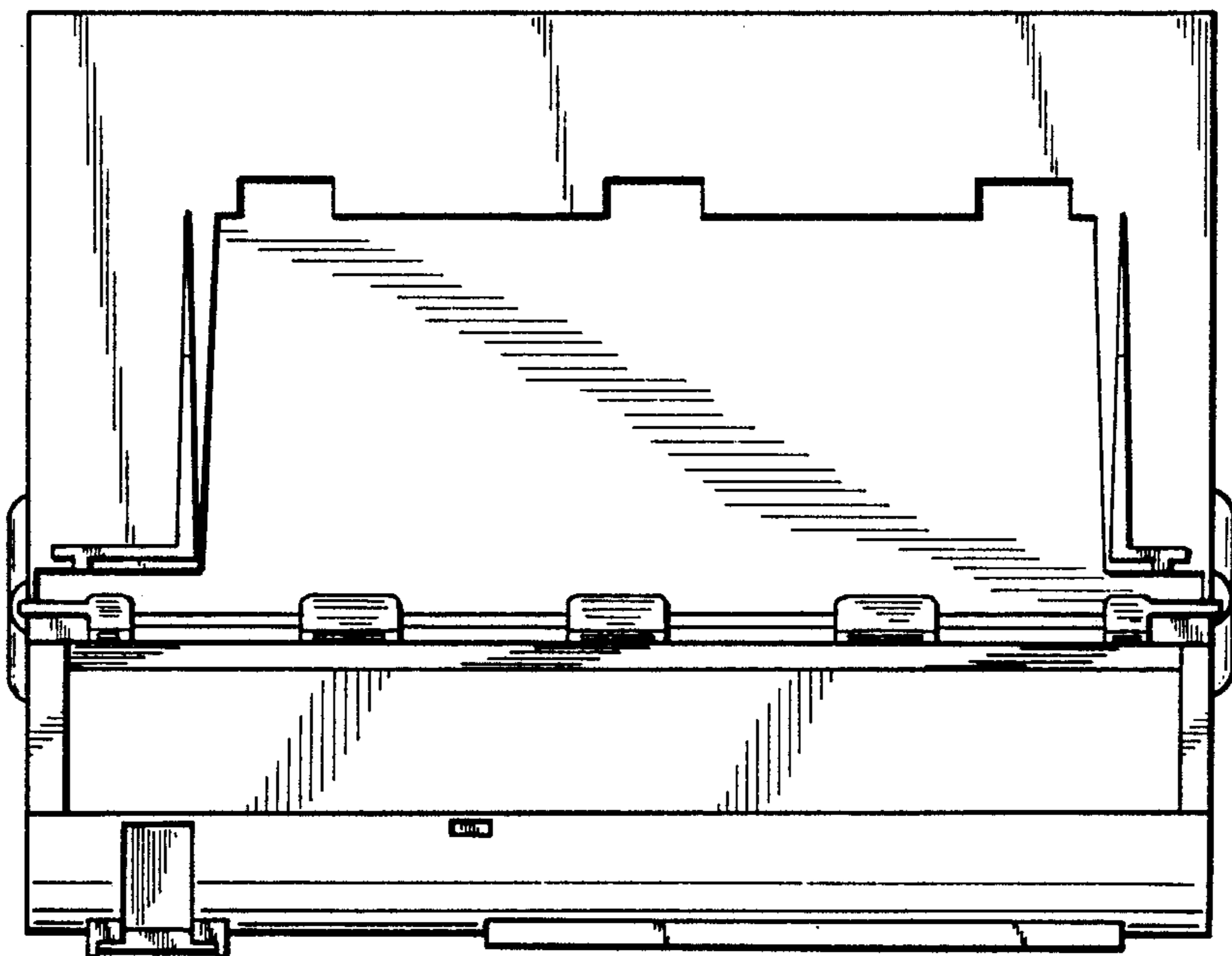


FIG. 6