

[54] **DOCUMENT STAND**
[75] **Inventor: James O. Kelley, Spring Lake, Mich.**
[73] **Assignee: Herman Miller, Inc., Zeeland, Mich.**
[**] **Term: 14 Years**
[21] **Appl. No.: 64,294**
[22] **Filed: Jun. 17, 1987**
[52] **U.S. Cl. D6/419; D6/462;
D19/91**
[58] **Field of Search D6/397, 407, 408, 418,
D6/419, 429, 430, 458, 462-468, 485; D19/89,
90, 91; 211/45; 248/175, 164, 97, 99**

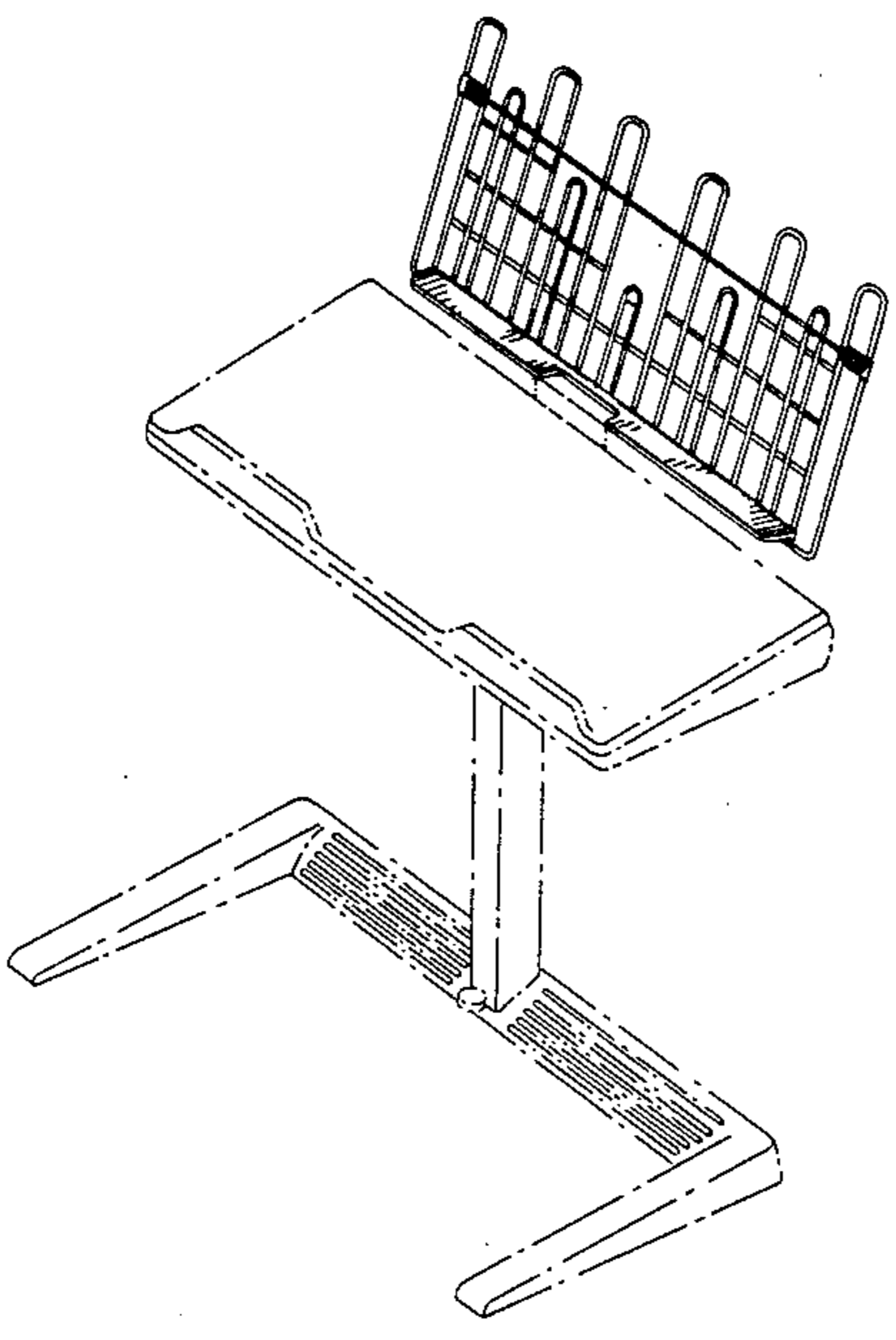
1,900,251 3/1933 Moore .
2,597,581 5/1952 Grant .
2,599,416 6/1952 Saecker .
3,099,101 7/1963 Burris .
4,109,889 8/1978 Durket .

Primary Examiner—Bruce W. Dunkins
Assistant Examiner—Jeffrey Asch
Attorney, Agent, or Firm—Varnum, Riddering, Schmidt & Howlett

[56] **References Cited**
U.S. PATENT DOCUMENTS
D. 191,360 9/1961 Bolcom D6/419
D. 242,918 1/1977 Lar Rieu D19/91
D. 253,775 12/1979 Lar Rieu D19/91
D. 263,971 4/1982 Smith D19/91
D. 264,032 4/1982 Rule .
490,569 1/1893 Lehman .
1,161,339 11/1915 Putnam .

[57] **CLAIM**
The ornamental design for a document stand, as shown and described.

DESCRIPTION
FIG. 1 is a front perspective view of a document stand showing my new design, the broken line disclosure of a table being for illustrative purposes only; FIG. 2 is a front elevational view thereof; FIG. 3 is a rear elevational view thereof; FIG. 4 is a right side elevational view, the left side being a mirror image thereof; FIG. 5 is a top plan view thereof; and FIG. 6 is a perspective view of a second embodiment of the document stand shown in FIG. 1.



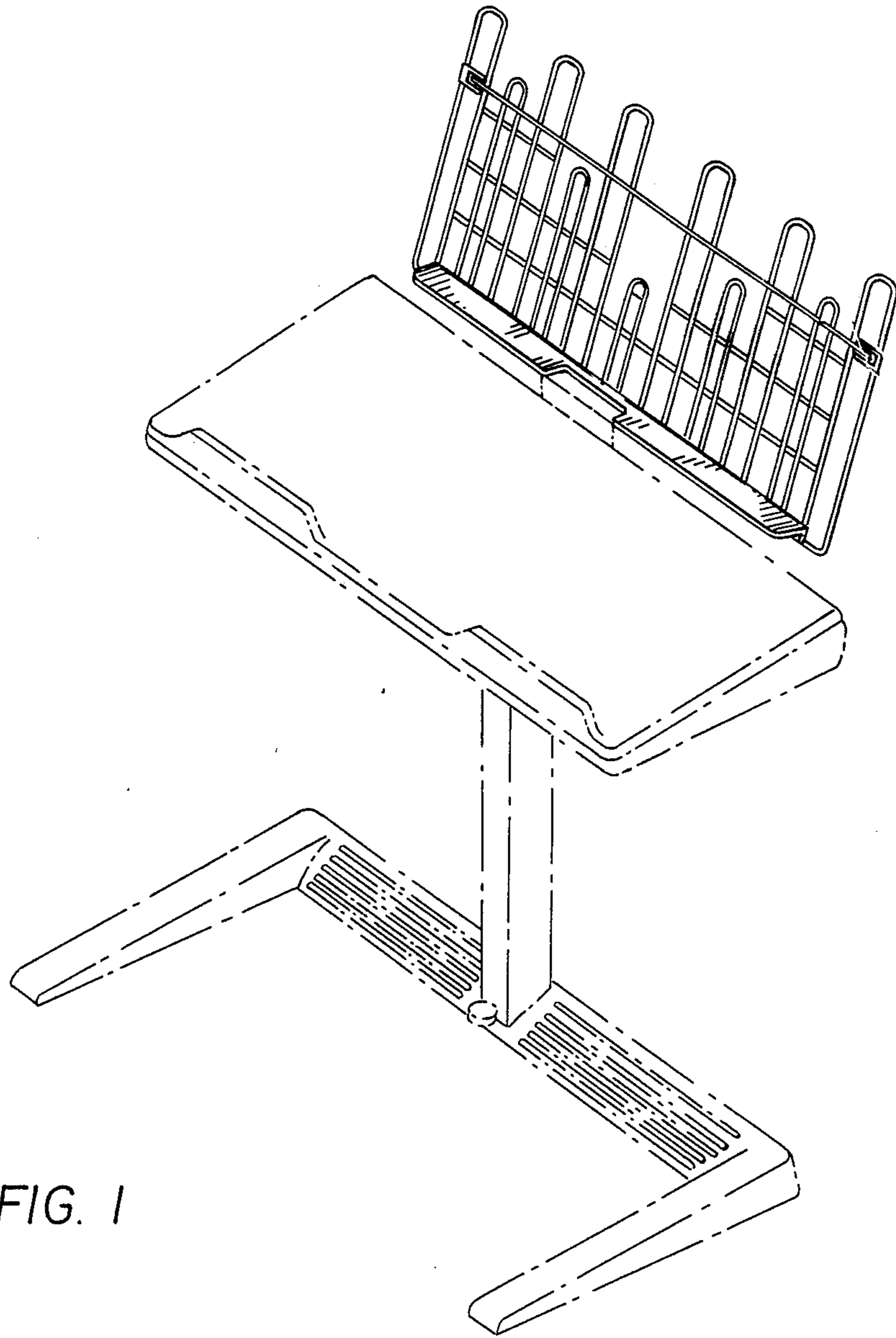


FIG. 1

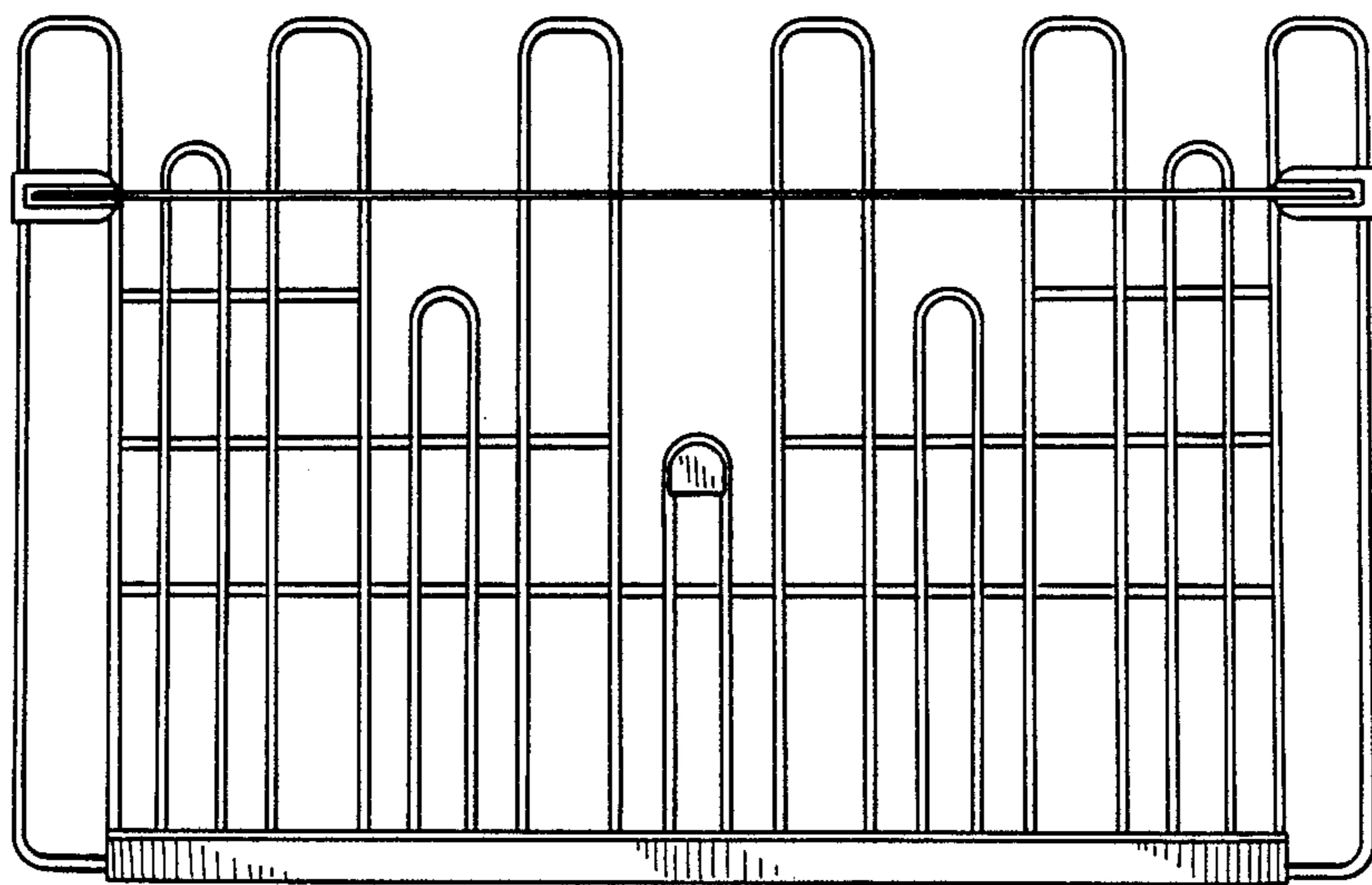


FIG. 2

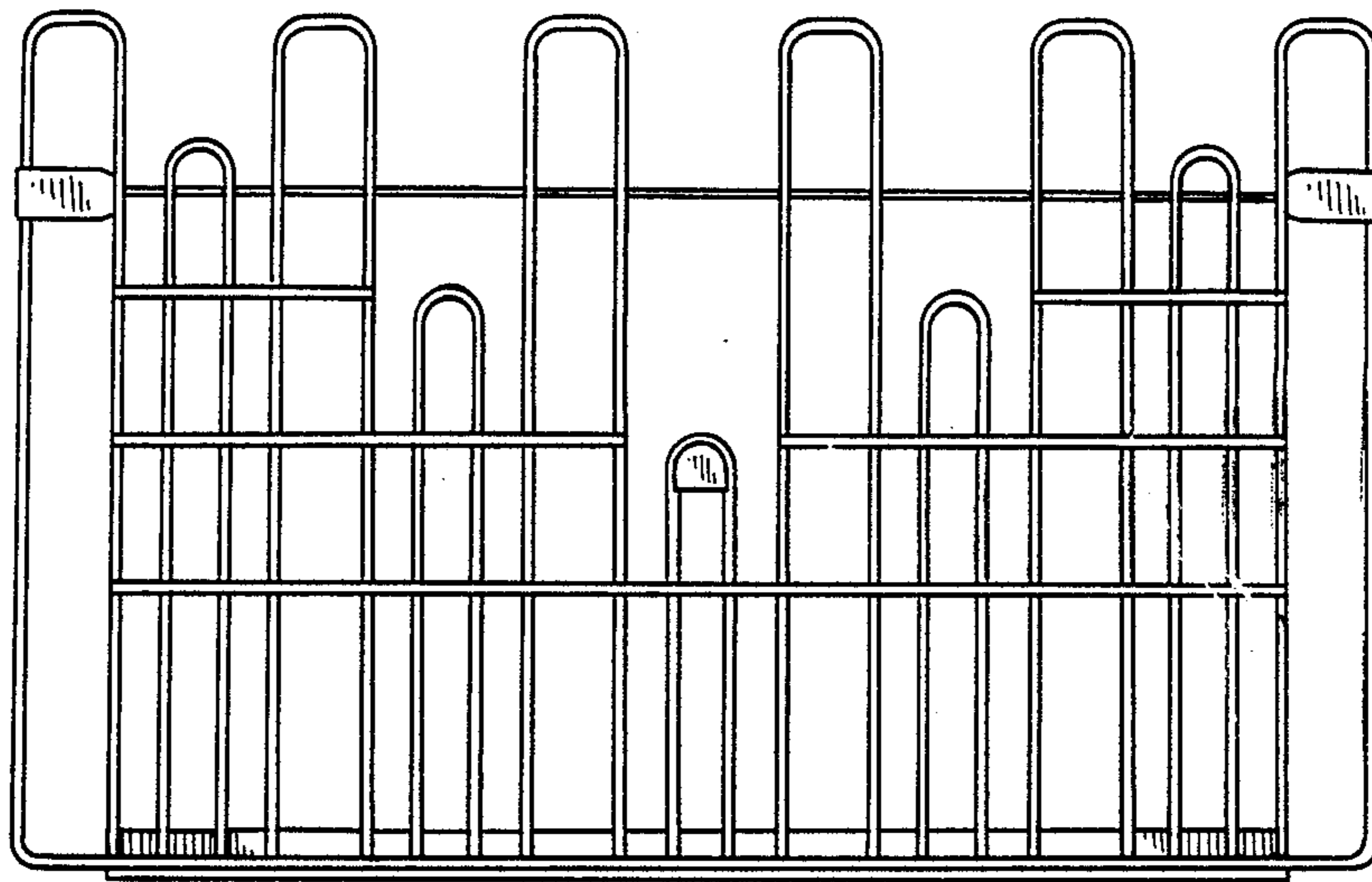


FIG. 3

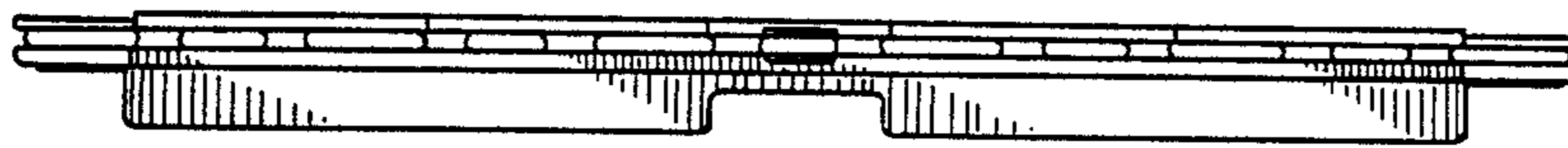


FIG. 5



FIG. 4

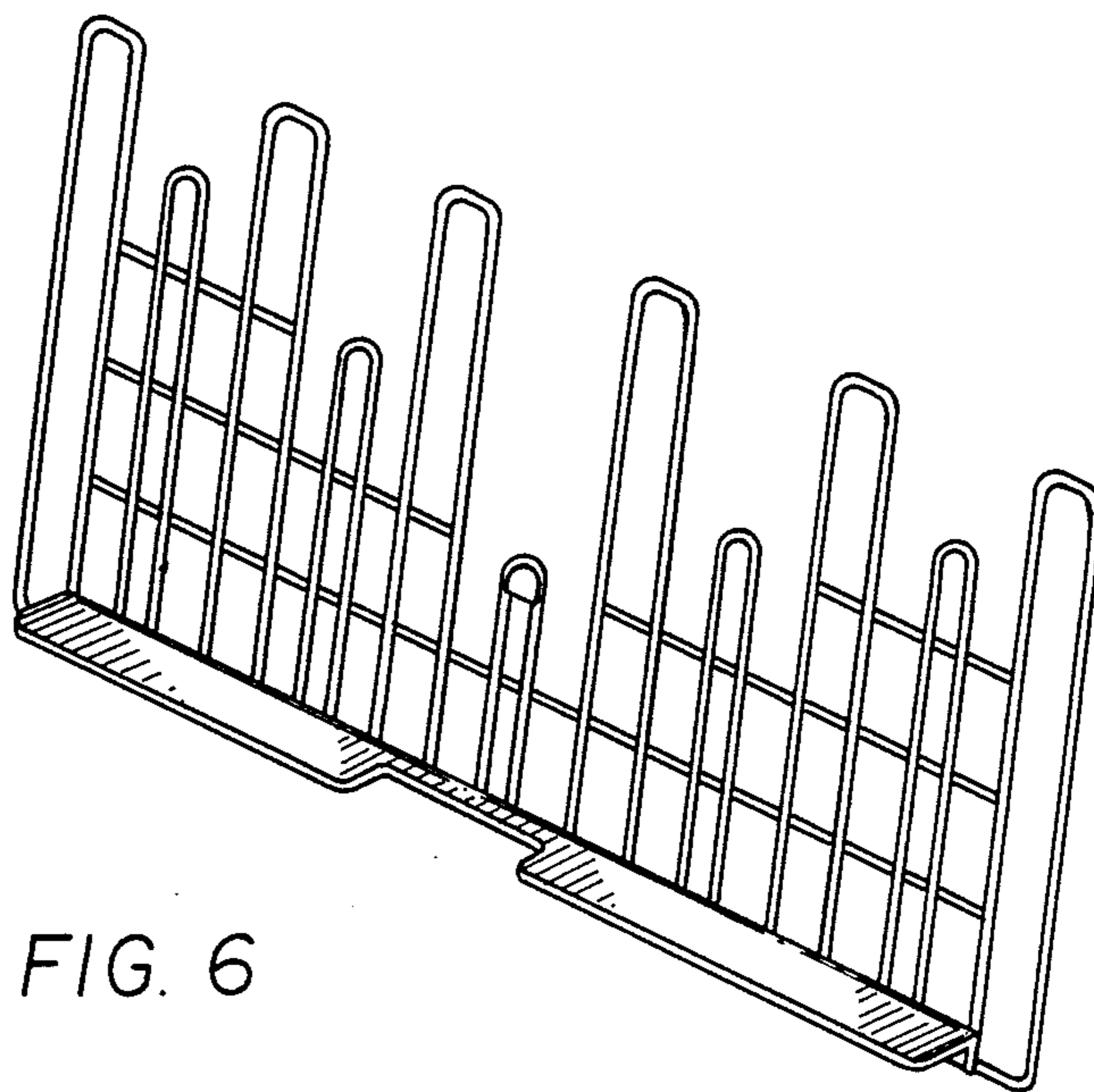


FIG. 6