

[54] AMMUNITION BOX

[75] Inventors: Larry D. Smith, Oak Grove; Robert G. Tanner, St. Charles, both of Mo.

[73] Assignee: Action Products Co., Inc., Odessa, Mo.

[**] Term: 14 Years

[21] Appl. No.: 59,319

[22] Filed: Jun. 8, 1987

[52] U.S. Cl. D3/30.1; D3/78

[58] Field of Search D3/30.1, 78, 38; 206/3; 224/241

[56] References Cited

U.S. PATENT DOCUMENTS

1,120,244	12/1914	Sachtleben	206/3
2,486,949	11/1949	Hutchison	206/3
3,039,650	6/1962	Hoffman	206/3
3,757,933	9/1973	Banta	206/3

FOREIGN PATENT DOCUMENTS

815792	4/1937	France	206/3
103972	2/1963	Netherlands	206/3
9148	6/1900	Norway	206/3

Primary Examiner—A. Hugo Word
Assistant Examiner—Doris V. Coles
Attorney, Agent, or Firm—Hovey, Williams, Timmons & Collins

[57] CLAIM

The ornamental design for an ammunition box, as shown and described.

DESCRIPTION

FIG. 1 is a front elevational view of an ammunition box, showing our new design;
FIG. 2 is a top plan view thereof;
FIG. 3 is a side elevational view, the opposite side being identical in appearance;
FIG. 4 is a front elevational view thereof;
FIG. 5 is a rear elevational view thereof; and
FIG. 6 is a bottom plan view of the ammunition box.

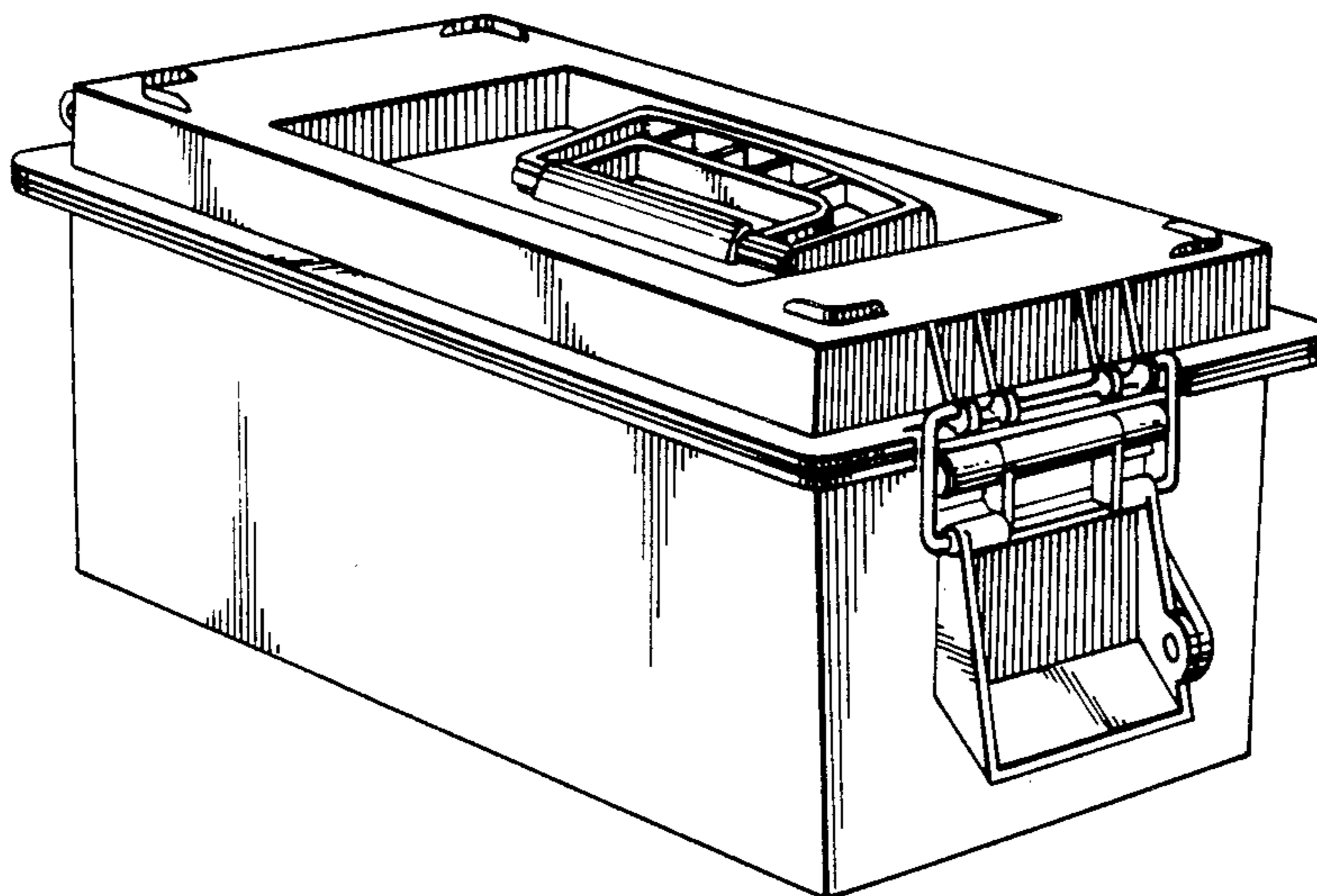


Fig. 1.

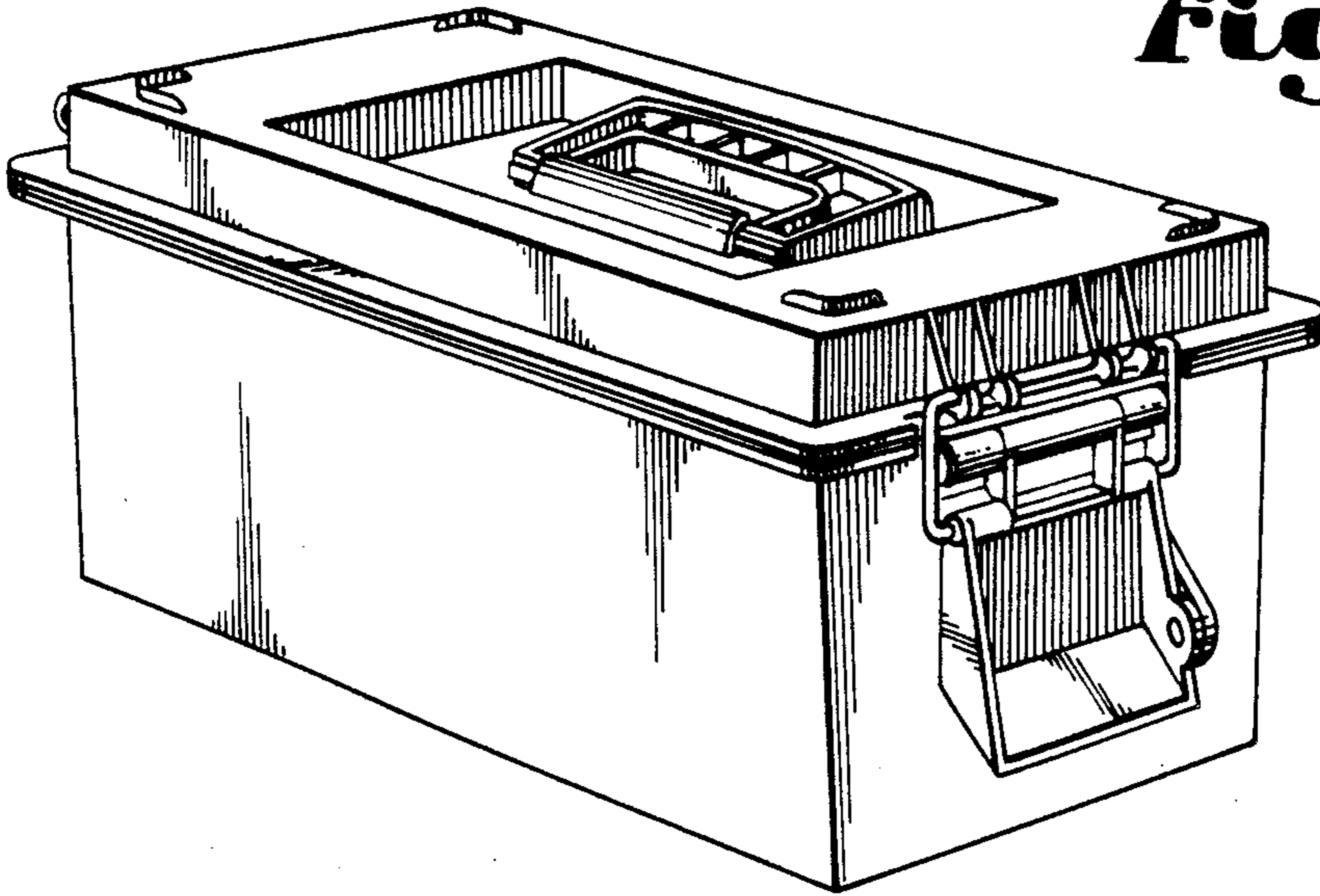


Fig. 2.

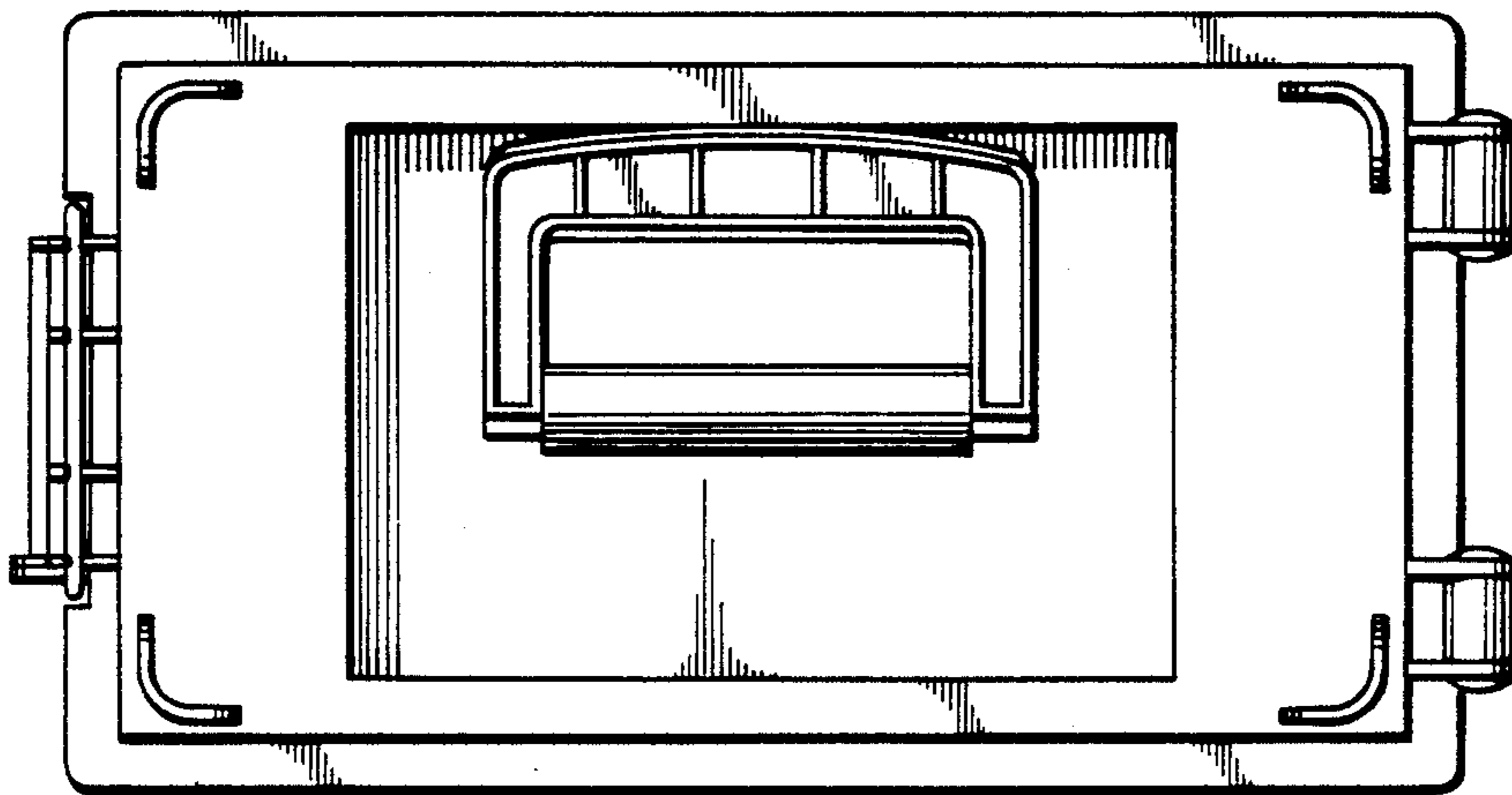


Fig. 3.

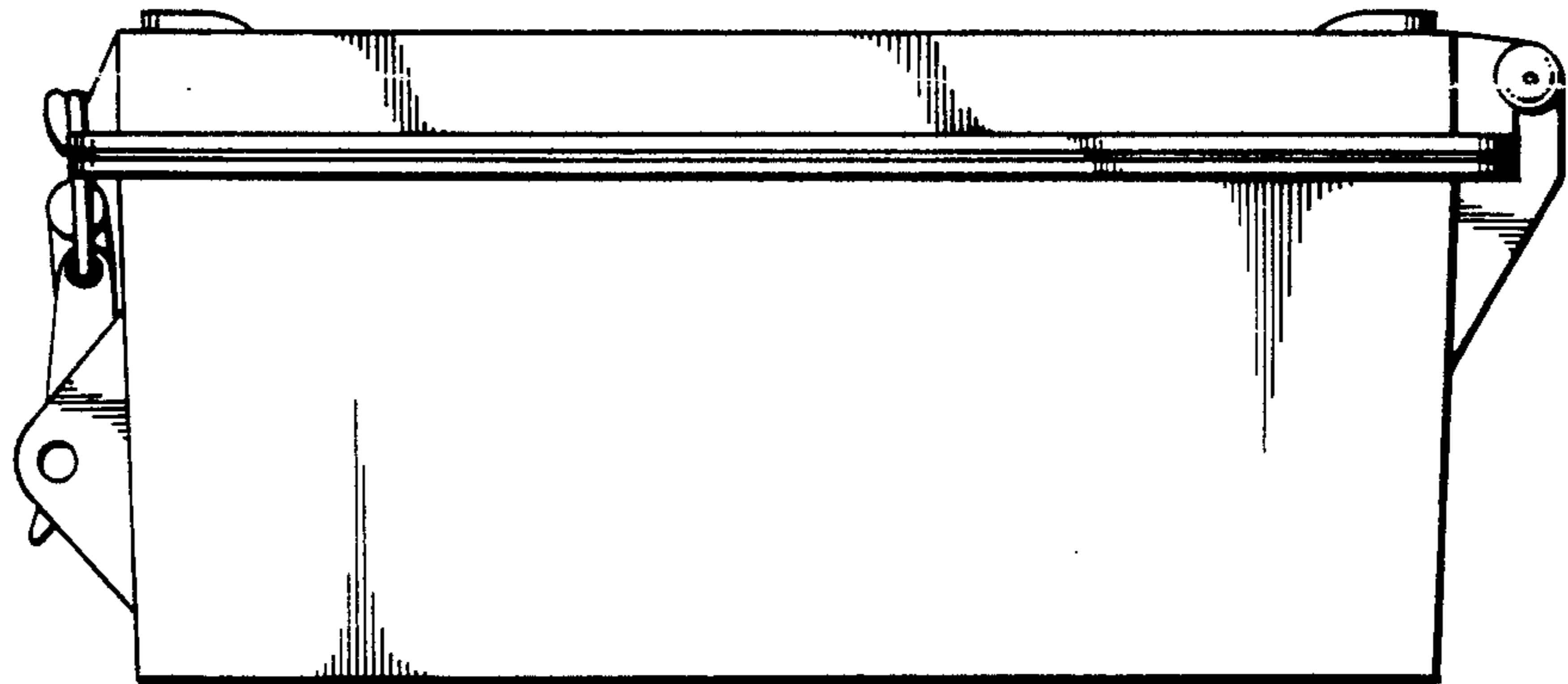


Fig. 4.

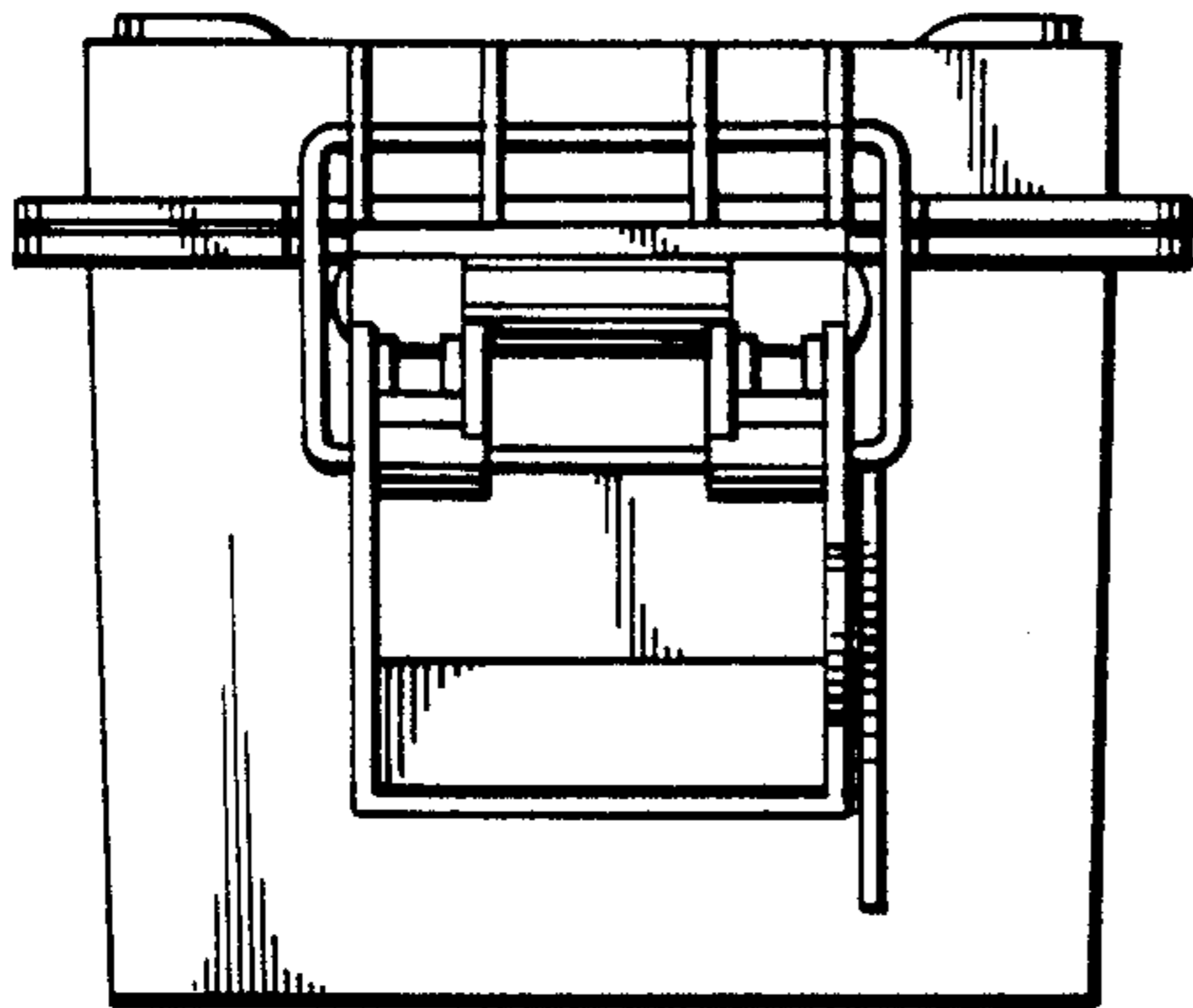


Fig. 5.

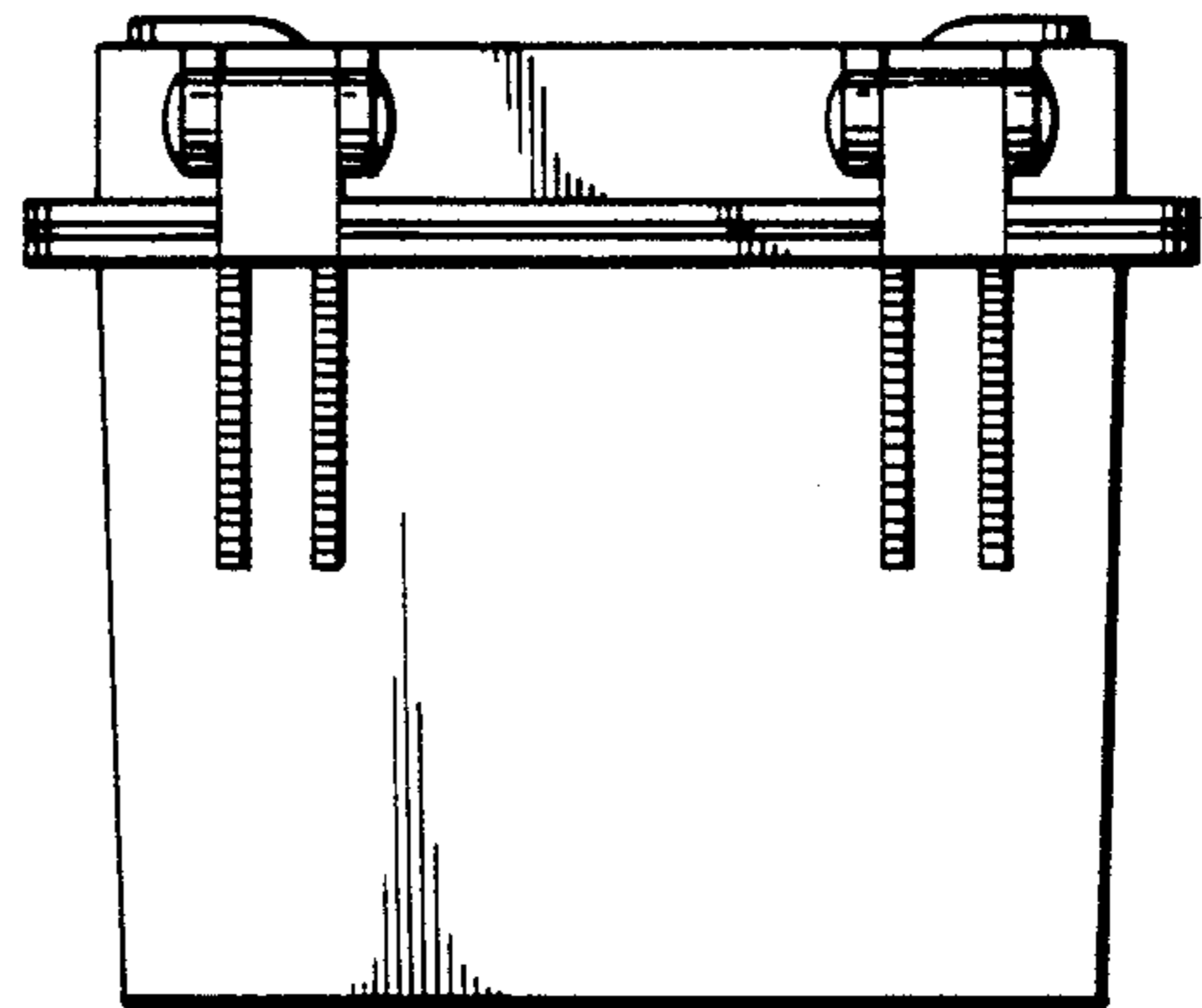


Fig. 6.

