

[54] **CAR TRAY**

[76] **Inventor: Charles S. Roth, 31505-5 Lindero Canyon Rd., Westlake Village, Calif. 91361**

[\*\*] **Term: 14 Years**

[21] **Appl. No.: 132,019**

[22] **Filed: Dec. 14, 1987**

[52] **U.S. Cl. .... D3/40; D7/553**

[58] **Field of Search .... D3/40, 74, 99; D7/37, D7/38, 70; 224/42.11, 42.42, 273, 275; D12/155-157; 108/44-46; 296/37.1, 37.8, 37.5, 37.12**

[56] **References Cited**  
**U.S. PATENT DOCUMENTS**

D. 257,914 1/1981 Wooters ..... D3/40

D. 286,344 10/1986 Hughes, Jr. .... D3/40  
2,825,611 3/1958 Aynesworth ..... D7/38 X  
3,804,031 4/1974 Pitts ..... D7/38 X  
4,830,243 5/1989 Mann ..... 108/44 X

*Primary Examiner*—Louis S. Zarfes  
*Attorney, Agent, or Firm*—Timothy T. Tyson

[57] **CLAIM**

The ornamental design for a car tray, as shown.

**DESCRIPTION**

FIG. 1 is a perspective view of a car tray with its support arm and support arm head rotated showing my new design;

FIG. 2 is a right side elevational view;

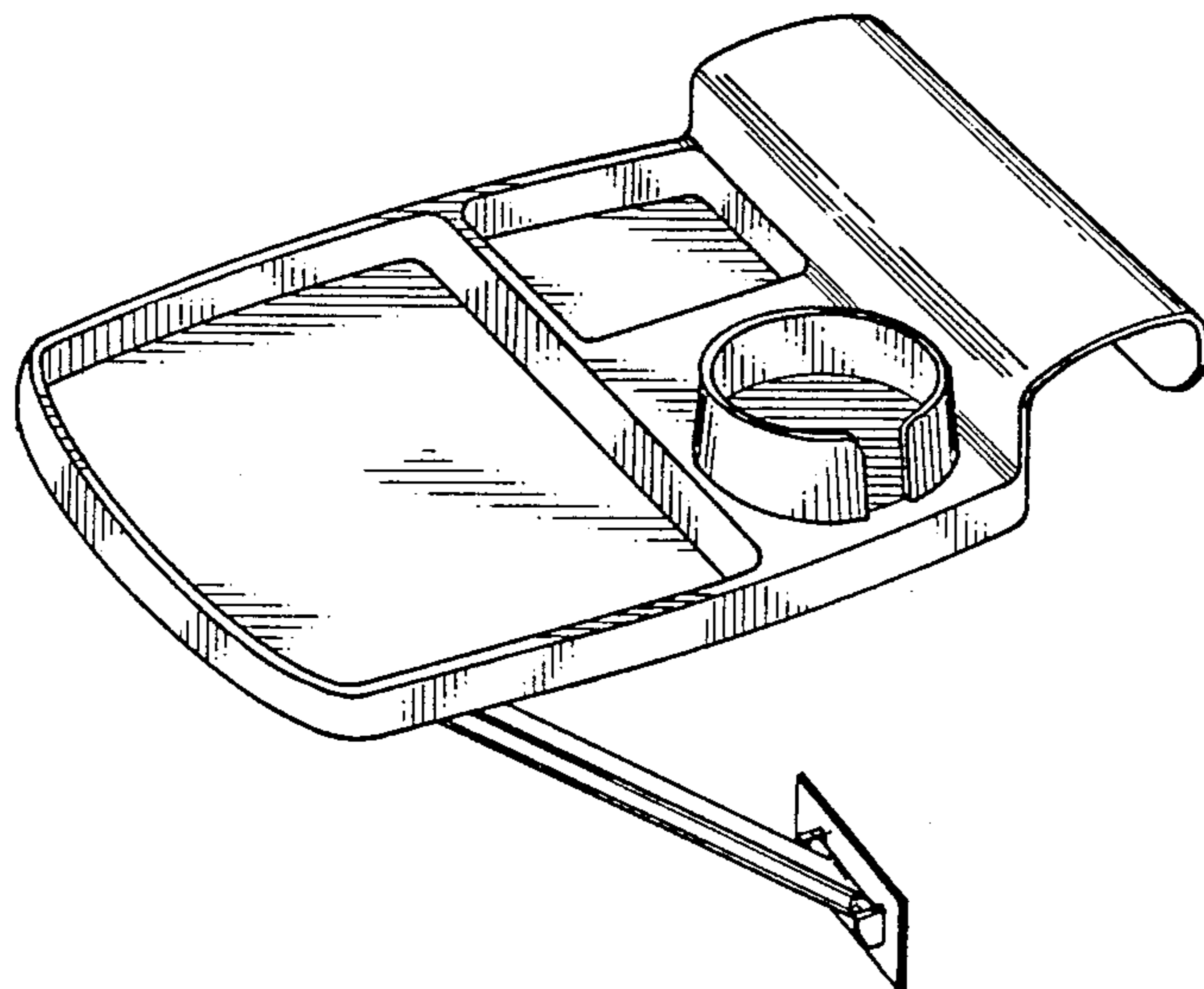
FIG. 3 is a left side elevational view;

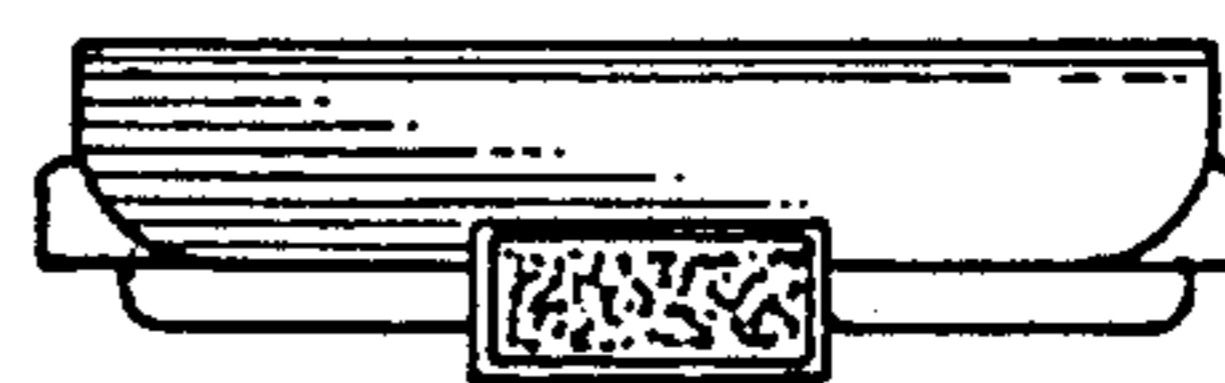
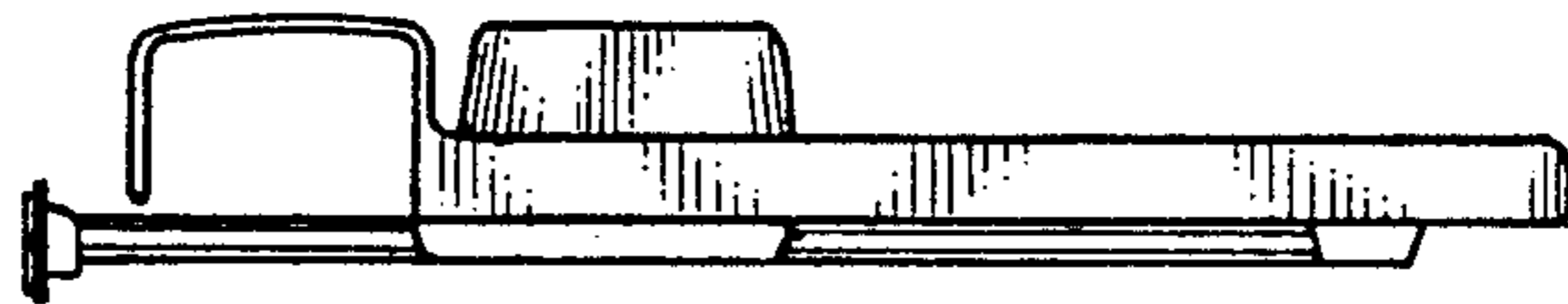
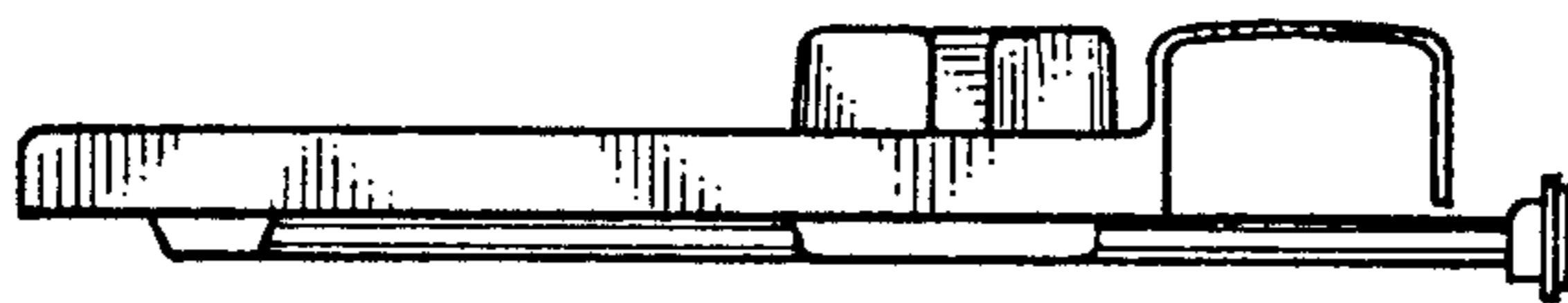
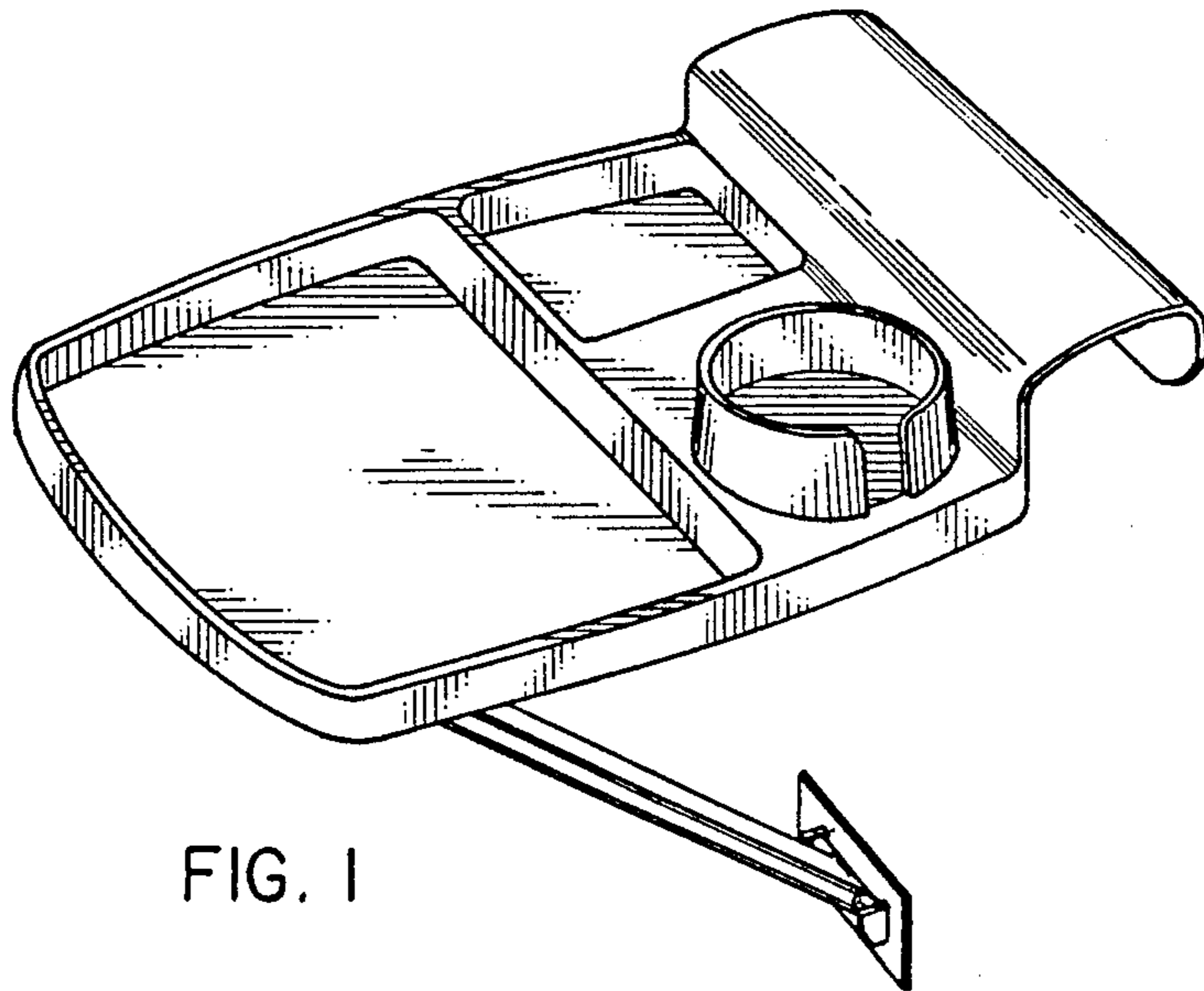
FIG. 4 is a front elevational view;

FIG. 5 is a rear elevational view;

FIG. 6 is a top plan view;

FIG. 7 is a bottom plan view.





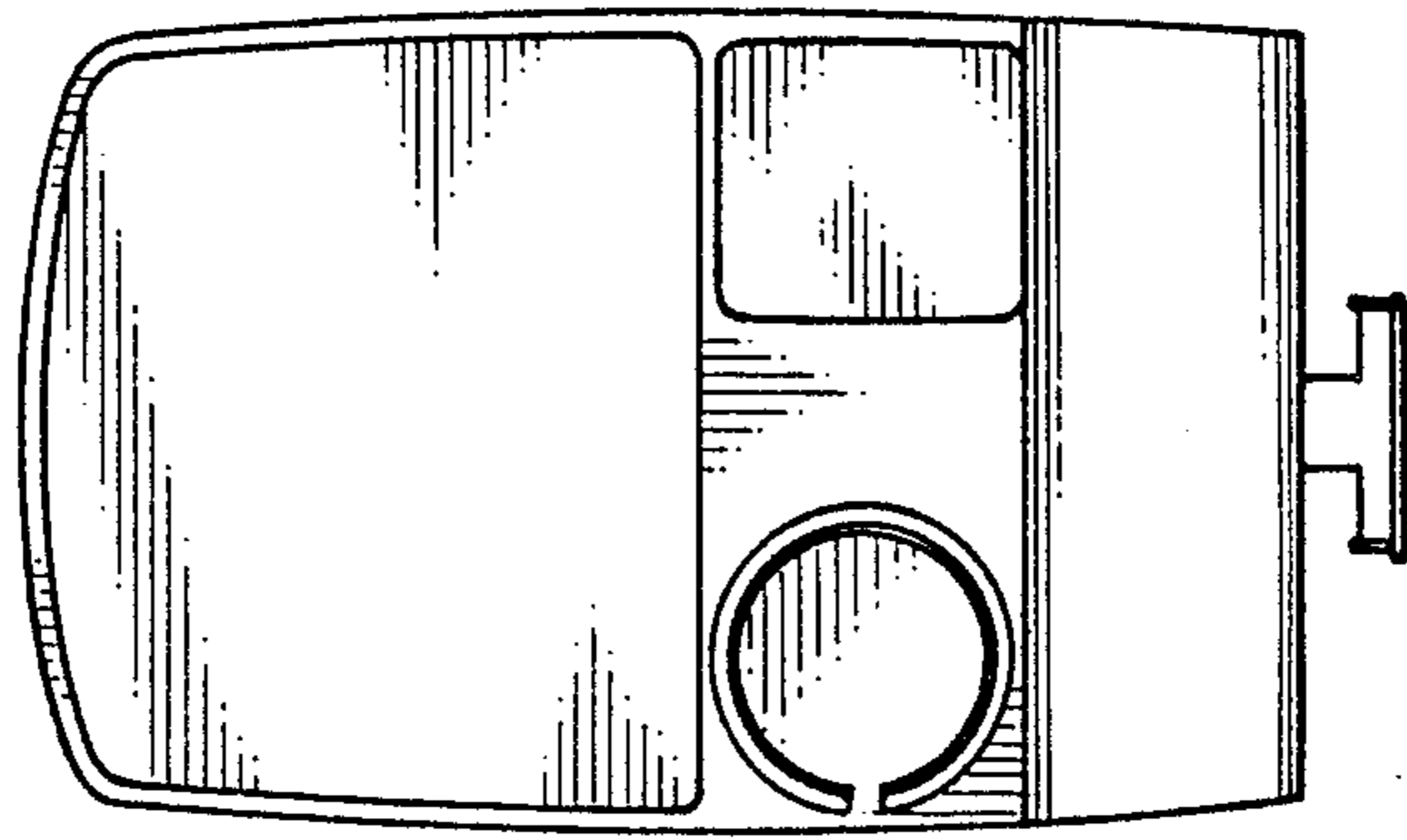


FIG. 6

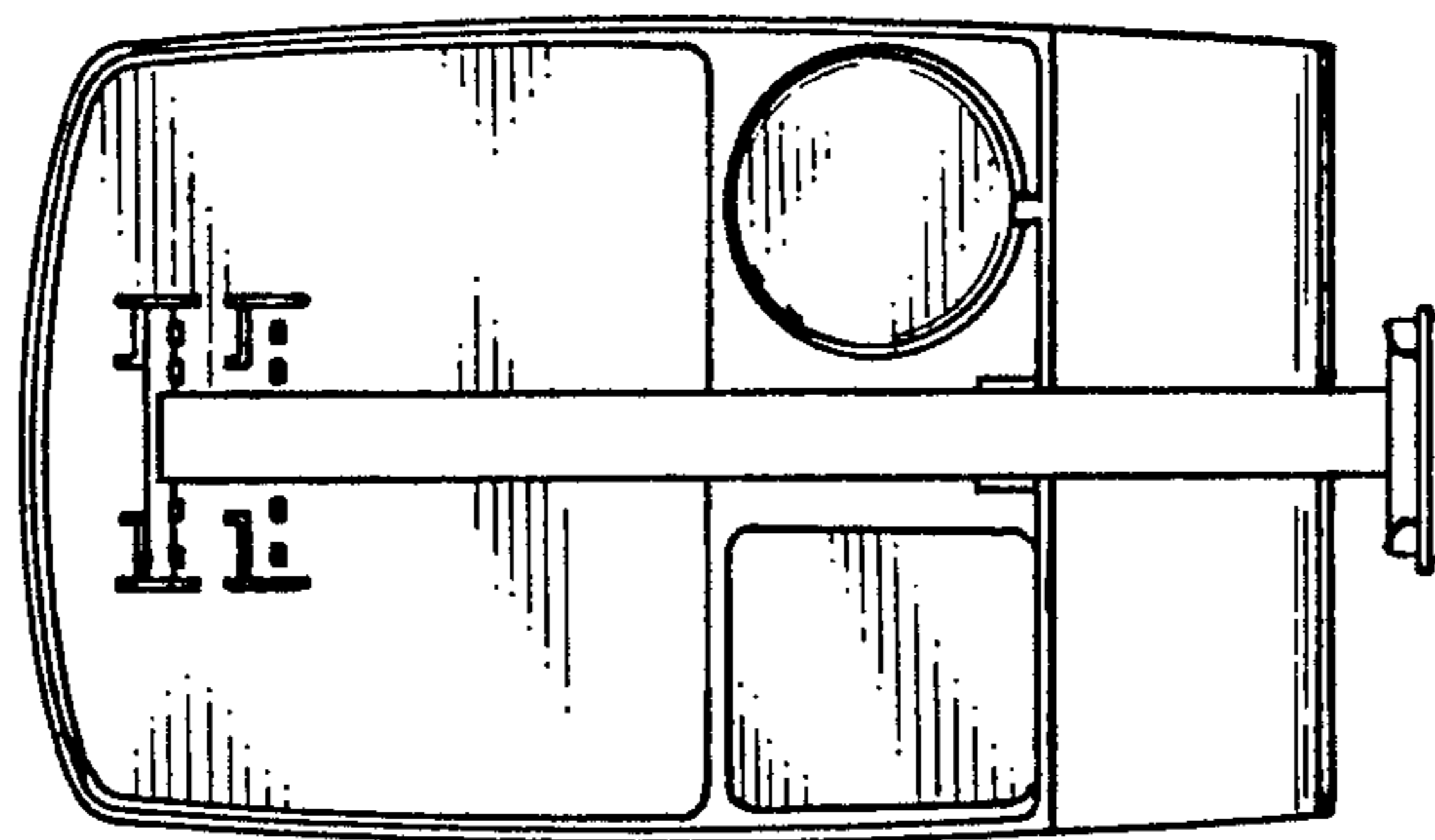


FIG. 7