

[54] **SHOELACE EYELET**
[75] **Inventor: Yoshiaki Hase, Kobe, Japan**
[73] **Assignee: Asics Corporation, Hyogo, Japan**
[**] **Term: 14 Years**
[21] **Appl. No.: 124,514**
[22] **Filed: Nov. 24, 1987**
[30] **Foreign Application Priority Data**
 May 29, 1987 [JP] Japan 62-22301
[52] **U.S. Cl. D2/314**
[58] **Field of Search D2/264, 265, 310, 313,**
 D2/314, 316; 36/102-106, 50, 112-116, 132,
 136; 24/140-142
[56] **References Cited**
 U.S. PATENT DOCUMENTS
 D. 114,917 5/1939 Cairns D2/310

4,670,949 6/1987 Autry 24/140

Primary Examiner—Louis S. Zarfes
Attorney, Agent, or Firm—Nixon & Vanderhye

[57] **CLAIM**

The ornamental design for a shoelace eyelet, as shown and described.

DESCRIPTION

FIG. 1 is a perspective of a shoelace eyelet showing my new design on a reduced scale;
FIG. 2 is a perspective view thereof;
FIG. 3 is a top plan view thereof;
FIG. 4 is a left side elevational view thereof;
FIG. 5 is a front elevational view thereof;
FIG. 6 is a right side elevational view thereof;
FIG. 7 is a rear elevational view thereof;
FIG. 8 is a section taken on lines VIII—VIII of FIG. 5. The broken line showing a shoe in FIG. 1 is for illustrative purposes only and forms no part of the claimed design.

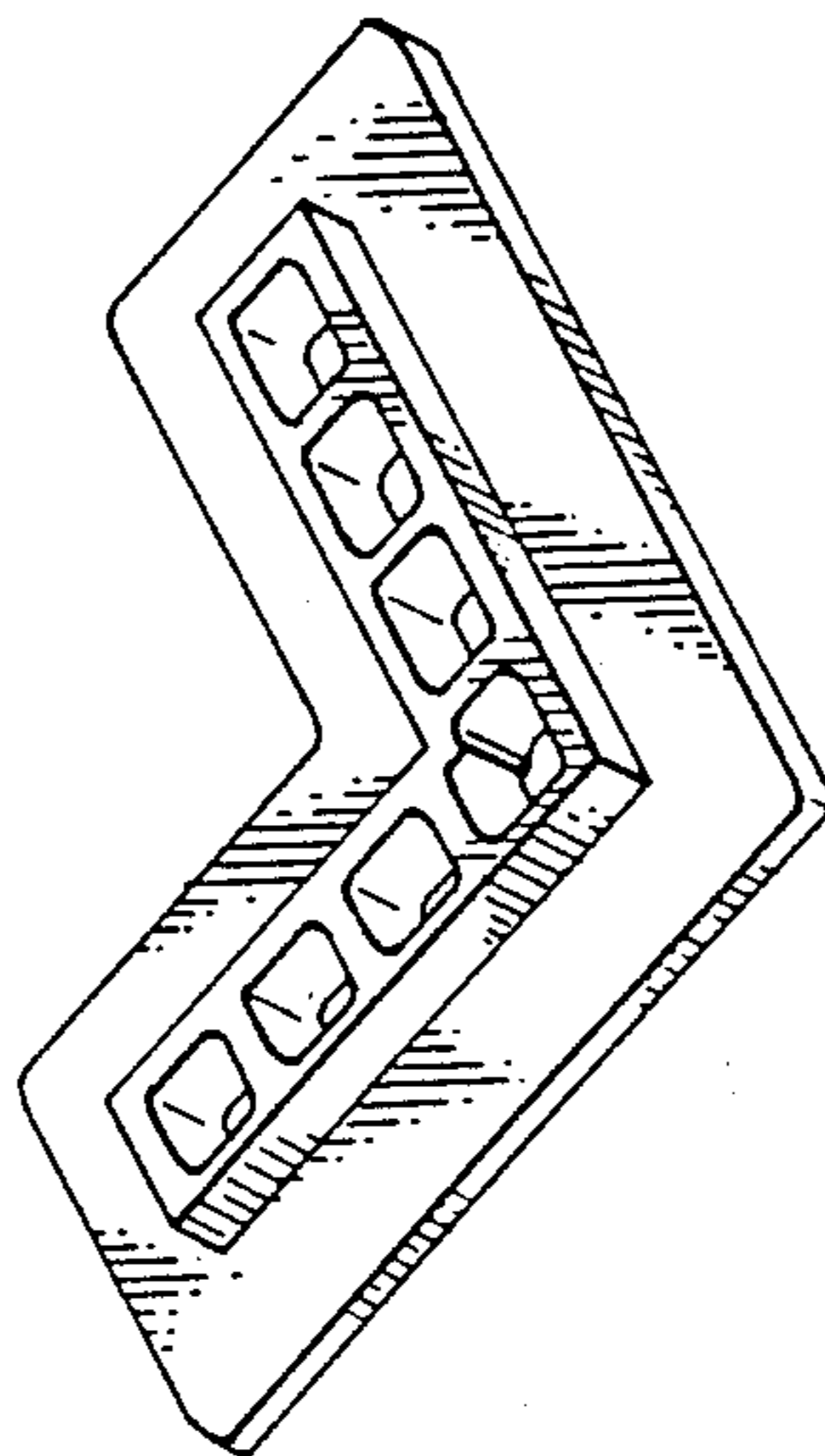


Fig. 2

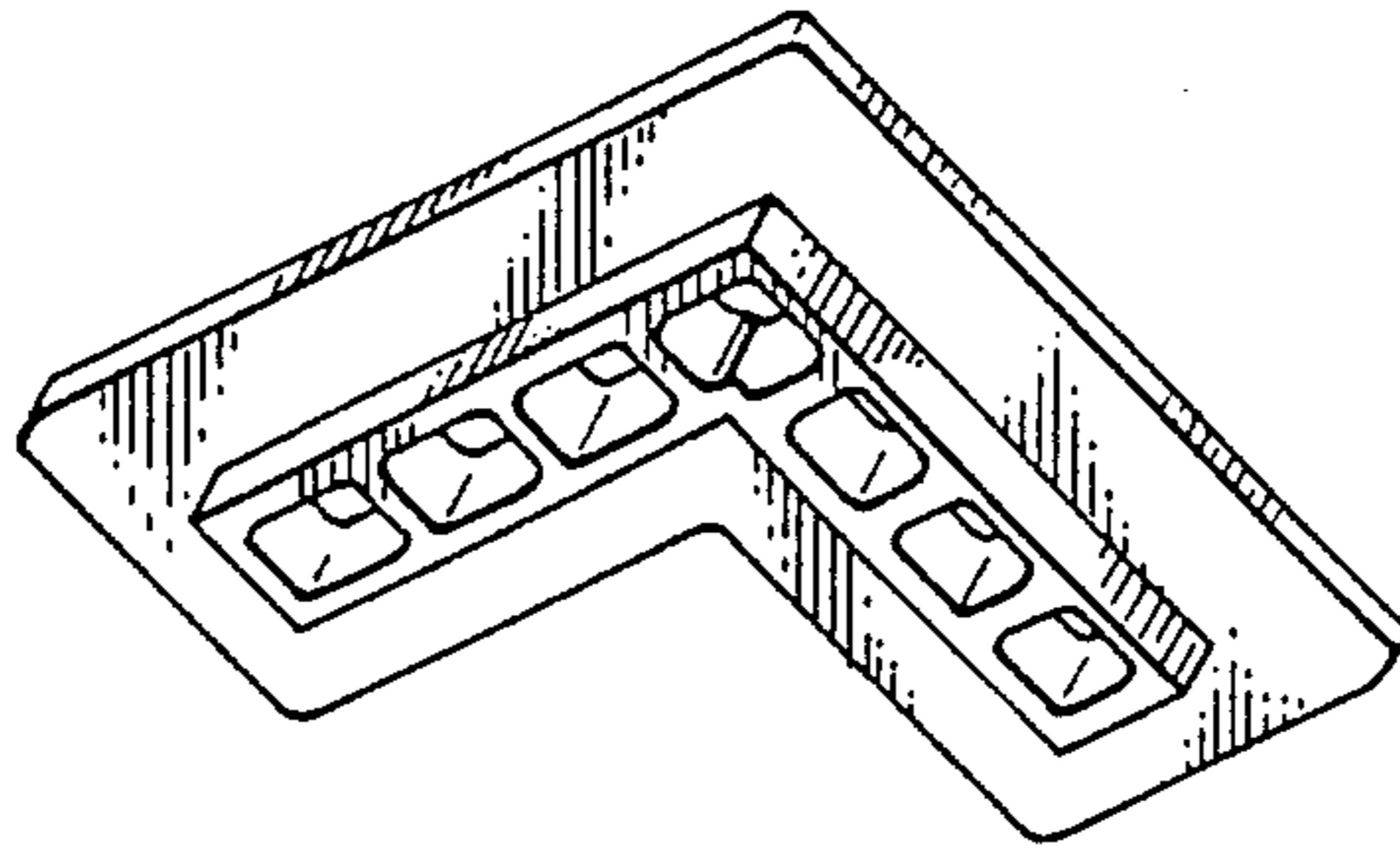


Fig. 1

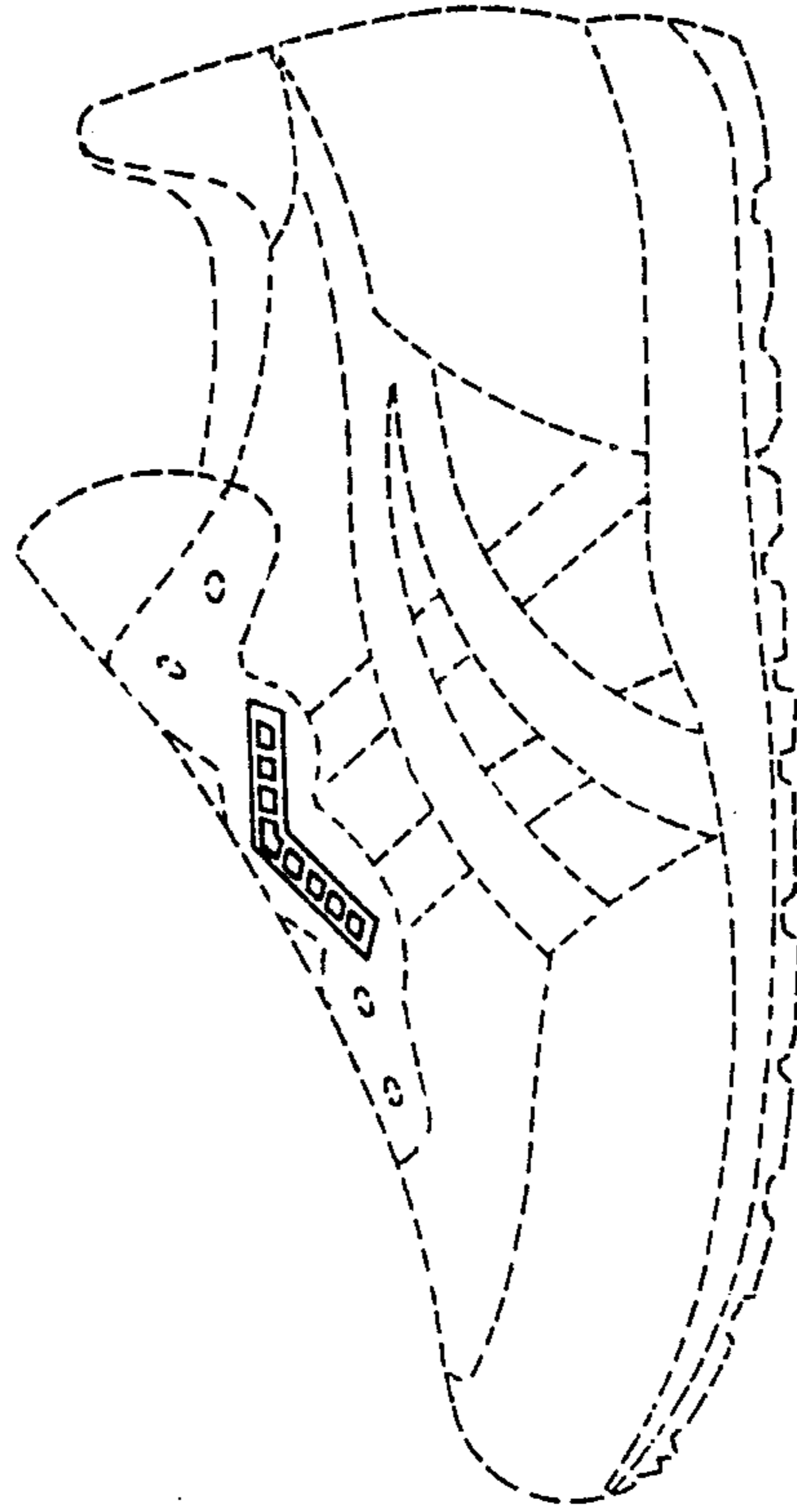


Fig. 3



Fig. 4 Fig. 5 Fig. 6 Fig. 7

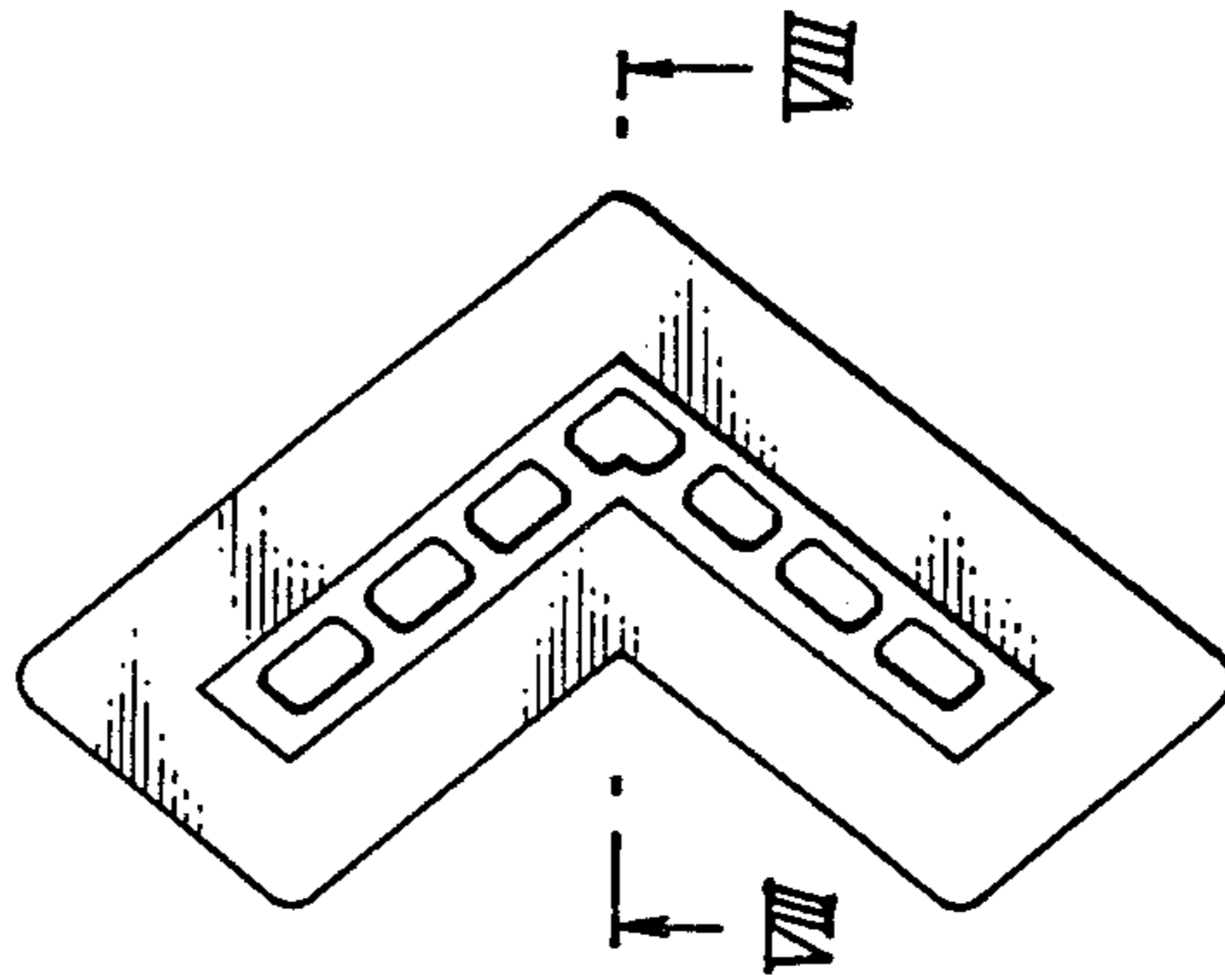
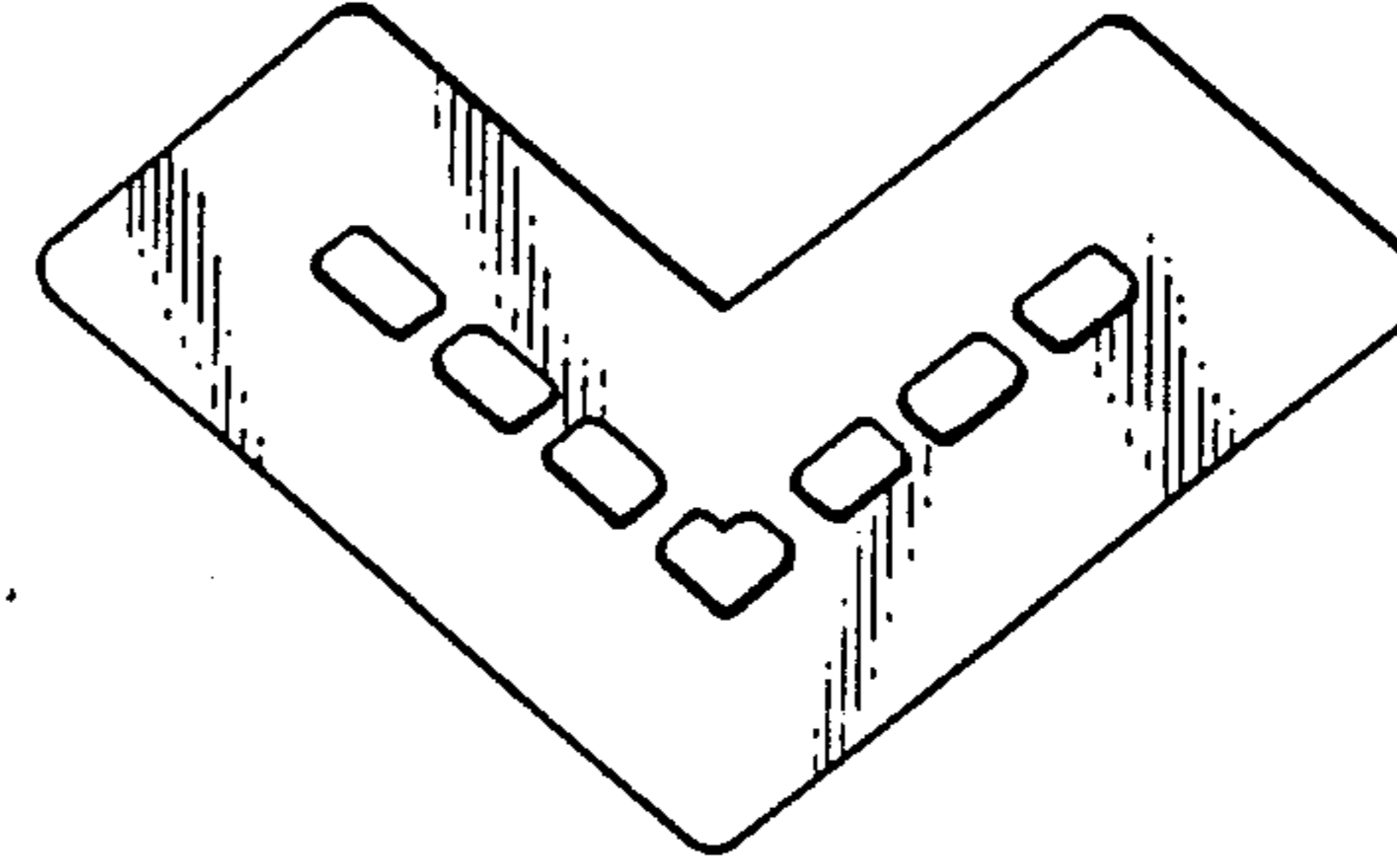


Fig. 8

