

[54] PAINT CAN HOLDER FOR LADDERS

[76] Inventor: Ordell R. Lund, 1915 E. 9th St., Duluth, Minn. 55812

[**] Term: 14 Years

[21] Appl. No.: 220,226

[22] Filed: Jul. 18, 1988

Related U.S. Application Data

[63] Continuation-in-part of Ser. No. 87,237, Aug. 19, 1987, Pat. No. Des. 306,507.

[52] U.S. Cl. D32/54; D32/53.1; D32/53; D8/373; D8/367

[58] Field of Search 248/210, 211; D8/373, D8/367; D32/52, 54

[56] References Cited

U.S. PATENT DOCUMENTS

D. 306,507	3/1990	Lund	D8/373 X
1,593,043	7/1926	Stroecker	248/210
2,524,875	10/1950	Beaver	248/211
2,993,672	7/1961	Bower et al.	248/211
3,226,228	12/1940	Kundo	248/211
3,738,601	6/1973	Gehringer	248/210

4,433,822 2/1984 Caggiano 248/210

FOREIGN PATENT DOCUMENTS

633694 1/1962 Canada 248/211
733181 7/1955 United Kingdom 248/211

OTHER PUBLICATIONS

Popular Mechanics; Jul. 1947; p. 126; Painter's Ladder Hook.

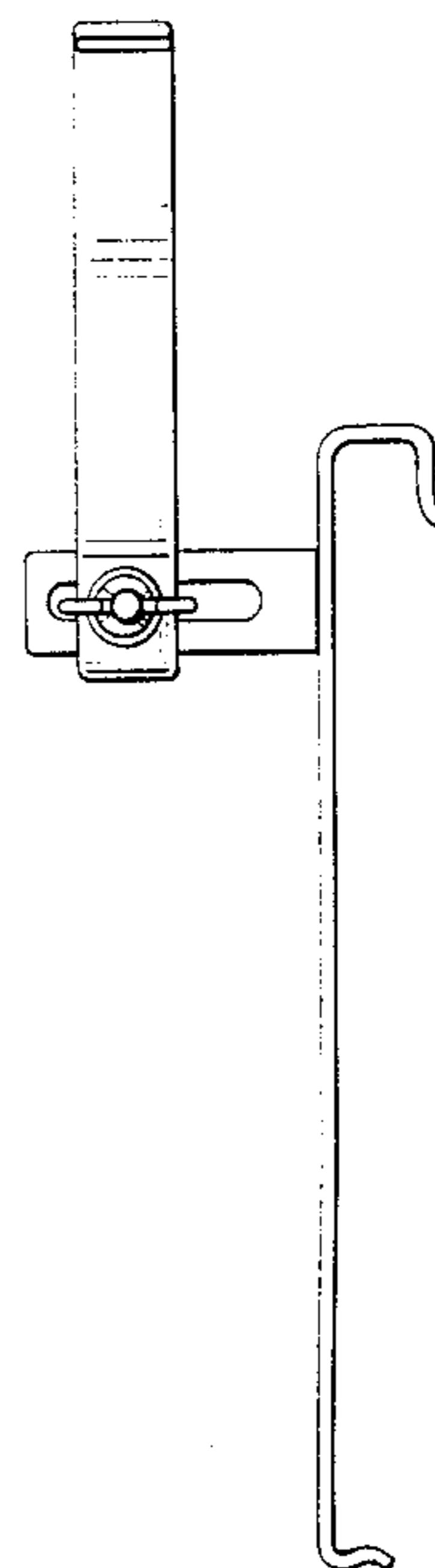
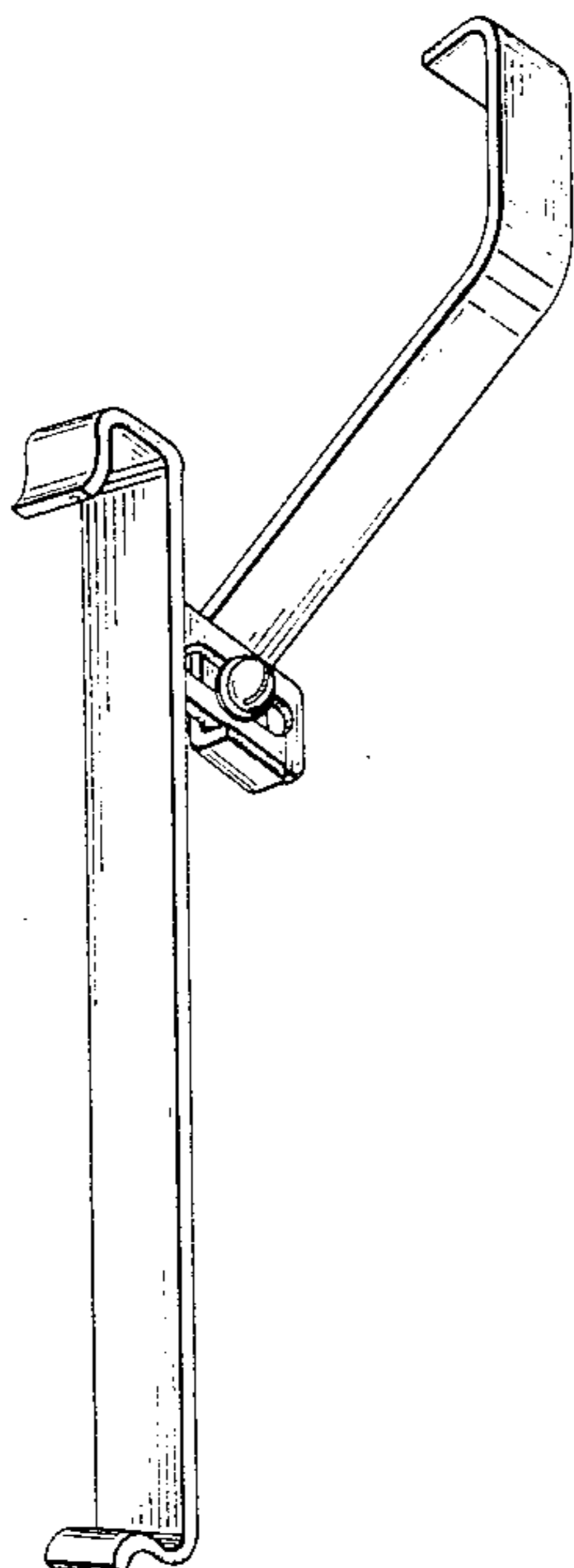
Primary Examiner—Horace B. Fay, Jr.
Attorney, Agent, or Firm—Peterson, Wicks, Nemer & Kamrath

[57] CLAIM

The ornamental design for a paint can holder for ladders, as shown.

DESCRIPTION

FIG. 1 is a right perspective view of a paint can holder for ladders embodying my new design;
FIG. 2 is a top plan thereof;
FIG. 3 is a bottom plan view thereof;
FIG. 4 is a right side elevation thereof;
FIG. 5 is a left side elevation thereof;
FIG. 6 is a front elevation thereof; and
FIG. 7 is a rear elevation thereof.



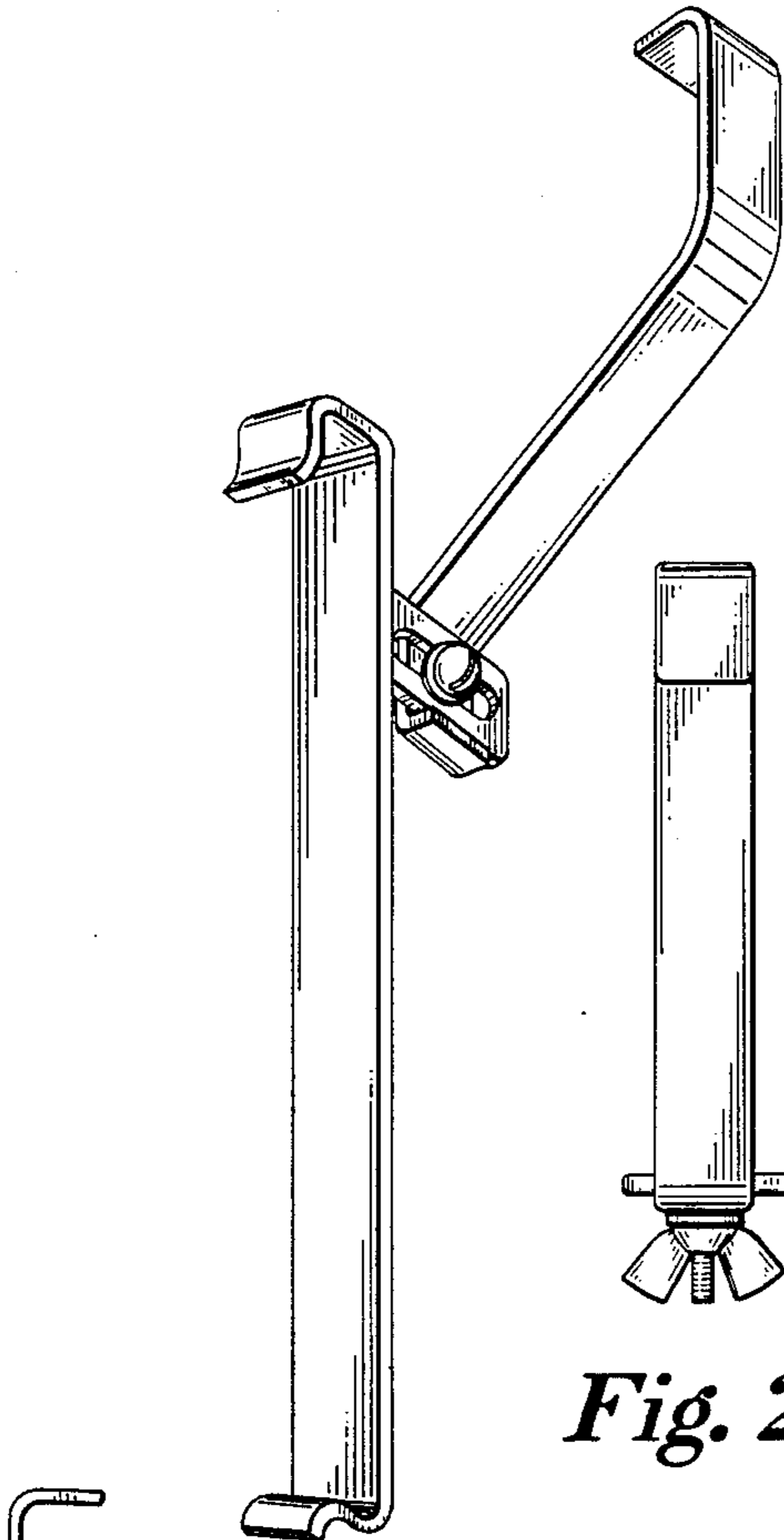


Fig. 1

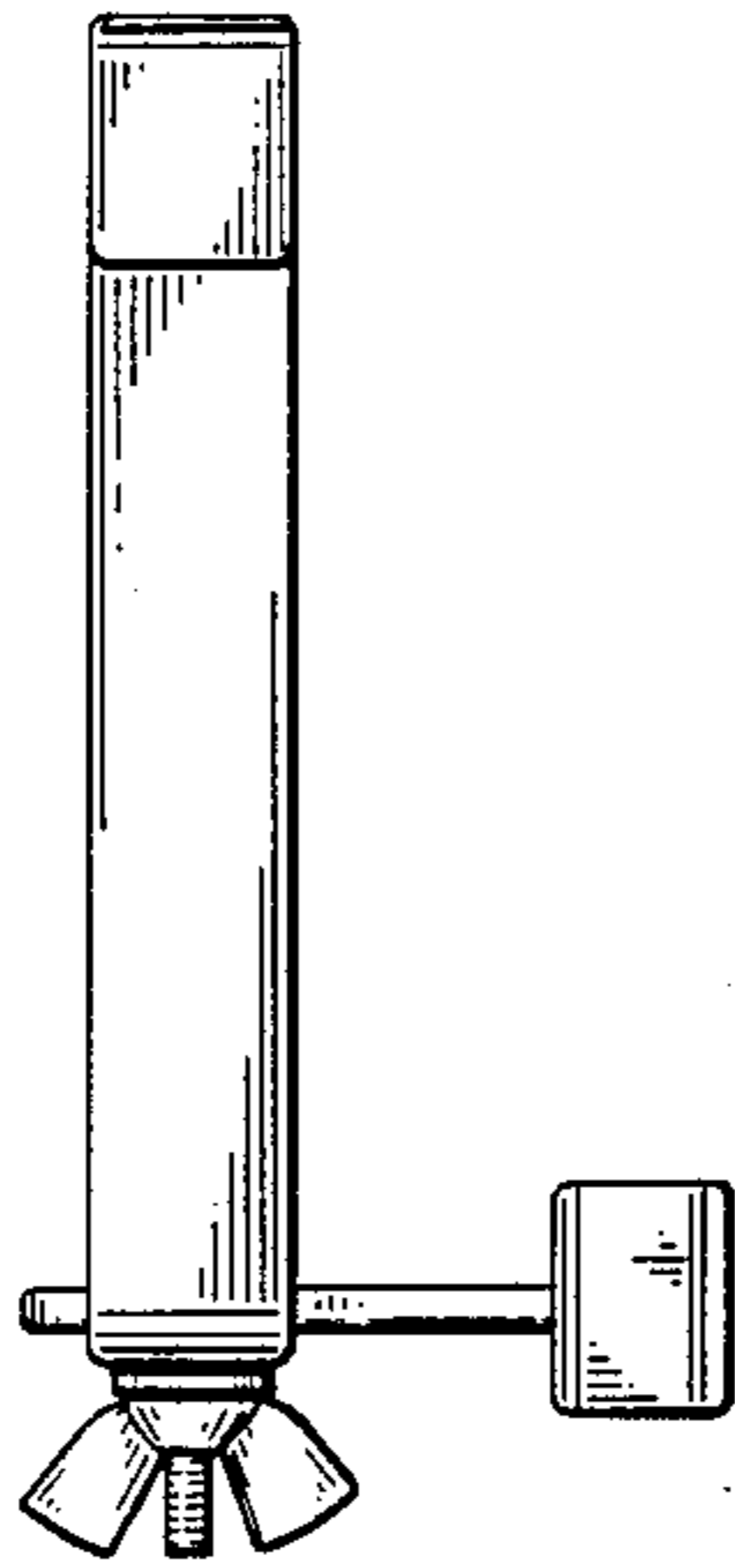


Fig. 2

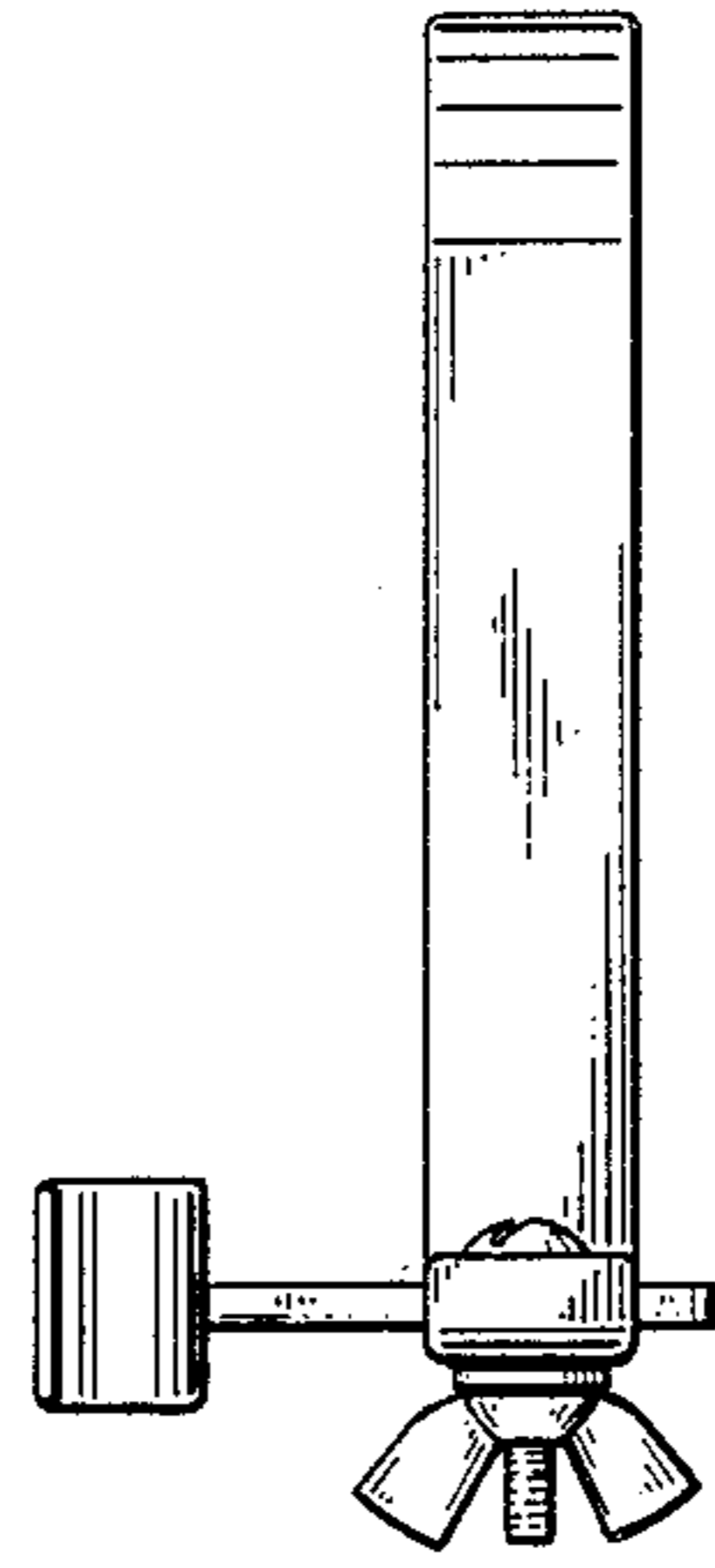


Fig. 3

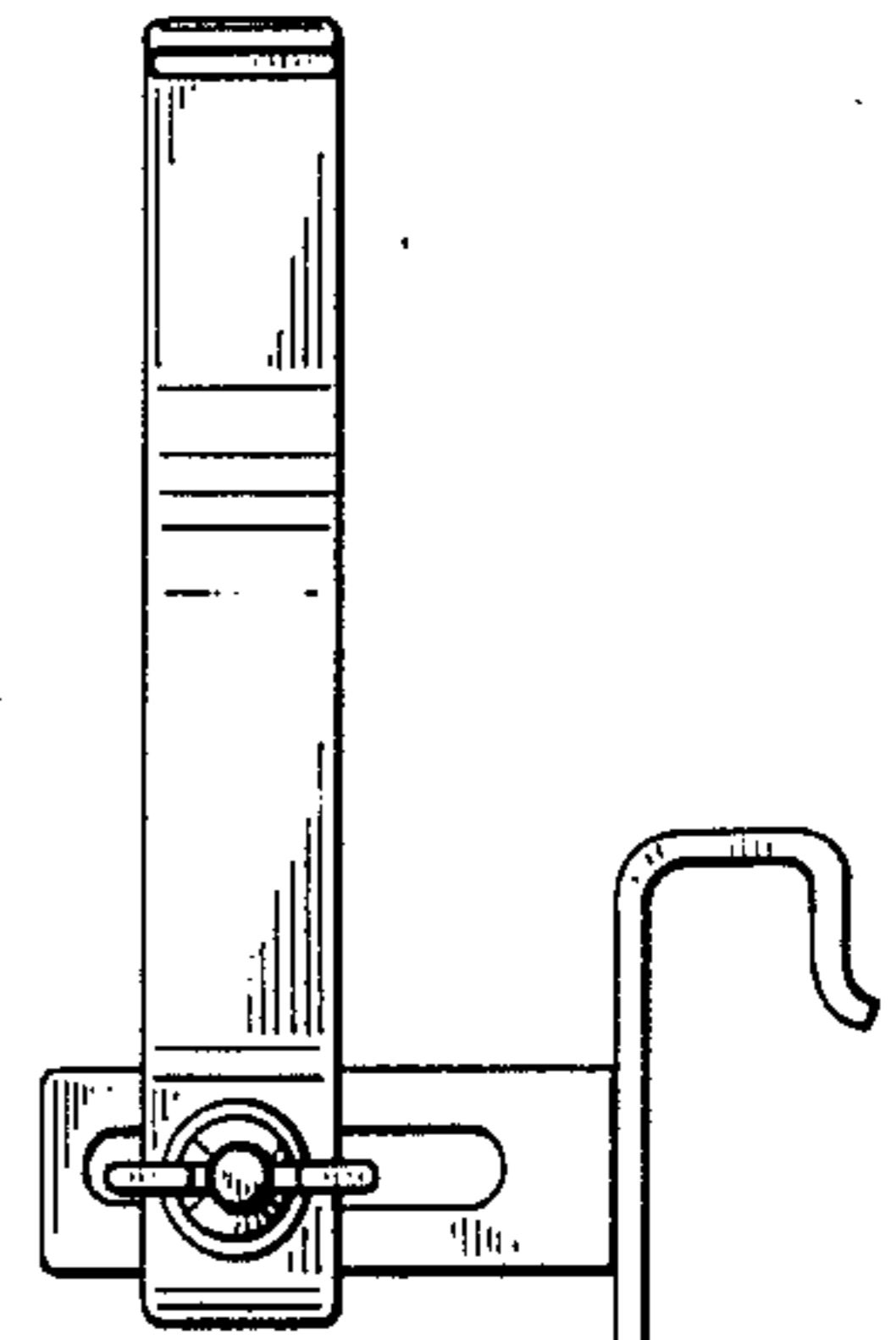


Fig. 6

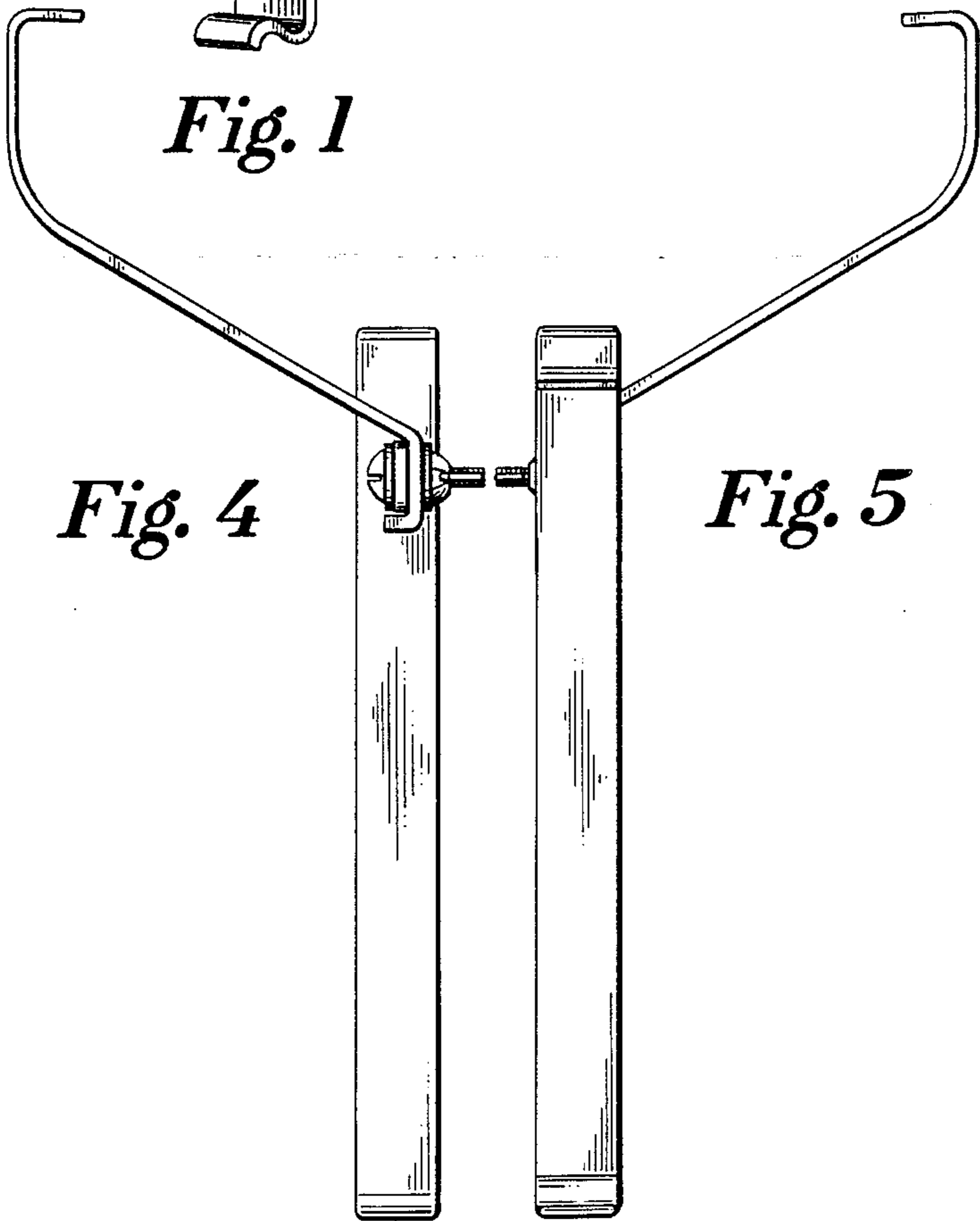


Fig. 4

Fig. 5

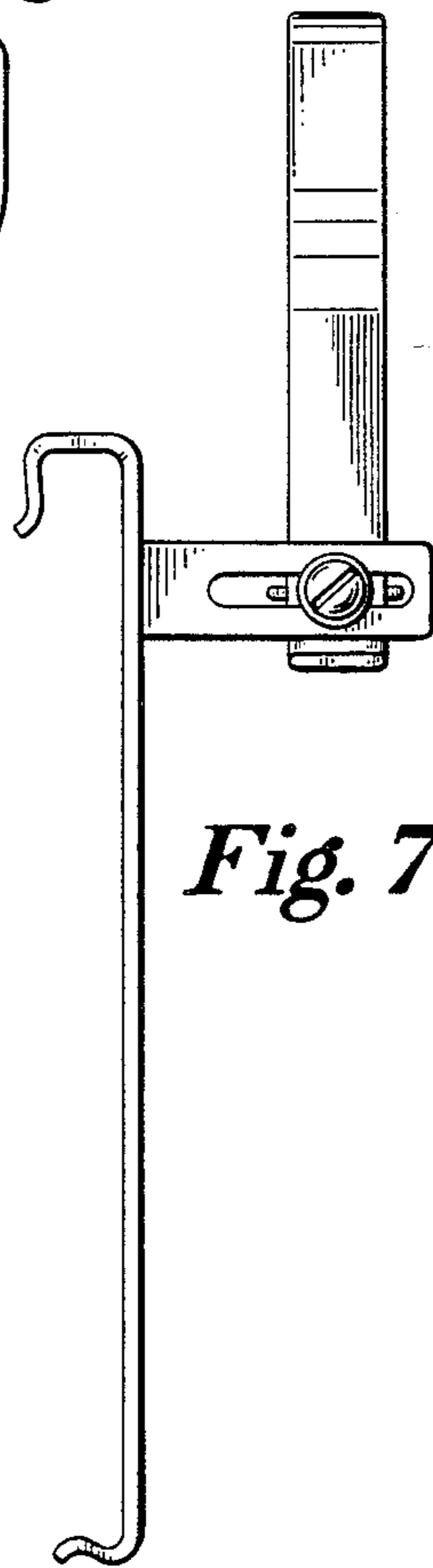


Fig. 7