

[54] **STORING AND DISPENSING CONTAINER FOR A CONNECTING CABLE-BLASTING CABLE**

[76] Inventor: **Robert K. Sjolander, 36 Cameo St., Oakville, Ont., Canada, L6J 5Y1**

[\*\*] Term: **14 Years**

[21] Appl. No.: **65,277**

[22] Filed: **Jun. 17, 1987**

[52] U.S. Cl. .... **32/53; D9/378; D3/30.1**

[58] Field of Search ..... **D32/53, 53.1; D3/30.1; D9/378-379, 428; D7/52; 220/324, 352-356, 94 R, 200, 1 R, 1 S, 66-70, 91, 306; 215/DIG. 1, 3; 206/389, 524.1-524.3, 525, 508, 407; 229/1.5 B, 4.5, 5.5; 242/137, 137.1, 138, 146, 170, 171**

[56] **References Cited**

**U.S. PATENT DOCUMENTS**

D. 219,265	11/1970	Churan	.....	D9/379	X
D. 220,316	3/1971	Bardell	.....	D9/379	
D. 232,152	7/1974	Roper	.....	D32/53	
D. 266,398	10/1982	Haag, Jr.	.....	D9/370	
2,337,869	12/1943	Chapman	.....	220/66	X
3,516,571	6/1970	Roper et al.	.....	220/70	X
3,767,087	10/1973	Shannon	.....	D7/52	X
3,777,968	12/1973	Law	.....	229/1.5	B

3,840,152	10/1974	Hodge	.....	220/306	X
3,889,732	6/1975	Wilkins	.....	220/94	A
4,387,828	6/1983	Yates, Jr.	.....	220/306	X
4,512,394	4/1985	Van Holdt	.....	220/306	X
4,591,110	5/1986	Wirts et al.	.....	206/389	

**FOREIGN PATENT DOCUMENTS**

304374	1/1955	Switzerland	.....	220/322	
722573	1/1955	United Kingdom	.....	220/91	
832359	4/1960	United Kingdom	.....	220/91	

*Primary Examiner*—Bernard Ansher

*Assistant Examiner*—C. Tuttle

[57] **CLAIM**

The ornamental design for storing and dispensing container for a connecting cable-blasting cable storing container, substantially as shown and described.

**DESCRIPTION**

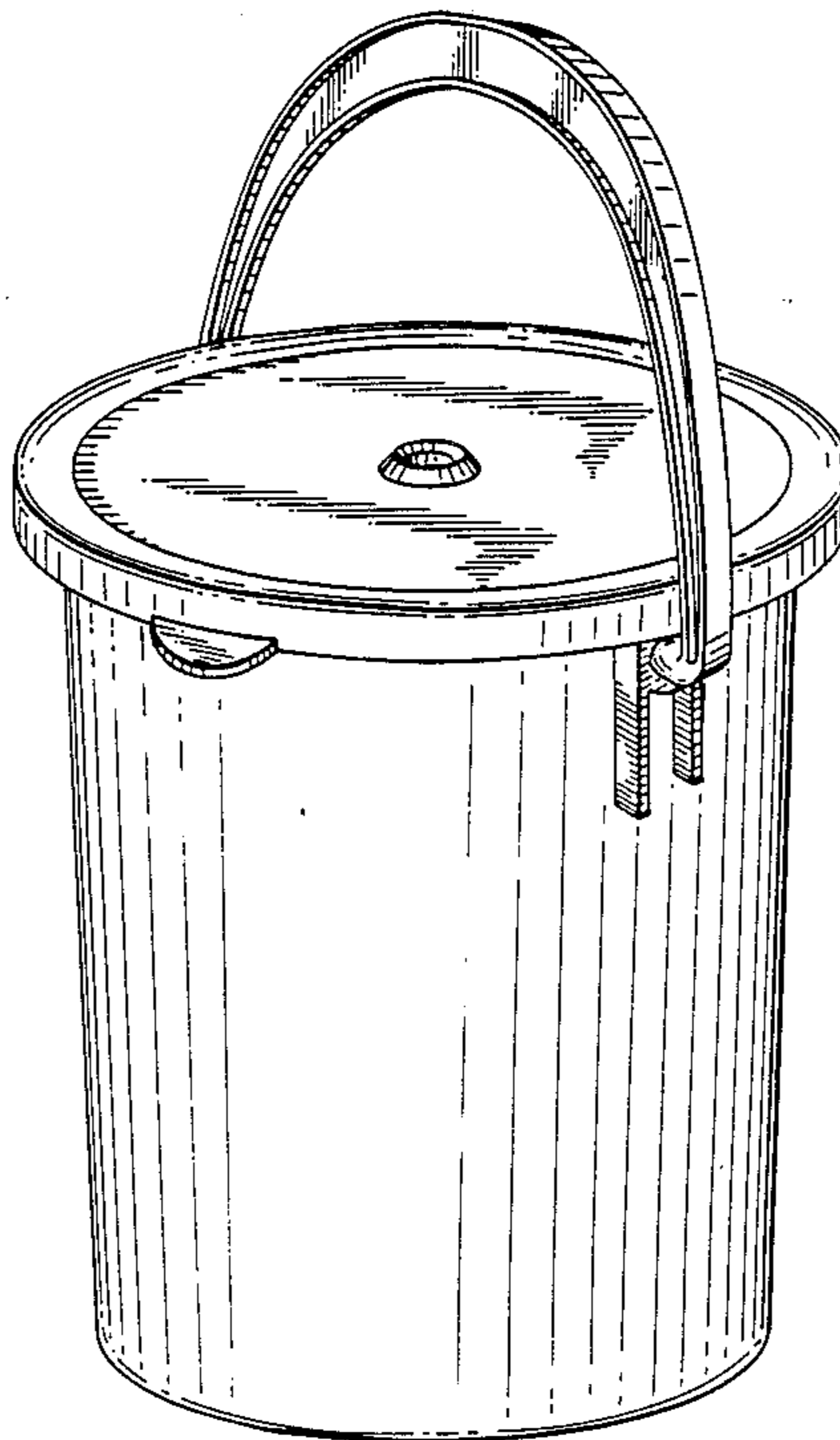
FIG. 1 is a front elevational view of a storing and dispensing container for a connecting cable-blasting cable showing my new design. The rear elevational view is a mirror image of the side shown;

FIG. 2 is a top plan view thereof, with the handle portion shown partially broken away for clarity of illustration;

FIG. 3 is a bottom plan thereof;

FIG. 4 is a fragmentary sectional view taken on the line 4-4 of FIG. 2; and

FIG. 5 is a top perspective view thereof.



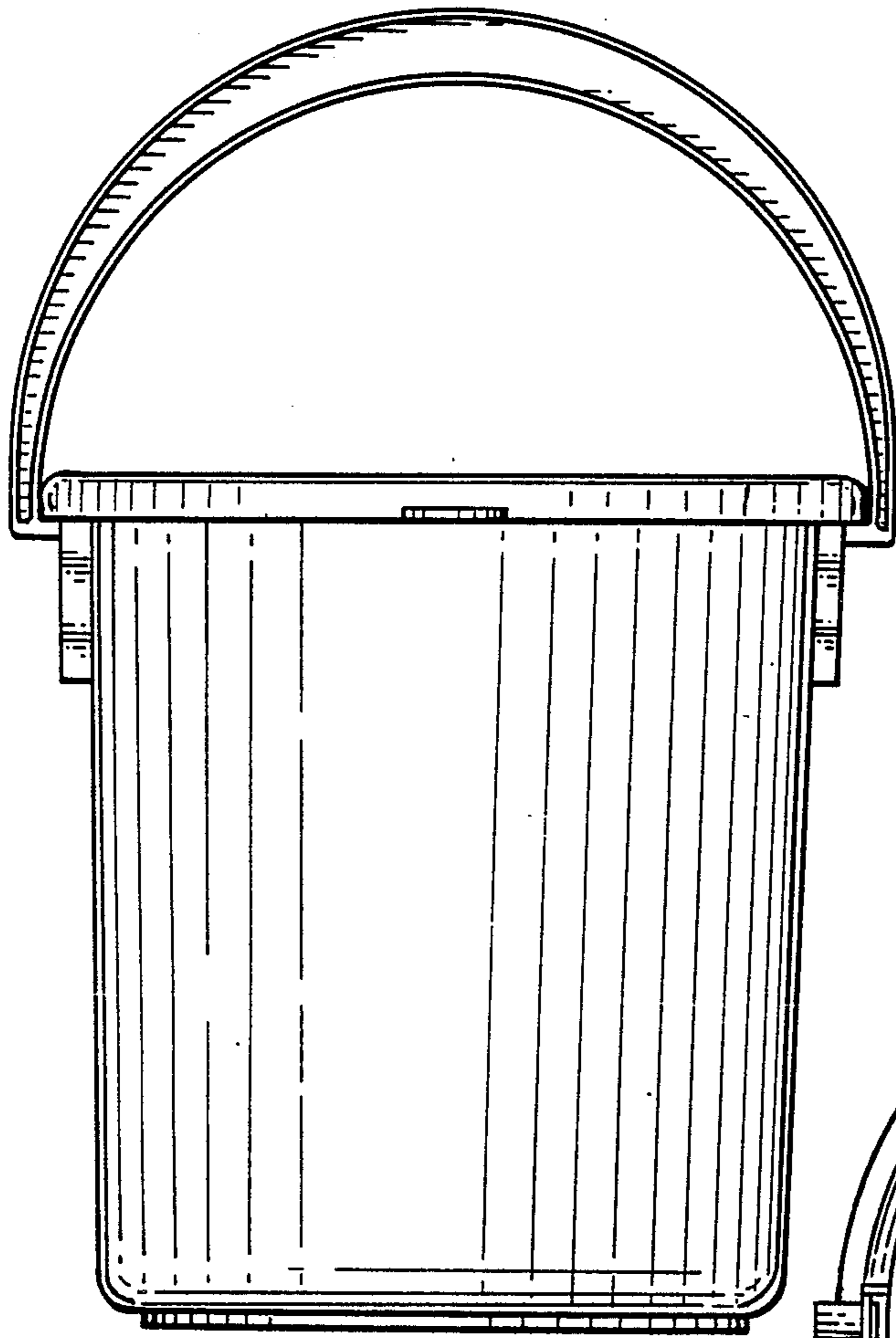


FIG. 1

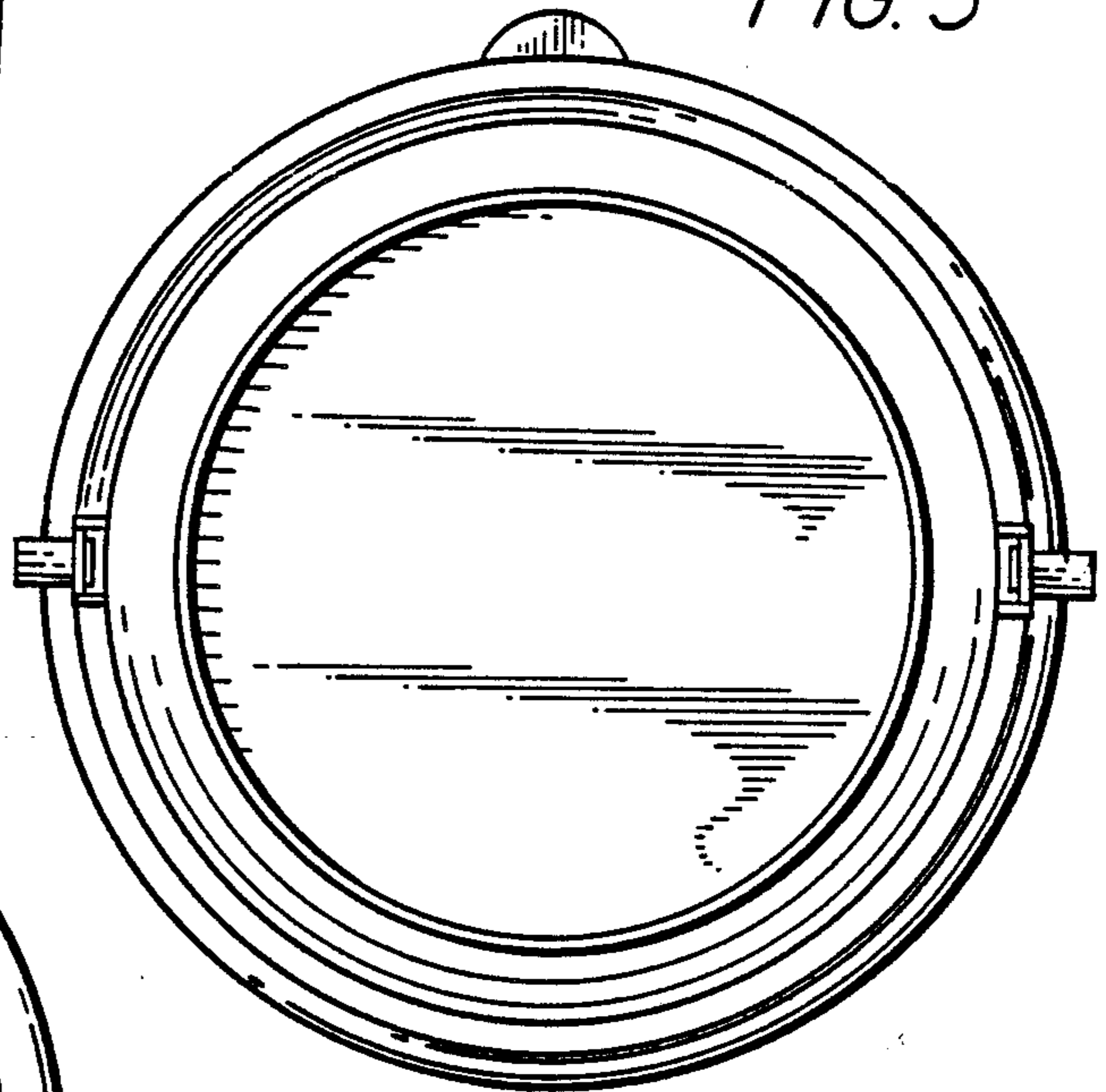


FIG. 3

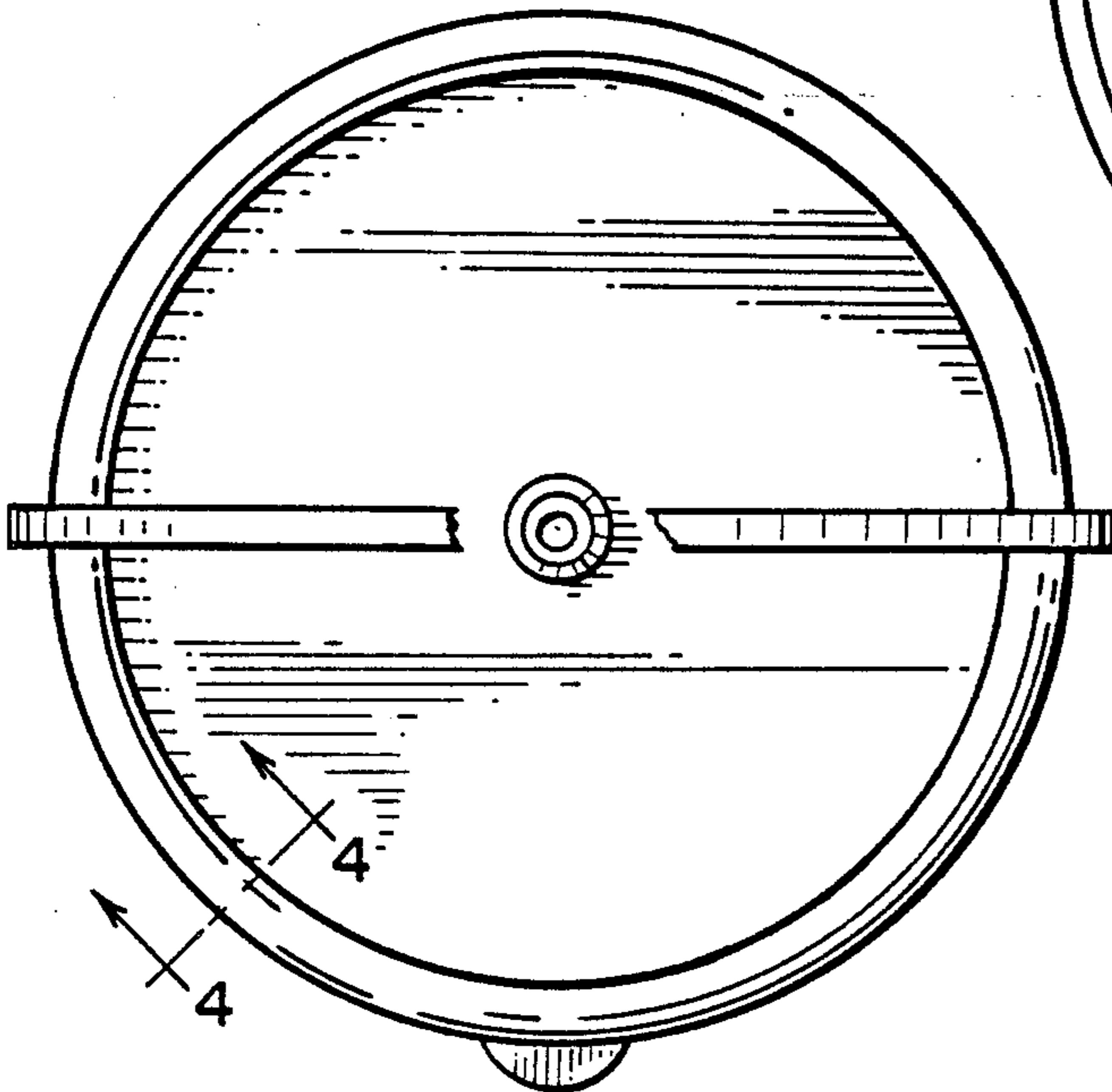


FIG. 2

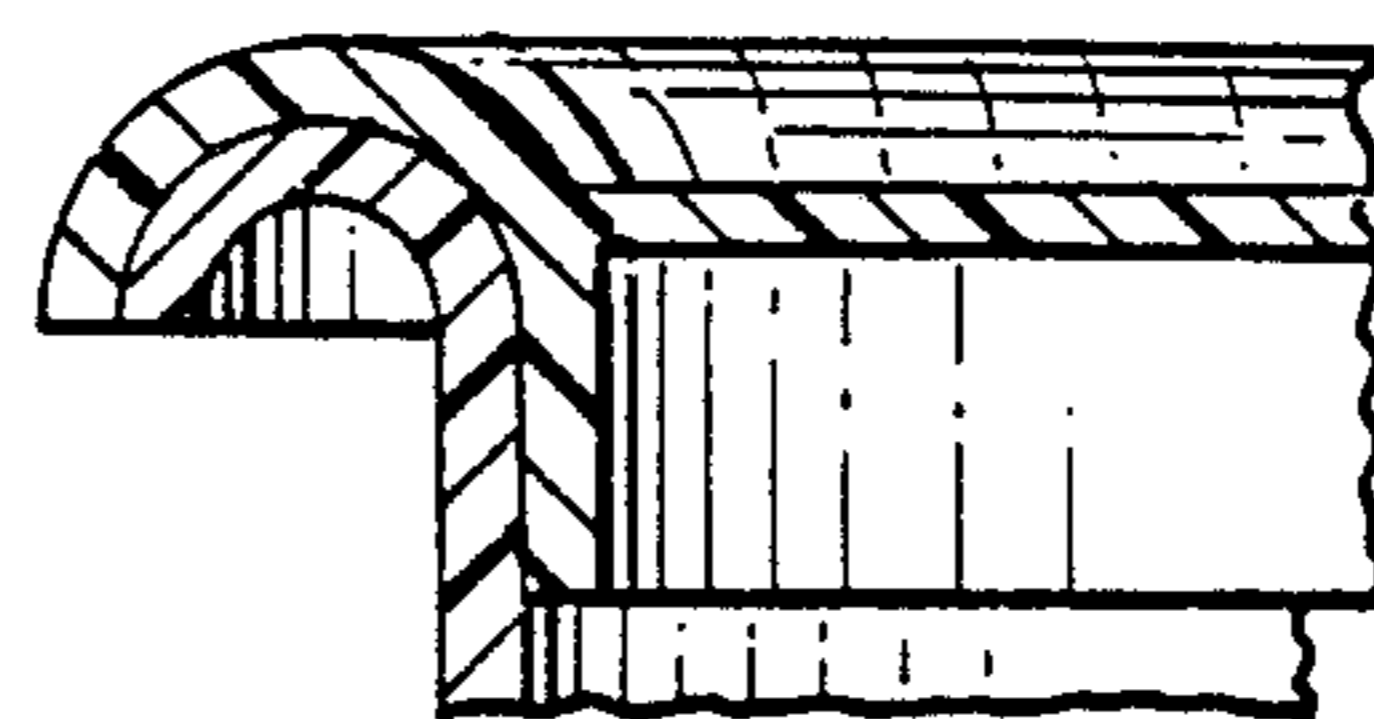


FIG. 4

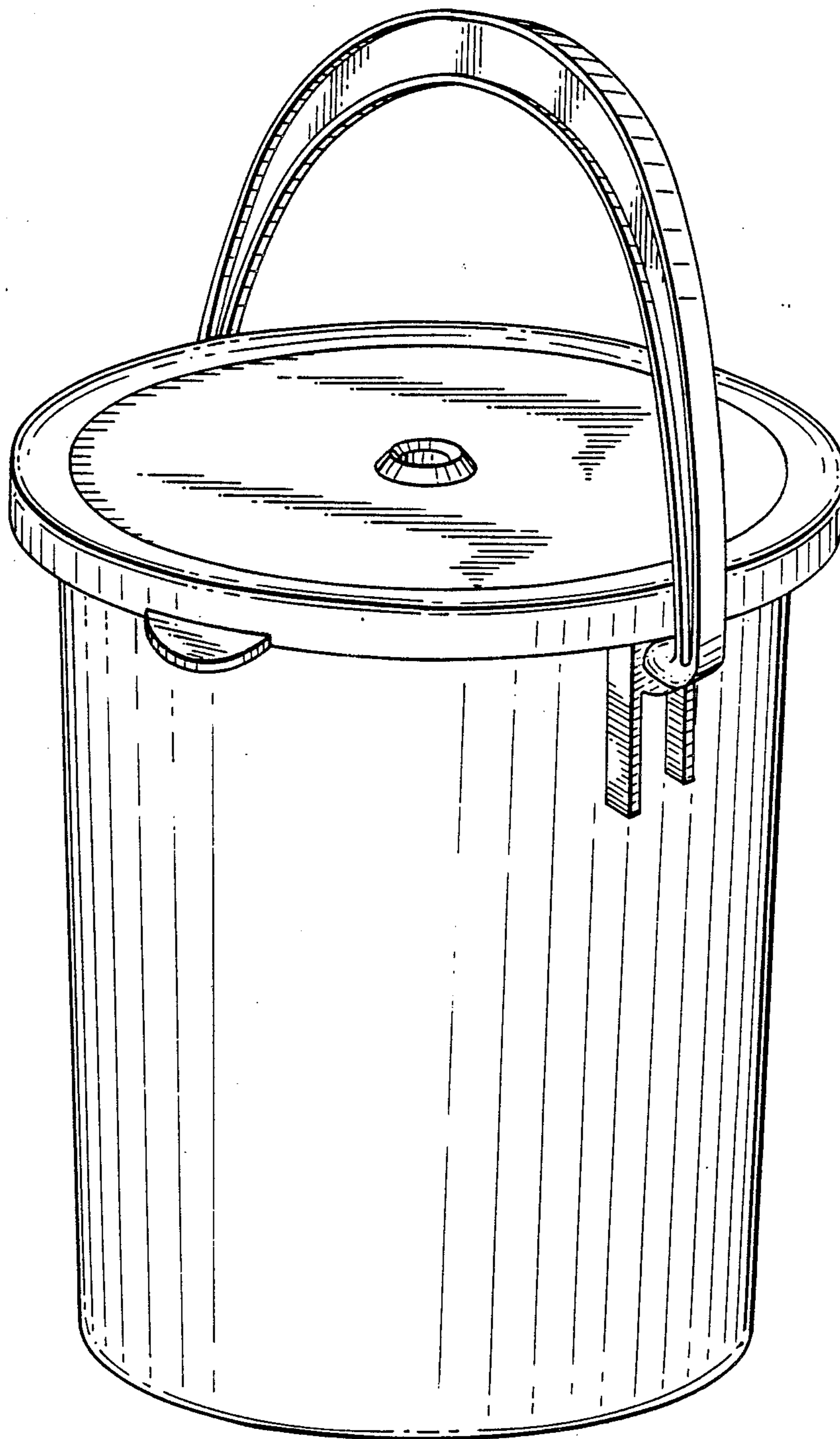


FIG. 5