

United States Patent [19]

Kwong

[11] **Patent Number: Des. 312,153**

[45] **Date of Patent: ** Nov. 13, 1990**

[54] **VACUUM CLEANER**

[75] **Inventor: Wong W. Kwong, Kowloon, Hong Kong**

[73] **Assignee: Deep Power Ltd., Kowloon, Hong Kong**

[**] **Term: 14 Years**

[21] **Appl. No.: 281,505**

[22] **Filed: Dec. 8, 1988**

[30] **Foreign Application Priority Data**

Jun. 9, 1988 [GB] United Kingdom 1051346

[52] **U.S. Cl. D32/18**

[58] **Field of Search D32/17-18;
15/344, 329**

[56] **References Cited**

U.S. PATENT DOCUMENTS

D. 257,661 12/1980 Gantz D32/18

D. 274,382 6/1984 Cousins et al. D32/18

D. 287,657 1/1987 Yuen D32/18

D. 301,783 6/1989 Adams D32/18

D. 303,025 8/1989 Yamamoto et al. D32/18

Primary Examiner—A. Hugo Word

Assistant Examiner—Ruth McInroy

Attorney, Agent, or Firm—Burns, Doane, Swecker & Mathis

[57] **CLAIM**

The ornamental design for a vacuum cleaner, as shown and described.

DESCRIPTION

FIG. 1 is a front elevational view of a vacuum cleaner showing my new design;

FIG. 2 is a rear elevational view thereof;

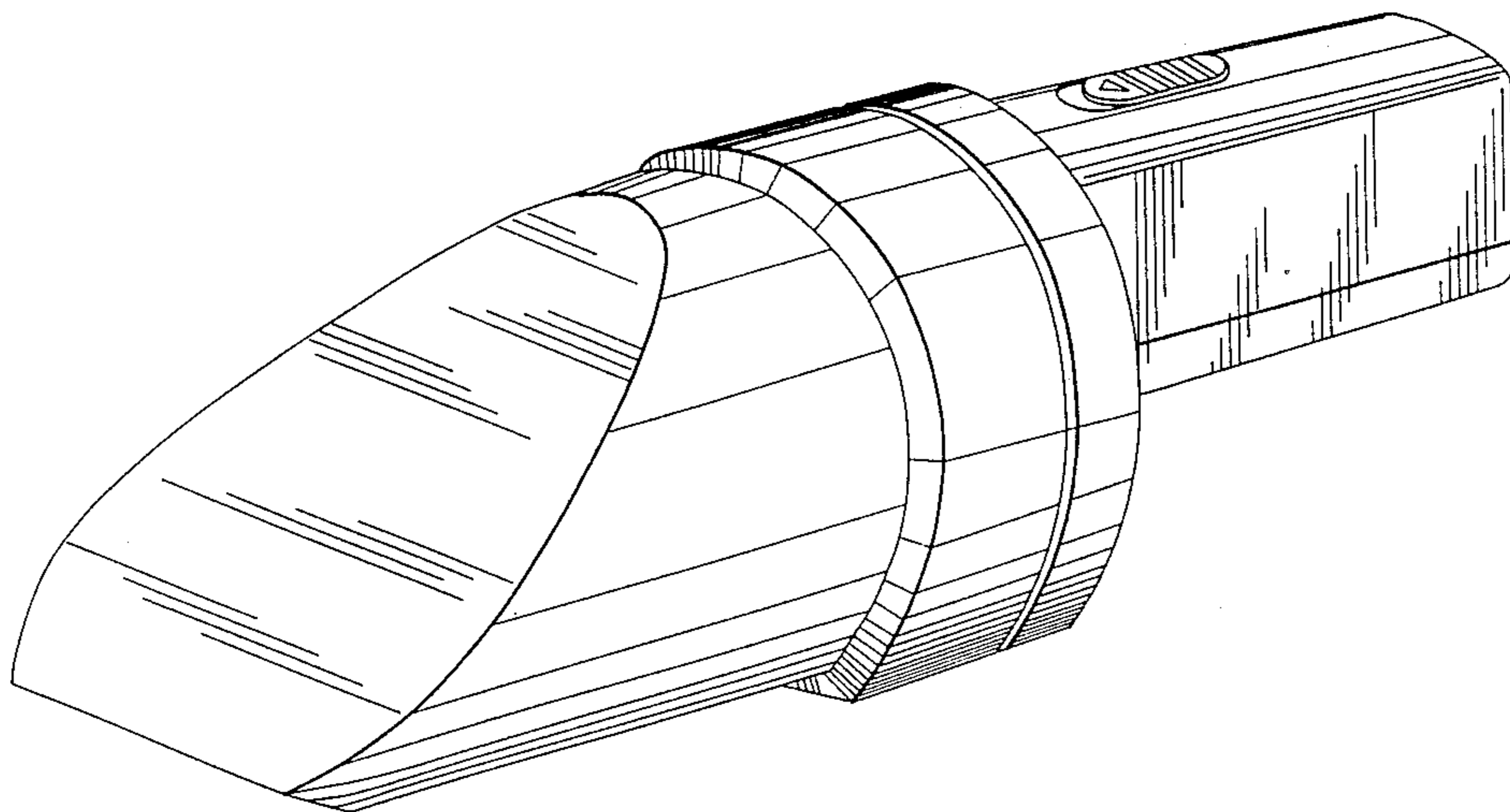
FIG. 3 is a left side elevational view thereof;

FIG. 4 is a right side elevational view thereof;

FIG. 5 is a top plan view thereof;

FIG. 6 is a bottom plan view thereof; and

FIG. 7 is a perspective view thereof.



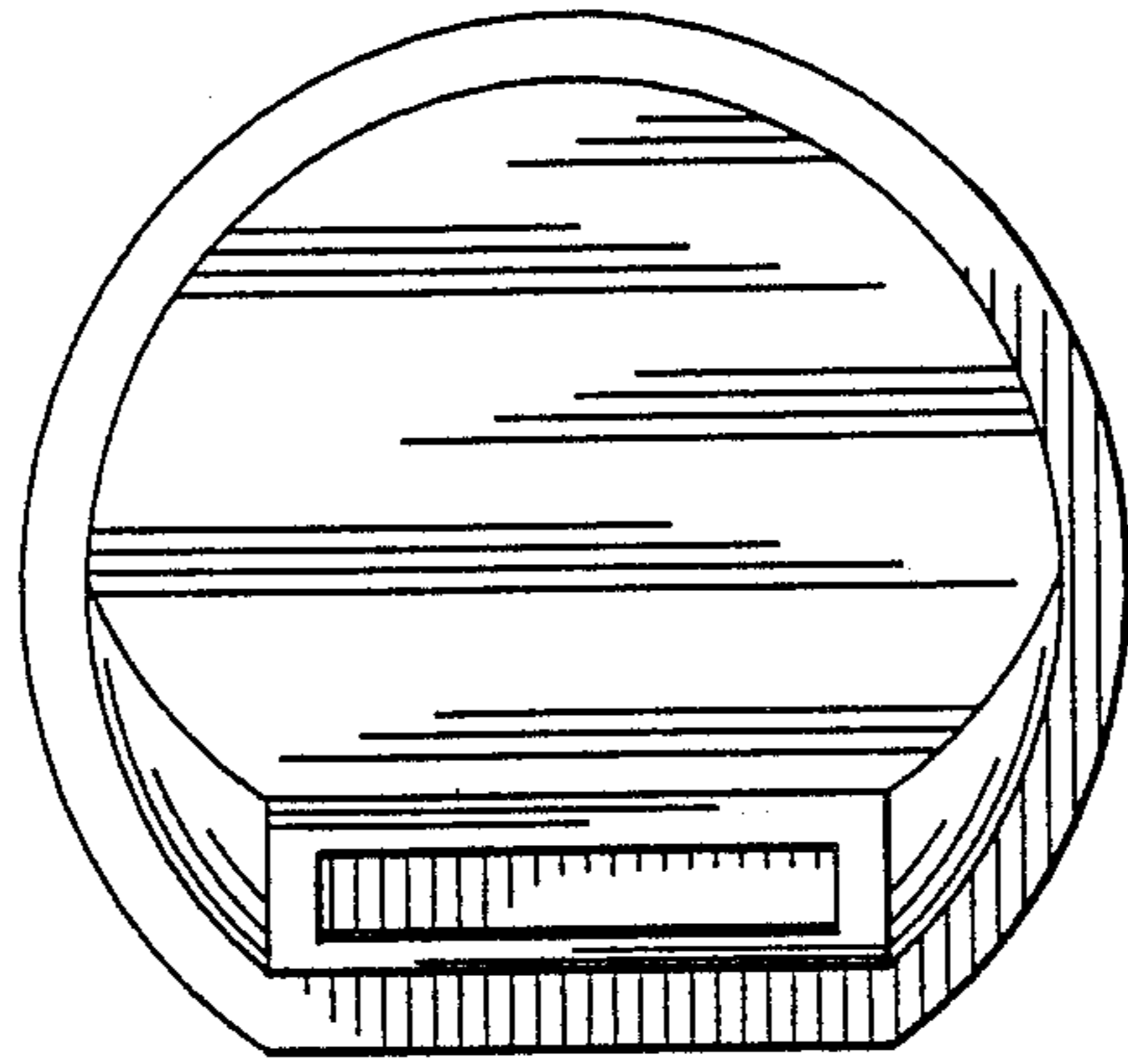


FIG. 1

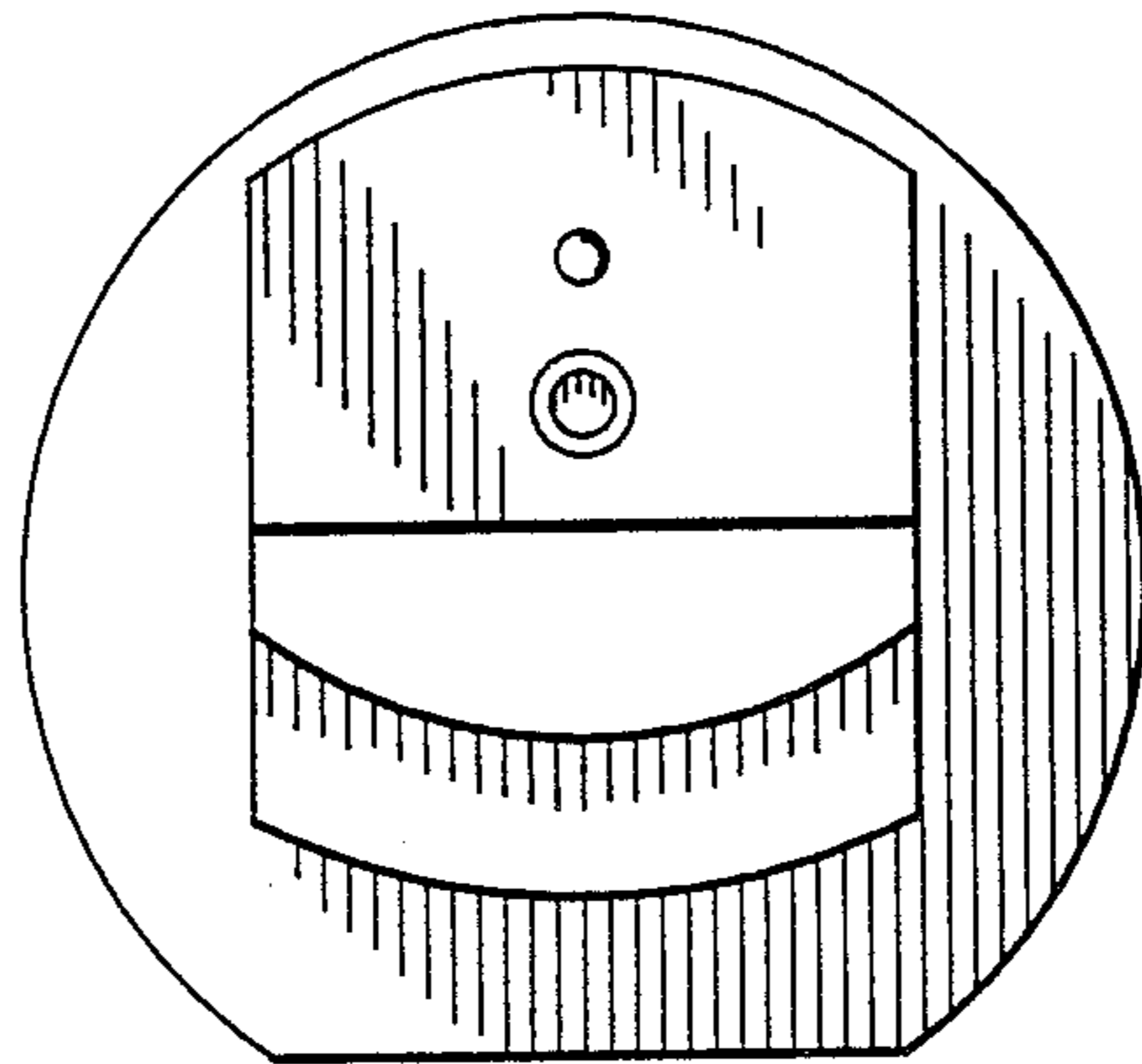


FIG. 2

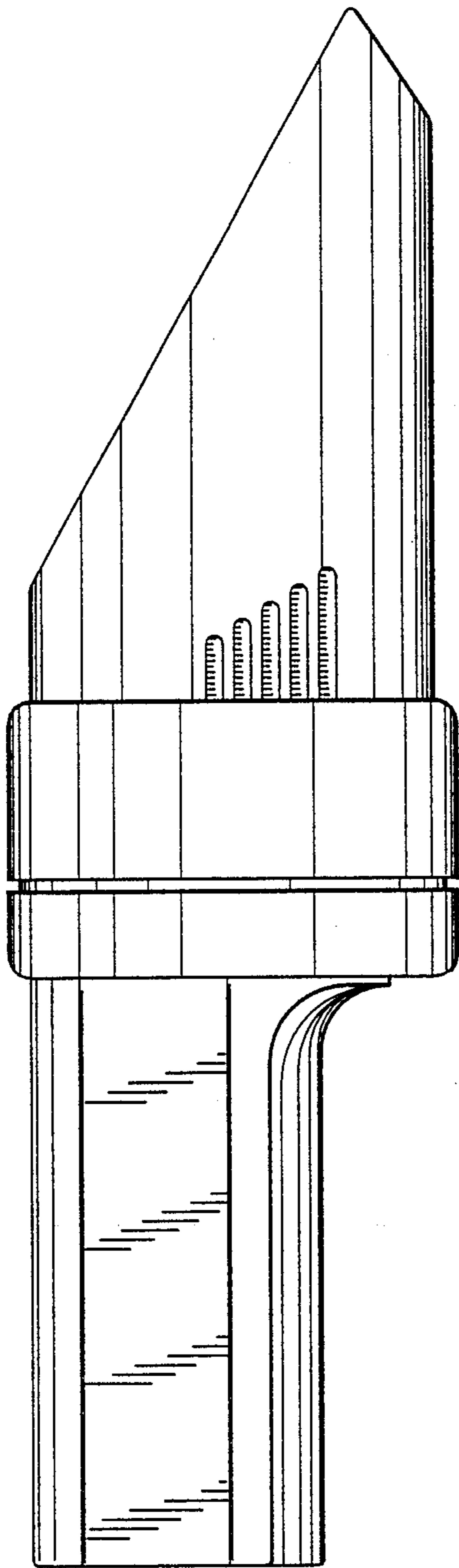


FIG. 3

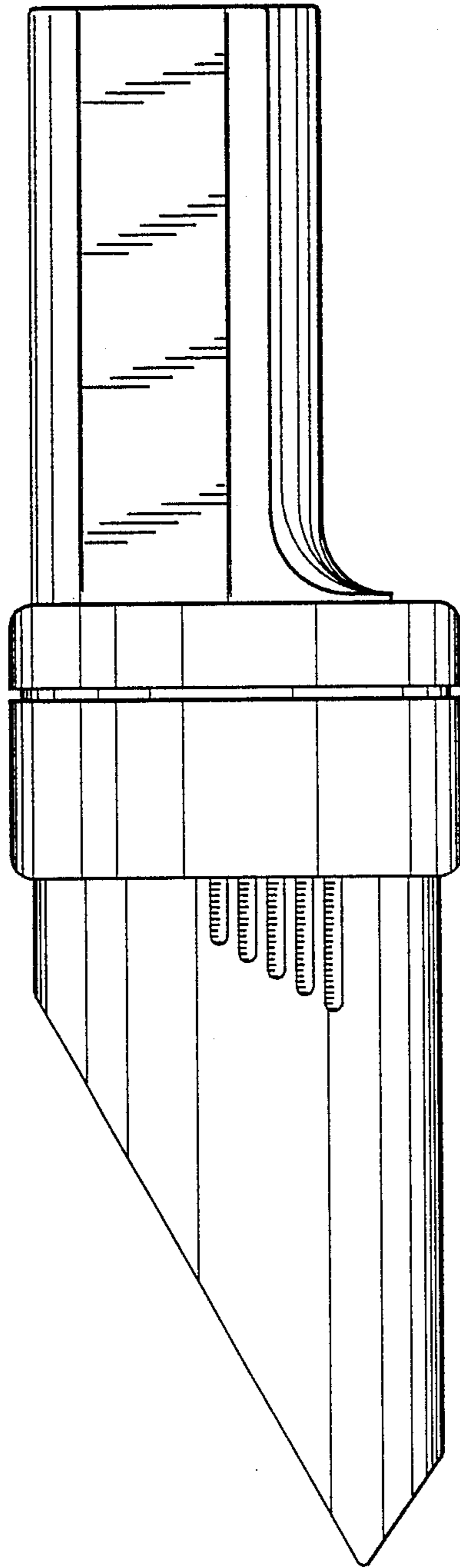


FIG. 4

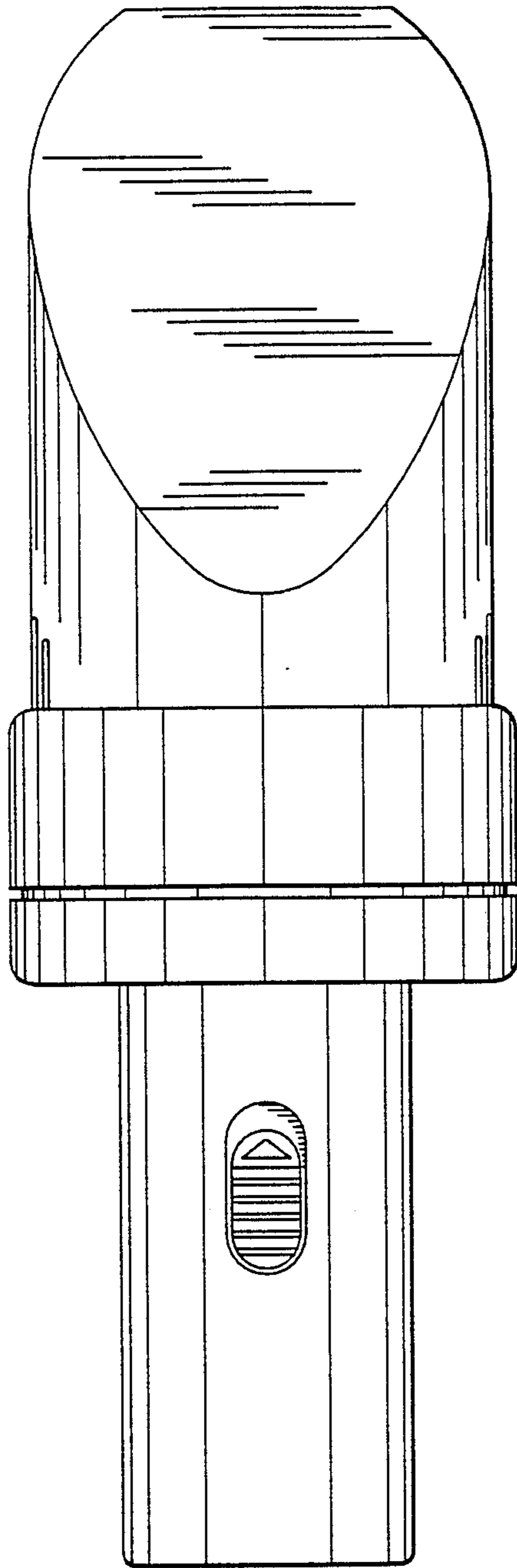


FIG. 5

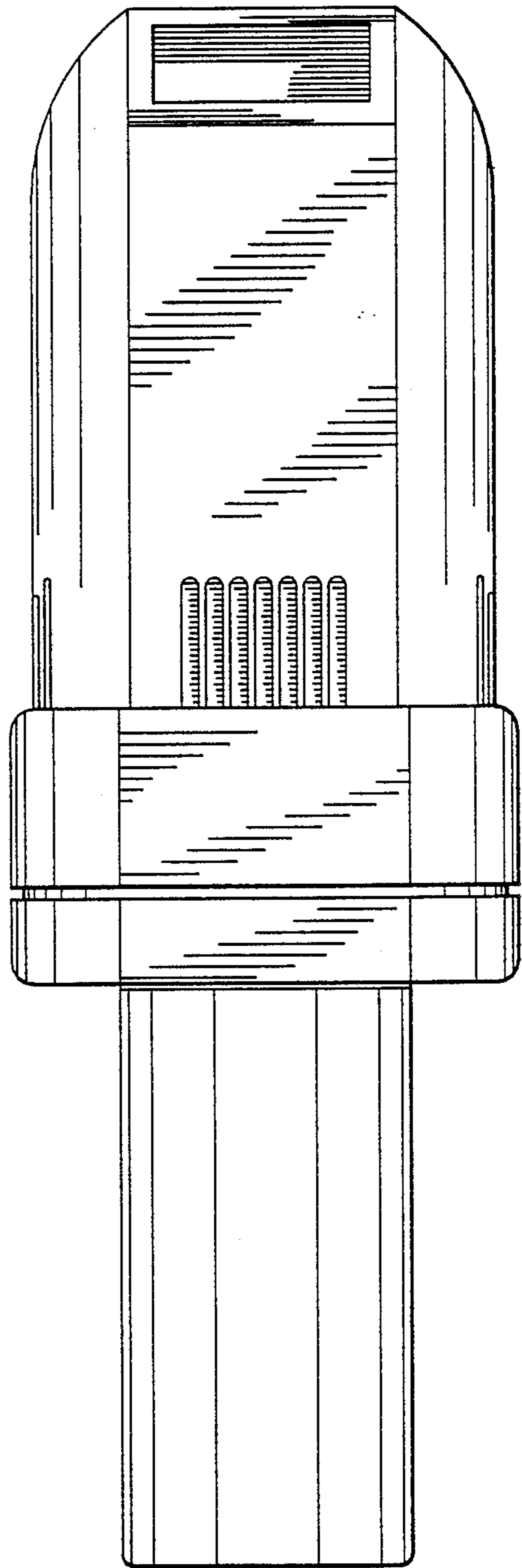


FIG. 6

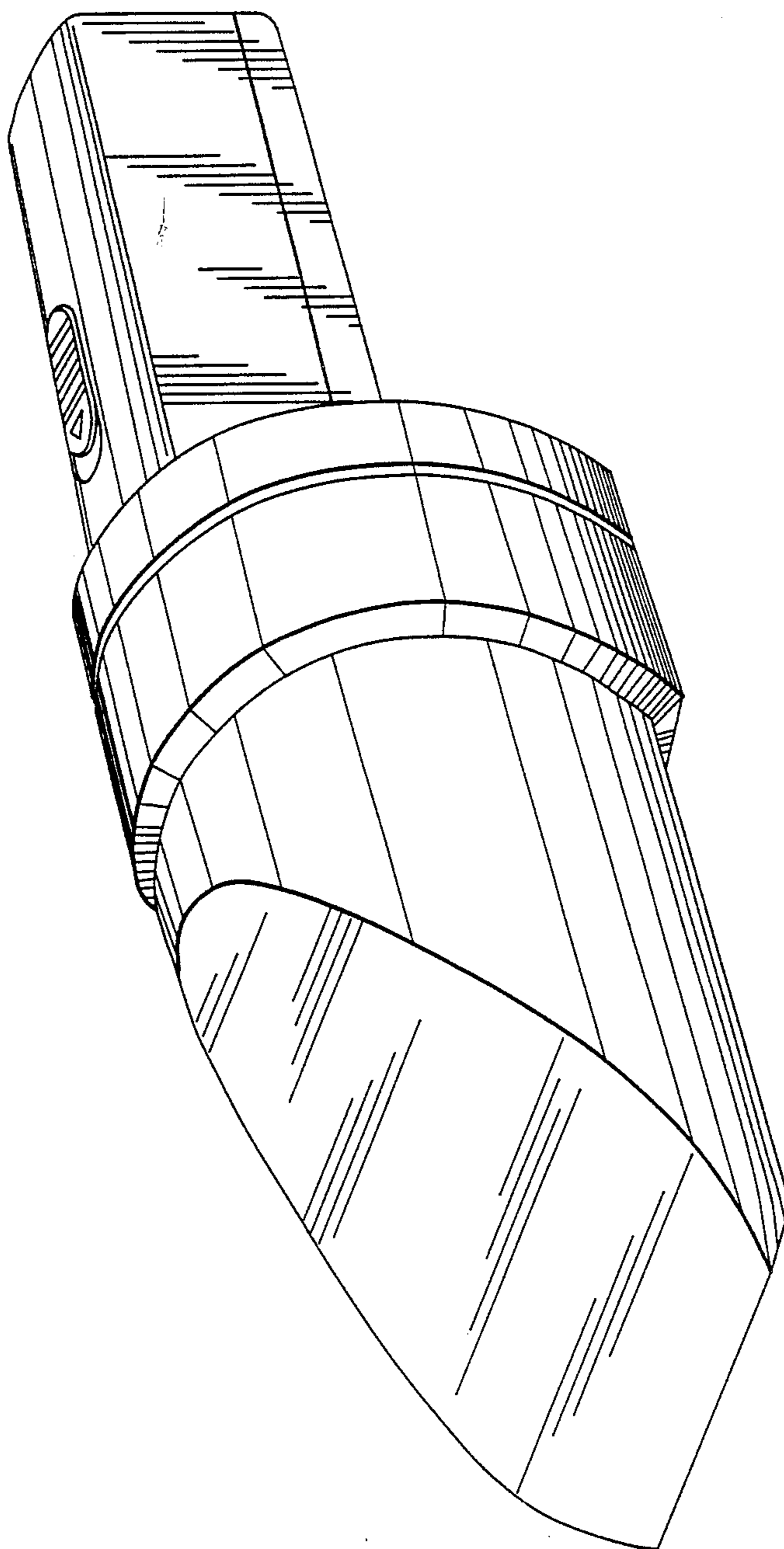


FIG. 7