

[54] SANITATION SHIELD FOR NESTING BIRDS

[75] Inventor: Carmine Gallicchio, 426 Willow Ave., Roselle Park, N.J. 07204

[73] Assignee: Carmine Gallicchio, Roselle Park, N.J.

[\*\*] Term: 14 Years

[21] Appl. No.: 37,447

[22] Filed: Apr. 13, 1987

[52] U.S. Cl. .... D30/199

[58] Field of Search ..... 248/309.1; 119/18, 46, 119/50.5, 51.03, 61; D30/199, 133; D8/349, 353

[56] References Cited

U.S. PATENT DOCUMENTS

D. 216,989	3/1970	Robert	.....	D30/133
2,181,495	11/1939	Novack	.....	119/18
2,275,914	3/1942	Lorenz	.....	119/18
2,633,100	3/1953	Auberbach	.....	119/18
3,175,536	3/1965	Hilaire	.....	119/51.03
3,185,133	5/1965	Bird	.....	119/18
3,331,915	7/1967	Lucci	.....	248/309.1

3,500,795	3/1970	Towlerton	.....	119/51.03
3,695,568	10/1972	Hogrebe	.....	248/309.1
3,822,050	7/1974	Schorr	.....	248/309.1
3,997,091	12/1976	Burnette	.....	248/309.1

FOREIGN PATENT DOCUMENTS

383063	12/1964	Switzerland	.....	119/51.03
--------	---------	-------------	-------	-----------

Primary Examiner—James R. Largen  
Assistant Examiner—Cathy Anne MacCormac

[57] CLAIM

The ornamental design for a sanitation shield for nesting birds, as shown and described.

DESCRIPTION

FIG. 1 is a front perspective view of a sanitation shield for nesting birds showing my new design; FIG. 2 is a rear elevational view thereof; FIG. 3 is a top plan view thereof; FIG. 4 is a right end elevational view thereof, the left end being a mirror image of the right end shown; and FIG. 5 is a front elevational view thereof. The broken line showing of a nest in FIG. 1 is for illustrative purposes only and forms no part of the claimed design.

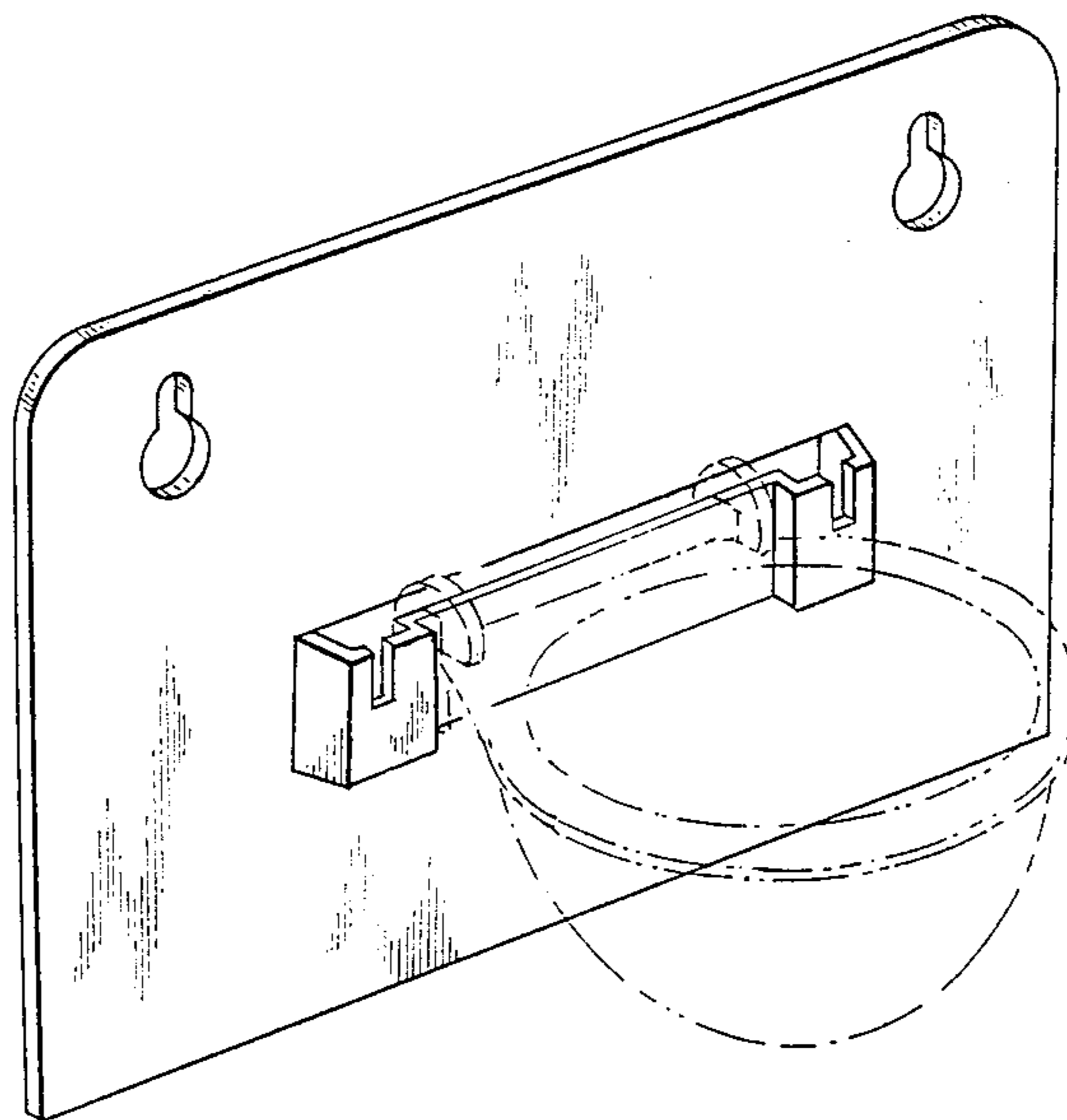


FIG. 1

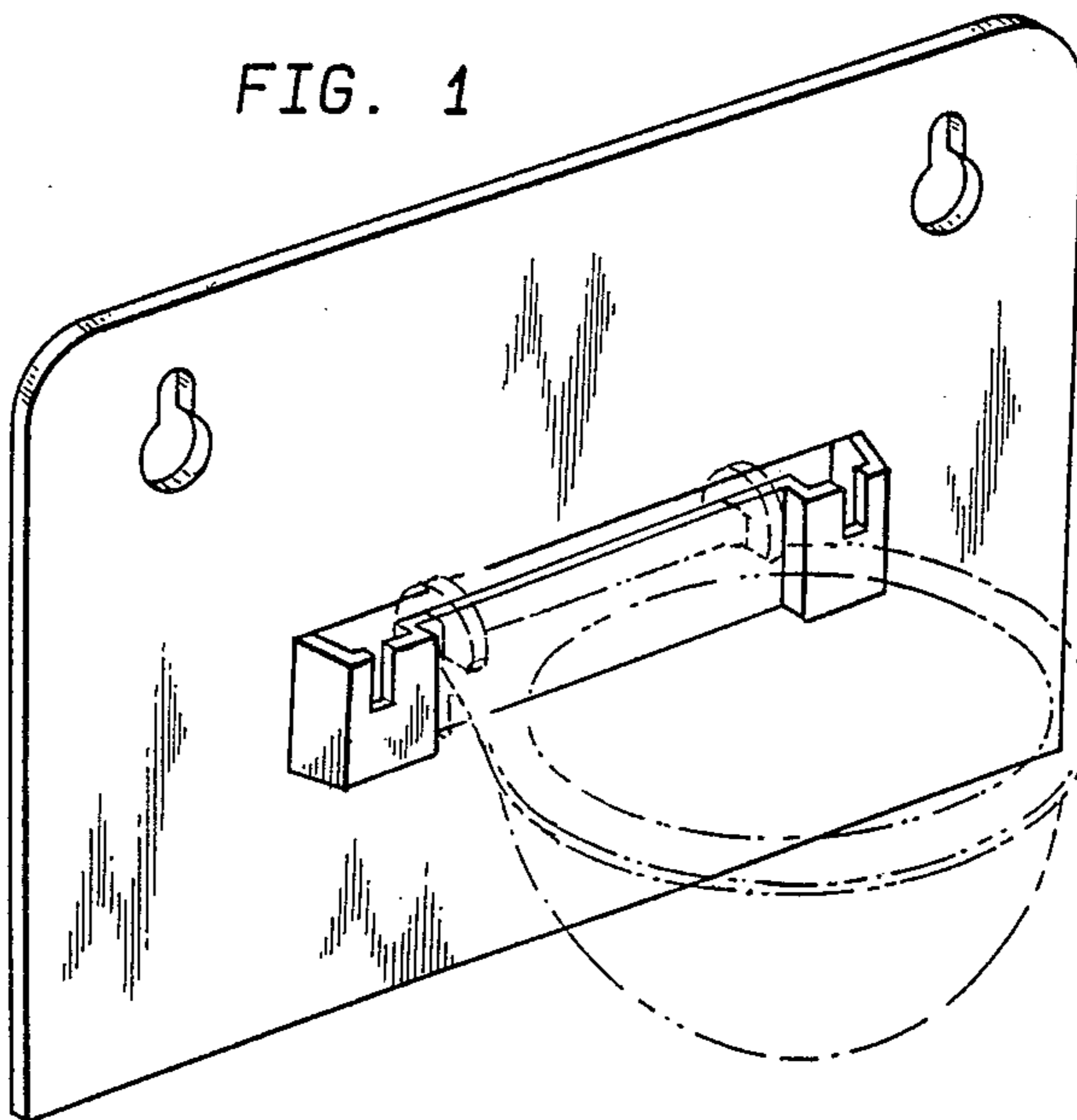


FIG. 2

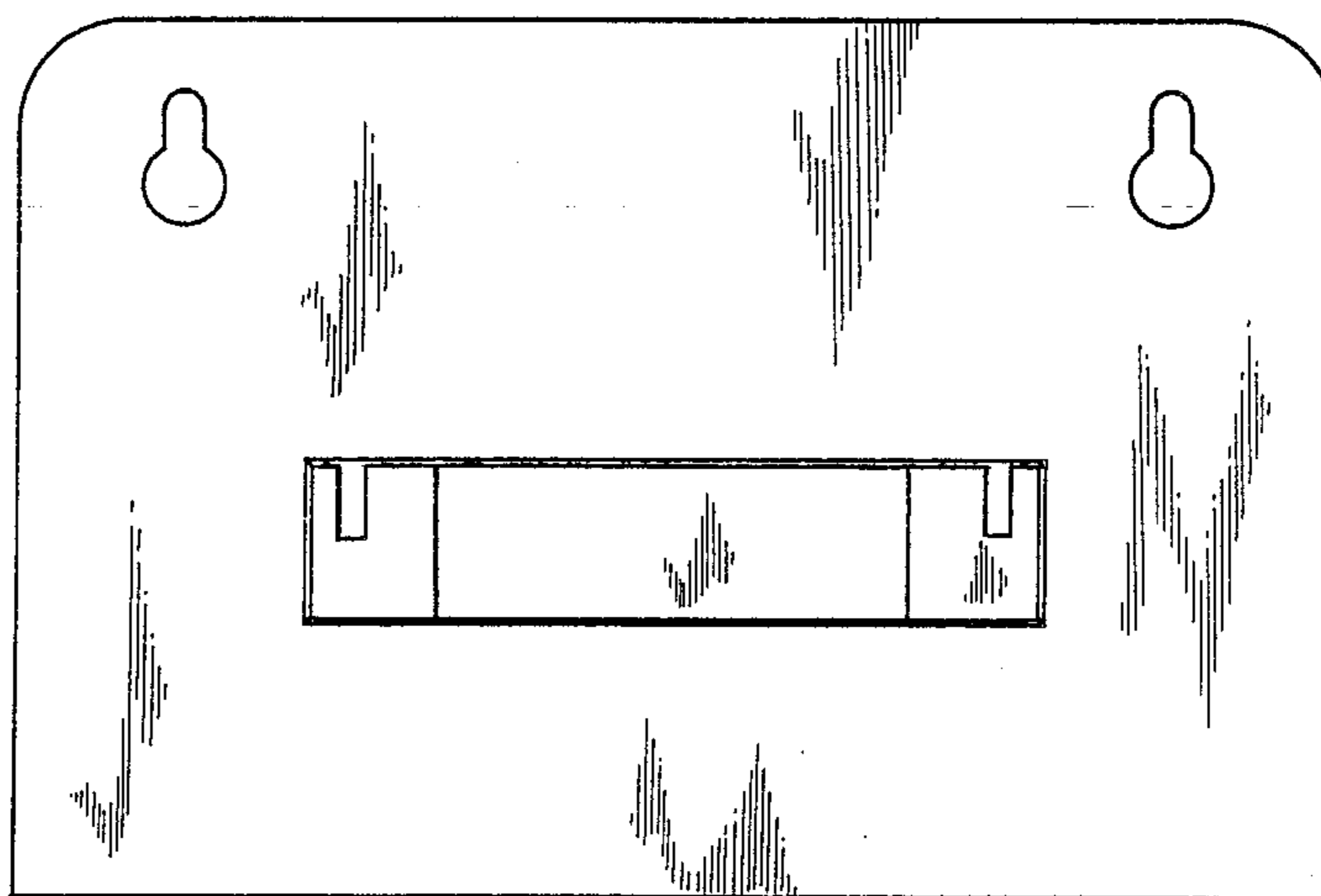


FIG. 3

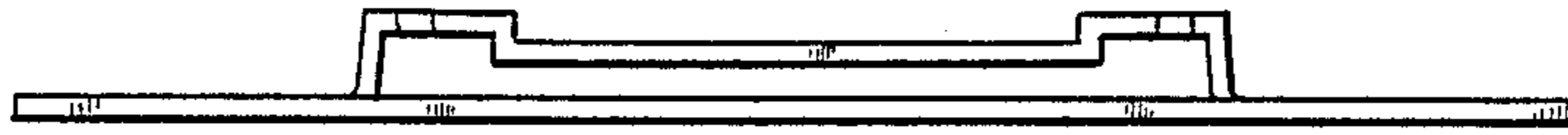


FIG. 4



FIG. 5

