

[54] **TIMED PET FOOD DISPENSER**

[76] Inventor: **Nedeljko M. Ulemek**, 1388 Ballantrae Drive, Mississauga, Ontario, Canada, L5M 3N5

[**] Term: **14 Years**

[21] Appl. No.: **238,030**

[22] Filed: **Aug. 30, 1988**

[52] U.S. Cl. **D30/122**

[58] Field of Search **D30/121, 122, 130-133, D30/106, 129; 119/51.04, 51.1, 51.11, 51.5, 15.12, 61, 72, 73, 74, 77, 78**

[56] **References Cited**

U.S. PATENT DOCUMENTS

D. 164,590	9/1951	Mulhern	D30/122
D. 249,284	9/1978	Hericourt	D30/122
D. 290,051	5/1987	Corbett	D30/122
2,157,682	5/1939	Sweeny	119/63
2,752,995	7/1956	Dodge	70/272
3,137,272	6/1964	Lepper	119/51.12
3,232,274	2/1966	Chatfield et al.	49/51.12
3,631,840	1/1972	McCormack	119/51.12
3,653,360	4/1972	Foster	119/51.14
3,785,348	1/1974	Polidori, Sr. et al.	D30/122

3,935,837	2/1976	Mulhern	119/51.12
3,982,501	9/1976	Marzocco	119/51.14
3,985,104	10/1976	Klemer	119/51.5
4,185,588	1/1980	Harris	119/51.12

Primary Examiner—James R. Largen
Assistant Examiner—Cathy Anne MacCormac
Attorney, Agent, or Firm—Bereskin & Parr Rogers

[57] **CLAIM**

The ornamental design for a timed pet food dispenser, as shown and described.

DESCRIPTION

FIG. 1 is a perspective view taken from the top, front and right side of a timed pet food dispenser showing my new design;

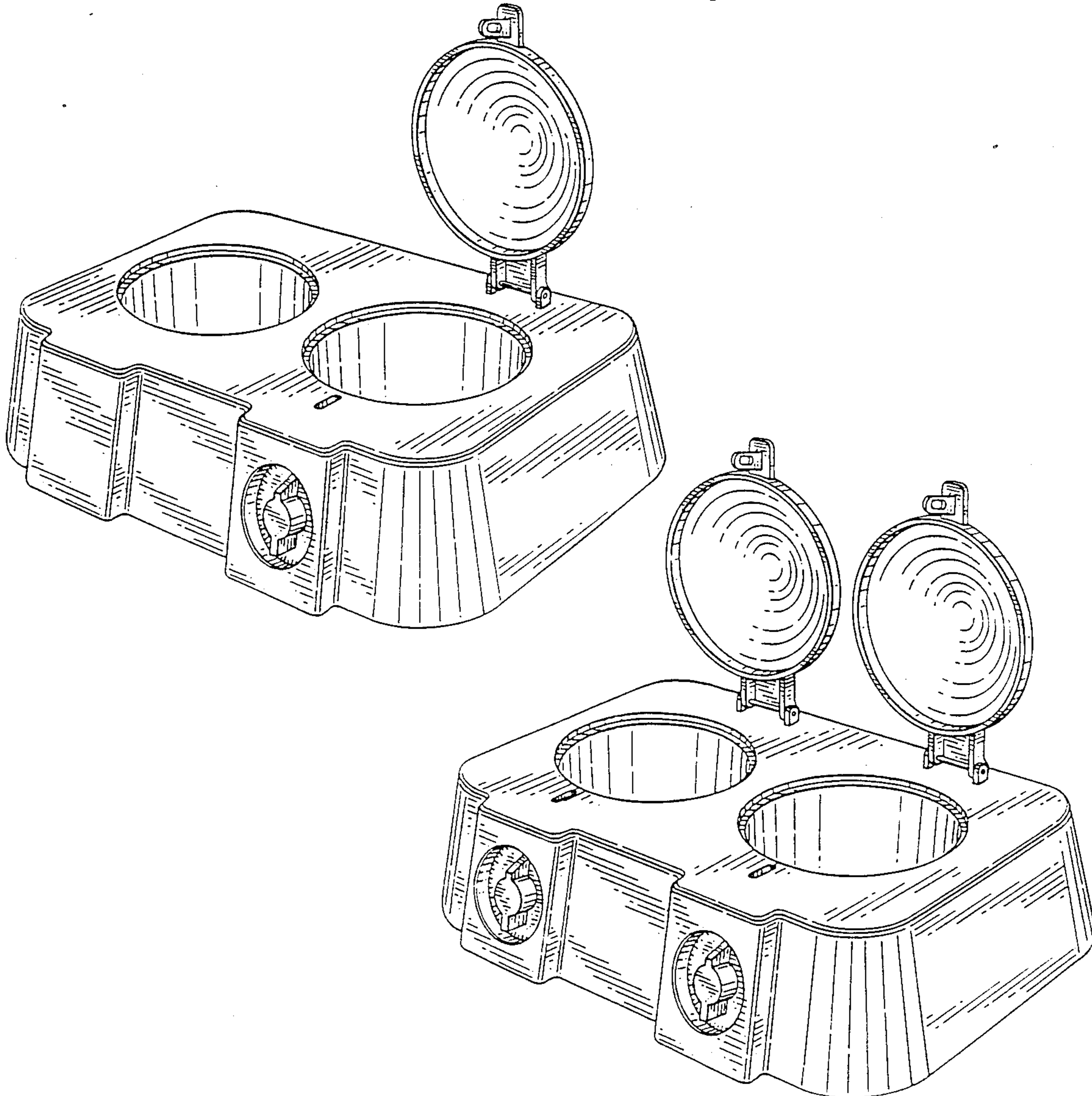
FIG. 2 is another perspective view like FIG. 1 showing the cover open;

FIG. 3 is a third perspective view like FIG. 3 showing the cover open;

FIG. 4 is a fourth perspective view like FIG. 3 showing the cover open;

FIG. 5 is a perspective view taken from the top, front and right side of a second embodiment thereof; and

FIG. 6 is another perspective view like FIG. 5 showing both covers open.



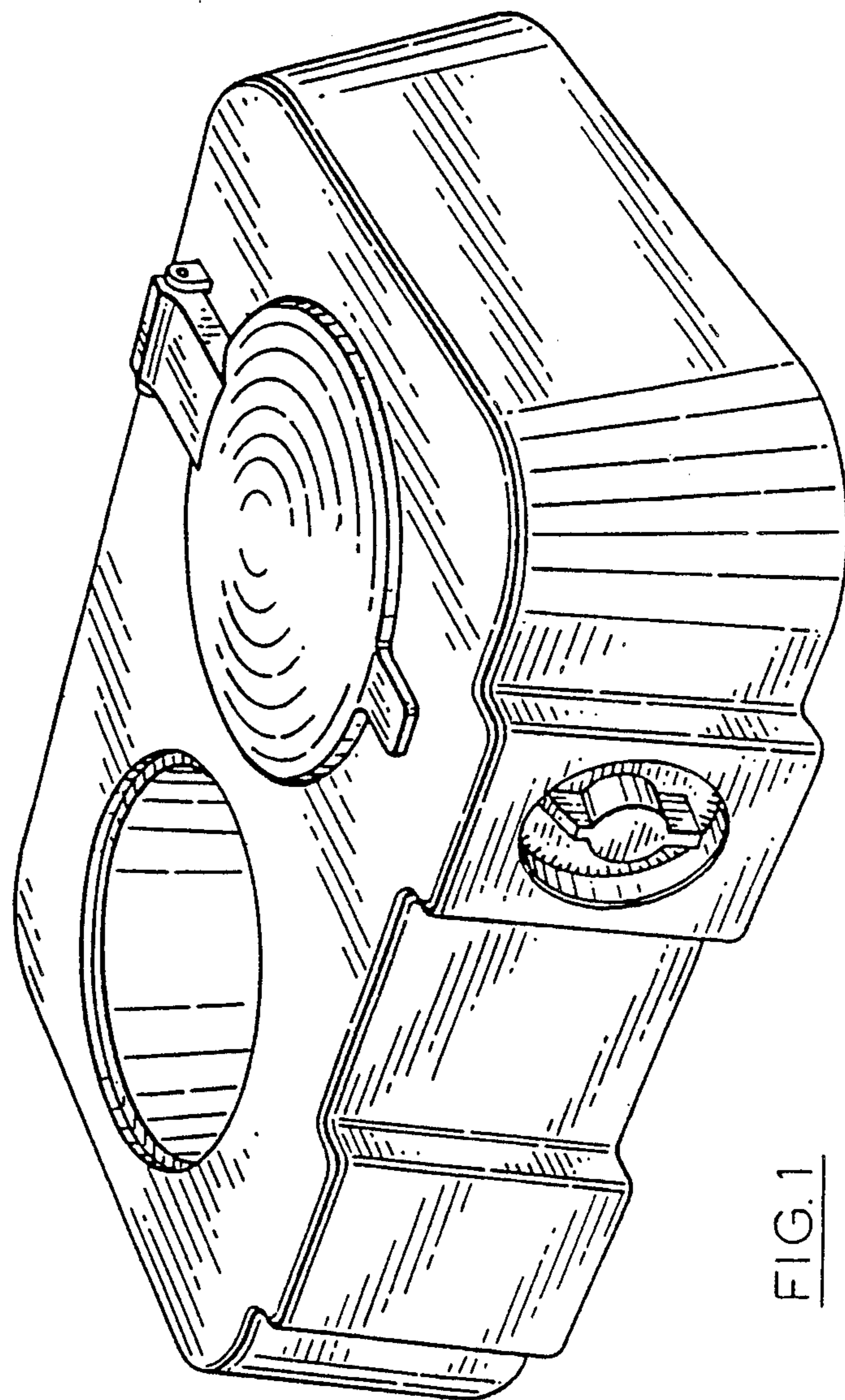


FIG. 1

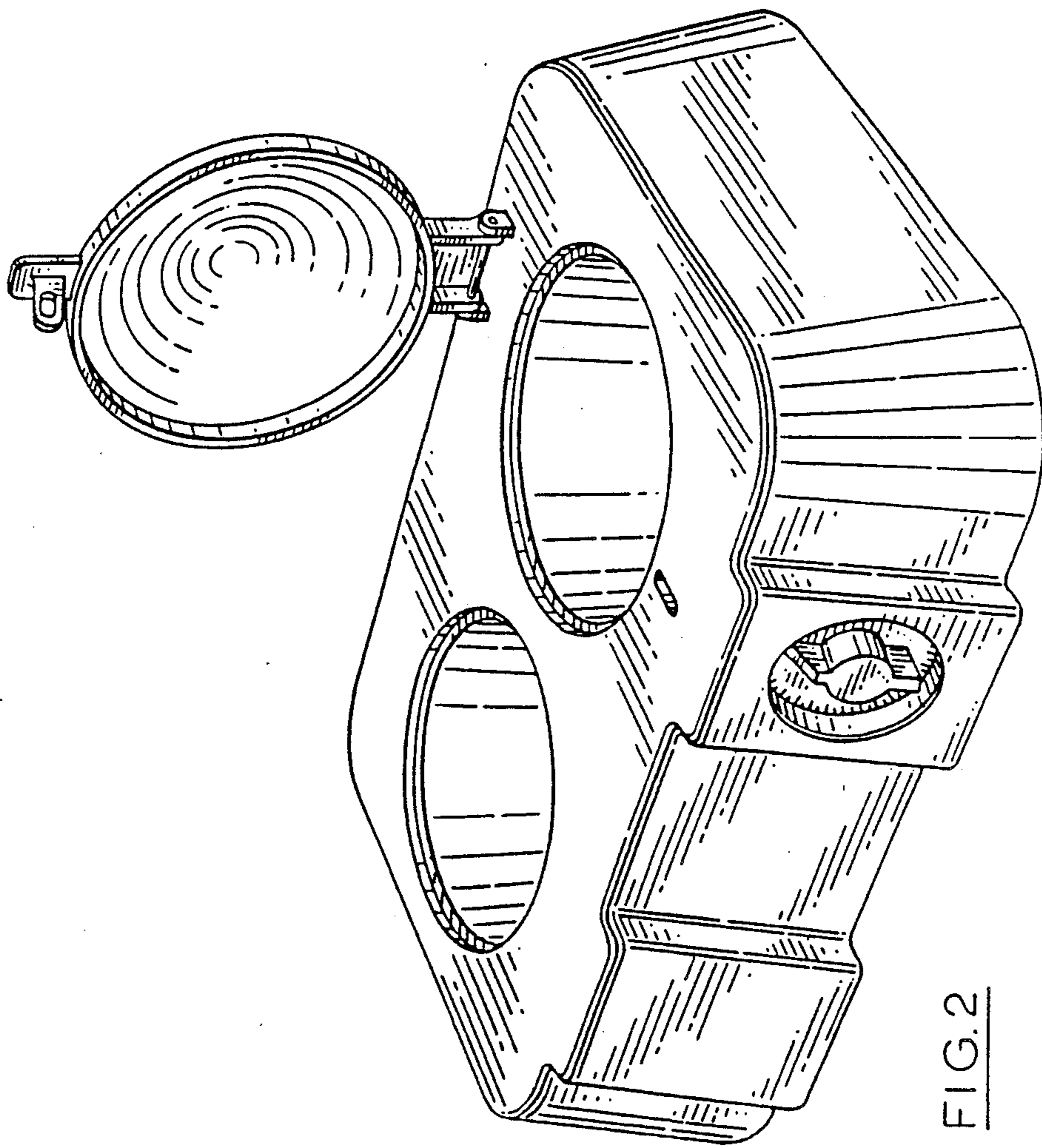


FIG. 2

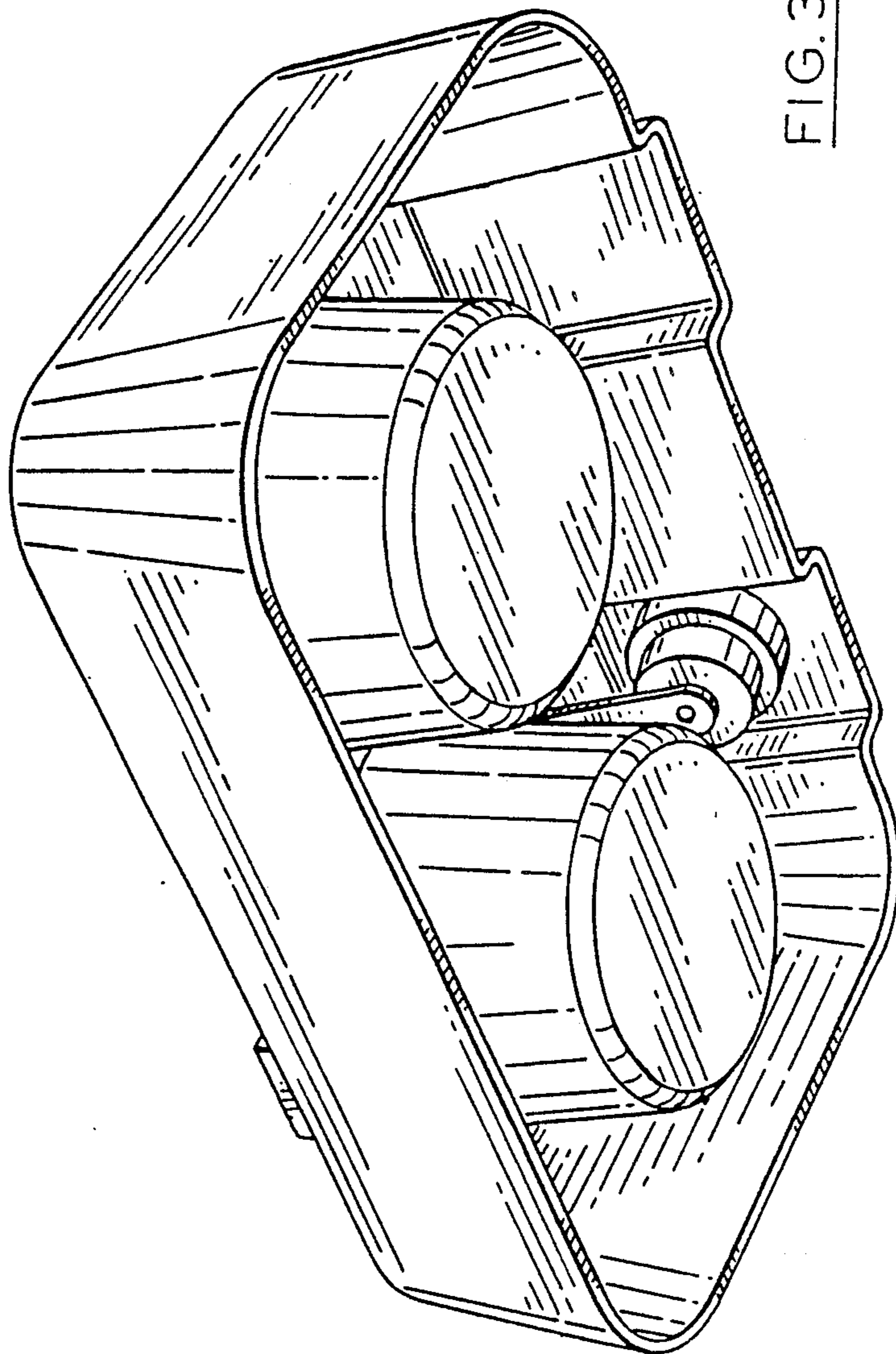


FIG. 3

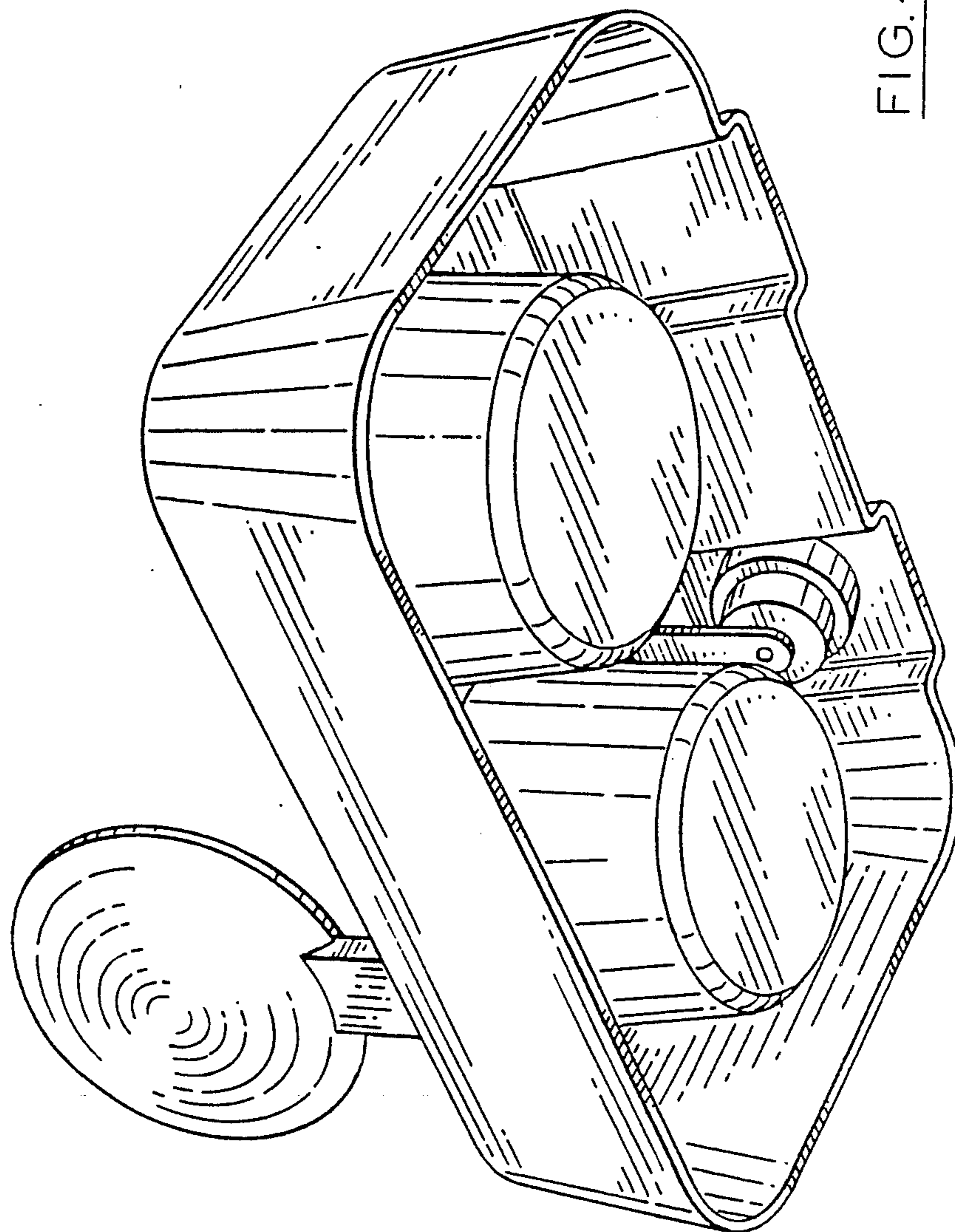


FIG. 4

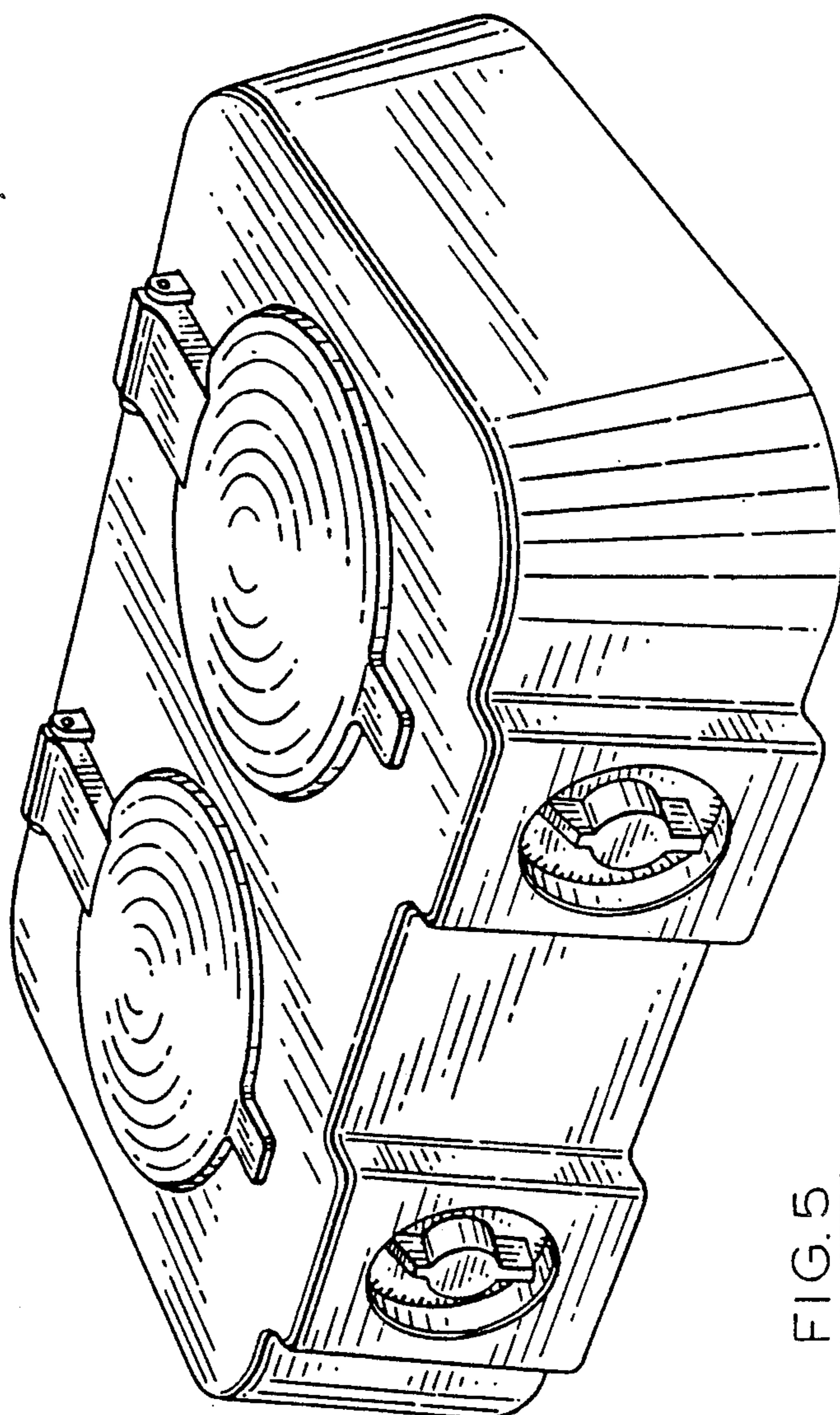


FIG. 5

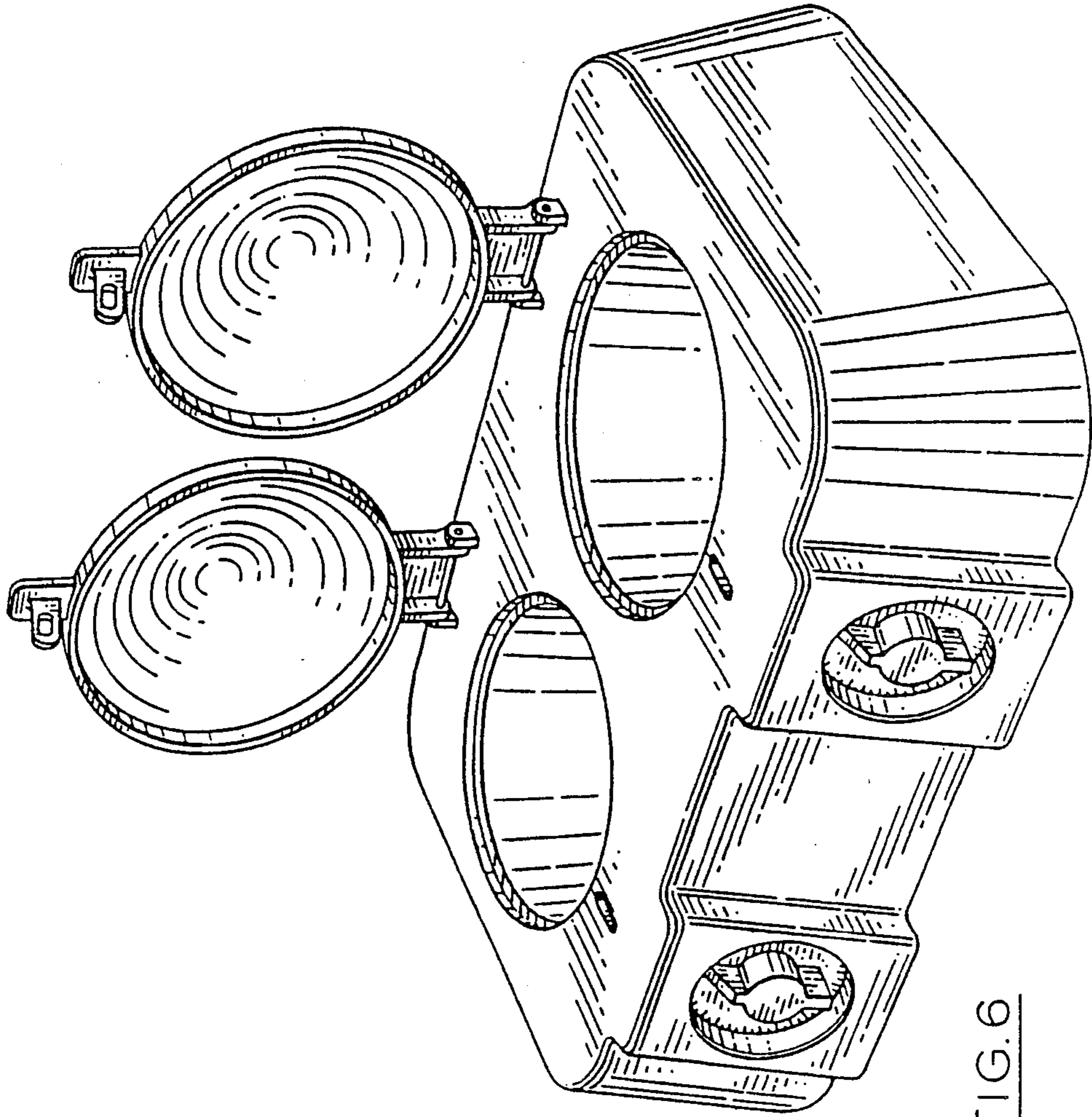


FIG. 6