

[54] **AUTOMATIC FISH FEEDER**

[76] Inventors: Sharon L. Keil; Craig D. Keil, both of  
P.O. Box 1897, Forks, Wash. 98331

[\*\*] Term: 14 Years

[21] Appl. No.: 170,418

[22] Filed: Mar. 18, 1988

[52] U.S. Cl. .... D30/122; D30/106

[58] Field of Search ..... D10/2, 40; 222/650,  
222/197; D30/106, 121, 122, 129-133; 119/5,  
51.1, 51.11, 51.12, 51.5, 74, 77, 78, 61, 72, 73

[56] **References Cited**

**U.S. PATENT DOCUMENTS**

D. 241,524	9/1976	Haggstrom	.....	D10/40
D. 287,170	12/1986	Goldman et al.	.....	D30/122
D. 288,299	2/1987	Mark	.....	D10/40
2,725,852	12/1955	Cramer	.....	119/51.04
2,772,659	12/1956	Tennis	.....	119/5
2,785,831	3/1957	Smolin	.....	119/51.04
2,793,791	5/1957	Clark	.....	222/650
2,847,066	8/1958	Kleiber et al.	.....	222/650

2,978,148	4/1961	Schwartz	.....	222/197
3,050,029	8/1962	Appleton	.....	119/5
4,157,770	6/1979	Roos	.....	222/650
4,175,679	11/1979	Ponce et al.	.....	222/650
4,578,209	5/1981	Fraser	.....	222/650

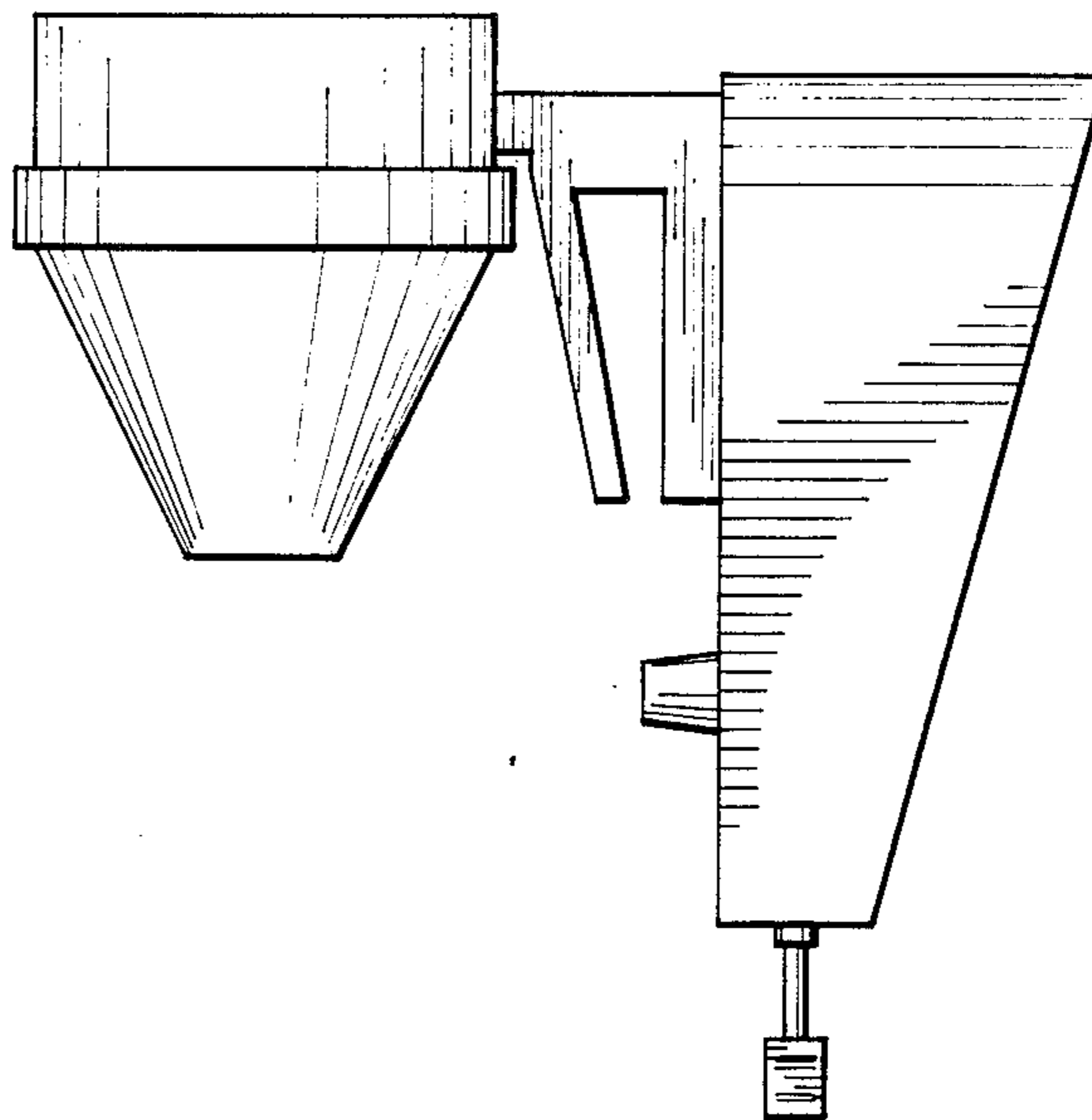
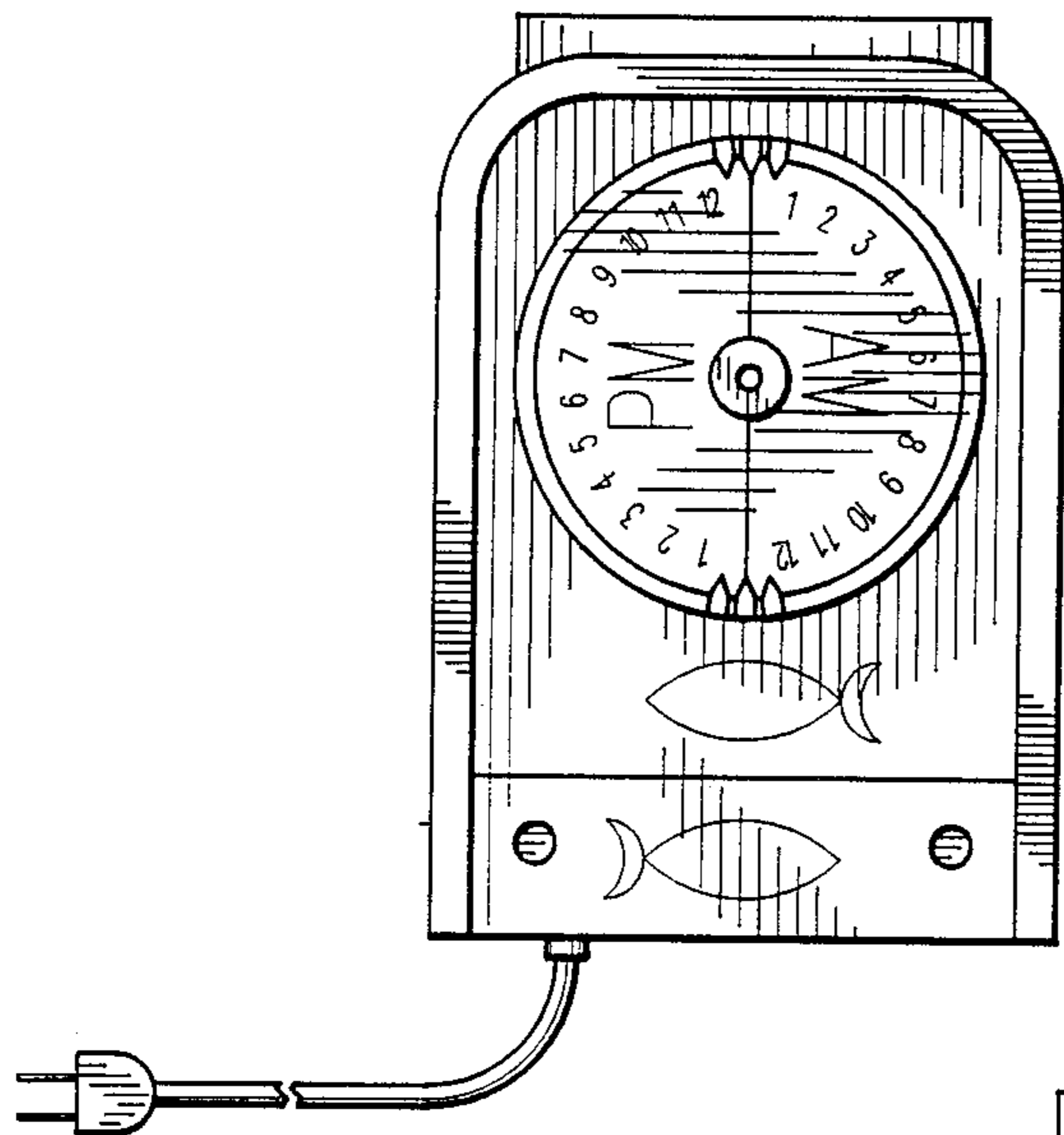
Primary Examiner—A. Hugo Word  
Assistant Examiner—Cathy Anne MacCormac  
Attorney, Agent, or Firm—Jerry T. Kearns

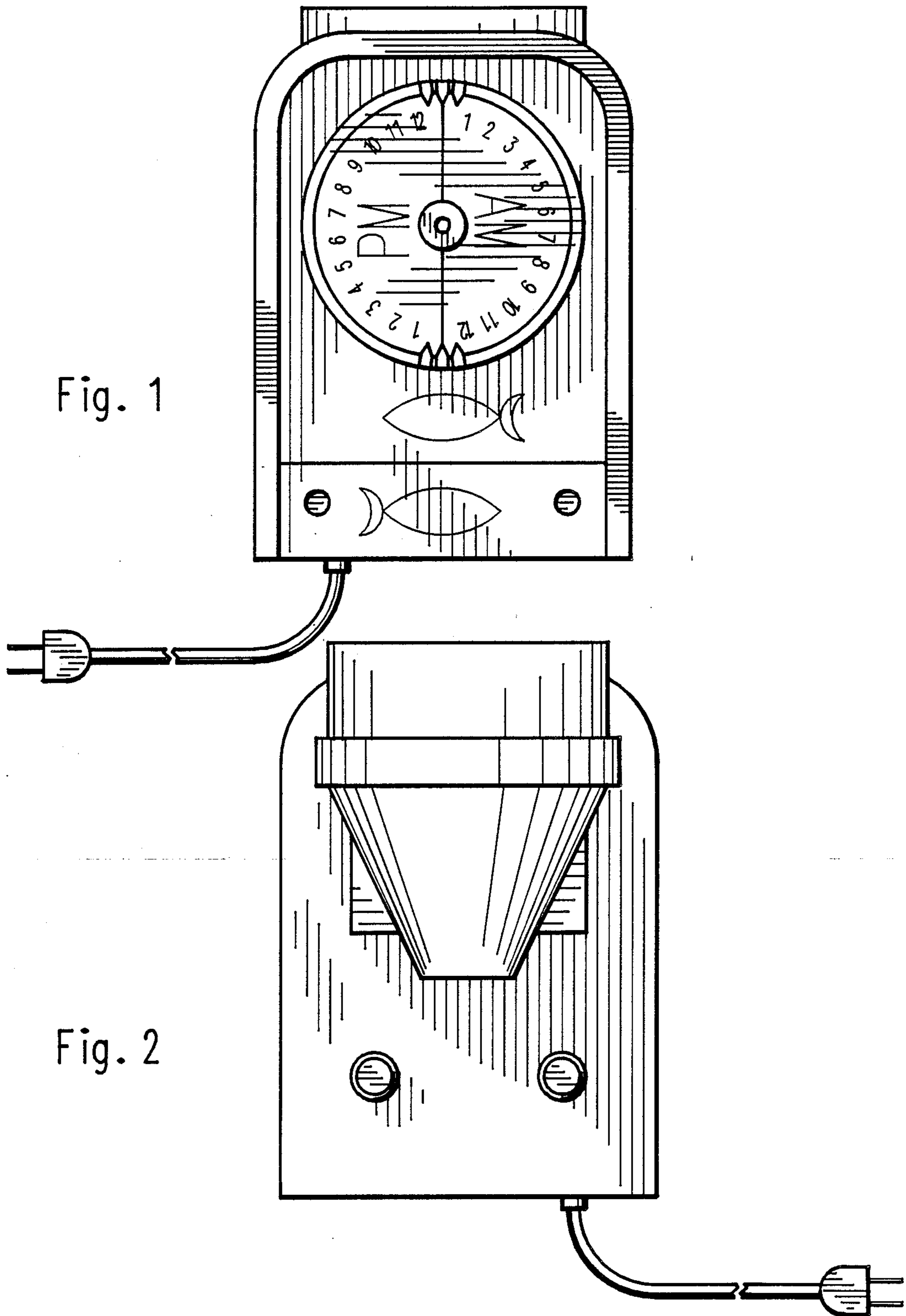
[57] **CLAIM**

The ornamental design for an automatic fish feeder, as shown and described.

**DESCRIPTION**

FIG. 1 is a front elevational view of an automatic fish feeder showing our new design;  
FIG. 2 is a rear elevational view thereof;  
FIG. 3 is a left side elevational view thereof;  
FIG. 4 is a right side elevational view thereof;  
FIG. 5 is a top plan view thereof; and,  
FIG. 6 is a bottom plan view thereof.  
The electrical cord in FIGS. 1, 2, 5 and 6 is shown broken away for indeterminate length.





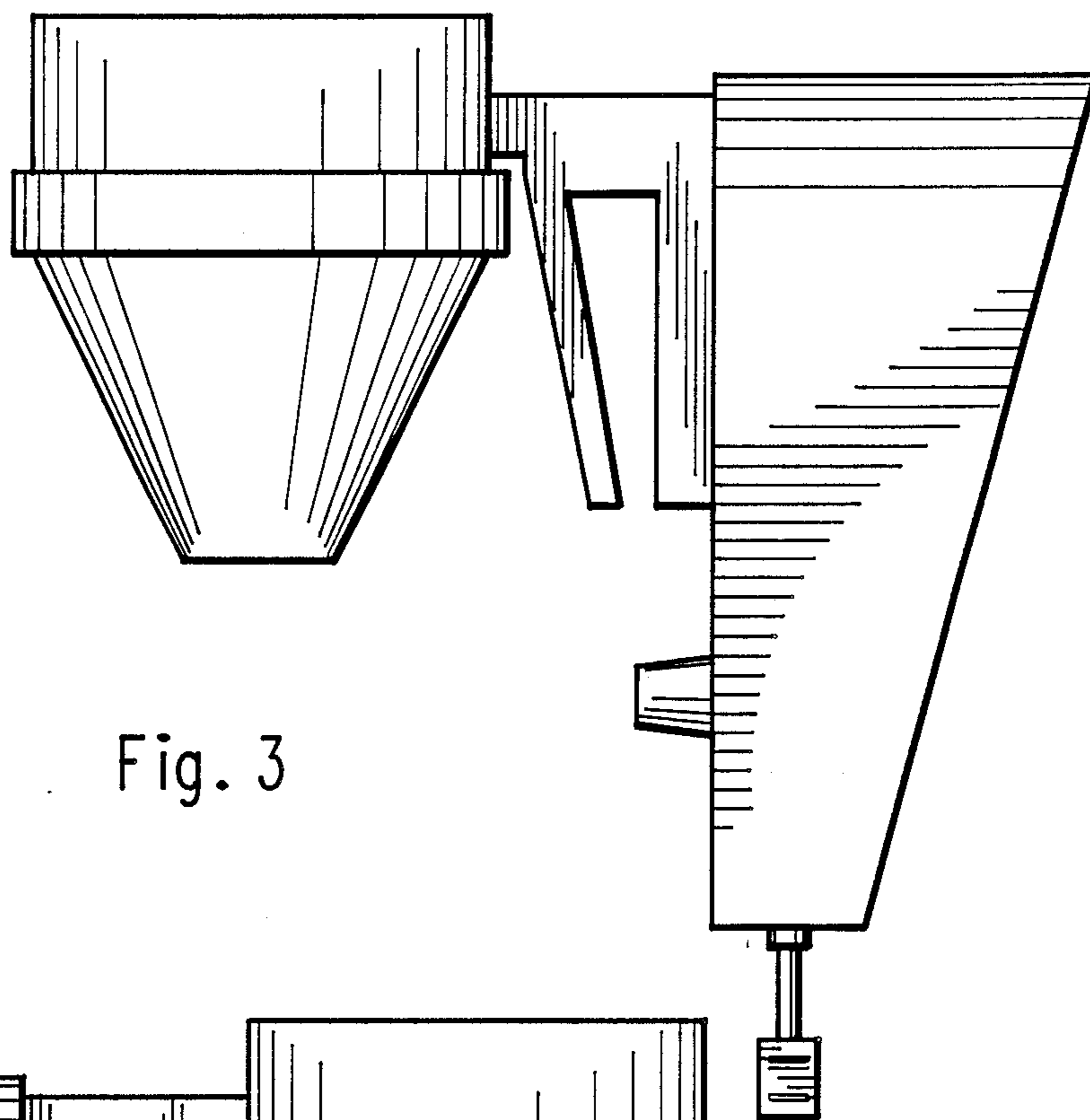


Fig. 3

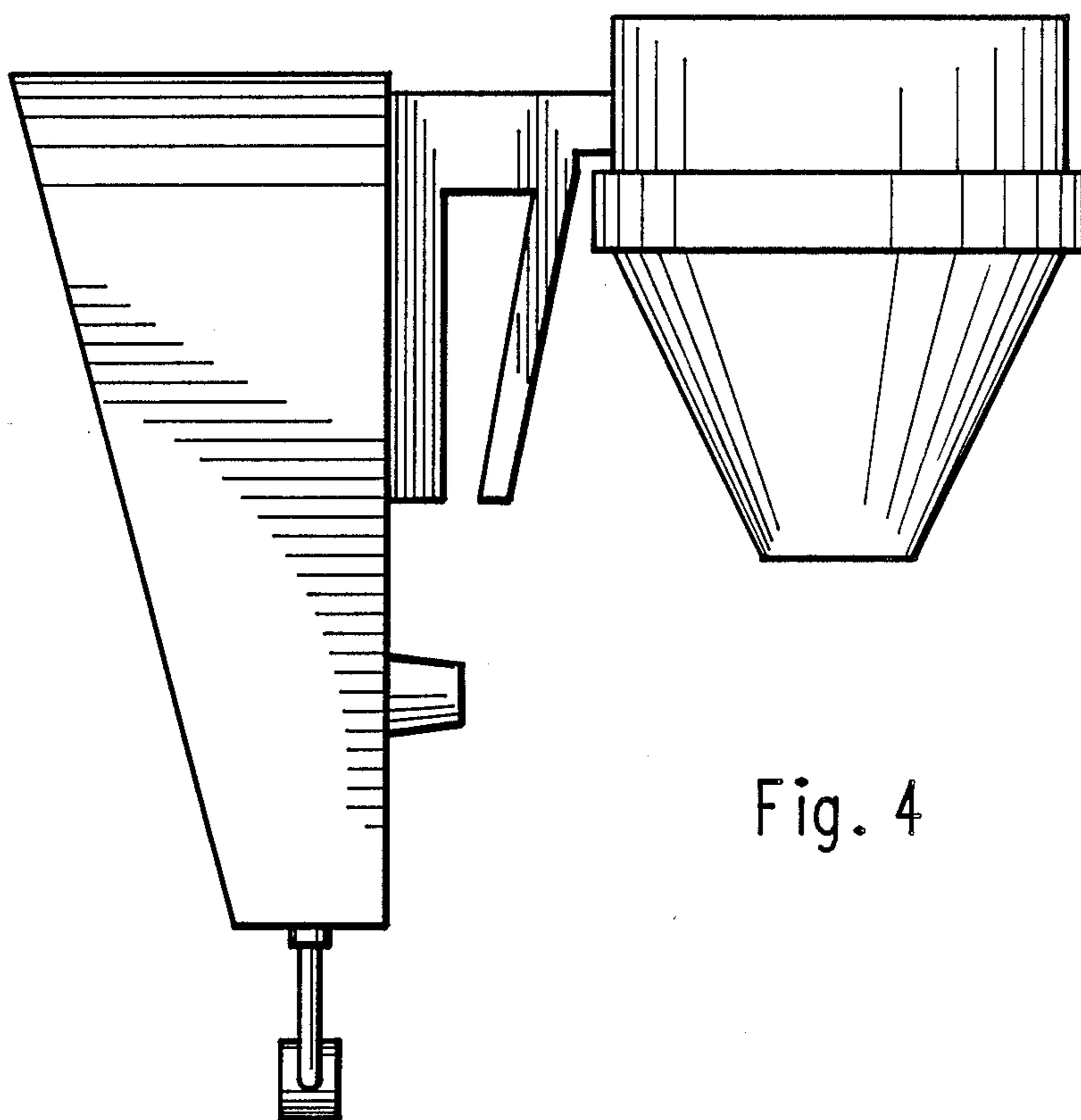


Fig. 4

