

[54] ADJUSTABLE SURGICAL LAMP OR SIMILAR ARTICLE

[75] Inventor: Stig B. Jönsson, Blomstermåla, Sweden

[73] Assignee: Landstingens Inkopscentral, Lic, Ekonomisk Forening, Solna, Sweden

[\*\*] Term: 14 Years

[21] Appl. No.: 33,750

[22] Filed: Apr. 6, 1987

[30] Foreign Application Priority Data

Oct. 8, 1986 [SE] Sweden ..... 86-2323

[52] U.S. Cl. .... D26/63

[58] Field of Search ..... D26/60-66; 362/362, 269, 275, 287, 418, 419, 427, 428, 310, 307, 432, 33, 804; 128/23

[56] References Cited

U.S. PATENT DOCUMENTS

D. 128,125	7/1941	Rutledge .....	D26/61 X
D. 163,812	7/1951	Mehr .....	D26/63
2,982,848	5/1961	Rosenberg .....	D26/63 X
4,803,607	2/1989	Jönsson .....	362/250

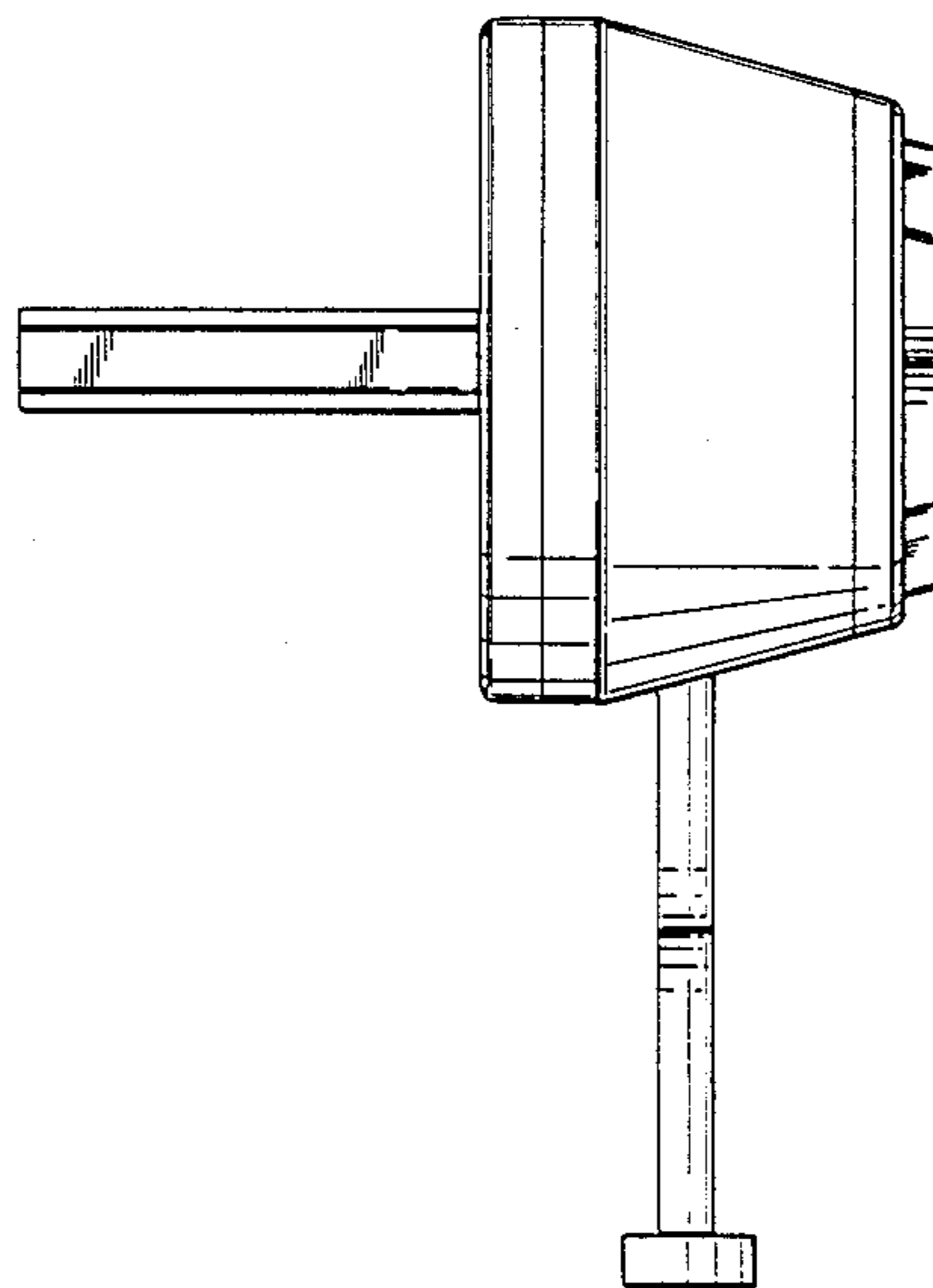
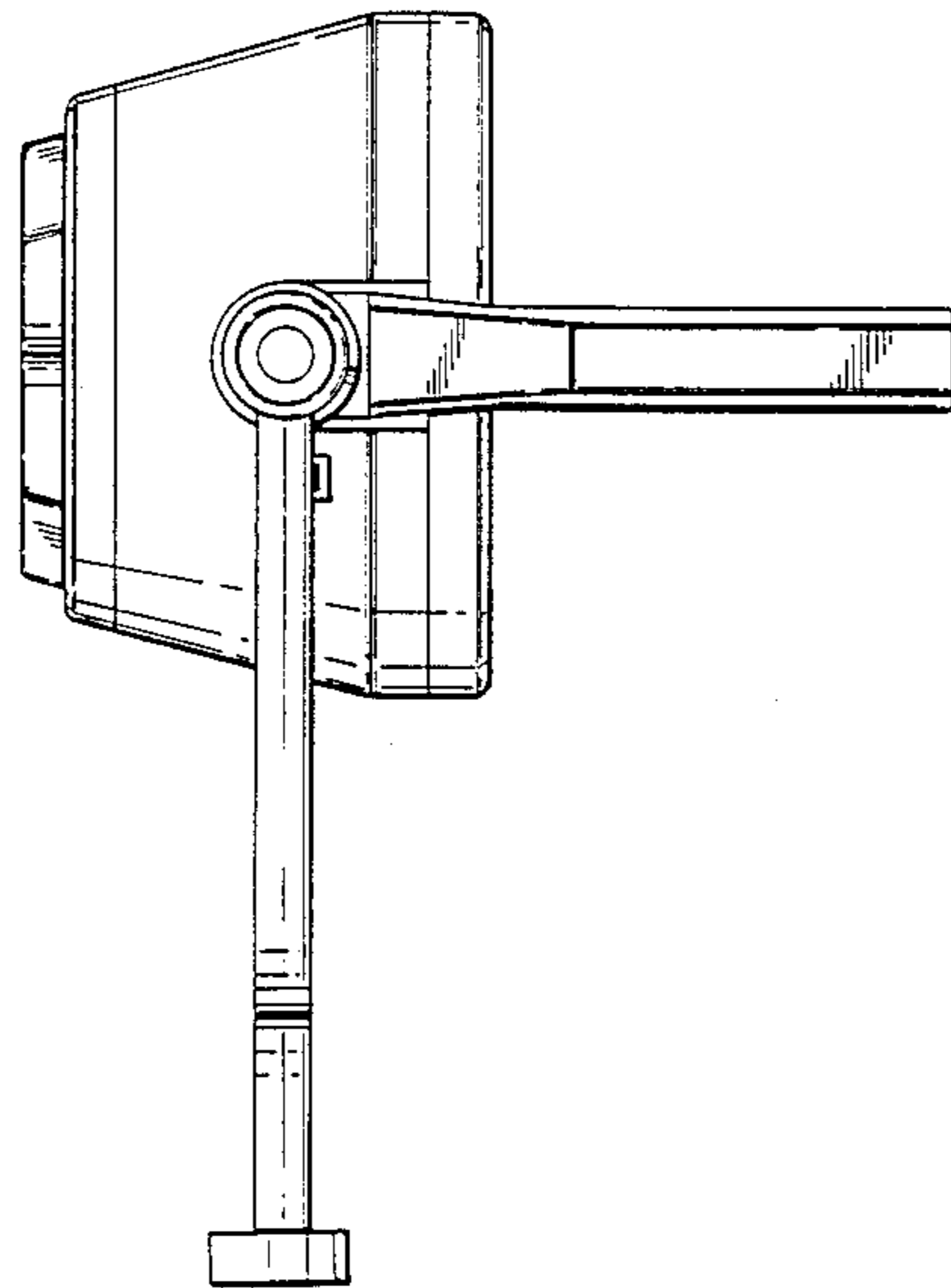
Primary Examiner—Susan J. Lucas  
Attorney, Agent, or Firm—Young & Thompson

[57] CLAIM

The ornamental design for adjustable surgical lamp or similar article, as shown.

DESCRIPTION

FIG. 1 is a side elevational view of an adjustable surgical lamp or similar article showing my new design; FIG. 2 is an opposite side elevational view thereof; FIG. 3 is a bottom plan view thereof; FIG. 4 is a top plan view thereof; FIG. 5 is a side elevational view thereof as seen from the bottom of FIG. 1 and FIG. 3; and FIG. 6 is a side elevational view thereof as seen from the top of FIG. 1 and FIG. 3.



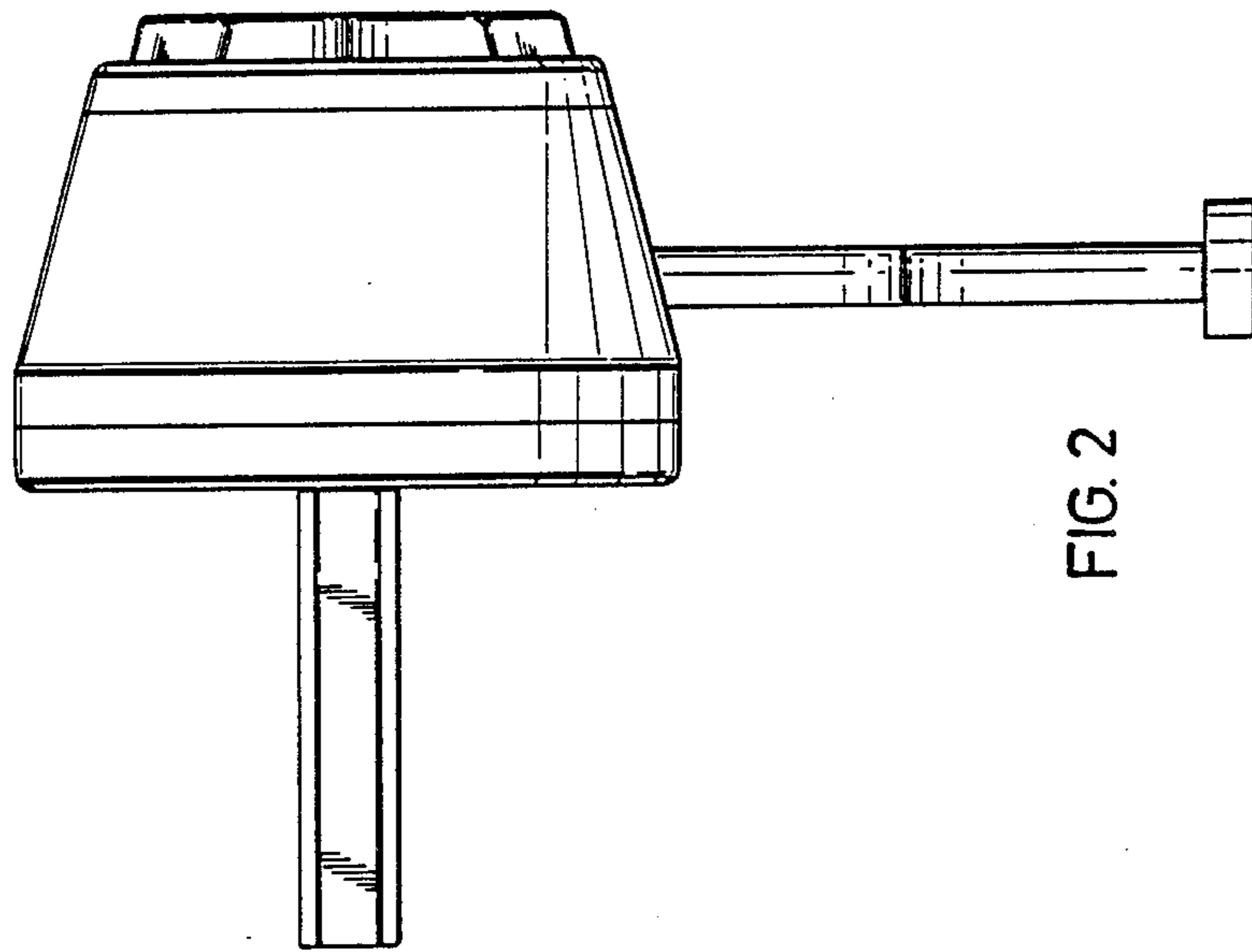


FIG. 2

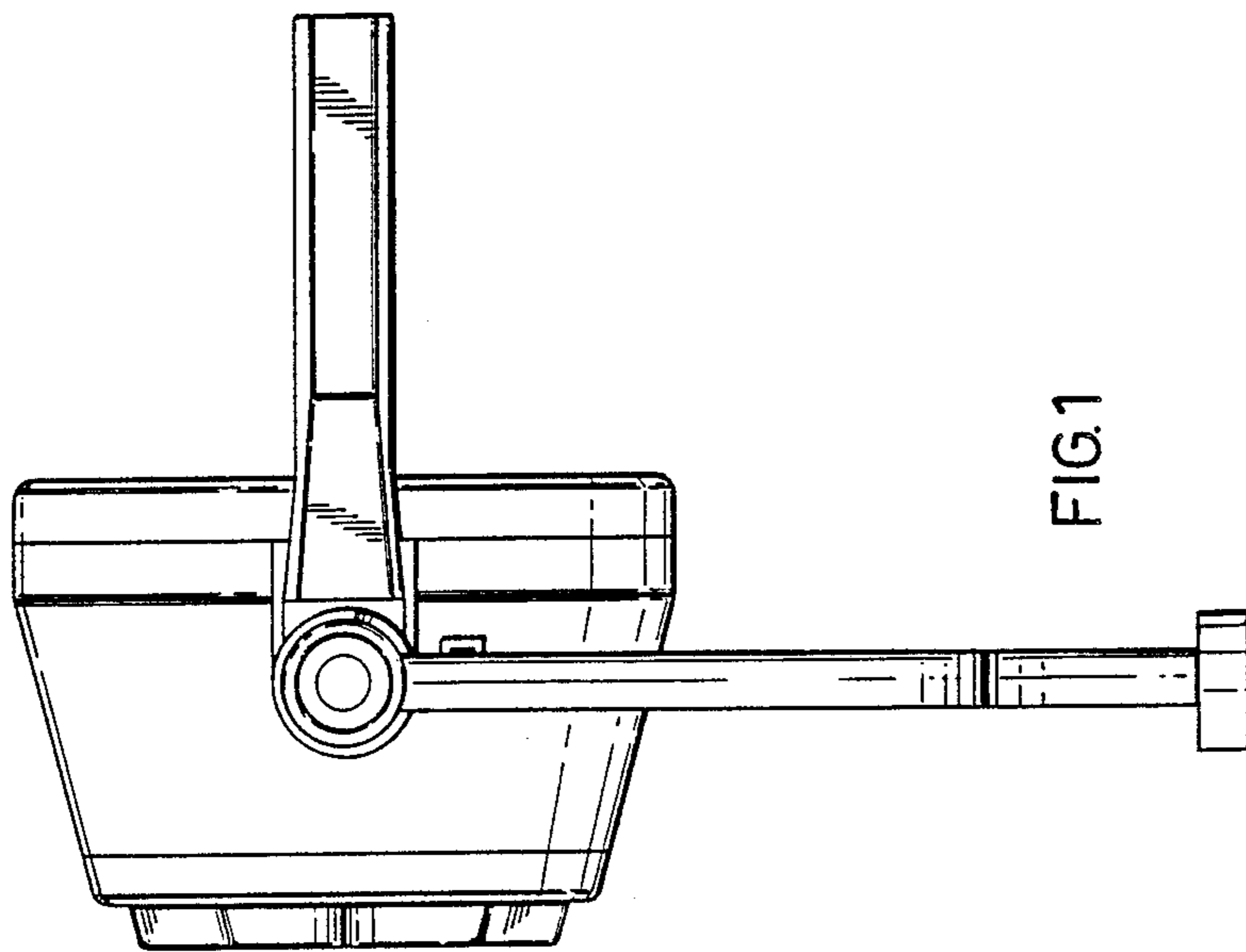
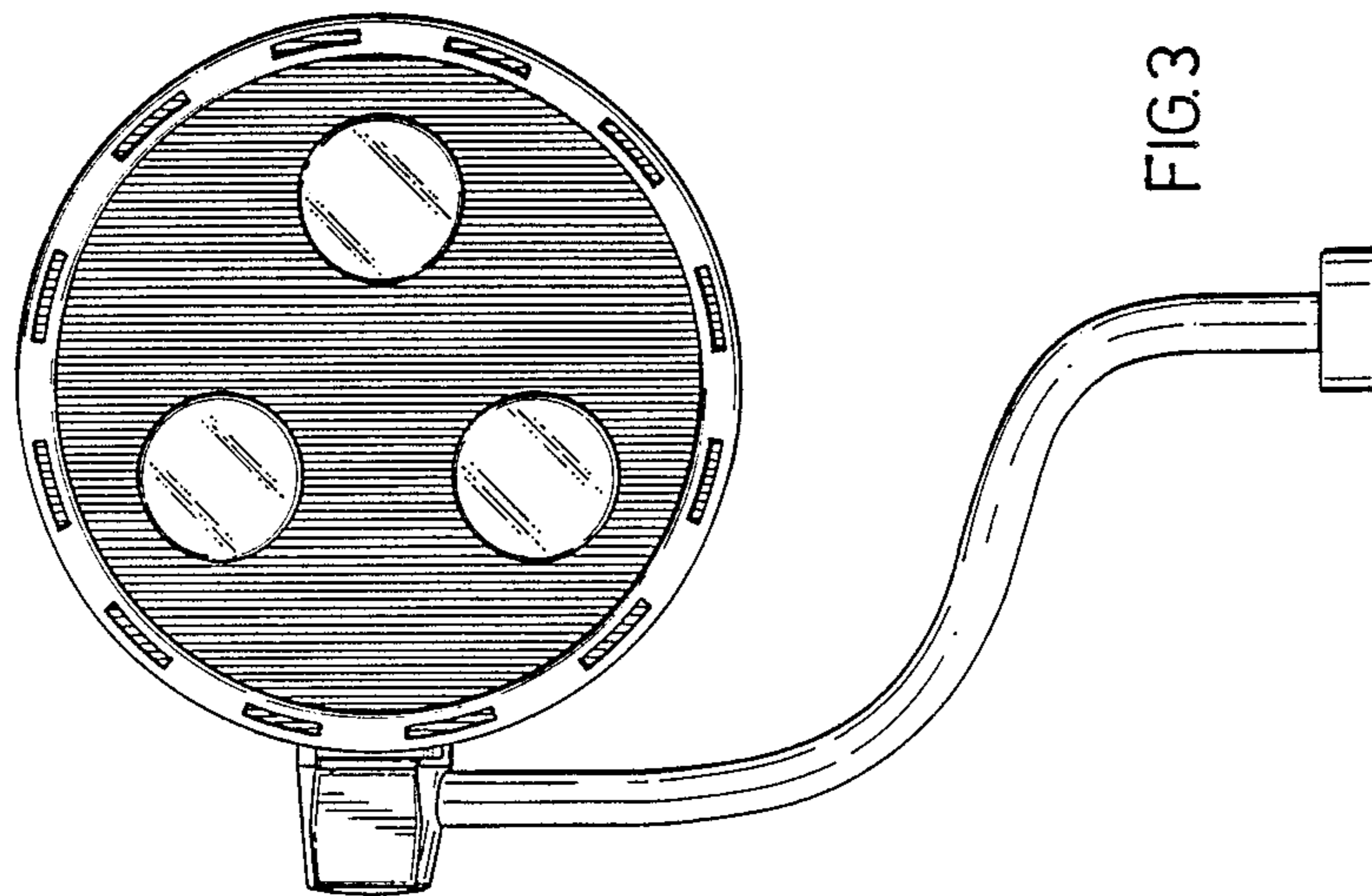
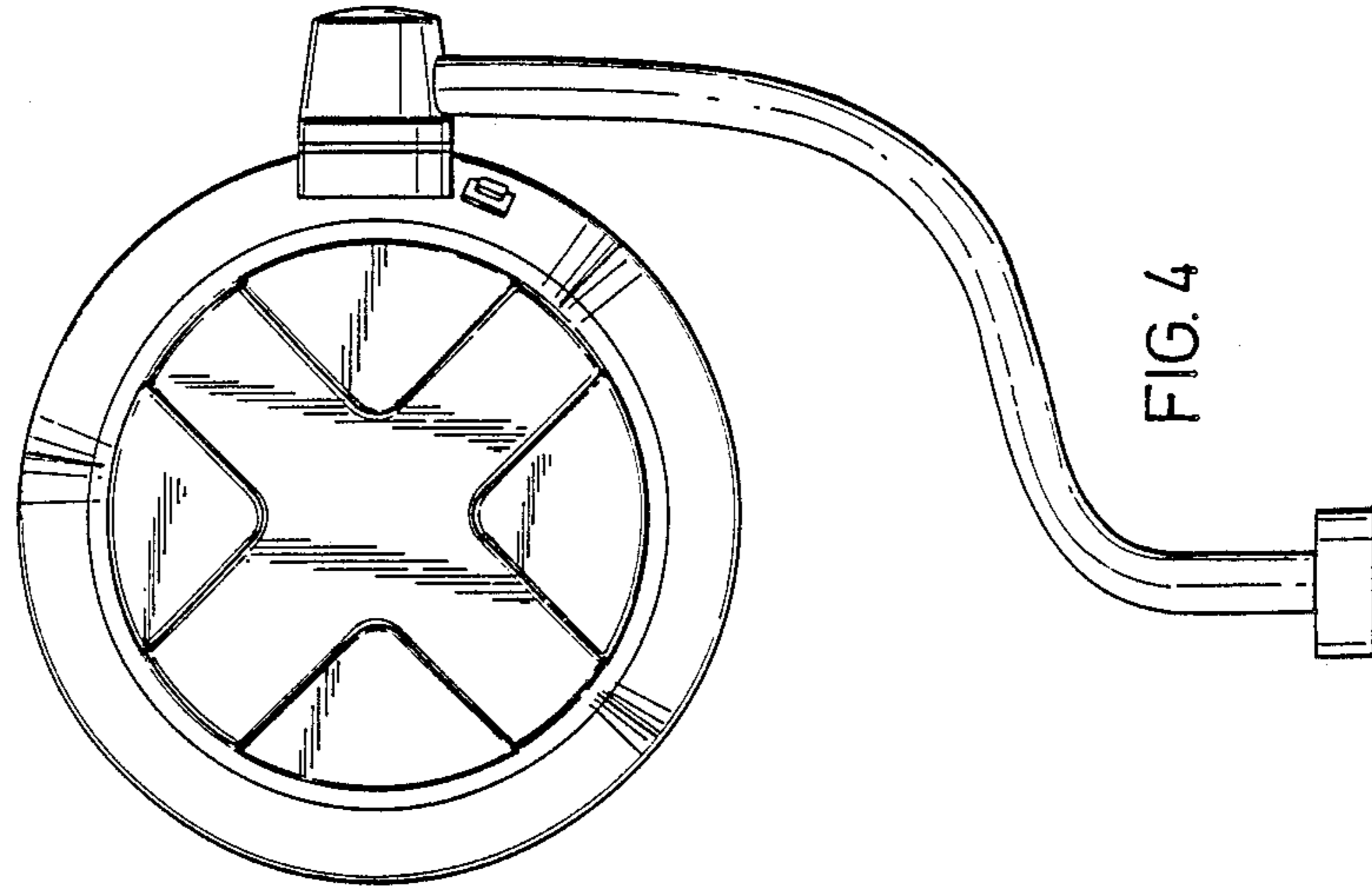


FIG. 1



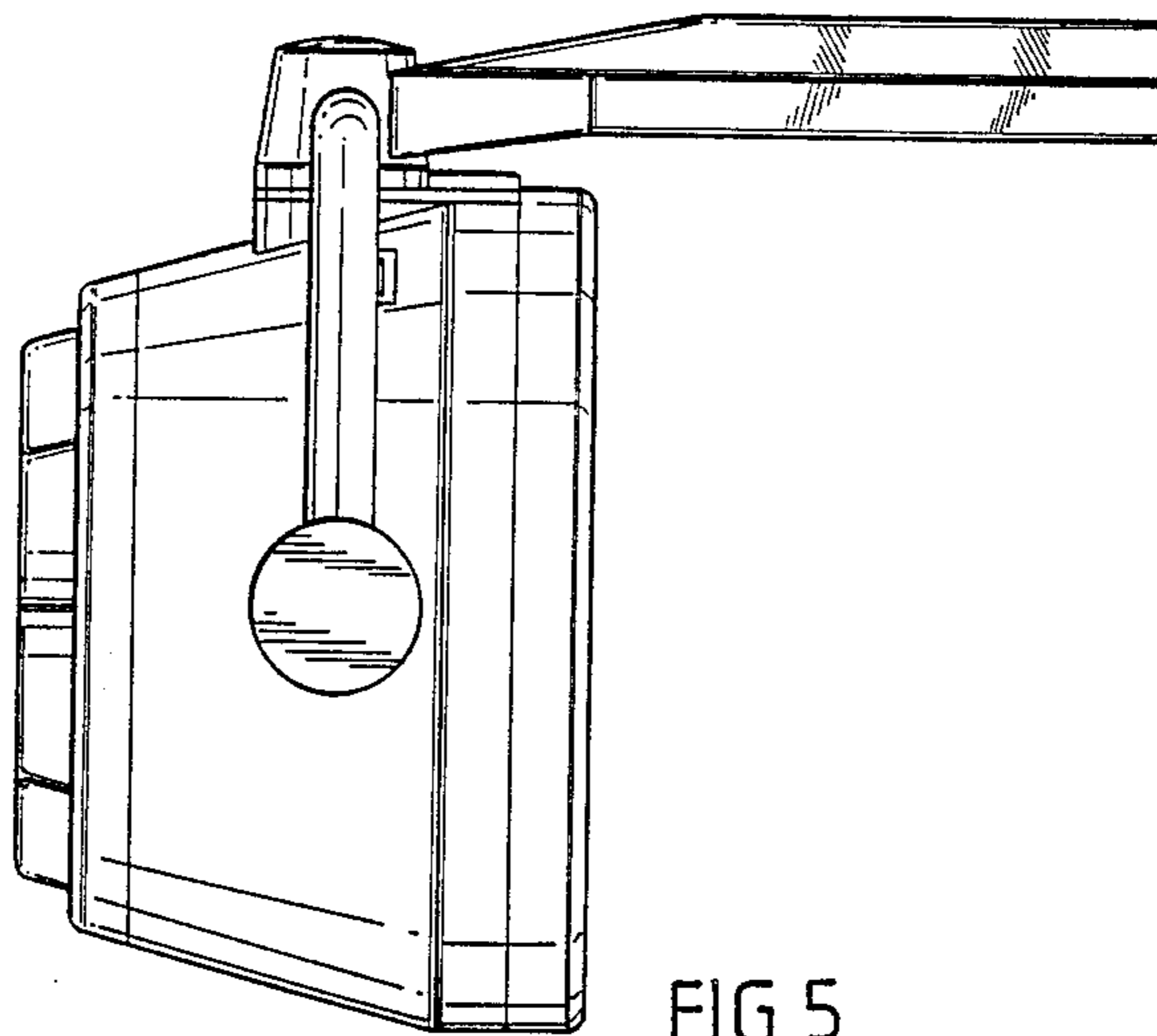


FIG. 5

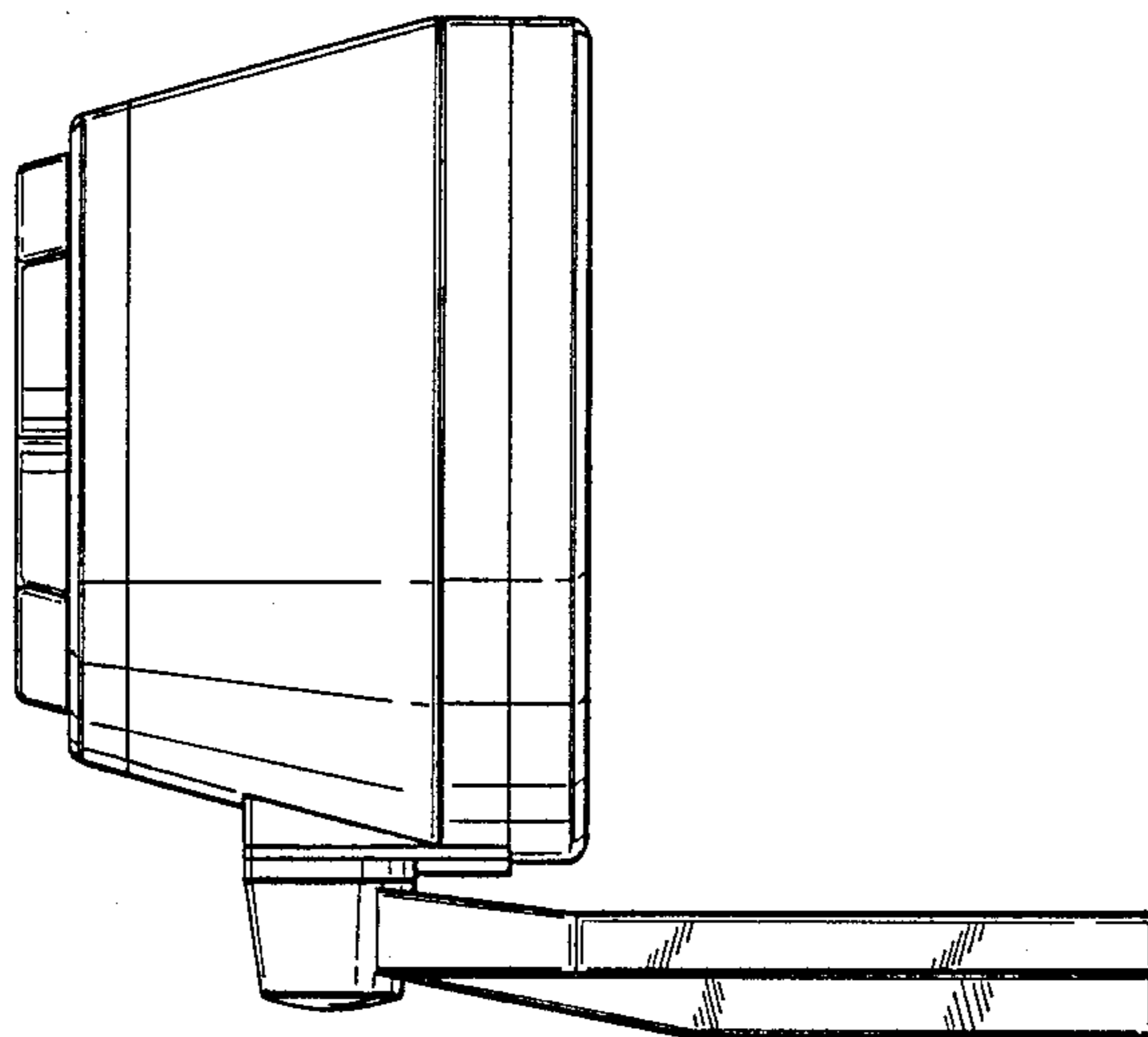


FIG. 6