

[54] PORTABLE INDIRECT LIGHTING FIXTURE

D. 284,958 7/1986 Gernhardt D26/92
4,450,513 5/1984 Guggemos 362/362

[75] Inventors: Don Miletich, Greenfield; George R. Krom, Burlington, both of Wis.

Primary Examiner—Susan J. Lucas
Attorney, Agent, or Firm—Eddie E. Scott; Elliott Cox; Alan Thiele

[73] Assignee: Cooper Industries, Inc., Houston, Tex.

[57] CLAIM

[**] Term: 14 Years

The ornamental design for a portable indirect lighting fixture, as shown and described.

[21] Appl. No.: 55,211

DESCRIPTION

[22] Filed: May 28, 1987

[52] U.S. Cl. D26/24; D26/93

[58] Field of Search D26/51, 72, 80-92,
D26/24, 93, 102-112; 362/362, 410-414, 806,
432, 147

FIG. 1 is a top, front, right side isometric view of a portable indirect lighting fixture showing our new design;

FIG. 2 is a bottom isometric view thereof;

FIG. 3 is a top plan view thereof;

FIG. 4 is a front elevational view thereof;

FIG. 5 is a rear elevational view thereof;

FIG. 6 is a right side elevational view thereof;

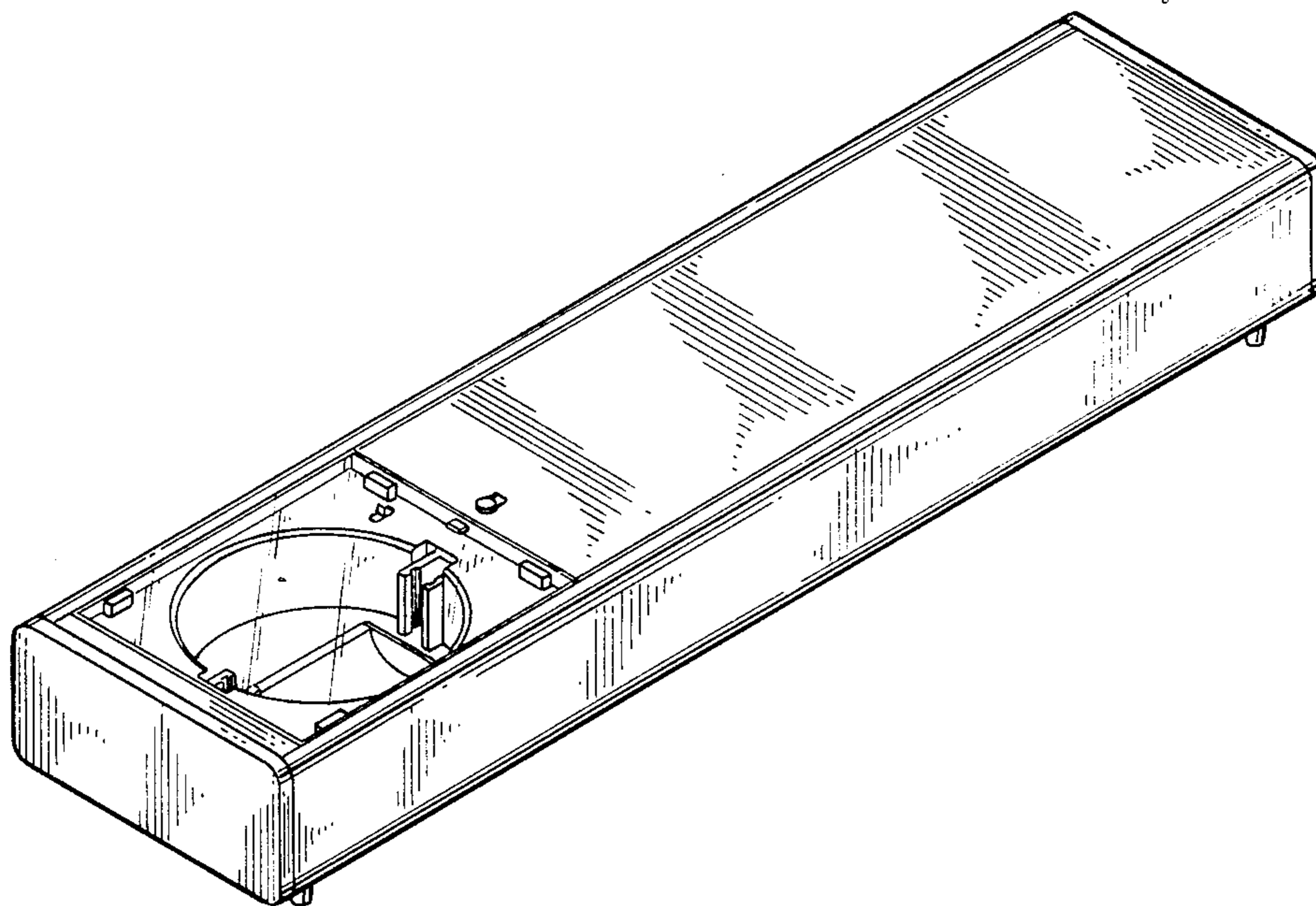
FIG. 7 is a left side elevational view thereof;

FIG. 8 is a bottom plan view thereof.

[56] References Cited

U.S. PATENT DOCUMENTS

D. 240,762 7/1976 Fraker D26/51
D. 284,109 6/1986 Seal, Jr. D26/72



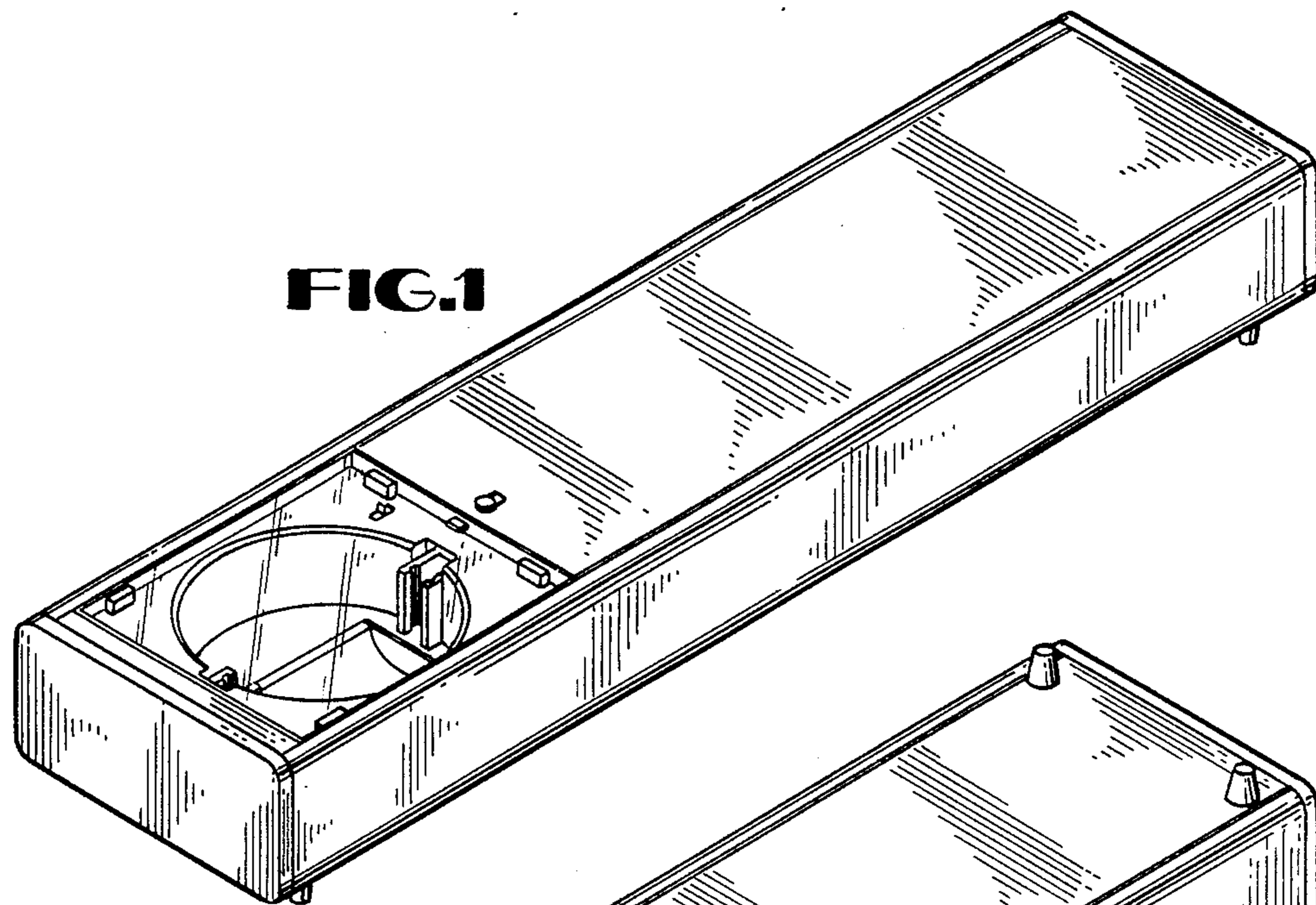


FIG. 1

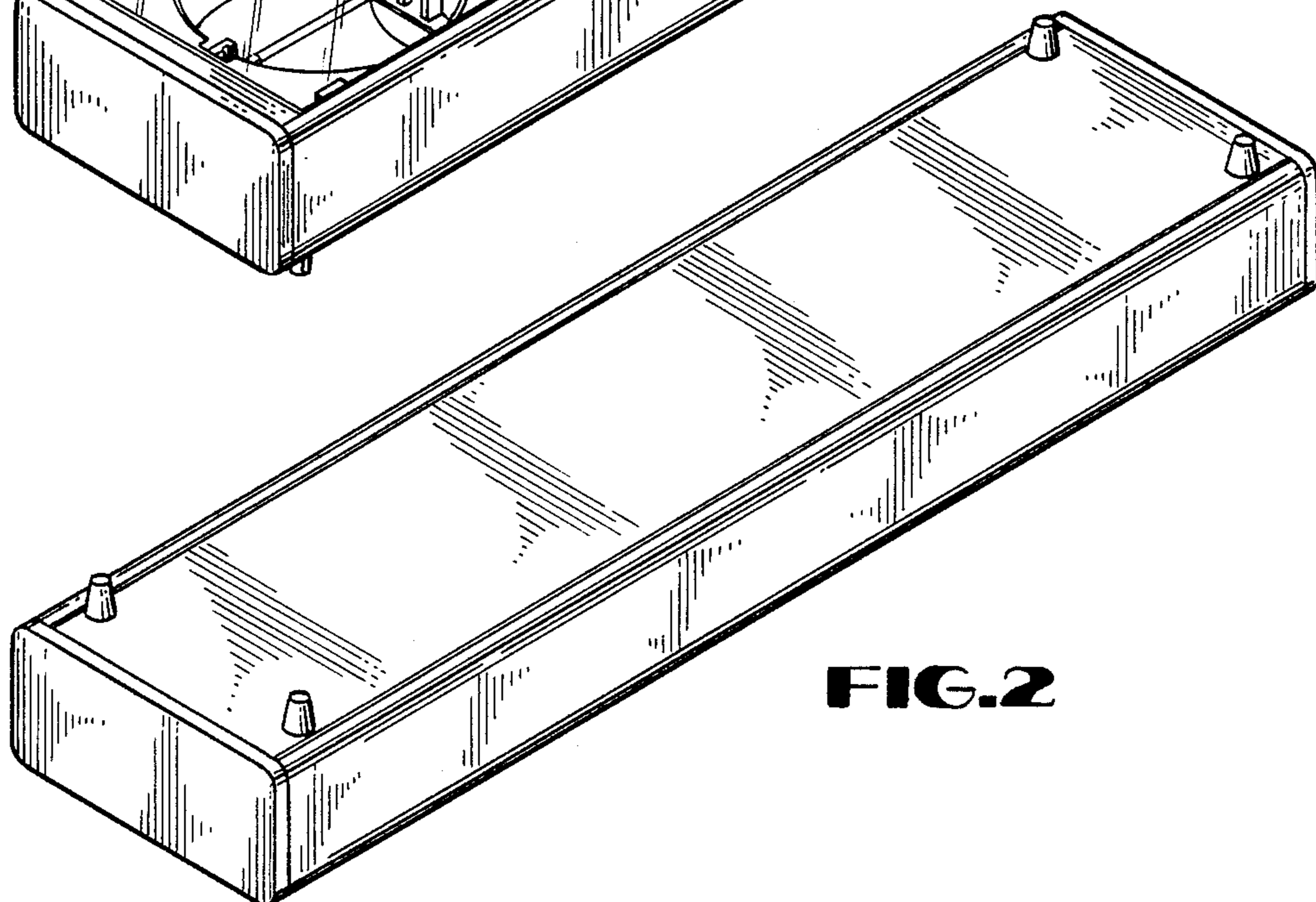


FIG. 2

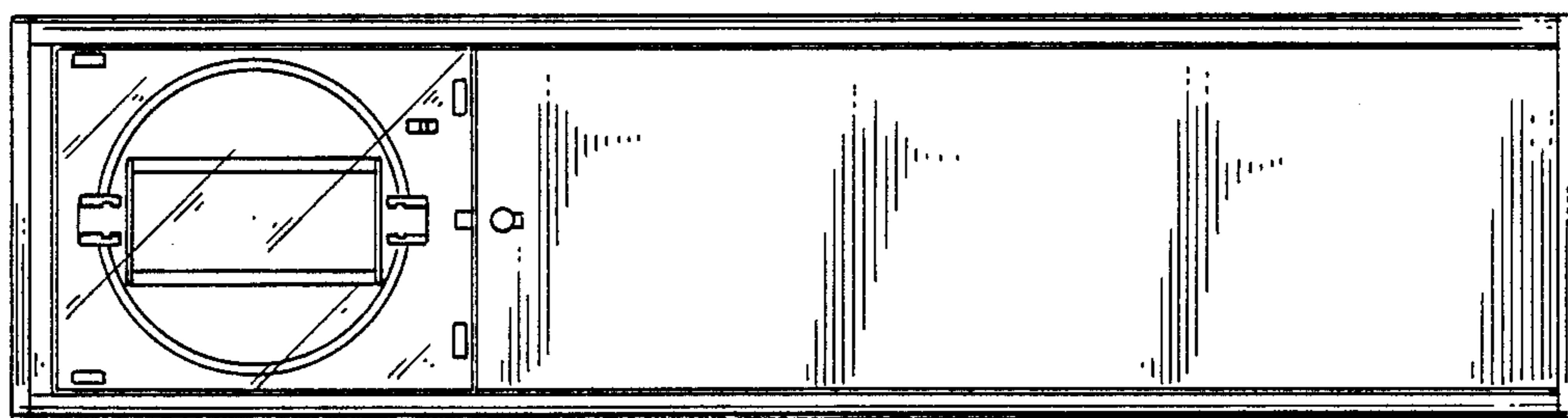


FIG. 3

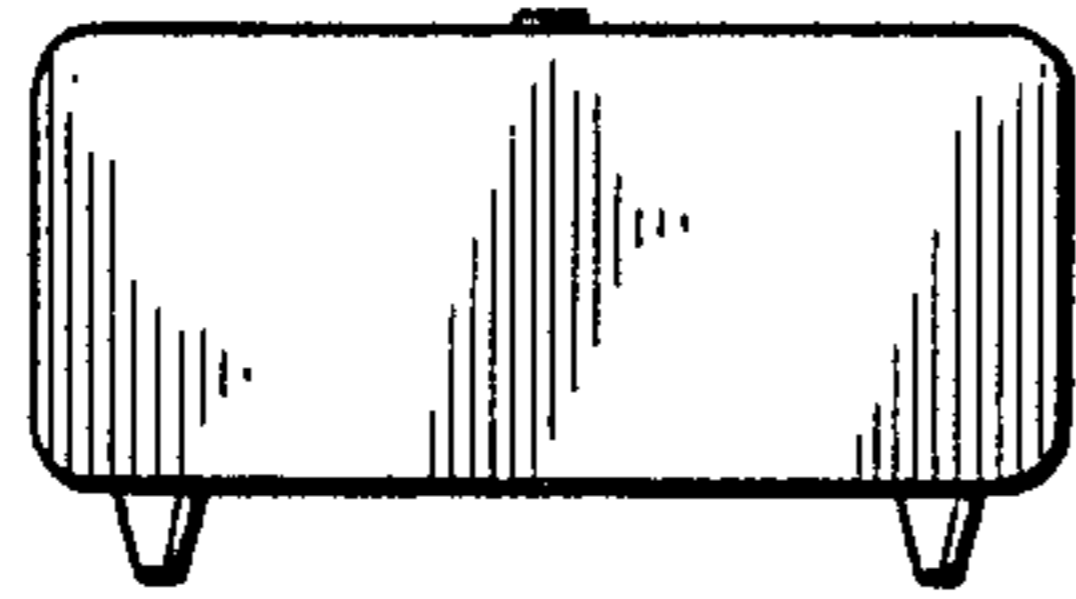


FIG. 4

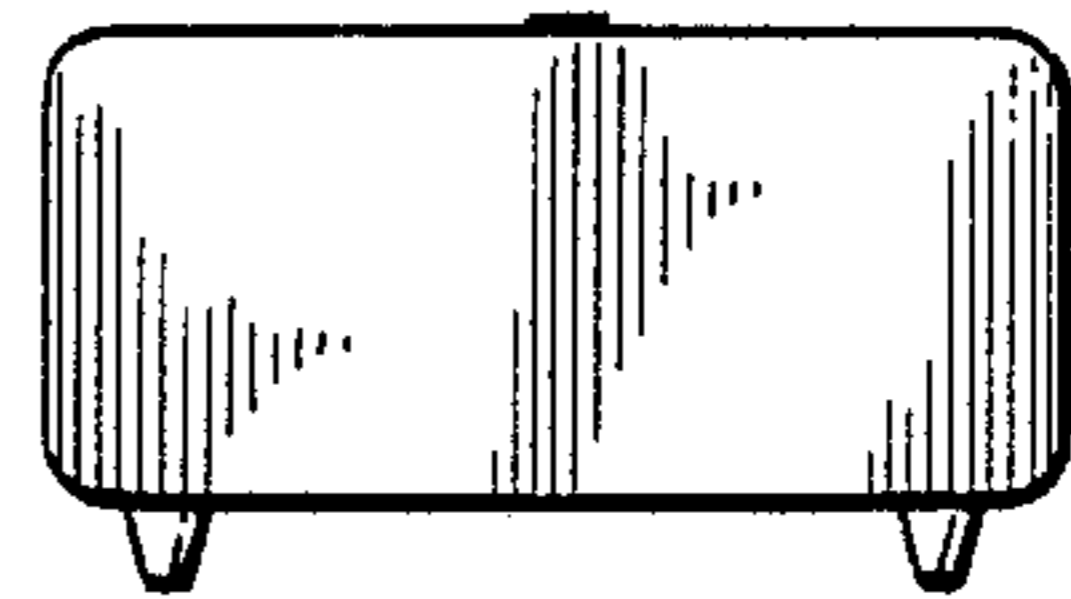


FIG. 5

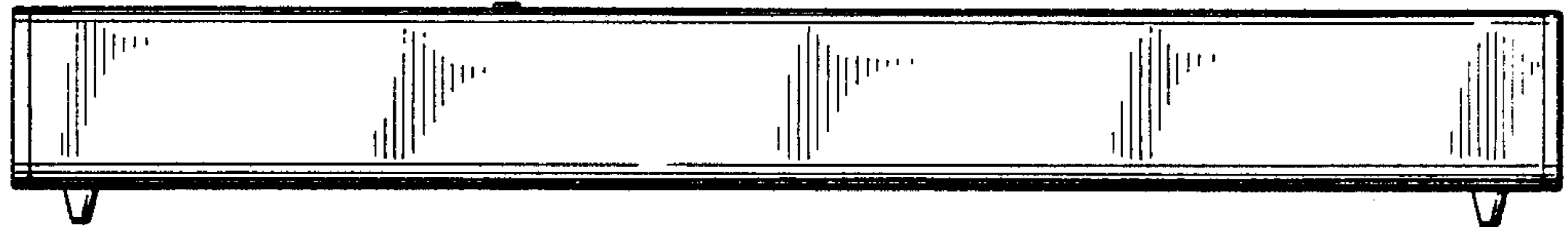


FIG. 6

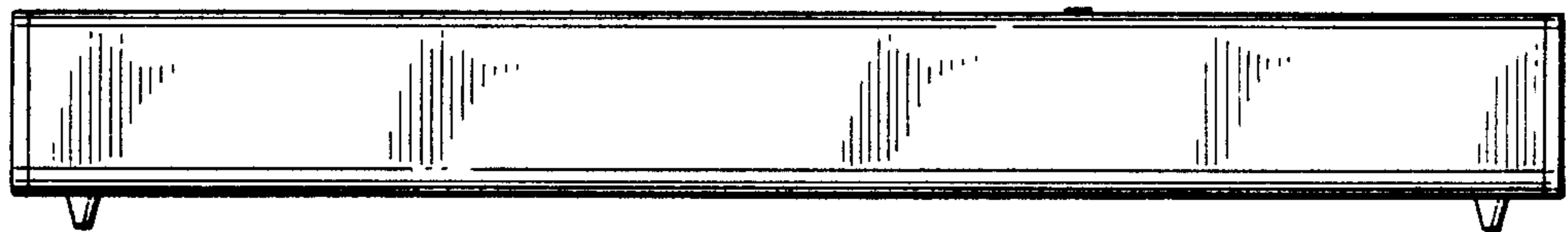


FIG. 7

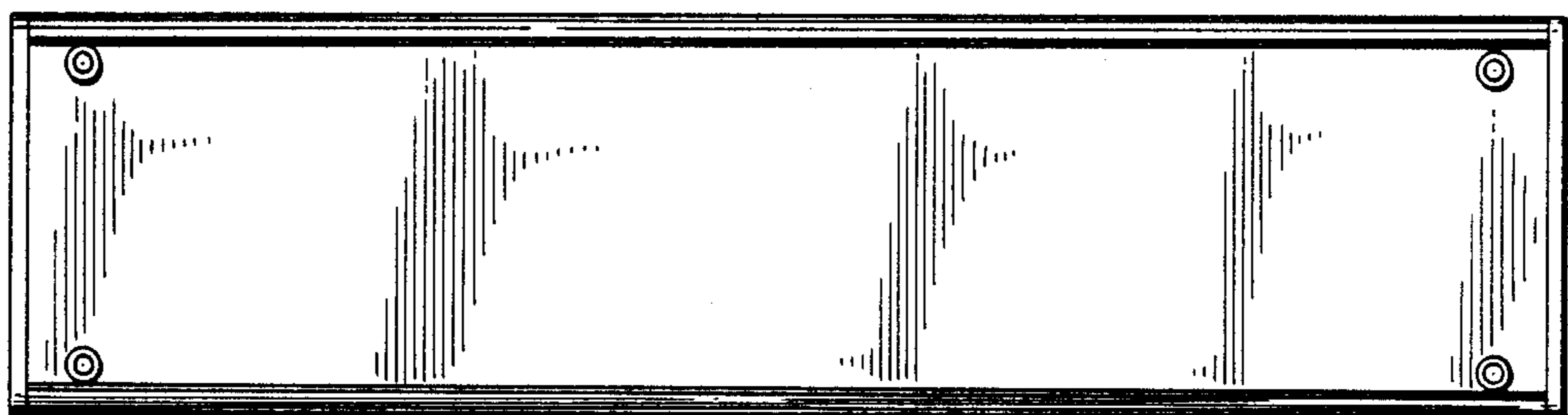


FIG. 8