

[54] LIGHT BULB ASSEMBLY FOR ELONGATED THEATER AISLE LIGHT OR THE LIKE

[75] Inventor: Tom Nagano, Cerritos, Calif.

[73] Assignee: Tivoli Industries, Inc., Santa Ana, Calif.

[**] Term: 14 Years

[21] Appl. No.: 197,392

[22] Filed: May 23, 1988

[52] U.S. Cl. D26/2; D26/24

[58] Field of Search 362/227, 235, 236, 240, 362/241, 244, 246, 249, 216, 226, 432; D26/24, 60, 1, 2

[56] References Cited

U.S. PATENT DOCUMENTS

- 3,474,381 10/1969 Baldwin .
- 4,158,221 6/1979 Agabekov .
- 4,204,273 5/1980 Goldberg .
- 4,471,415 9/1984 Larson et al. 362/249 X
- 4,482,944 11/1984 Roossine et al. .
- 4,521,838 6/1985 Agabekov .
- 4,569,568 2/1986 Agabekov .
- 4,575,785 3/1986 Lerude et al. 362/226
- 4,628,421 12/1986 Saar .
- 4,628,422 12/1986 Ewald 362/240
- 4,654,765 3/1987 Laidman .

OTHER PUBLICATIONS

Liteform—The First Tub Lighting with Replaceable Bulbs, 1986.

DecoLite—Advanced Low Voltage Lighting Products, date unknown.

Light Streams—A Tubular Lighting System, 1983.

Light Buds—Low Voltage Subminiature Lamps, 1979.

Light Channel—Low Voltage Subminiature Linear Lighting, 1985.

Microlume—Product brochure of Litelab Corp., 1984.

Primary Examiner—Susan J. Lucas

Attorney, Agent, or Firm—Knobbe, Martens, Olson & Bear

[57] CLAIM

The ornamental design for light bulb assembly for elongated theater aisle light or the like, as shown and described.

DESCRIPTION

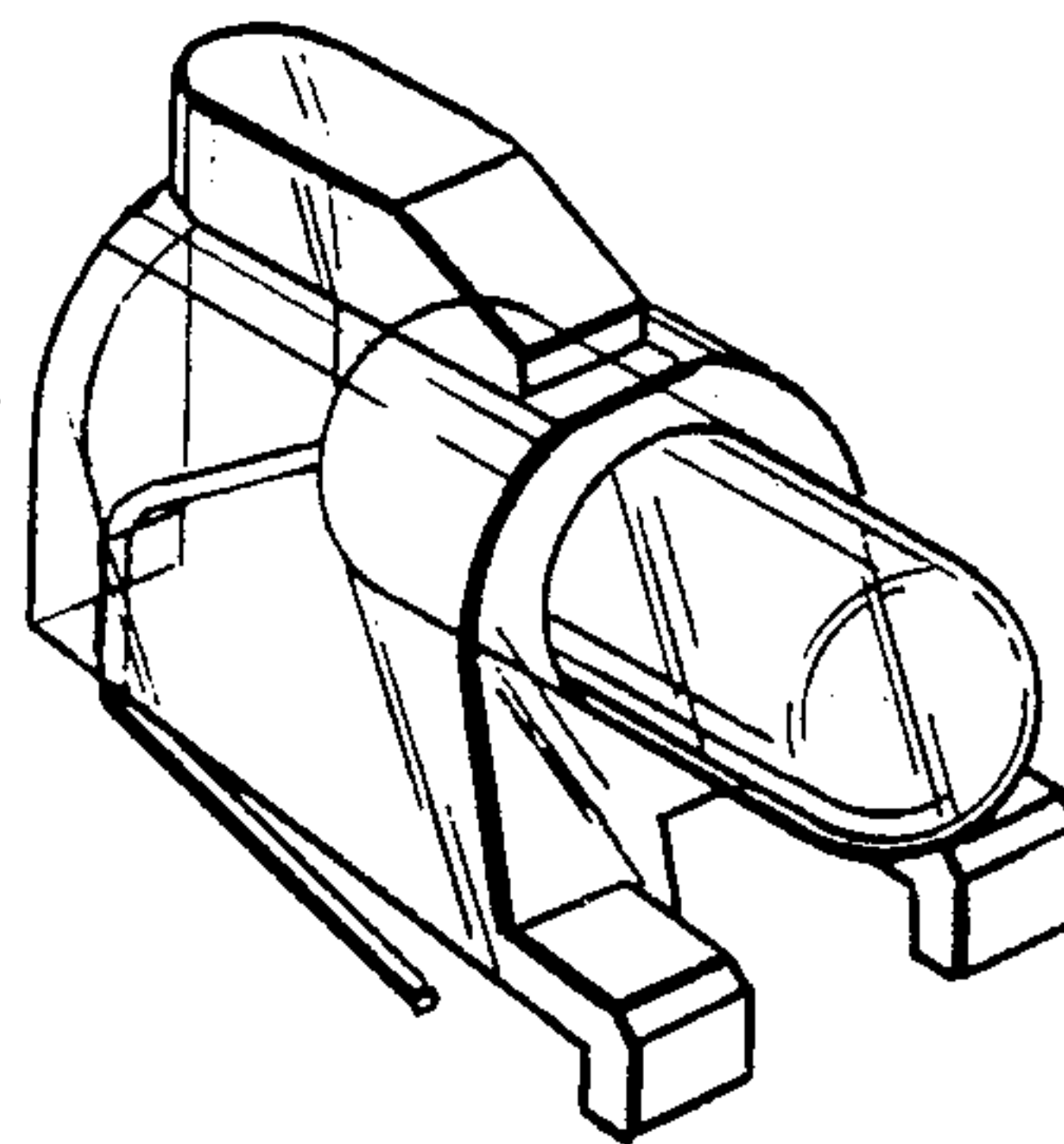
FIG. 1 is a top, front perspective view of a light bulb assembly for elongated theater aisle light or the like showing my new design;

FIG. 2 is a bottom, rear perspective view thereof;

FIG. 3 is a side elevational view thereof on an enlarged scale, the opposite side being a mirror image;

FIG. 4 is a rear elevational view thereof on an enlarged scale;

FIG. 5 is a front elevational view thereof on an enlarged scale.



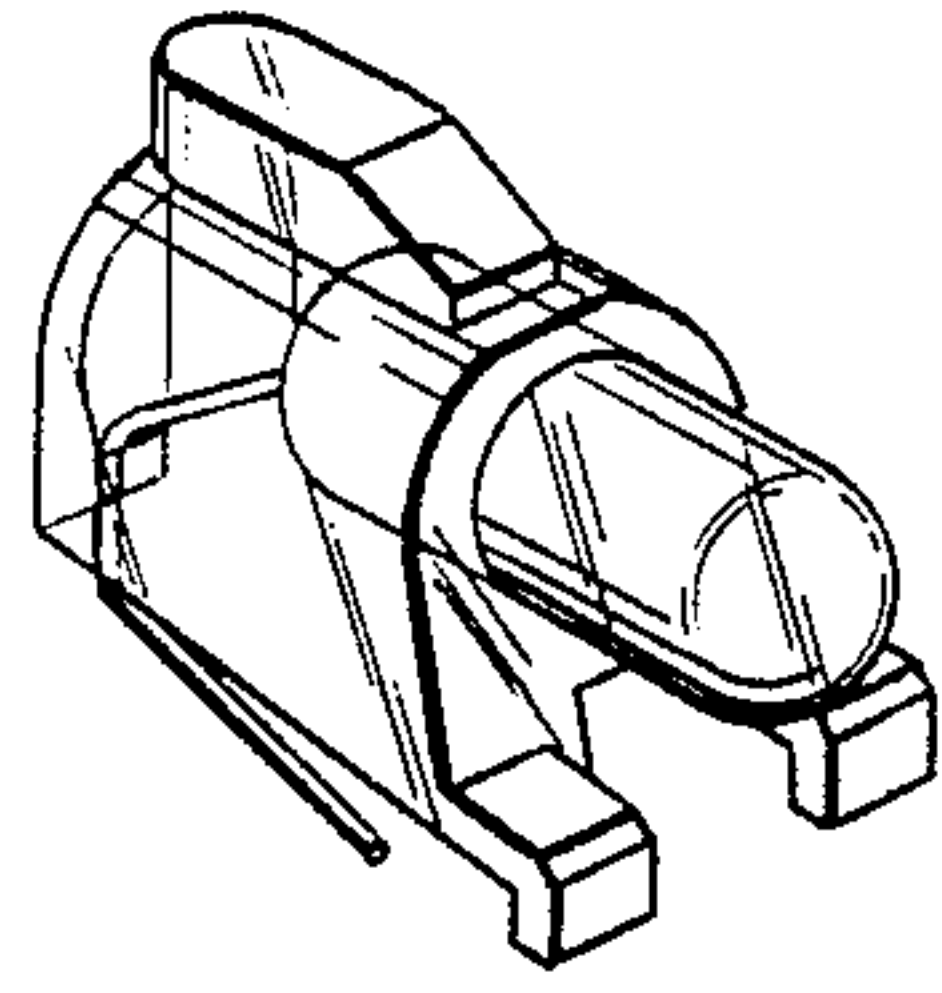


Fig. 1

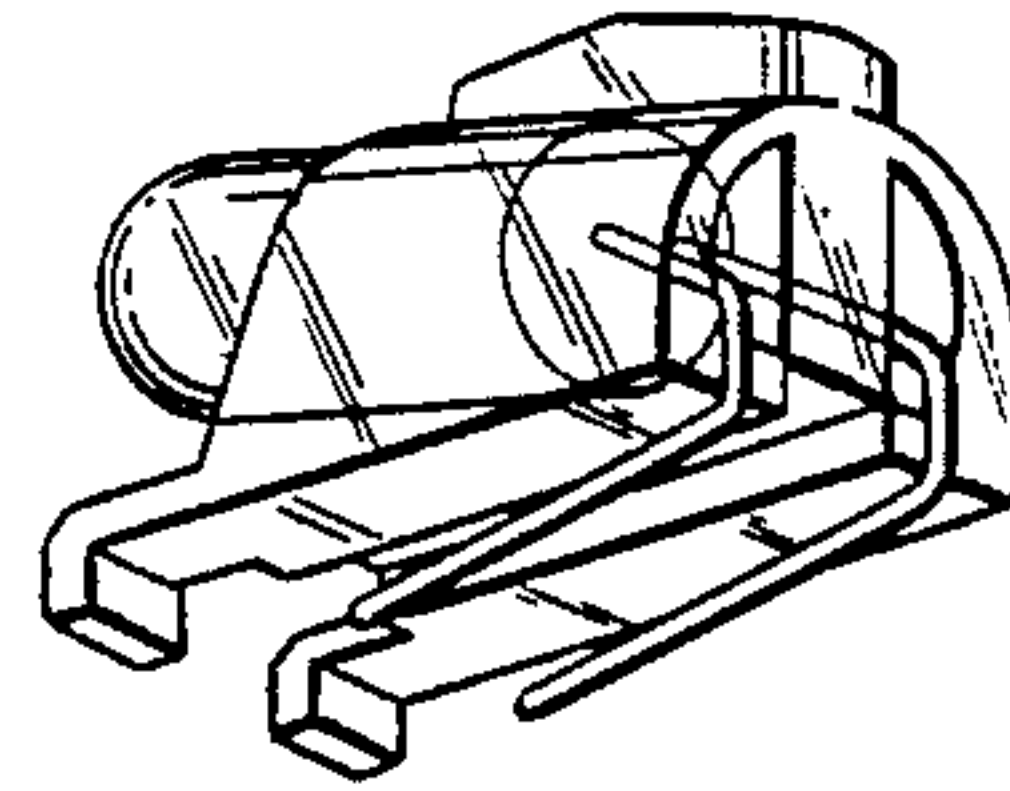


Fig. 2

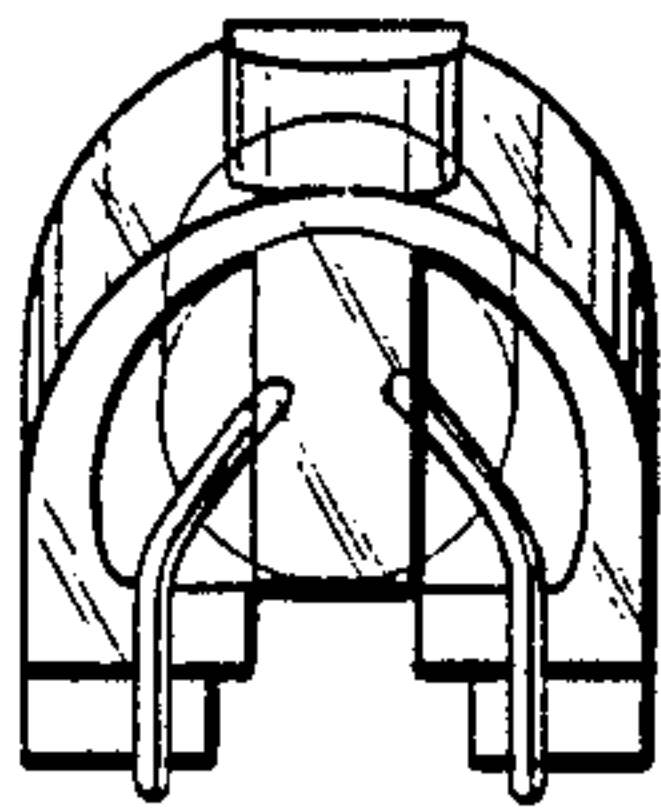


Fig. 4

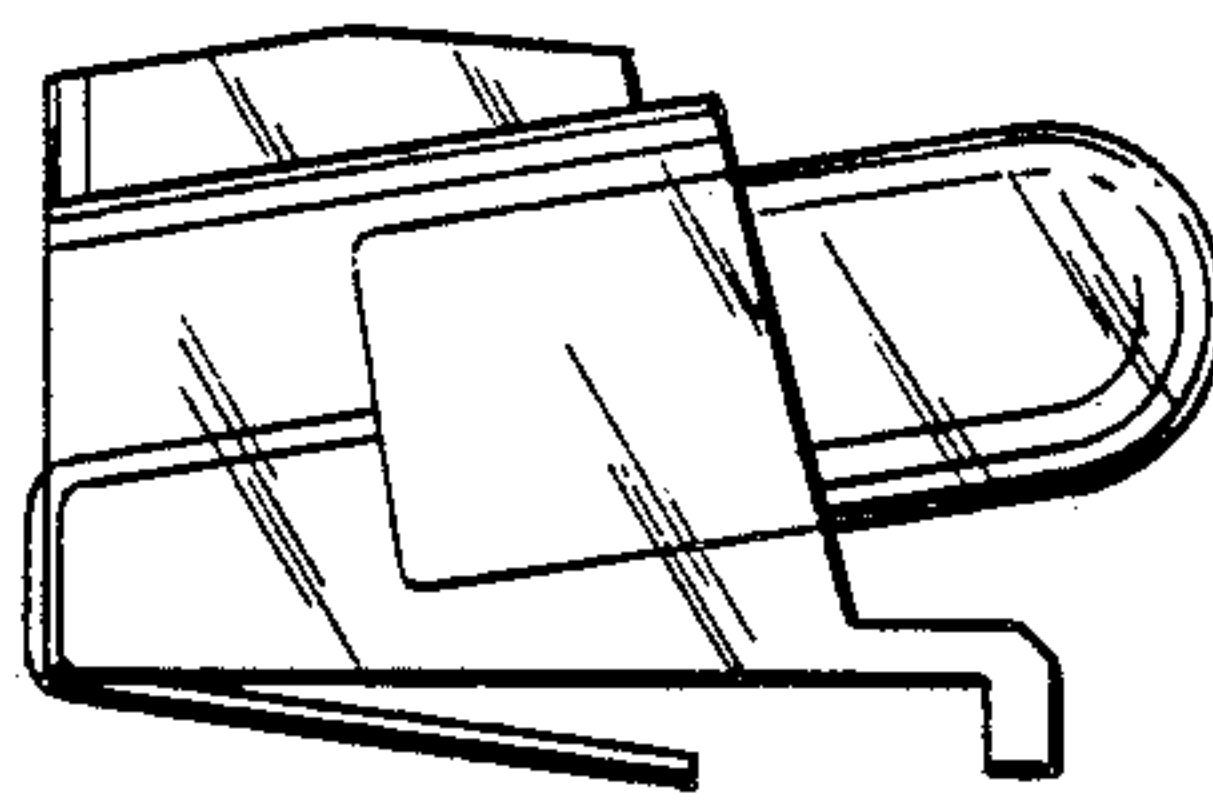


Fig. 3

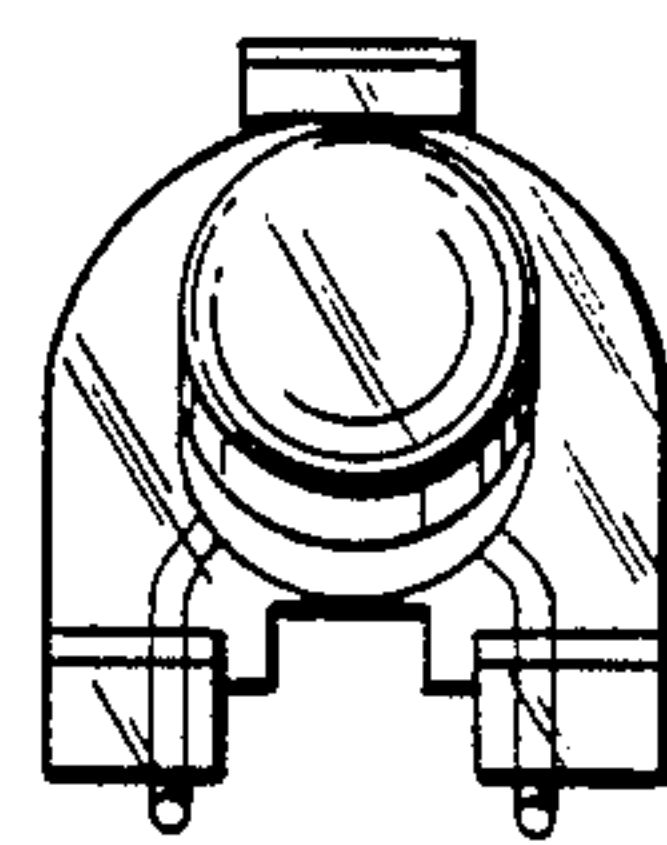


Fig. 5