

[54] WINDOW COMPONENT EXTRUSION

[75] Inventors: Dennis Westphal, Galva; Jonathan Piles, McPherson, both of Kans.

[73] Assignee: CertainTeed Corporation, Valley Forge, Pa.

[**] Term: 14 Years

[21] Appl. No.: 246,189

[22] Filed: Sep. 19, 1988

[52] U.S. Cl. D25/119

[58] Field of Search D25/47, 52, 60, 119, D25/121, 122, 124; 49/501, 502, 504, DIG. 1, DIG. 2; 52/230, 231, 732, 738

[56] References Cited

U.S. PATENT DOCUMENTS

- D. 216,955 3/1970 Dailleire .
- D. 222,932 2/1972 Dailleire .
- D. 222,994 2/1972 Dailleire .
- D. 225,219 11/1972 Dailleire .
- D. 226,904 5/1973 Dailleire .
- D. 250,483 12/1978 Dailleire D25/60
- D. 258,615 3/1981 Dailleire .
- D. 258,619 3/1981 Dailleire .
- D. 259,810 7/1981 Dailleire .
- D. 263,753 4/1982 Dailleire .
- D. 263,754 4/1982 Dailleire .
- D. 263,755 4/1982 Dailleire .

- D. 266,949 11/1982 Goldhaber .
- D. 270,764 9/1983 Kenin D25/119
- D. 283,349 4/1986 Slocomb, Jr. .
- D. 285,610 9/1986 Slocomb, Jr. .
- D. 286,186 10/1986 Bancroft .
- D. 289,552 4/1987 Hardy D25/124
- D. 291,007 7/1987 Reisinger et al. .
- D. 291,008 7/1987 Reisinger et al. .
- D. 292,737 10/1987 Reisinger et al. .
- D. 292,829 11/1987 Reisinger et al. .
- D. 300,367 3/1989 Reisinger et al. .
- D. 300,368 3/1989 Reisinger et al. .
- D. 300,369 3/1987 Reisinger et al. .
- D. 300,370 3/1987 Reisinger et al. .
- 3,334,463 8/1967 Muessel D25/124
- 3,363,390 1/1968 Crane et al. .
- 3,475,870 3/1966 Birum, Jr. .
- 4,040,219 8/1977 Budich .
- 4,110,942 9/1978 Slocomb, Jr. .
- 4,752,517 6/1988 Beitel 49/501

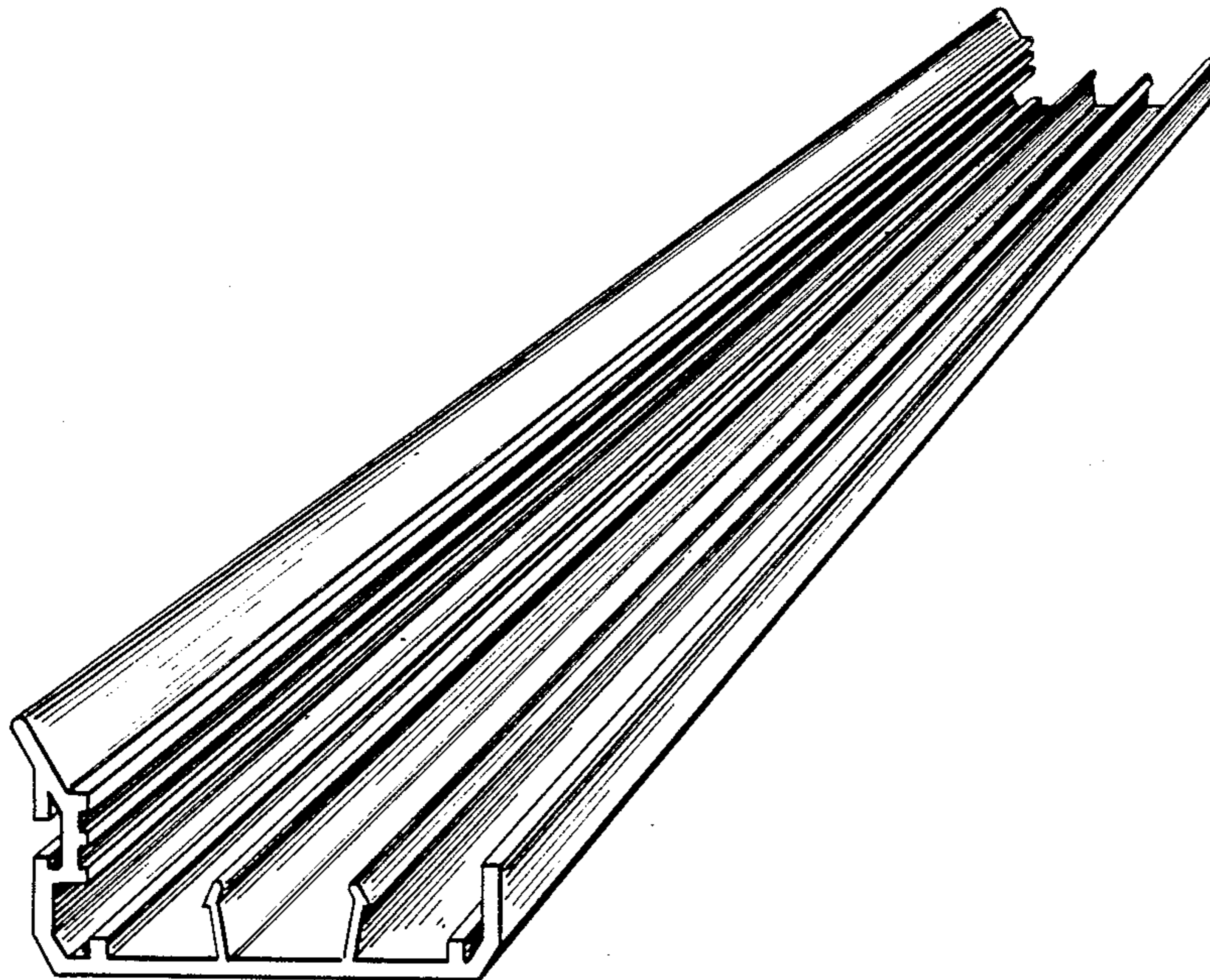
Primary Examiner—A. Hugo Word
Assistant Examiner—Doris Clark
Attorney, Agent, or Firm—Paul & Paul

[57] CLAIM

The ornamental design for a window component extrusion, as shown and described.

DESCRIPTION

The FIGURE is a front perspective view of a window component extrusion showing our new design, the rear perspective view being a mirror image thereof.



U.S. Patent

Nov. 13, 1990

D312,133

