

[54] SURGICAL DRAINAGE UNIT

[75] Inventor: Michael Jaron, Des Plaines, Ill.

[73] Assignee: Uresil Corporation, Skokie, Ill.

[\*\*] Term: 14 Years

[21] Appl. No.: 97,085

[22] Filed: Sep. 16, 1987

[52] U.S. Cl. .... D24/51

[58] Field of Search ..... D24/8, 51, 23; 128/767; 604/317-321, 323, 133, 216

[56] References Cited

U.S. PATENT DOCUMENTS

D. 237,549	11/1975	Tillander et al. ....	D24/51
D. 305,065	12/1989	Büchel et al. ....	D24/51
3,376,868	4/1968	Mondiadis .....	604/133
3,830,238	8/1974	Kurtz et al. ....	604/318
4,529,402	7/1985	Weilbacher et al. ....	604/133

4,775,366 10/1988 Rosenblatt ..... 604/216 X

Primary Examiner—A. Hugo Word

Assistant Examiner—Stella M. Reid

Attorney, Agent, or Firm—Laff, Whitesel, Conte & Saret

[57] CLAIM

The ornamental design for a surgical drainage unit, as shown and described.

DESCRIPTION

FIG. 1 is a perspective view of the surgical drainage unit, showing my new design, the broken line is for illustrative purposes only and forms no part of the claimed design;

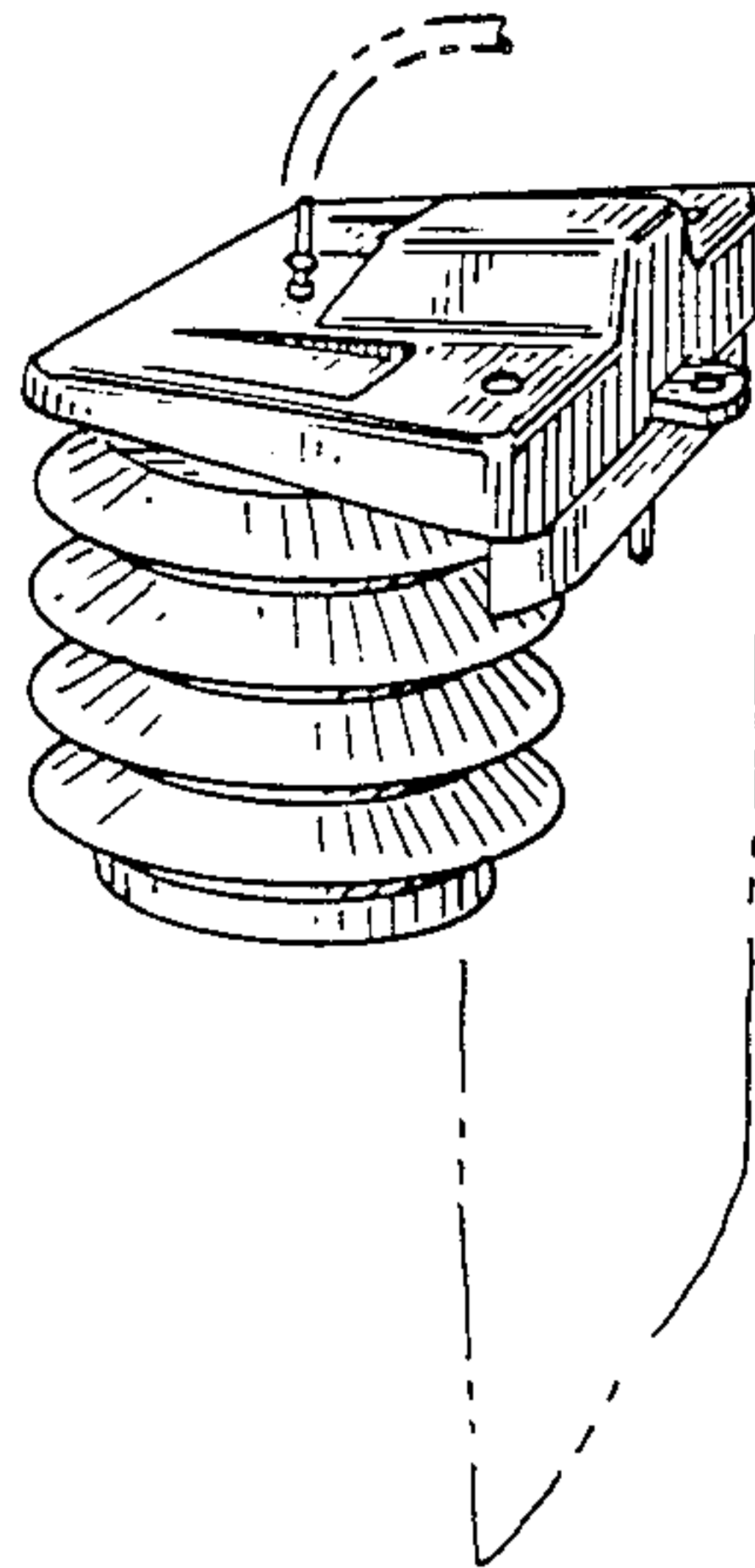
FIG. 2 is a top plan view thereof;

FIG. 3 is a left side elevational view thereof, the right side elevational view being identical thereto;

FIG. 4 is a front elevational view thereof;

FIG. 5 is a bottom plan view thereof; and

FIG. 6 is a top plan view thereof.



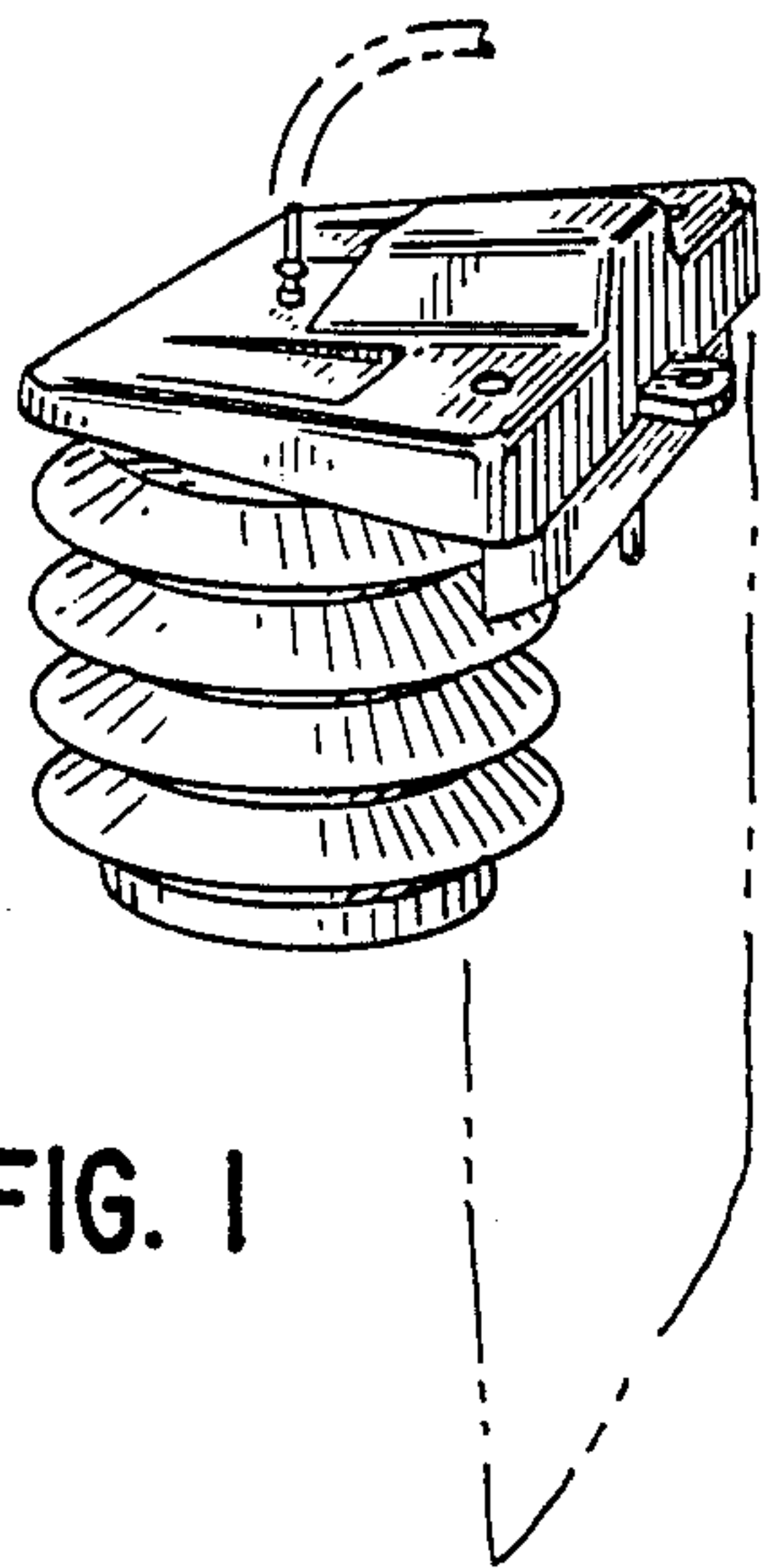


FIG. 1

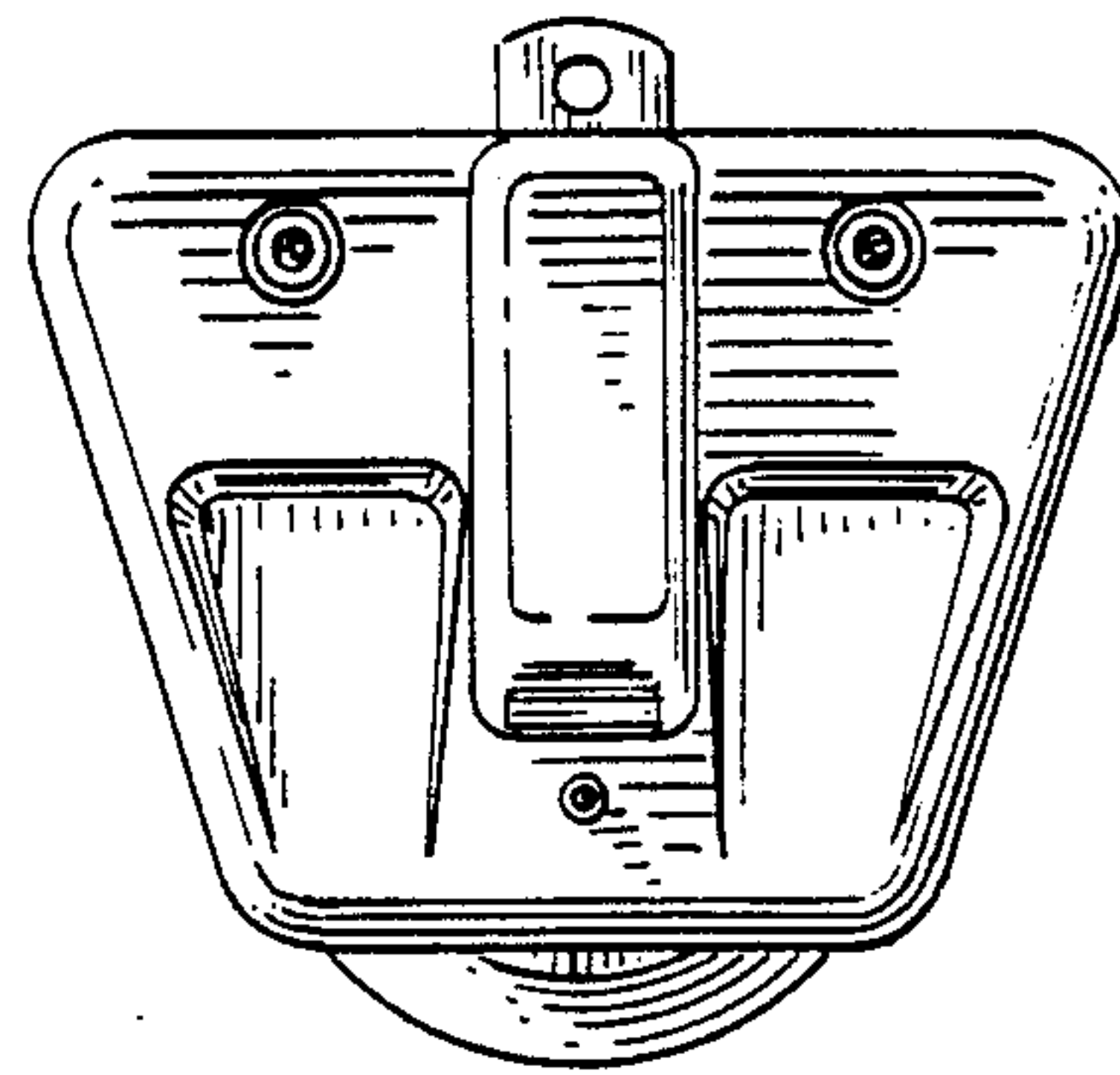


FIG. 2

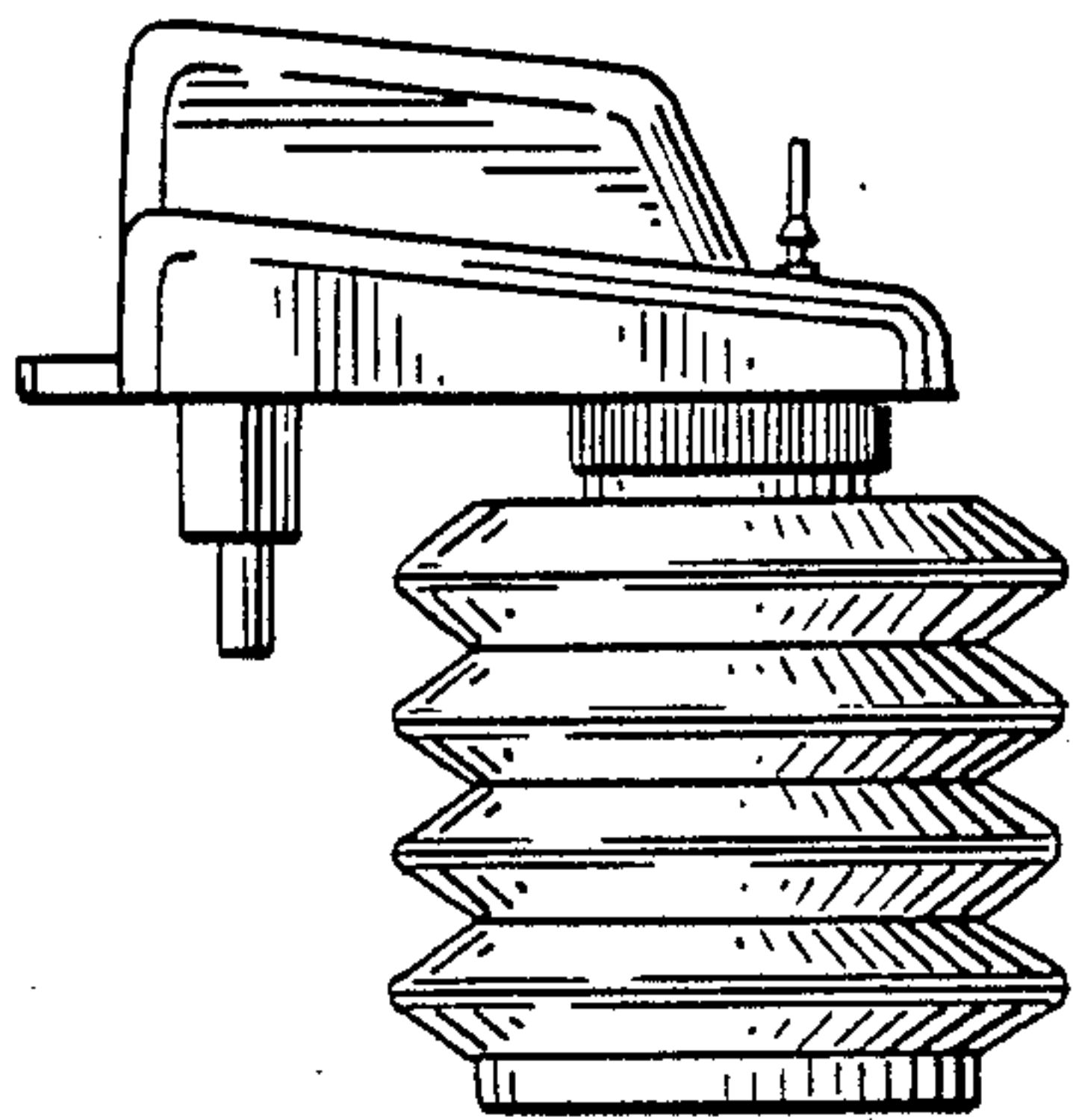


FIG. 3

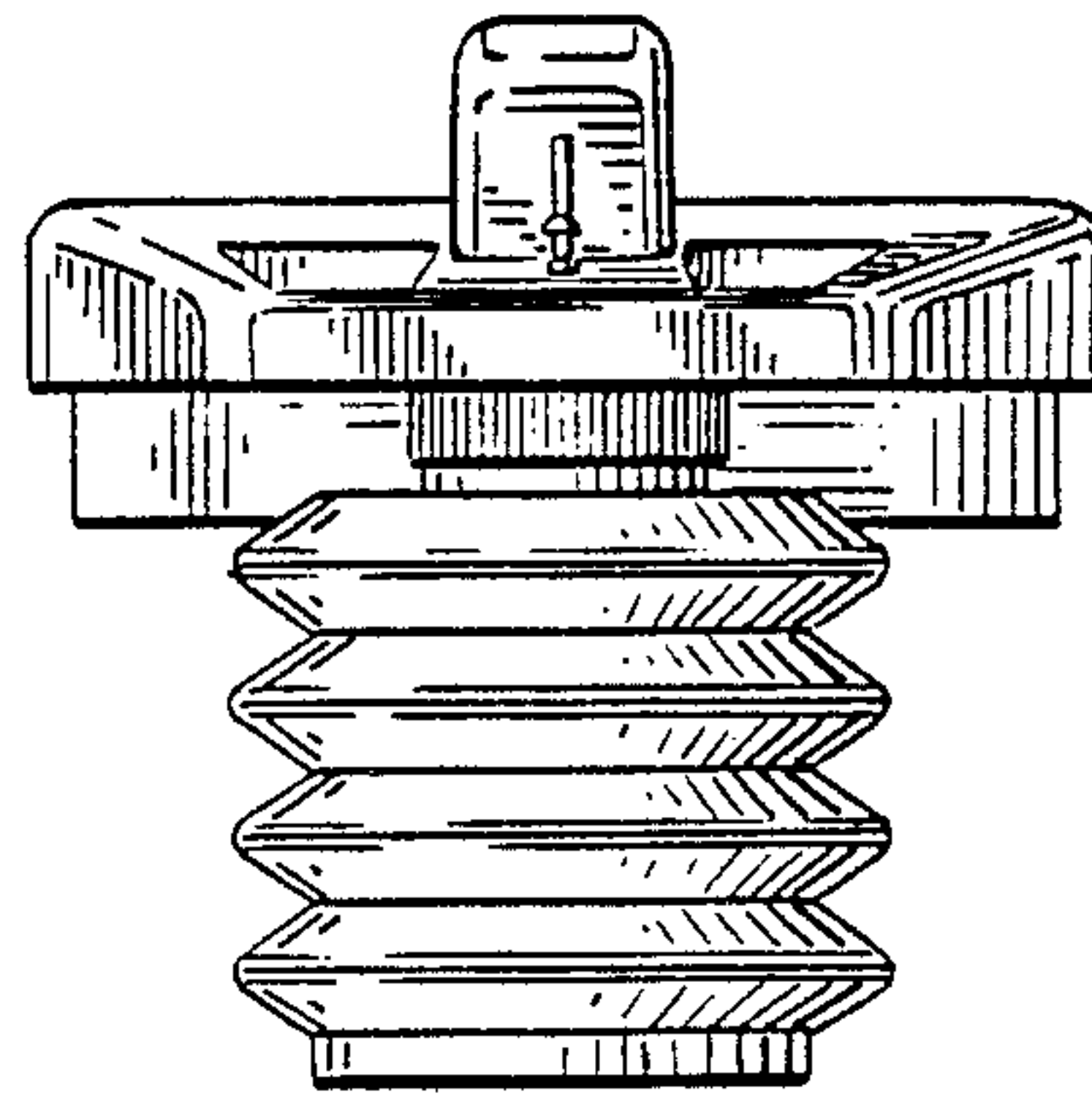


FIG. 4

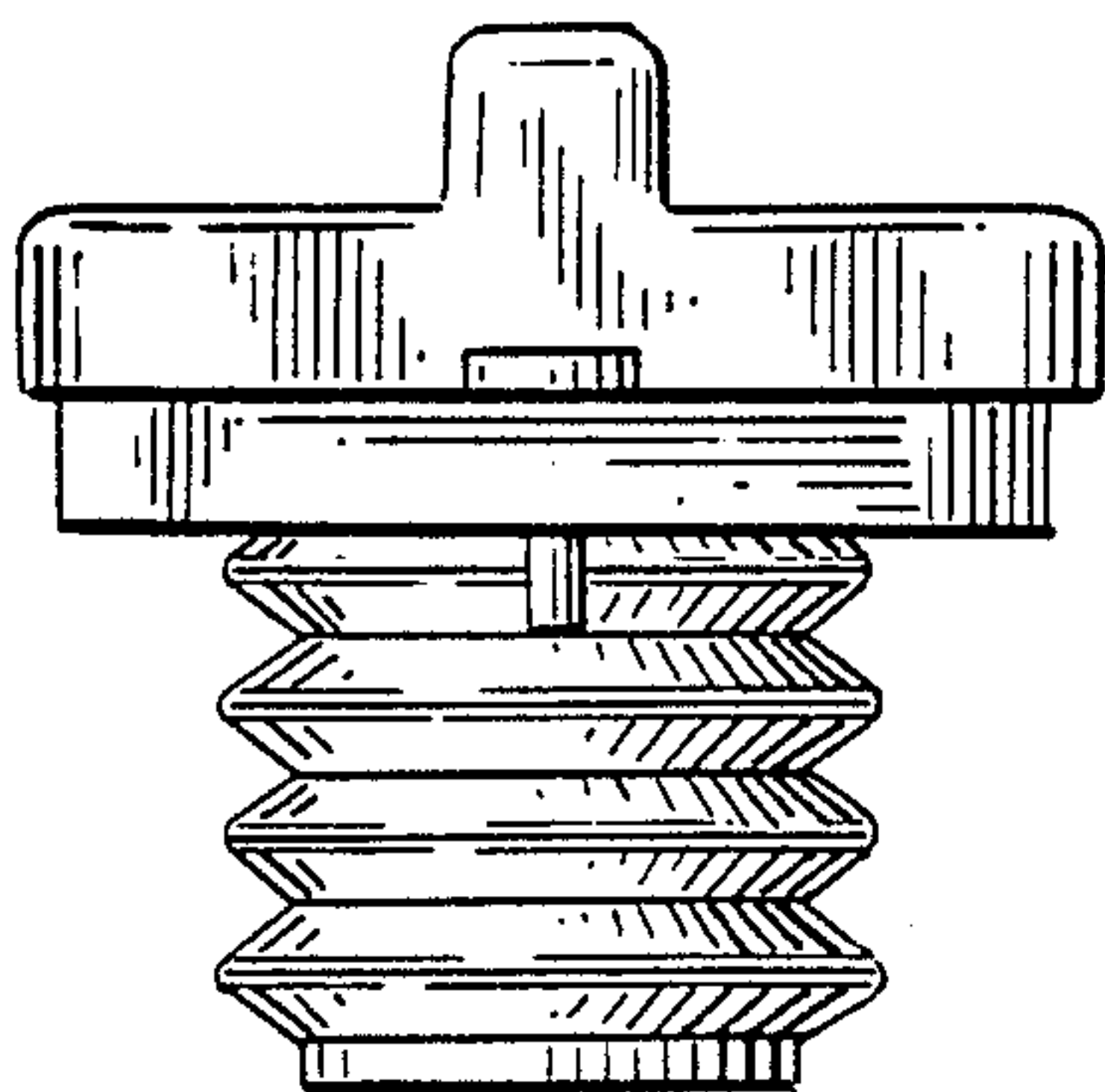


FIG. 5

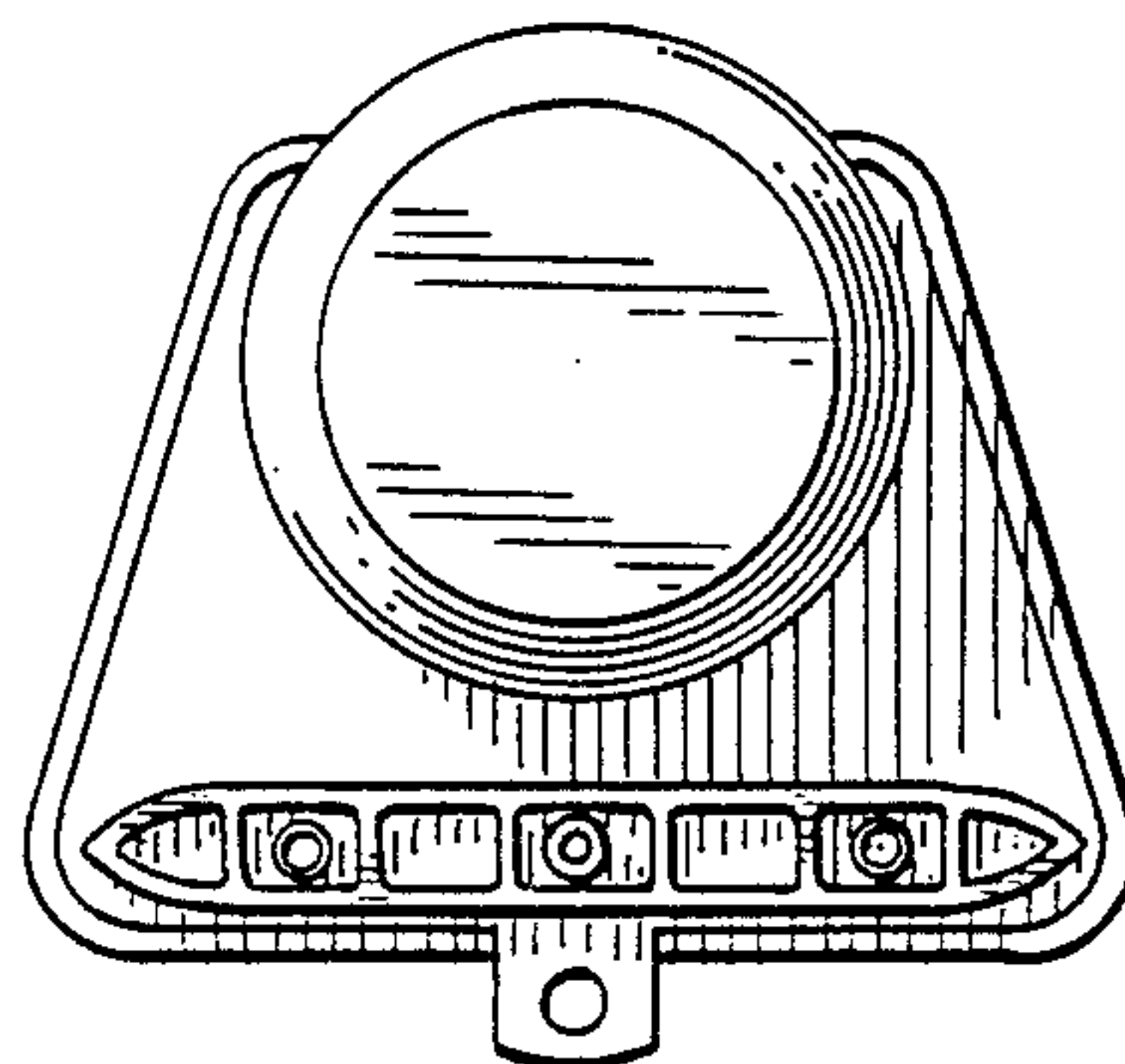


FIG. 6