

[54] LAVATORY

[75] Inventor: Axel Enthoven, Wijnegem, Belgium

[73] Assignee: American Standard Inc., New York, N.Y.

[**] Term: 14 Years

[21] Appl. No.: 34,111

[22] Filed: May 29, 1987

[52] U.S. Cl. D23/294

[58] Field of Search D23/284-294, D23/8, 308; 4/619, 628, 630, 631, 643, 654, 660

[56] References Cited

U.S. PATENT DOCUMENTS

D. 198,016	4/1964	Kaiser	D23/284
D. 201,344	6/1965	Stairs, Jr.	D23/294
D. 202,410	9/1965	Sundberg et al.	D23/294
D. 236,831	9/1975	Myers	D23/294
D. 258,079	1/1981	Primautt	D23/292
D. 258,906	4/1981	Doman	D23/292
D. 264,749	6/1982	Bengtson	D23/292

D. 266,577	10/1982	Kaiser	D23/292
D. 273,978	5/1984	Enthoven	D23/292
D. 274,164	6/1984	Enthoven	D23/292
2,767,407	10/1956	Weiss	D23/284 X
3,101,486	8/1963	Tiller	4/654
3,508,282	4/1970	Phillips, Jr.	4/628
4,646,370	3/1987	Risberg et al.	D23/308

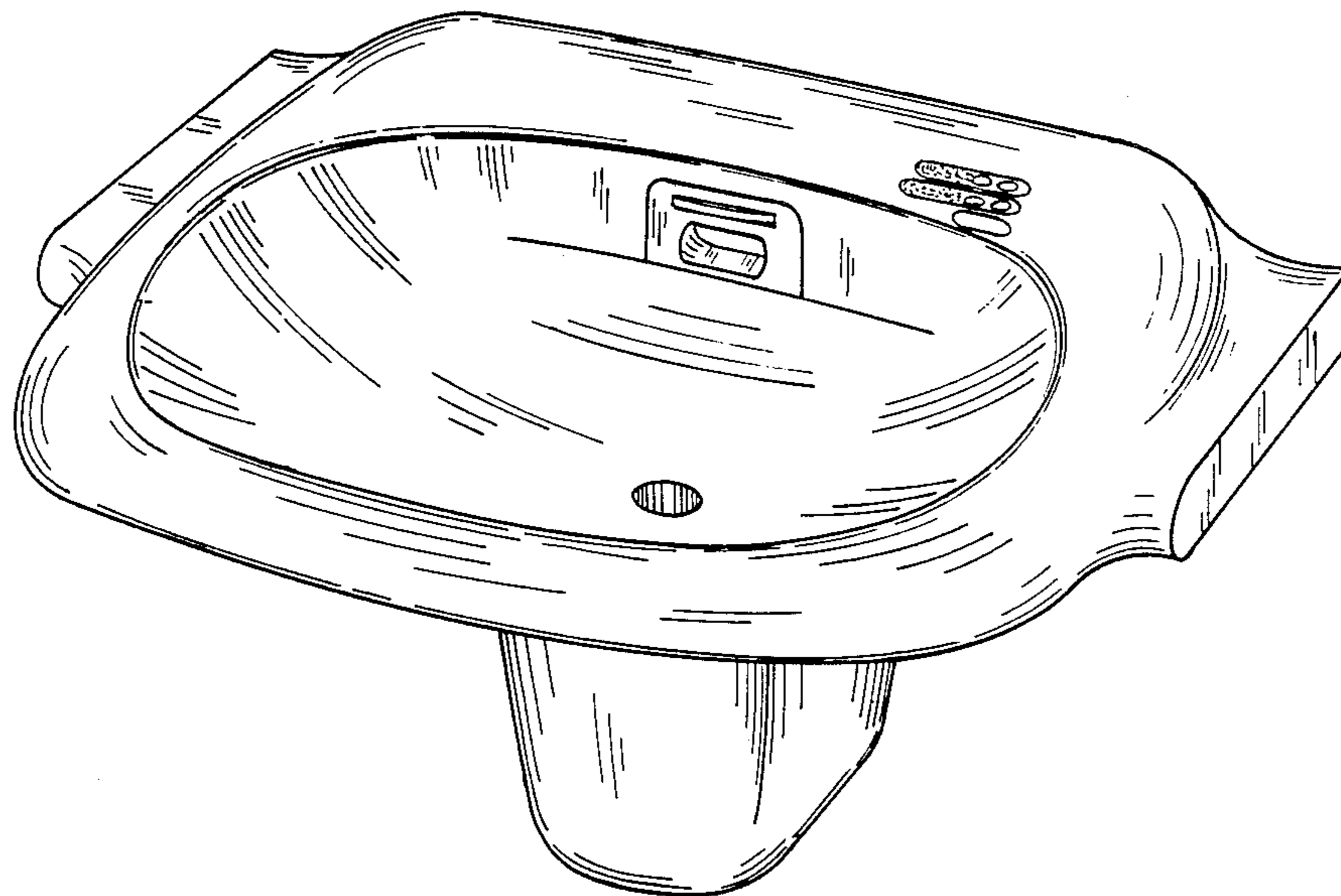
Primary Examiner—James R. Largen
Attorney, Agent, or Firm—John P. Sinnott

[57] CLAIM

The ornamental design for a lavatory, as shown and described.

DESCRIPTION

FIG. 1 is an isometric view taken from the top and front of a lavatory embodying my new design; FIG. 2 is a left side elevational view, the right side being a mirror image of the left side shown; FIG. 3 is a top plan view thereof; FIG. 4 is a bottom plan view thereof; FIG. 5 is a front elevational view thereof; and FIG. 6 is a rear elevational view thereof.



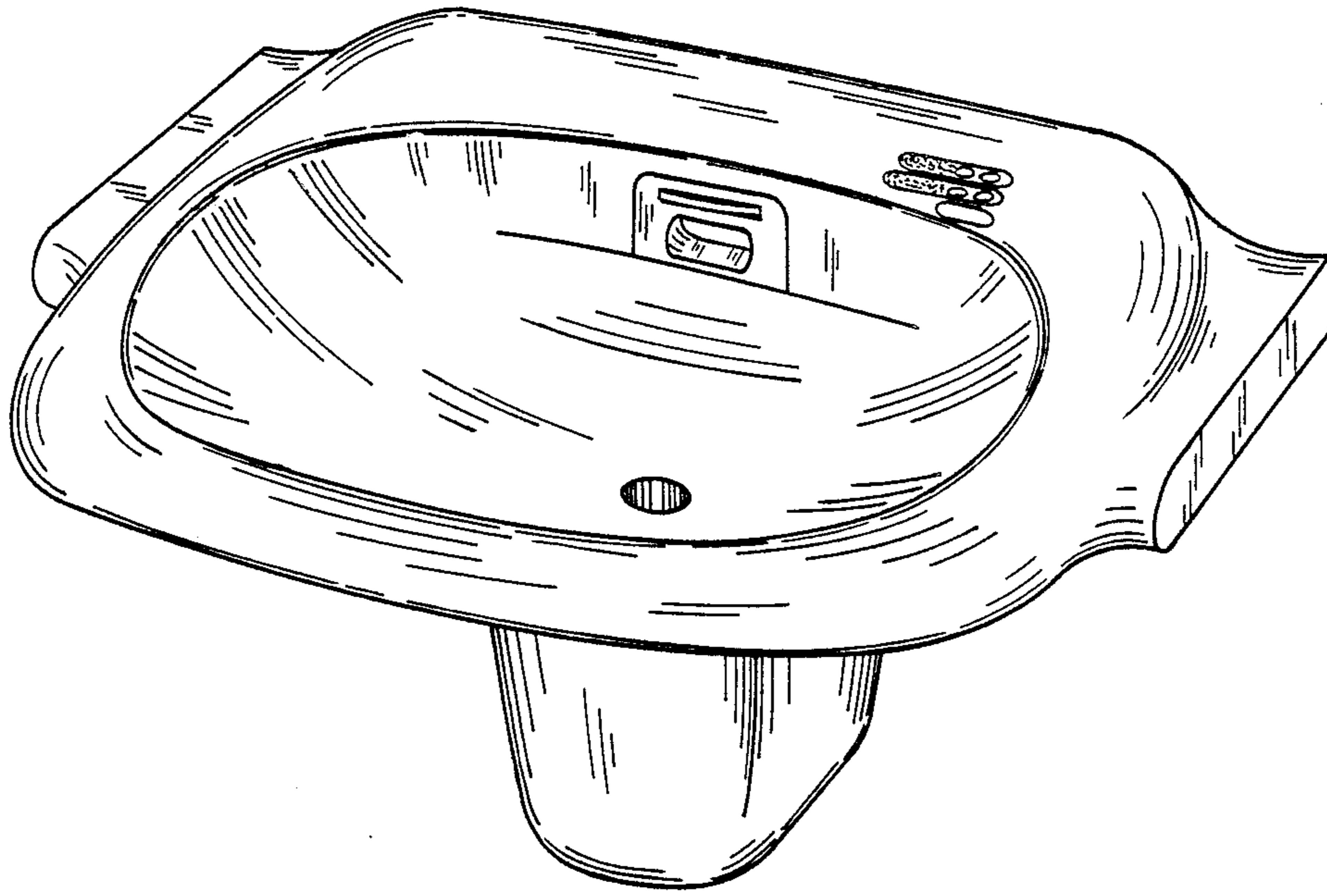


FIG. 1

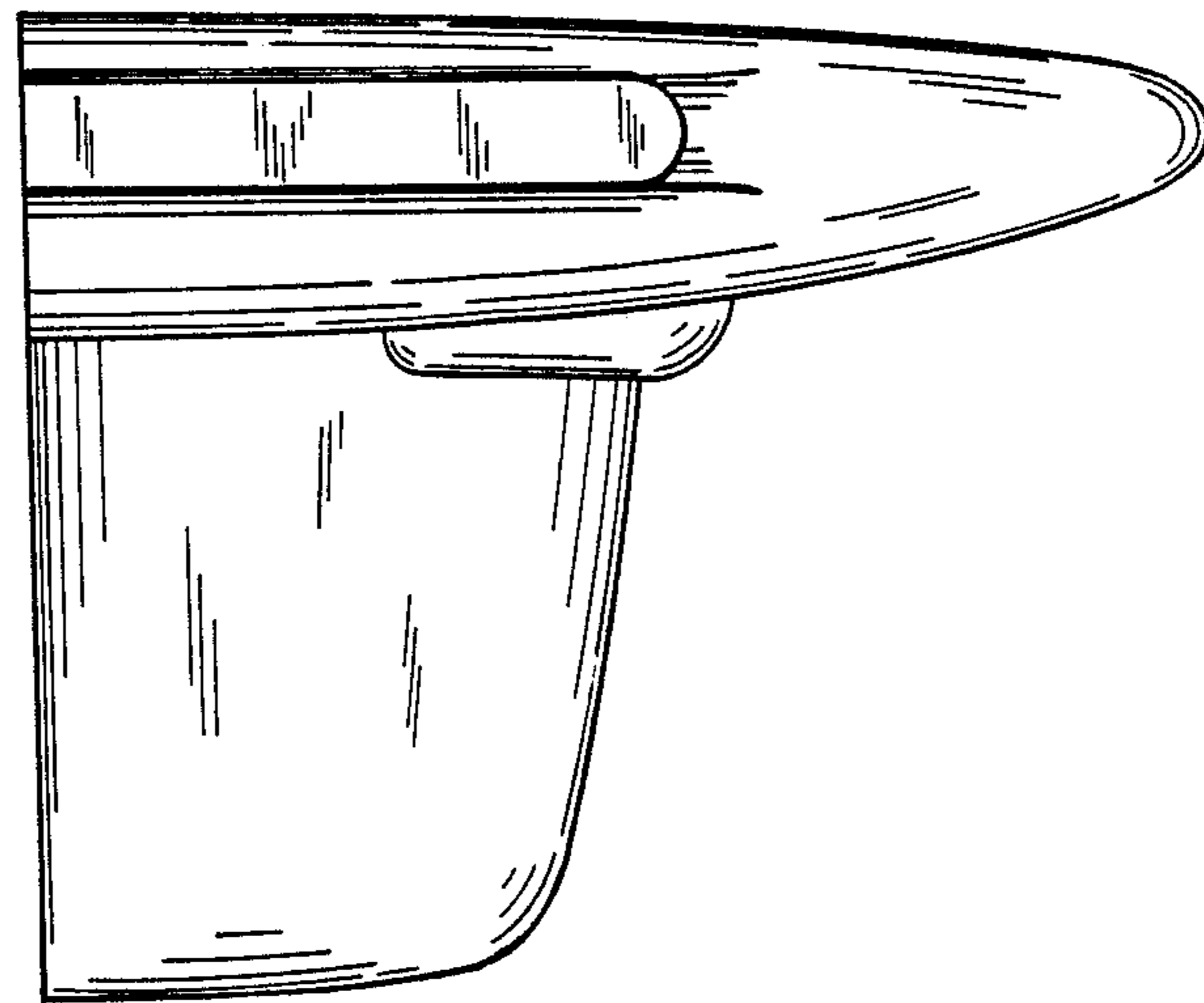


FIG. 2

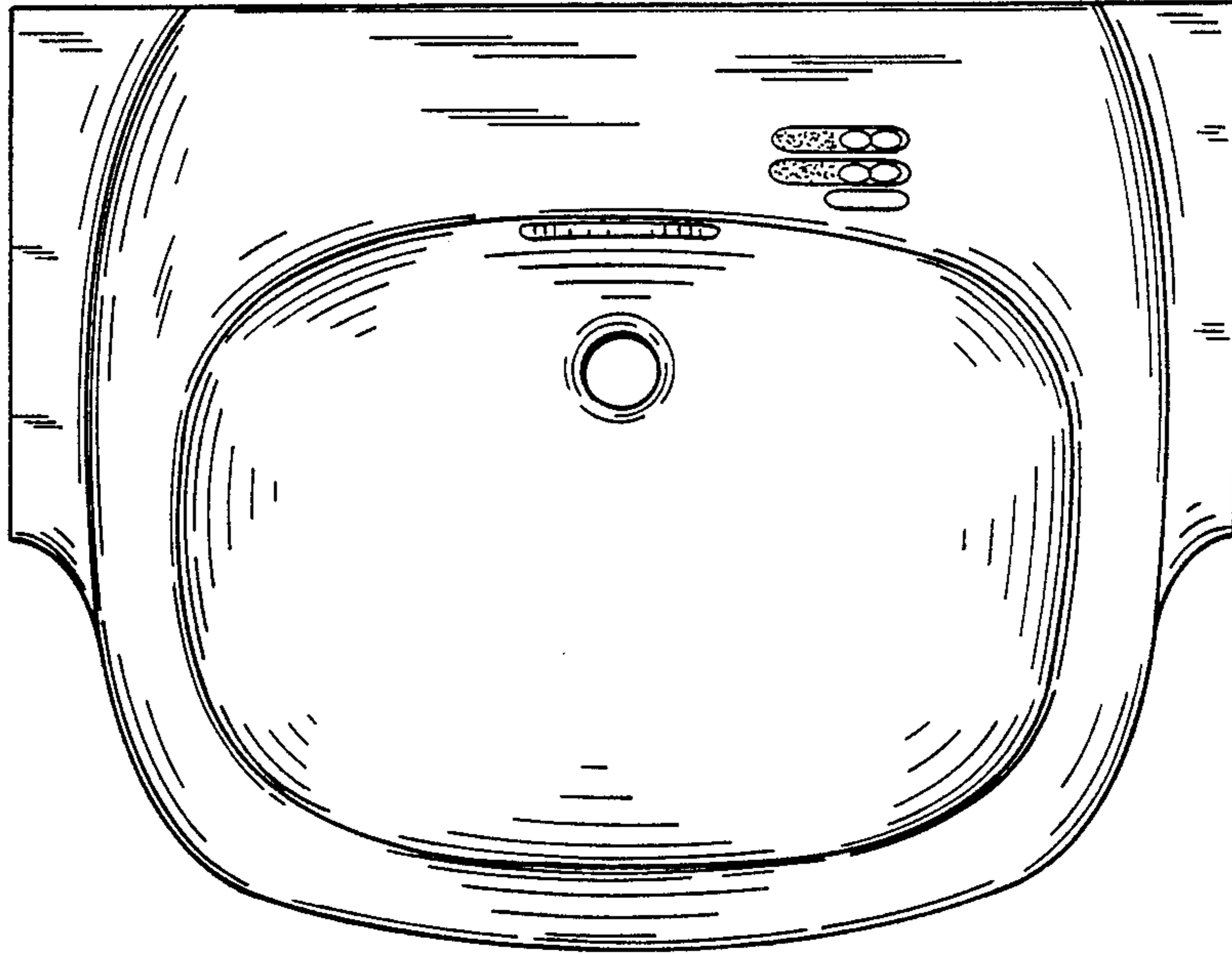


FIG. 3

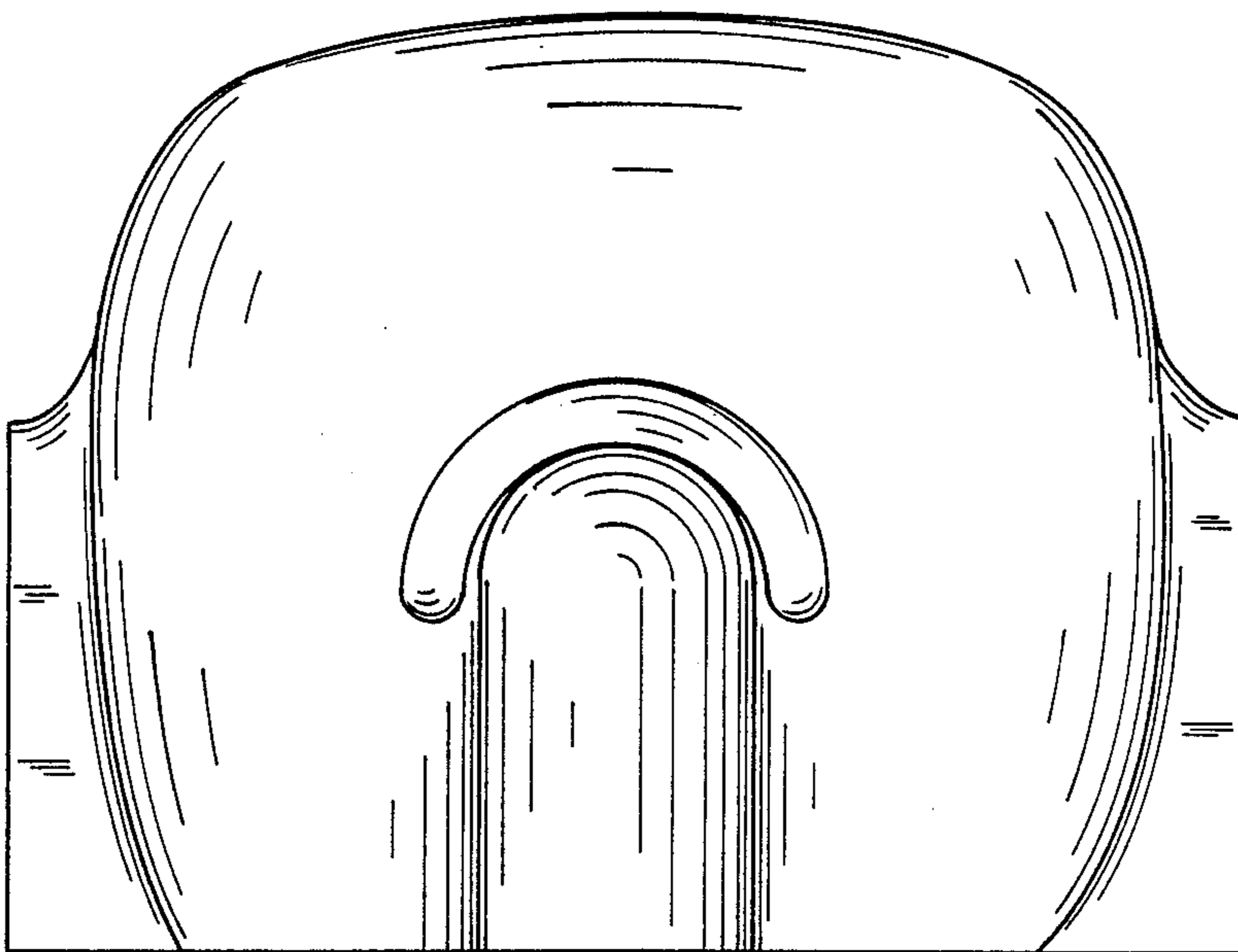


FIG. 4

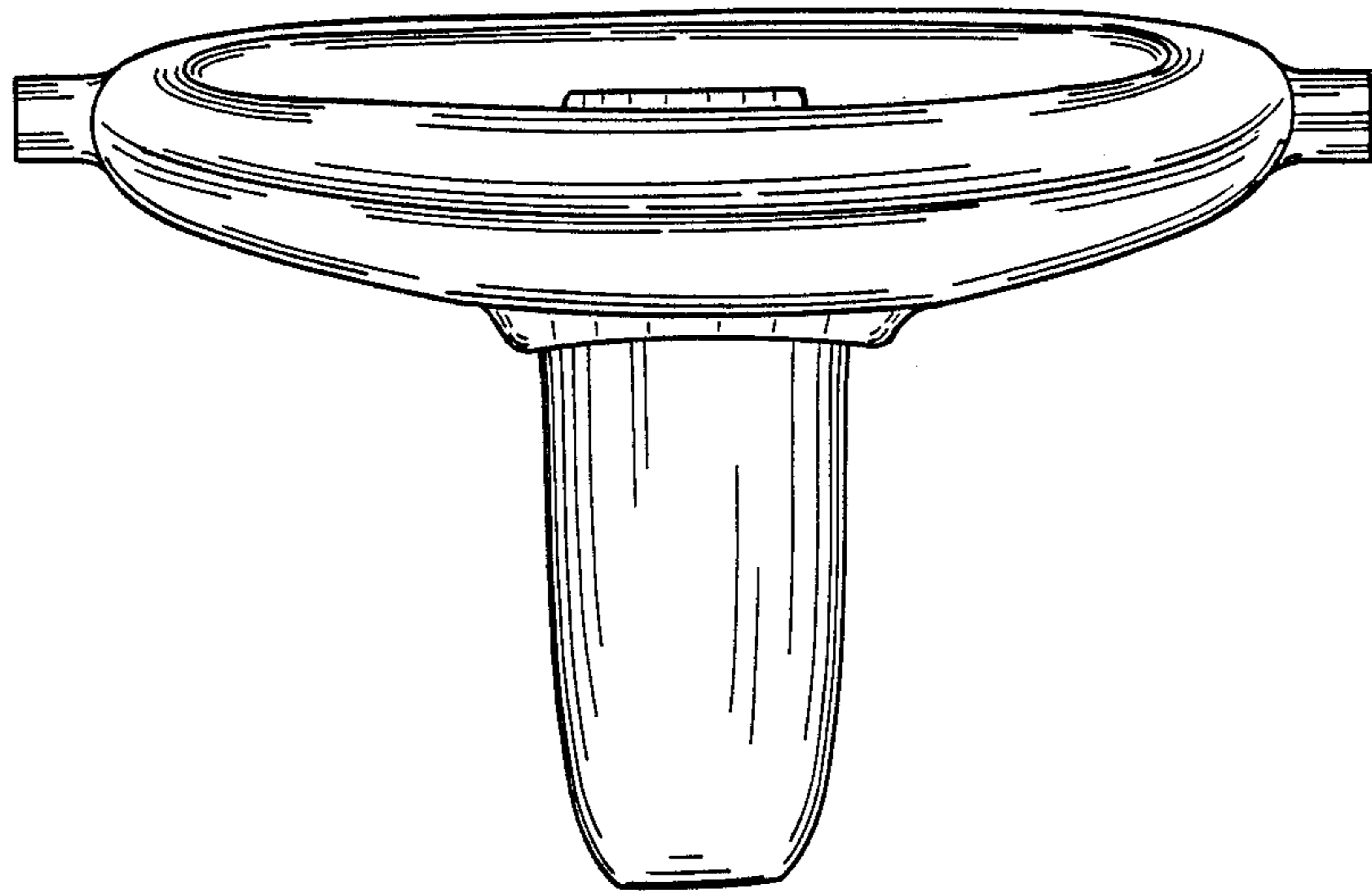


FIG. 5

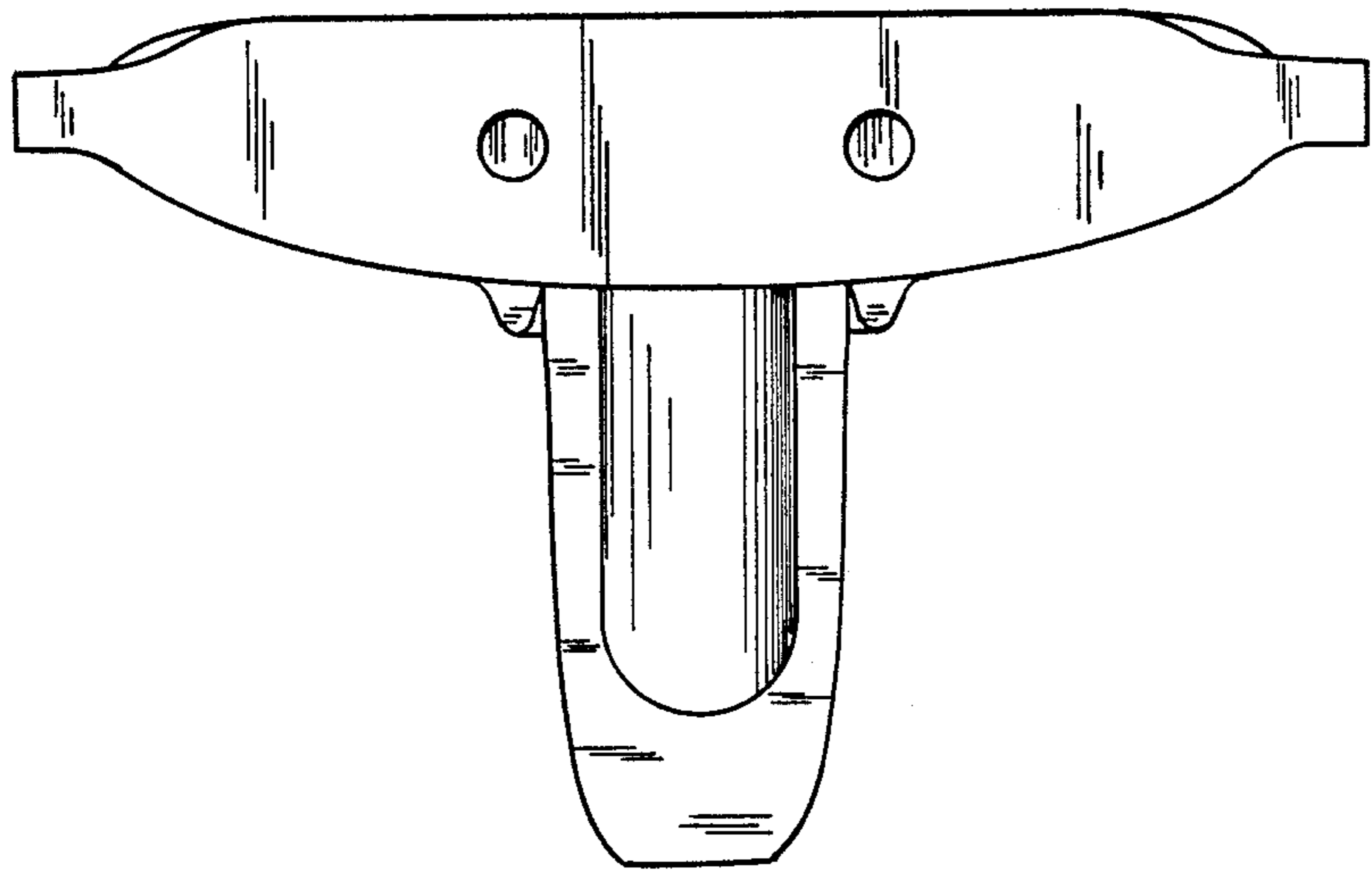


FIG. 6