

[54] VALVE BODY

[75] Inventors: Richard F. Wozniak, Euclid; Peter C. Williams, Cleveland Heights, both of Ohio

[73] Assignee: Whitney Co., Highland Hts., Ohio

[**] Term: 14 Years

[21] Appl. No.: 11,711

[22] Filed: Feb. 6, 1987

[52] U.S. Cl. D23/248

[58] Field of Search D23/233-237, D23/244-249; 251/309, 315, 316

[56] References Cited

U.S. PATENT DOCUMENTS

D. 207,830	5/1967	Adams	D23/245
D. 236,980	9/1975	Callahan et al.	D23/233
D. 297,254	8/1988	Odate et al.	D23/248
3,033,227	5/1962	Goldman	.	
3,448,961	7/1965	Enssle	.	
3,598,363	8/1971	Shaw	.	
3,656,711	4/1972	Toelke	251/174
3,677,283	7/1972	Tito	.	

3,717,323	2/1973	Geipel	.	
3,722,856	3/1973	Koch et al.	251/152
3,888,460	6/1975	Sigmon	.	
4,479,513	10/1984	Koch et al.	251/214
4,524,946	6/1985	Thompson	251/316
4,750,708	6/1988	Yusko, Jr. et al.	251/315

Primary Examiner—James R. Largen
Assistant Examiner—Demetrios Reynolds
Attorney, Agent, or Firm—Fay, Sharpe, Beall, Fagan, Minnich & McKee

[57] CLAIM

The ornamental design for valve body, as shown.

DESCRIPTION

FIG. 1 is a top perspective view of a valve body showing our new design;
FIG. 2 is a top plan view thereof;
FIG. 3 is a side elevational view thereof;
FIG. 4 is an elevational view taken side opposite that shown in FIG. 3;
FIG. 5 is an end elevational view thereof;
FIG. 6 is a bottom plan view thereof; and
FIG. 7 is an elevational view taken from the end opposite that shown in FIG. 5.

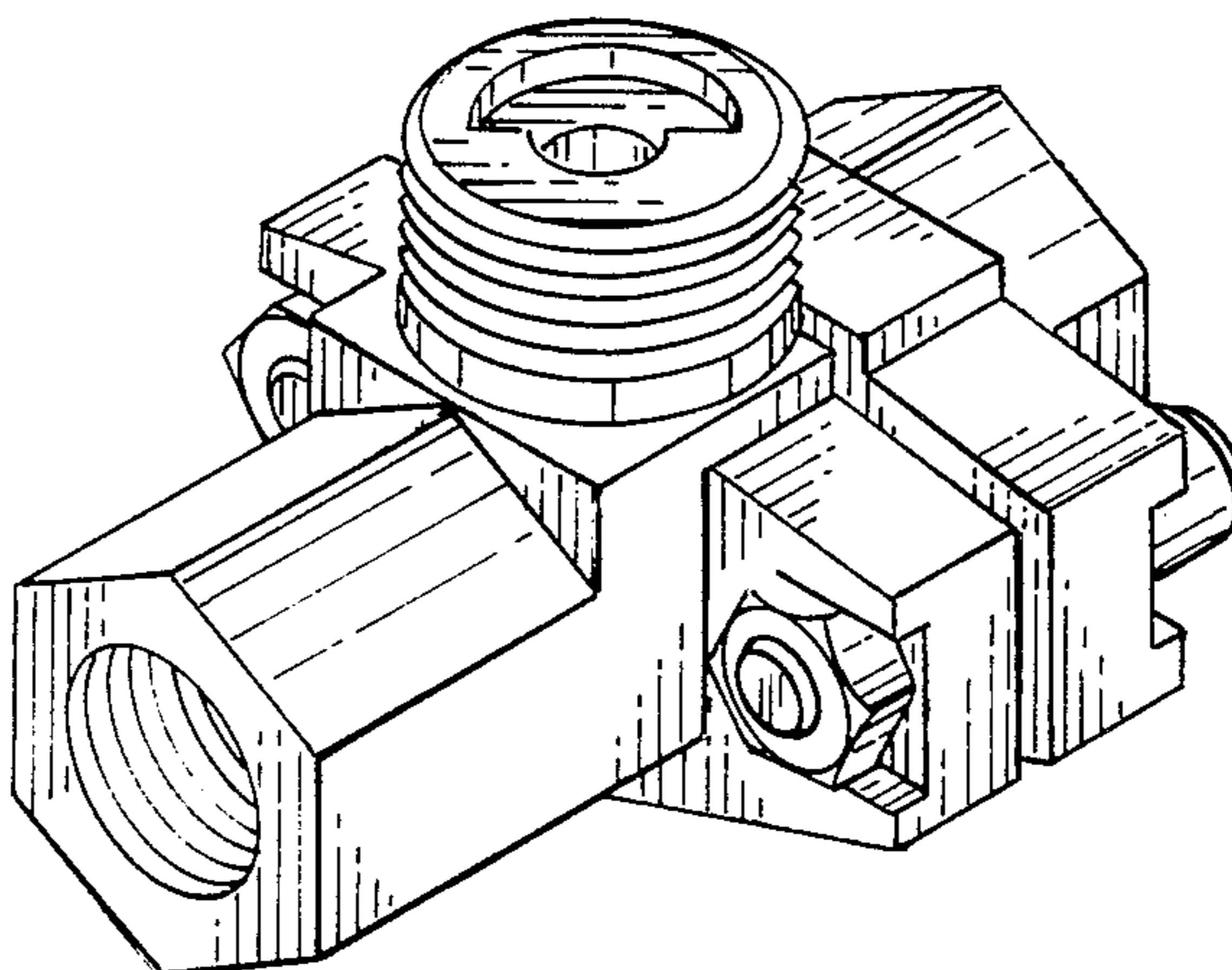


FIG. 1

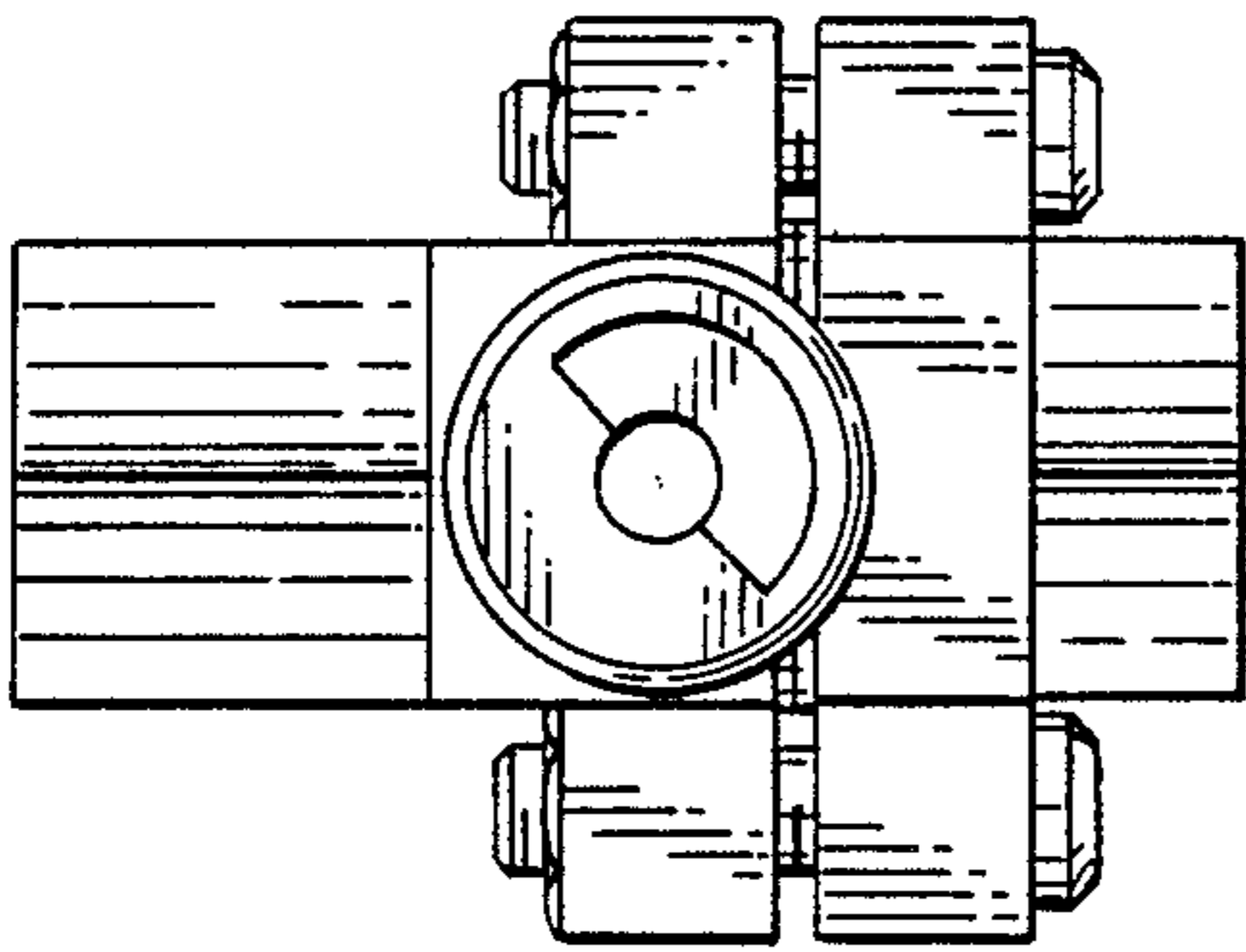
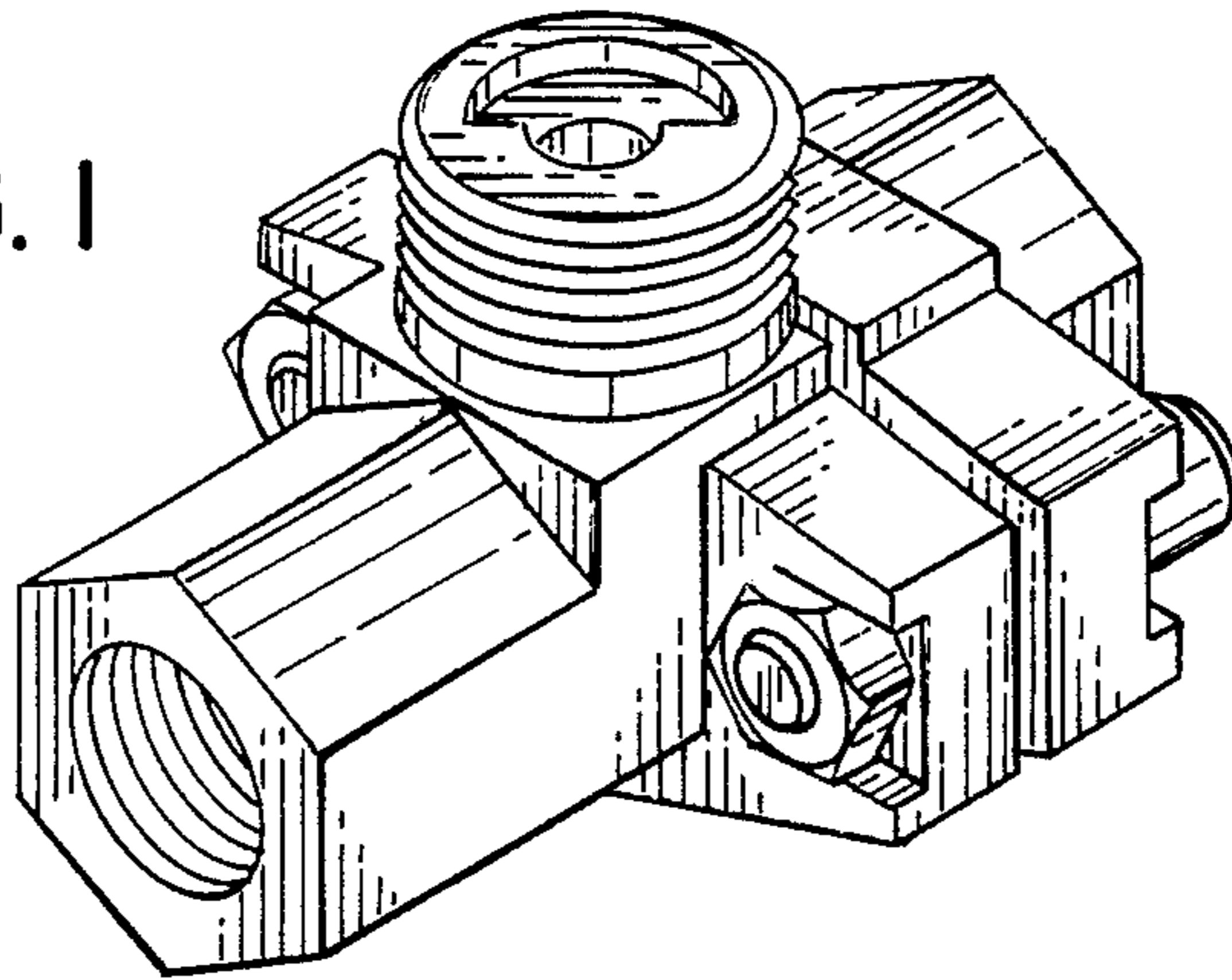


FIG. 2

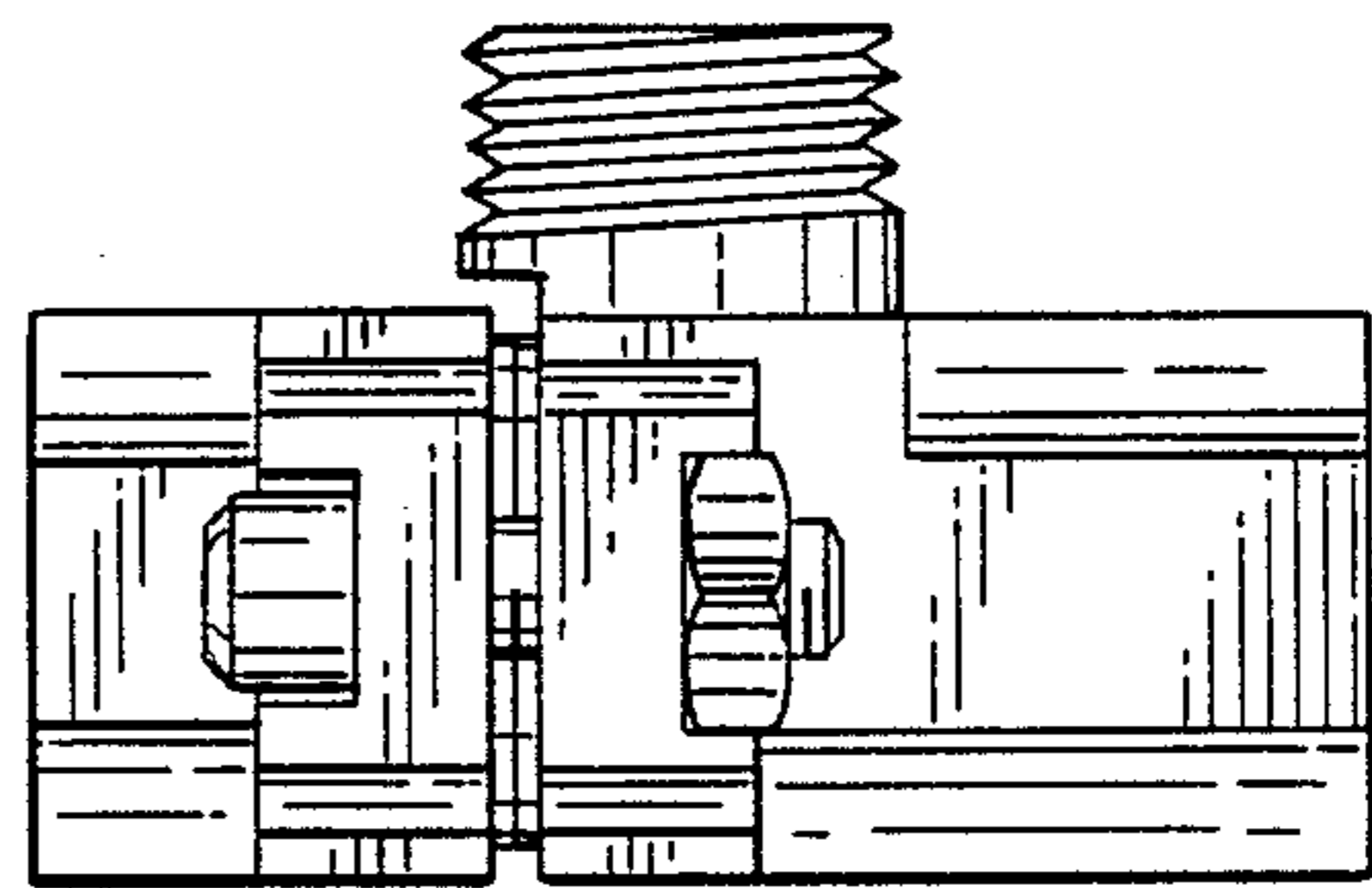


FIG. 3

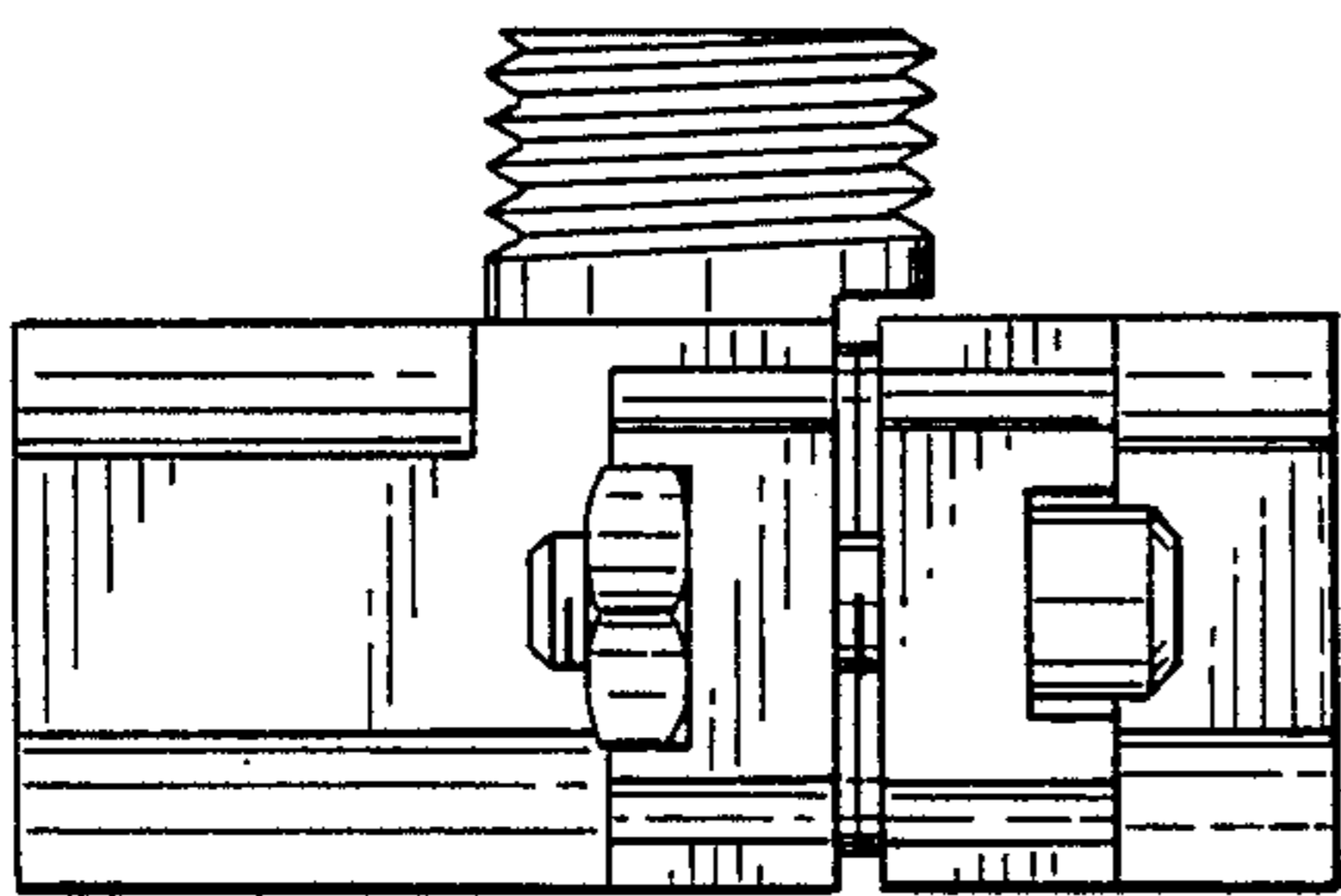


FIG. 4

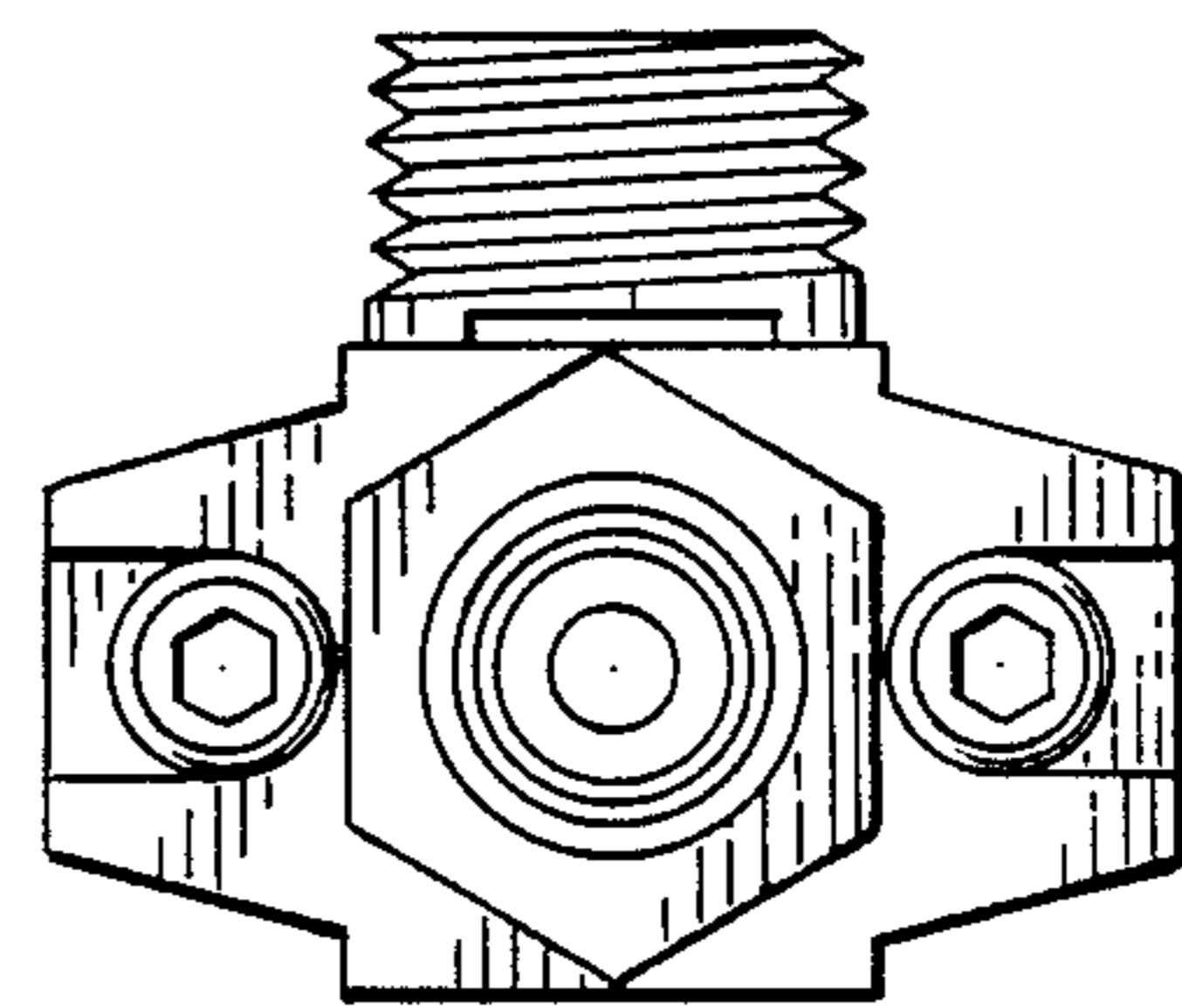


FIG. 5

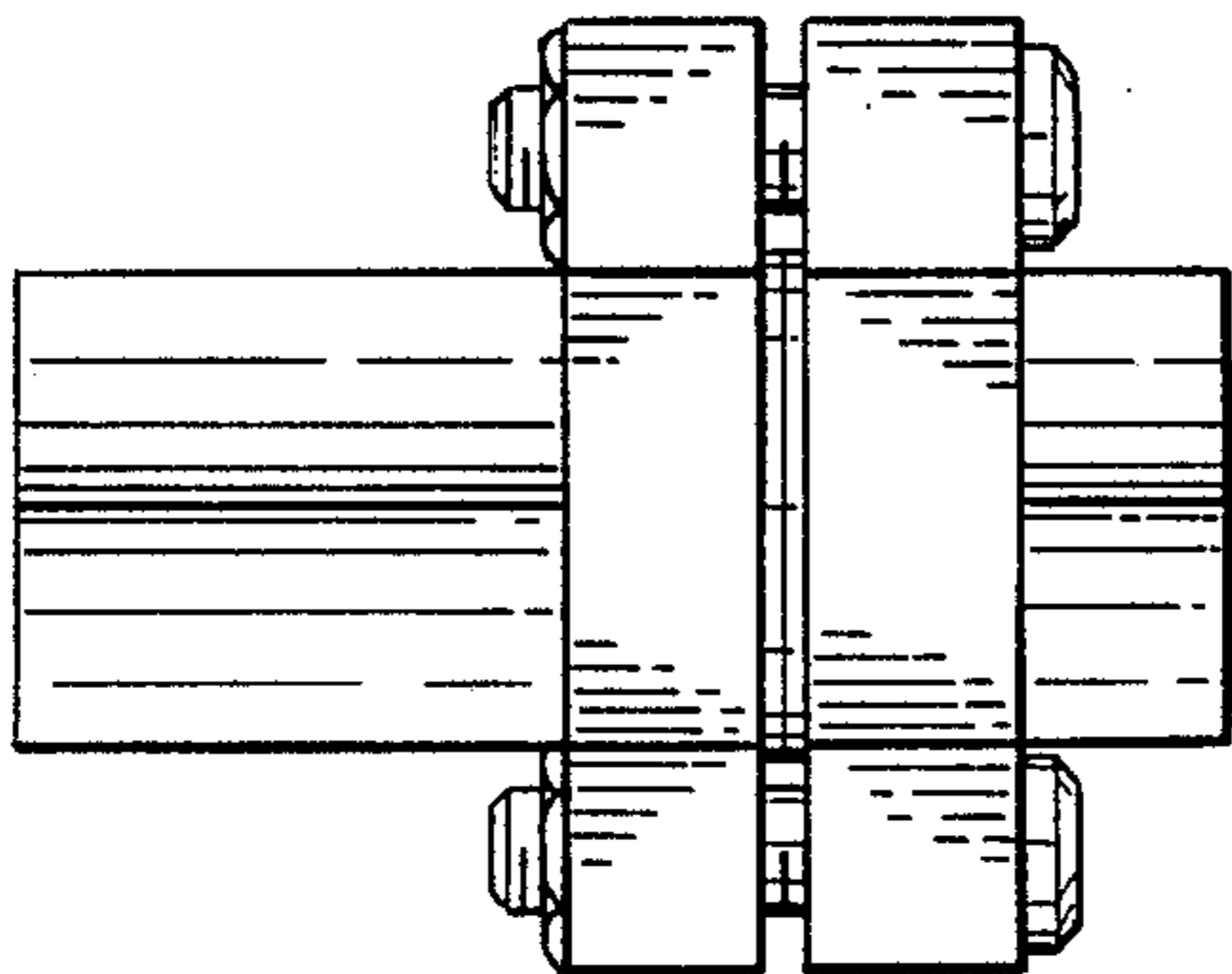


FIG. 6

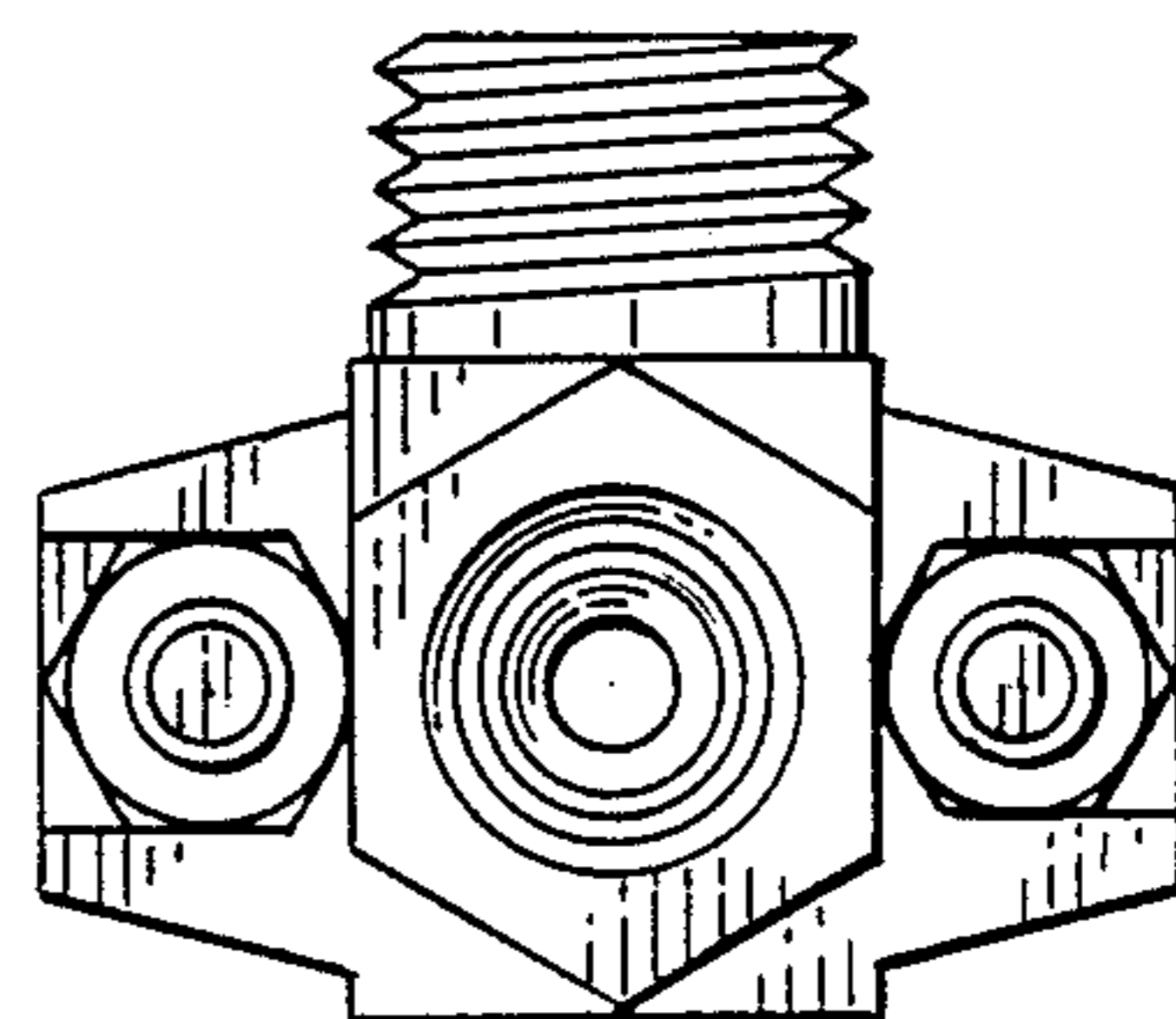


FIG. 7