

[54] COMBINED SINGLE CONTROL VALVE AND SPOUT

[75] Inventor: Konrad Bergmann, Wittlich, Fed. Rep. of Germany

[73] Assignee: American Standard Inc., New York, N.Y.

[**] Term: 14 Years

[21] Appl. No.: 97,469

[22] Filed: Sep. 16, 1987

[30] Foreign Application Priority Data

Mar. 17, 1987 [DE] Fed. Rep. of Germany ... 20MR2128

[52] U.S. Cl. D23/238

[58] Field of Search D23/238, 252, 253, 254, D23/255, 256, 257, 241, 42, 619, 650, 651, 653

[56] References Cited

U.S. PATENT DOCUMENTS

- D. 217,966 7/1970 Korol D23/255
- D. 272,642 2/1984 Fabian D23/242
- D. 289,076 3/1987 Paul D23/238
- D. 290,643 6/1987 Paul D23/255

- D. 299,851 2/1989 Rademacher D23/241
- 535,208 3/1895 Kelly 4/653
- 921,574 5/1909 Weaver 4/651
- 1,426,046 8/1922 Cohen 4/651
- 2,191,453 2/1940 Corbin 4/651
- 3,202,181 8/1965 West D23/238
- 4,765,002 8/1988 Platner 4/619

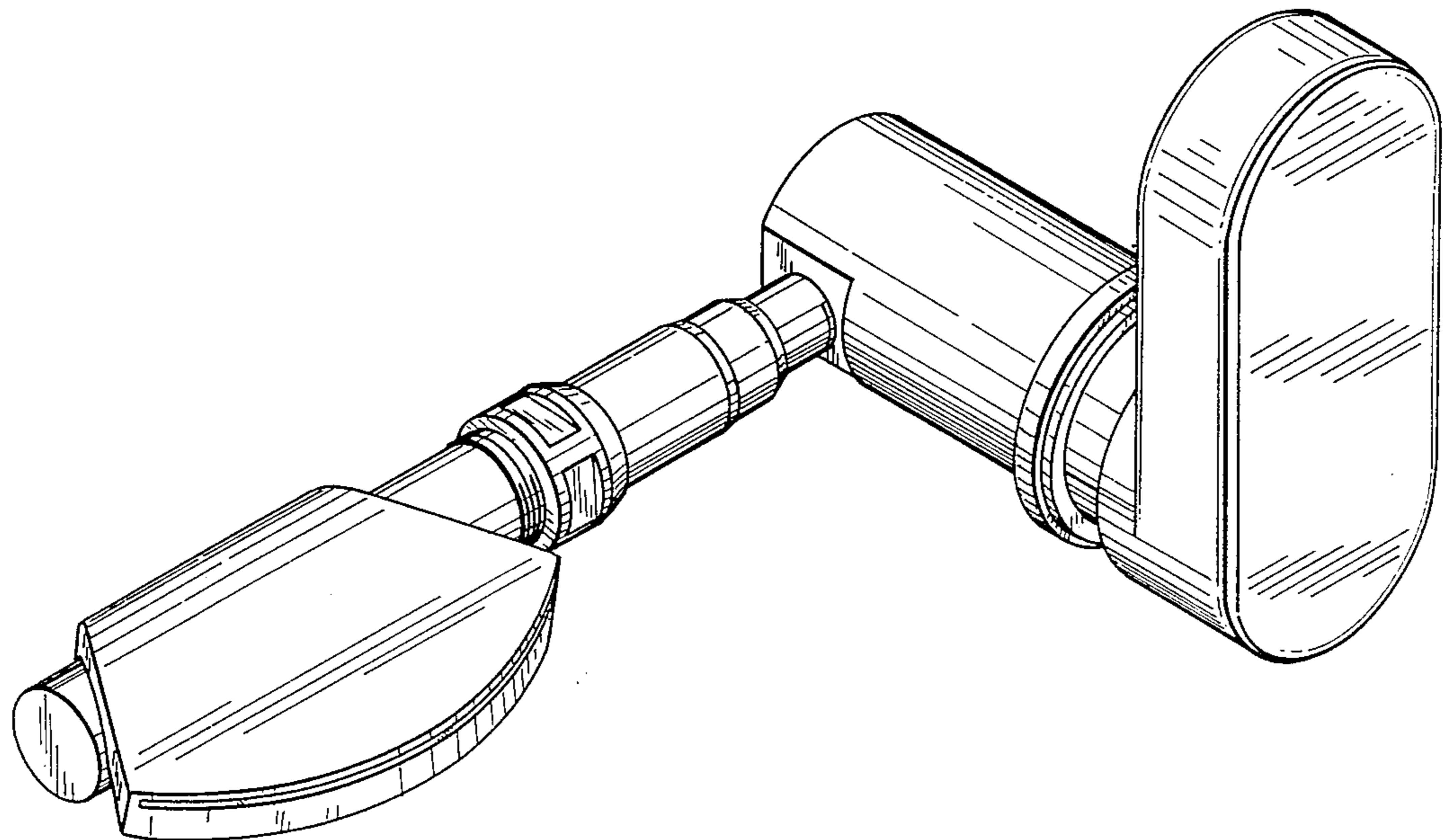
Primary Examiner—James R. Largen
Assistant Examiner—Demetrius Reynolds
Attorney, Agent, or Firm—John P. Sinnott

[57] CLAIM

The ornamental design for a combined single control valve and spout, as shown and described.

DESCRIPTION

FIG. 1 is a perspective view taken from the top, front and left side of a combined single control valve and spout showing my new design;
FIG. 2 is a front elevational view thereof;
FIG. 3 is a bottom plan view thereof;
FIG. 4 is a top plan view thereof;
FIG. 5 is a left-side elevational view thereof;
FIG. 6 is a right side elevational view thereof; and
FIG. 7 is a rear elevational view thereof;



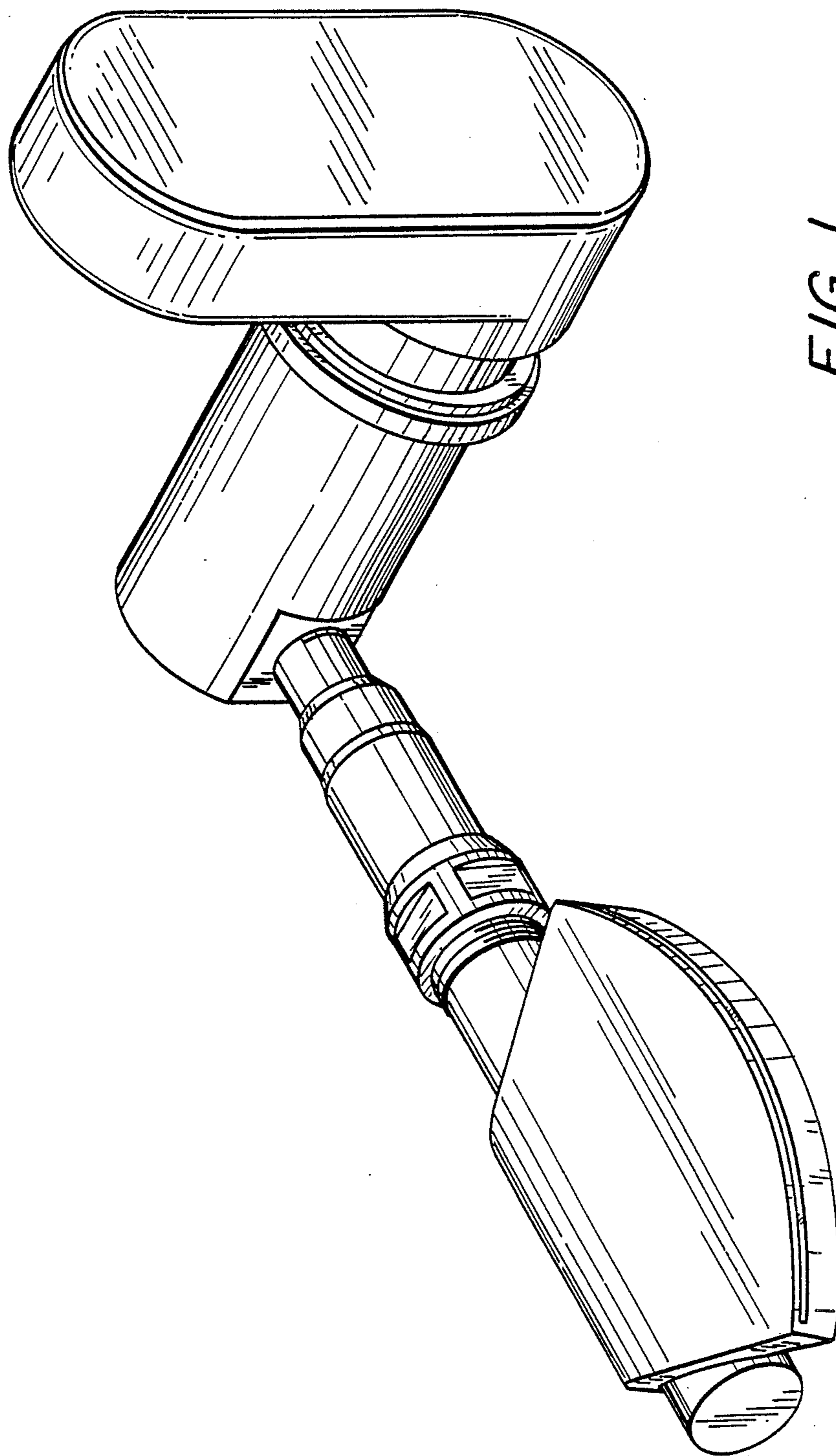


FIG. 1

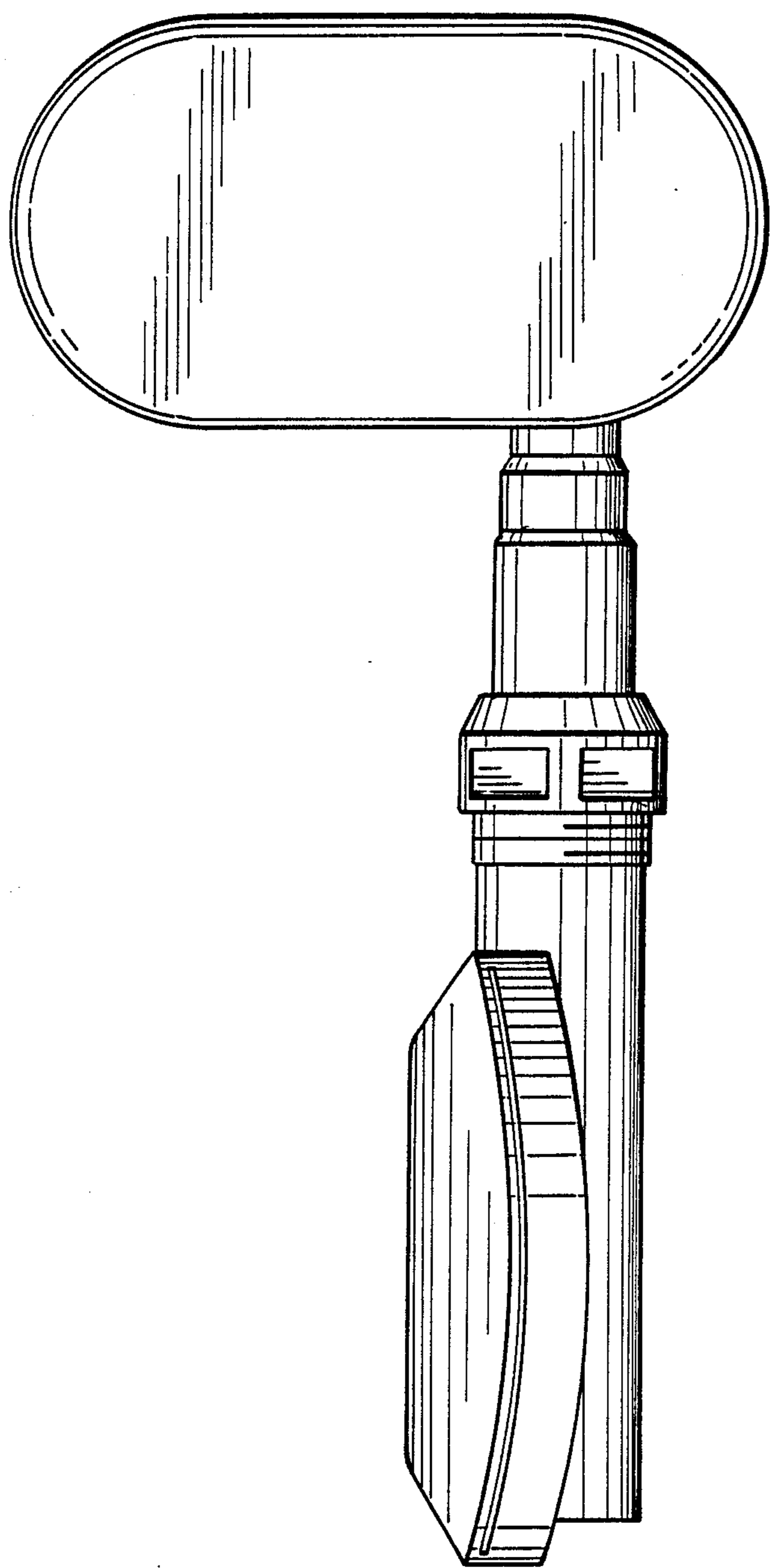


FIG. 2

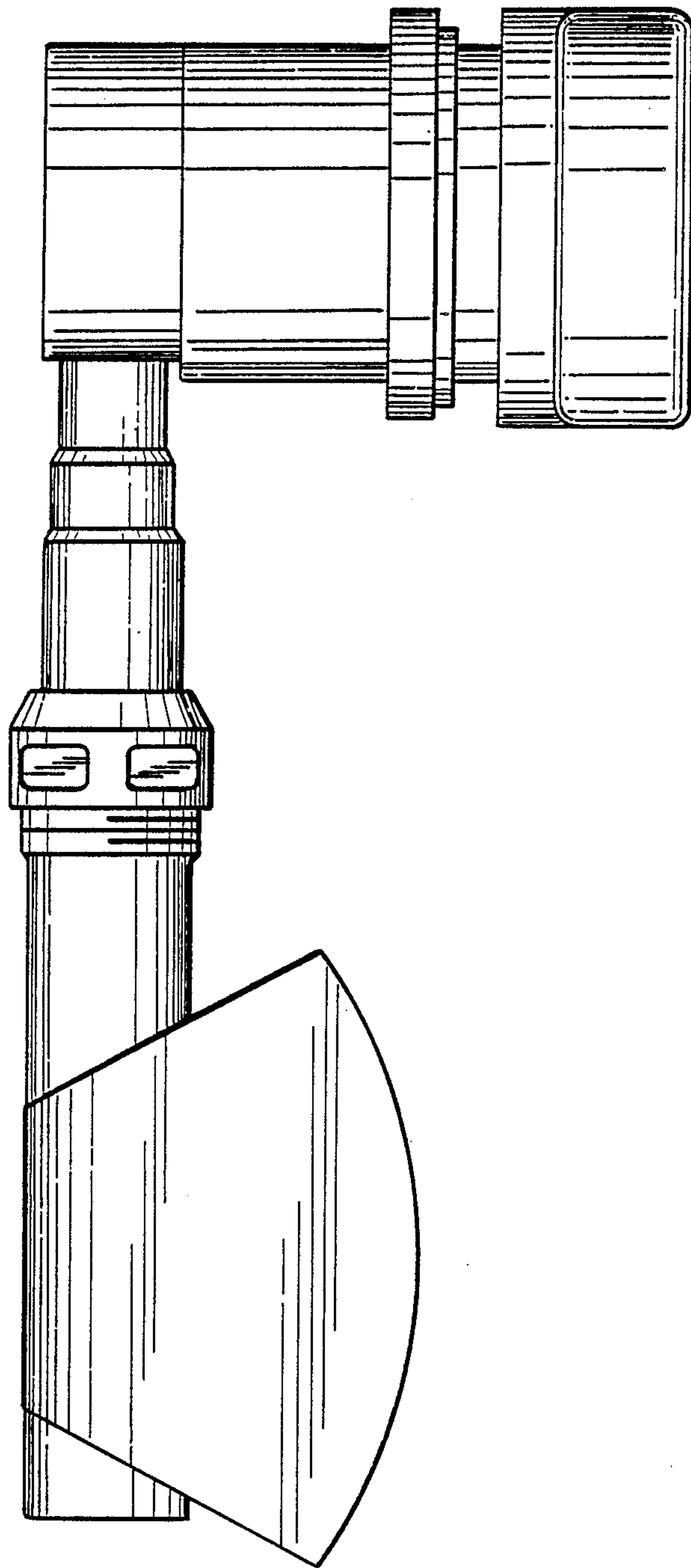


FIG. 3

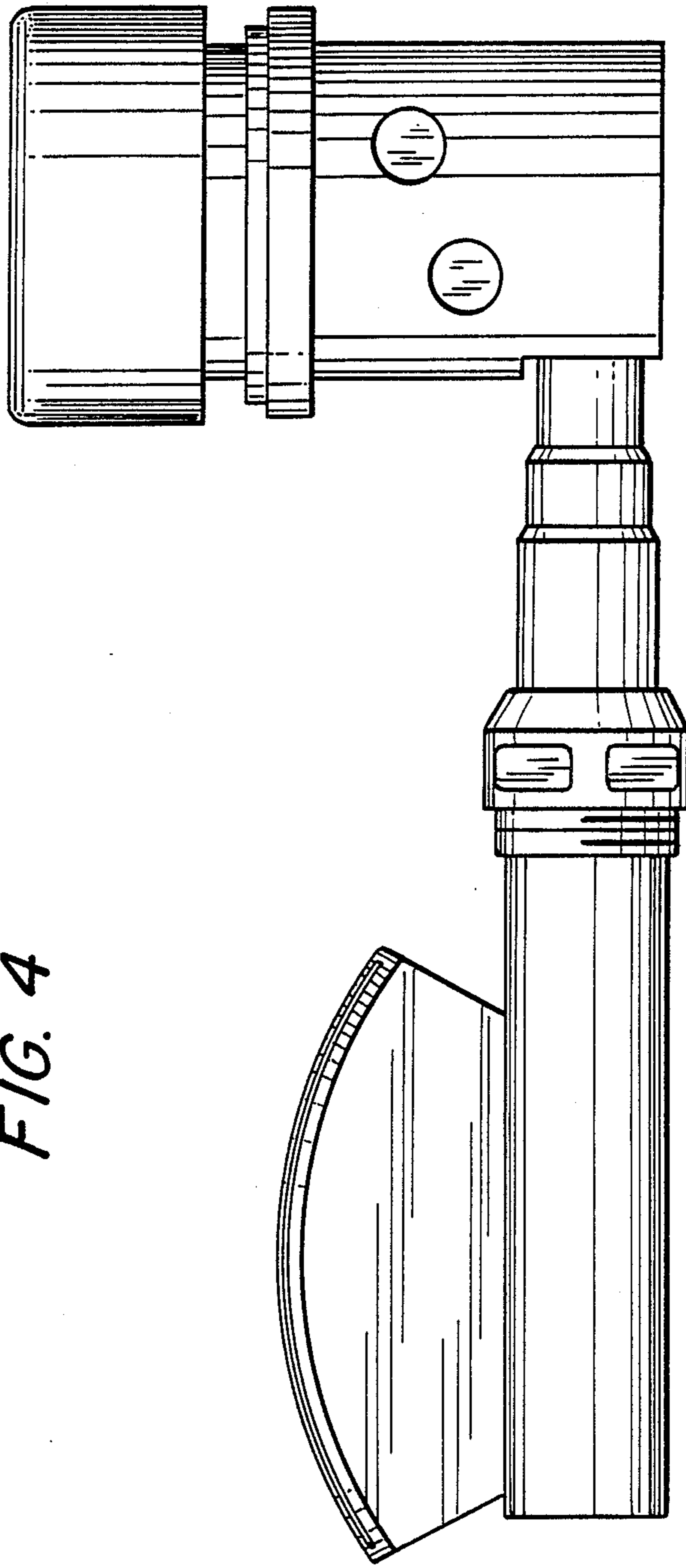


FIG. 4

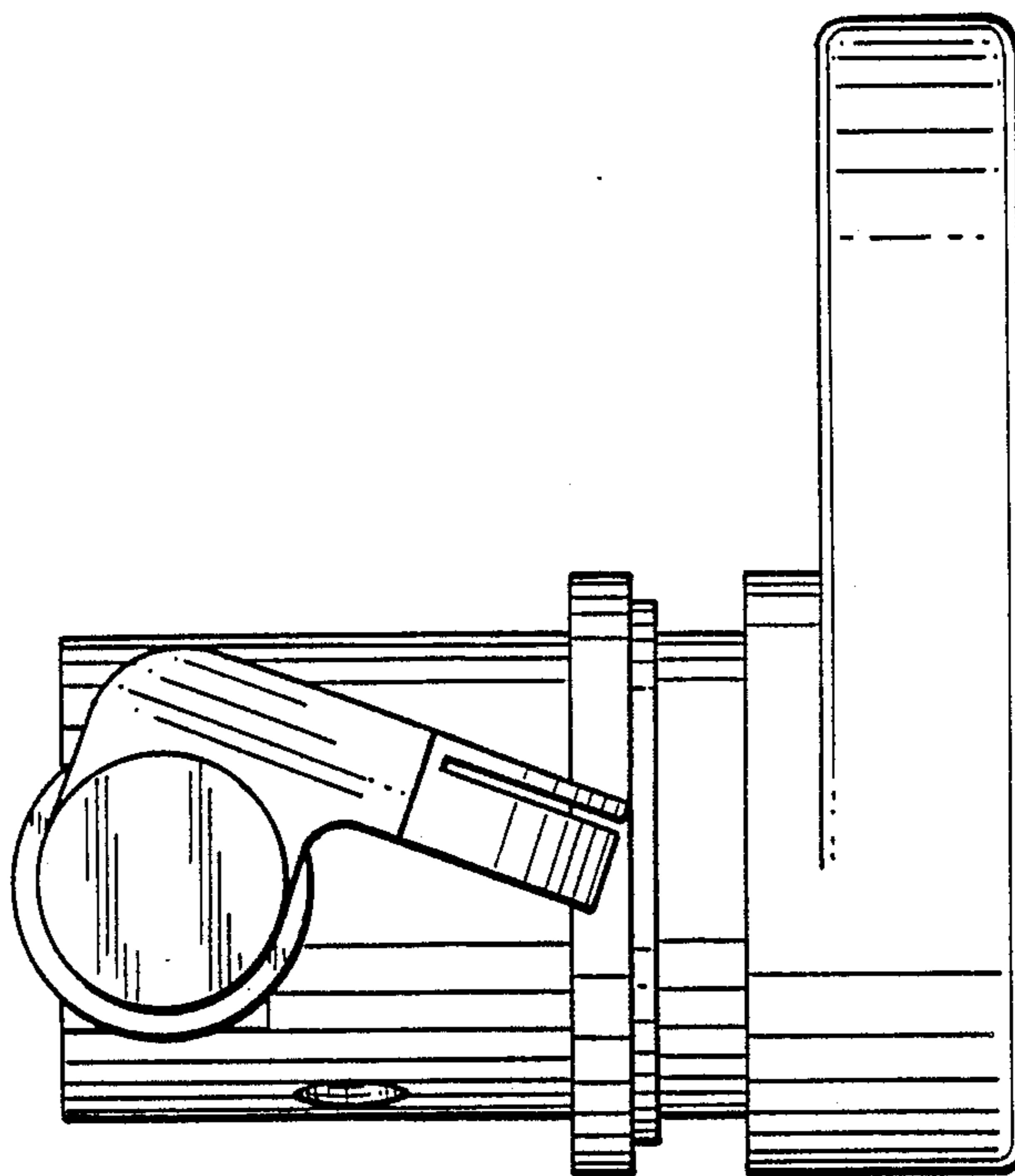


FIG. 5

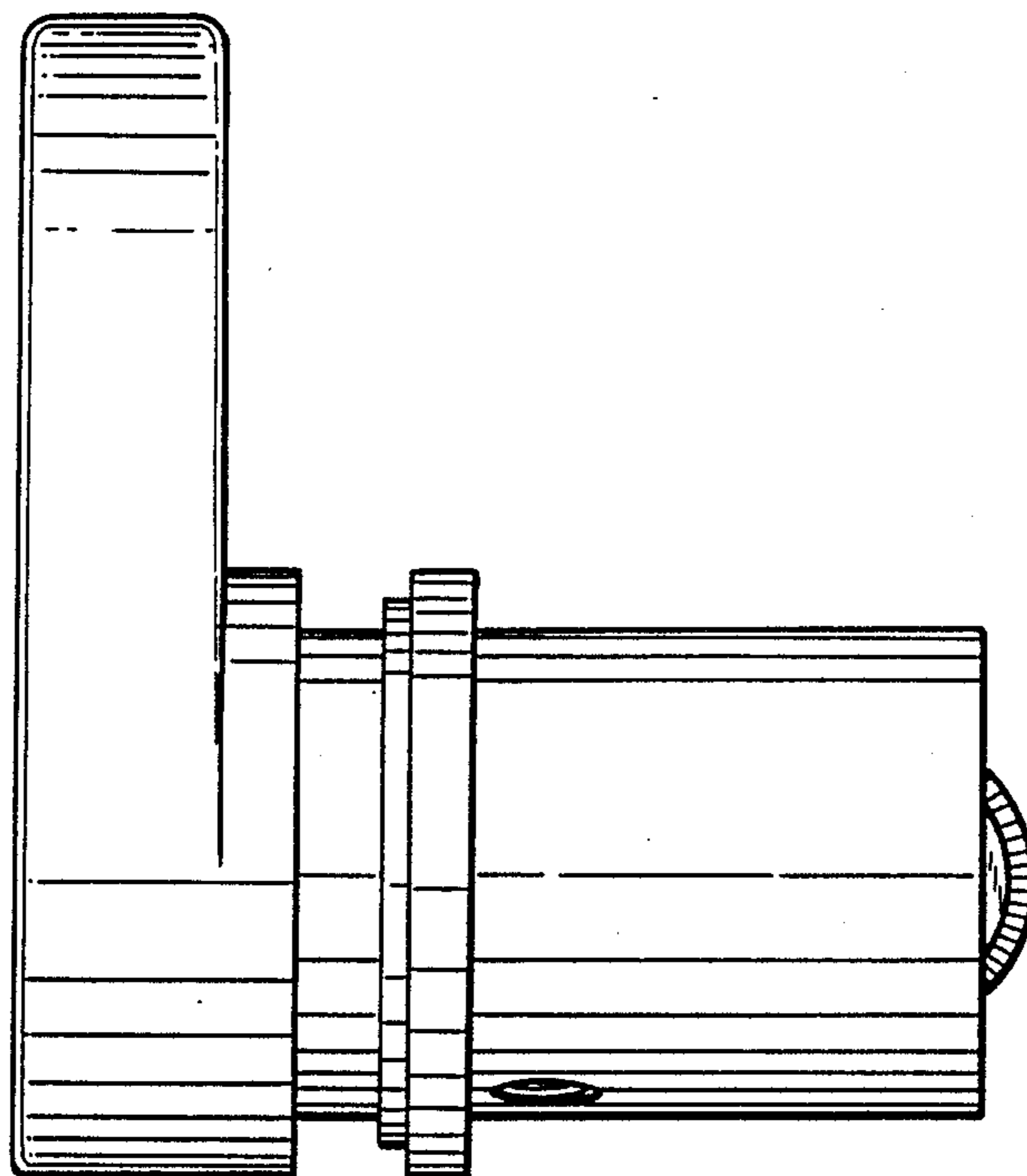


FIG. 6

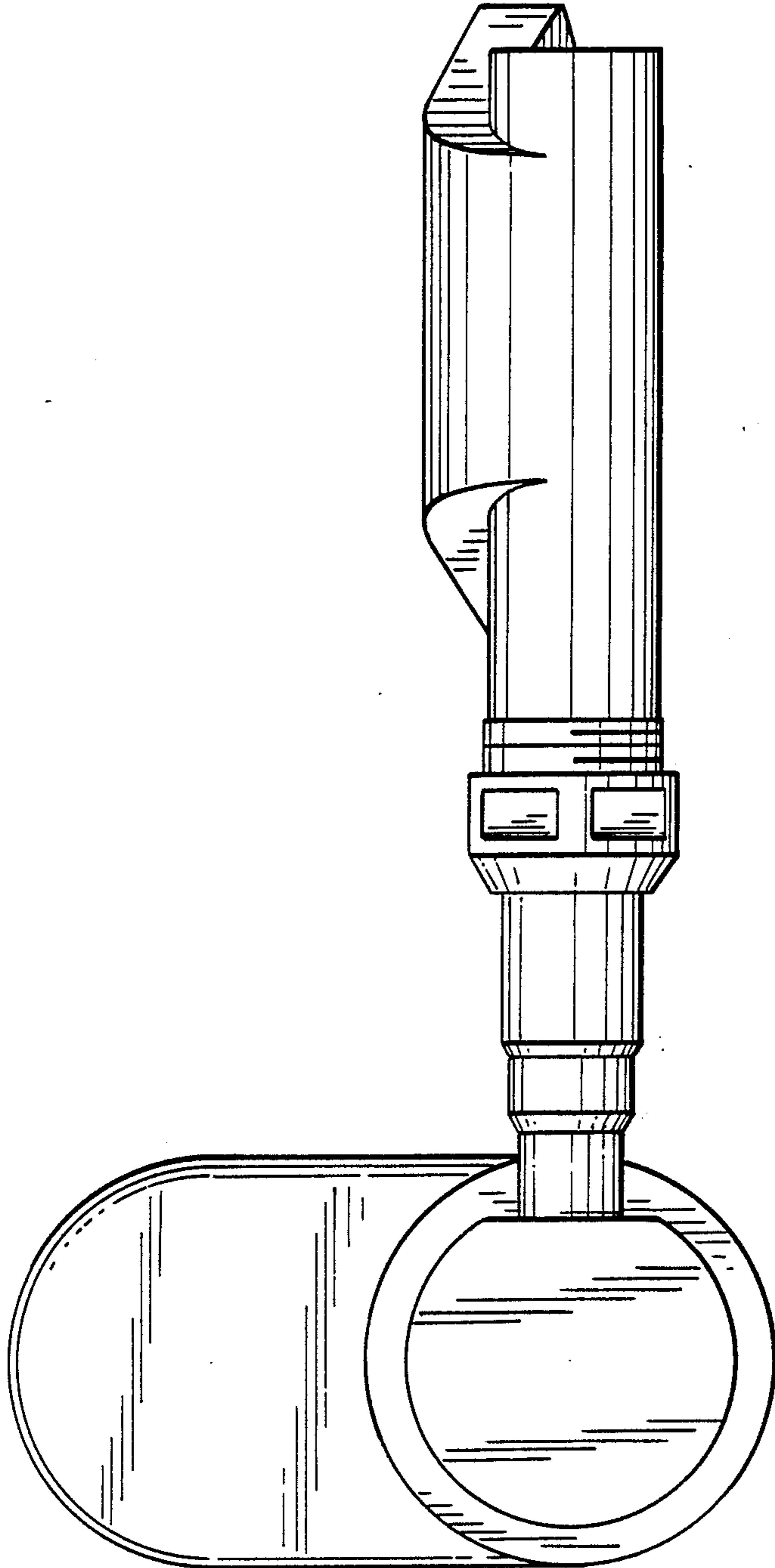


FIG. 7