

[54] FAUCET

[75] Inventor: Jun H. Son, Seoul, Rep. of Korea

[73] Assignee: American Standard Inc., New York, N.Y.

[\*\*] Term: 14 Years

[21] Appl. No.: 46,055

[22] Filed: May 4, 1987

[30] Foreign Application Priority Data

Jul. 11, 1986 [KR] Rep. of Korea ..... 15686/1986

[52] U.S. Cl. .... D23/238

[58] Field of Search ..... D23/238-243, D23/255, 256, 257; 4/191, 192; 137/801

[56] References Cited

U.S. PATENT DOCUMENTS

D. 61,953 2/1923 Hitchcock ..... D23/243

D. 62,864 8/1923 Benjamin ..... D23/243  
D. 83,674 3/1931 Fraser ..... D23/240  
D. 147,404 9/1947 Ritter ..... D23/240

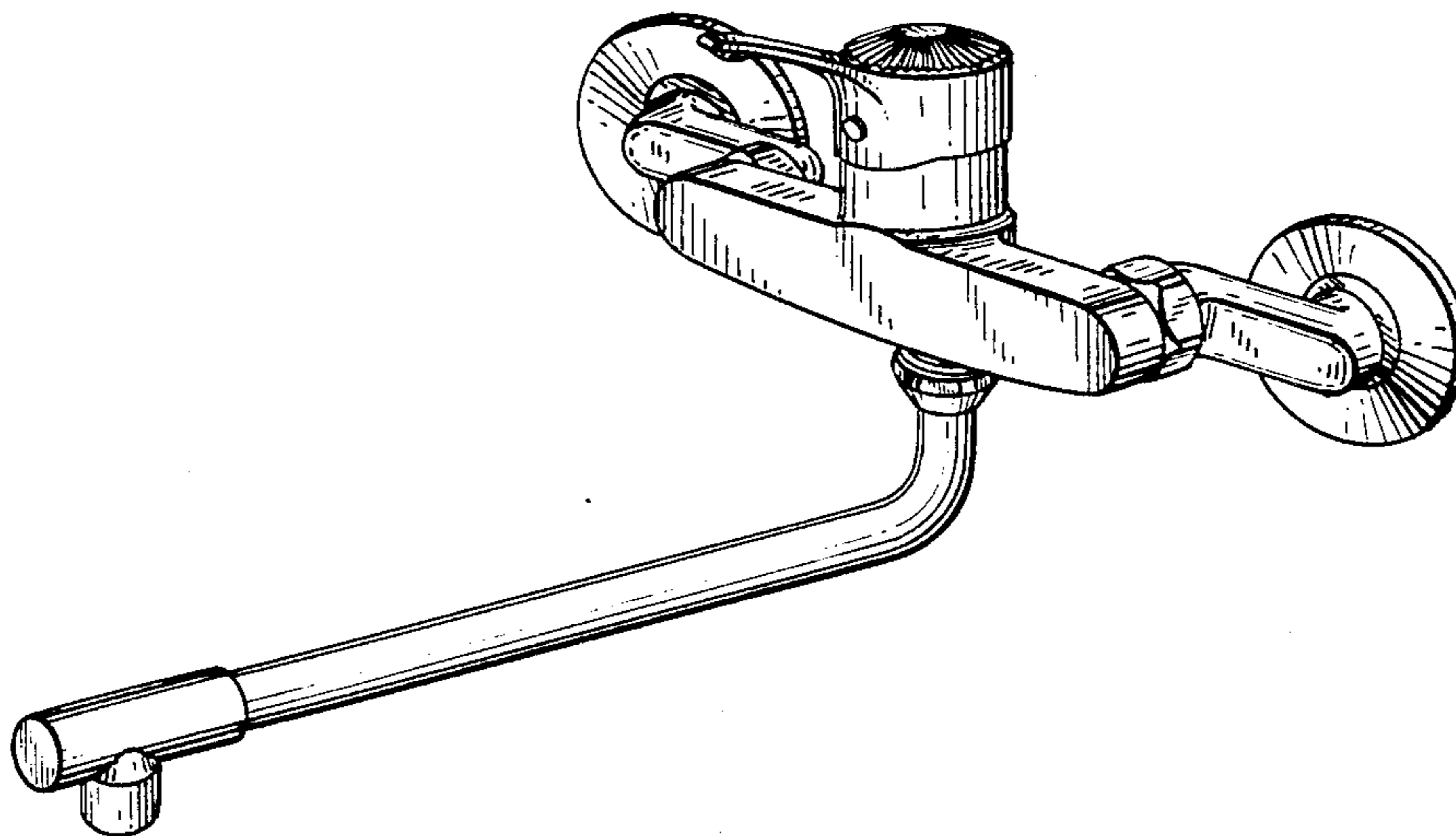
Primary Examiner—A. Hugo Word  
Assistant Examiner—Stella M. Reid  
Attorney, Agent, or Firm—John P. Sinnott

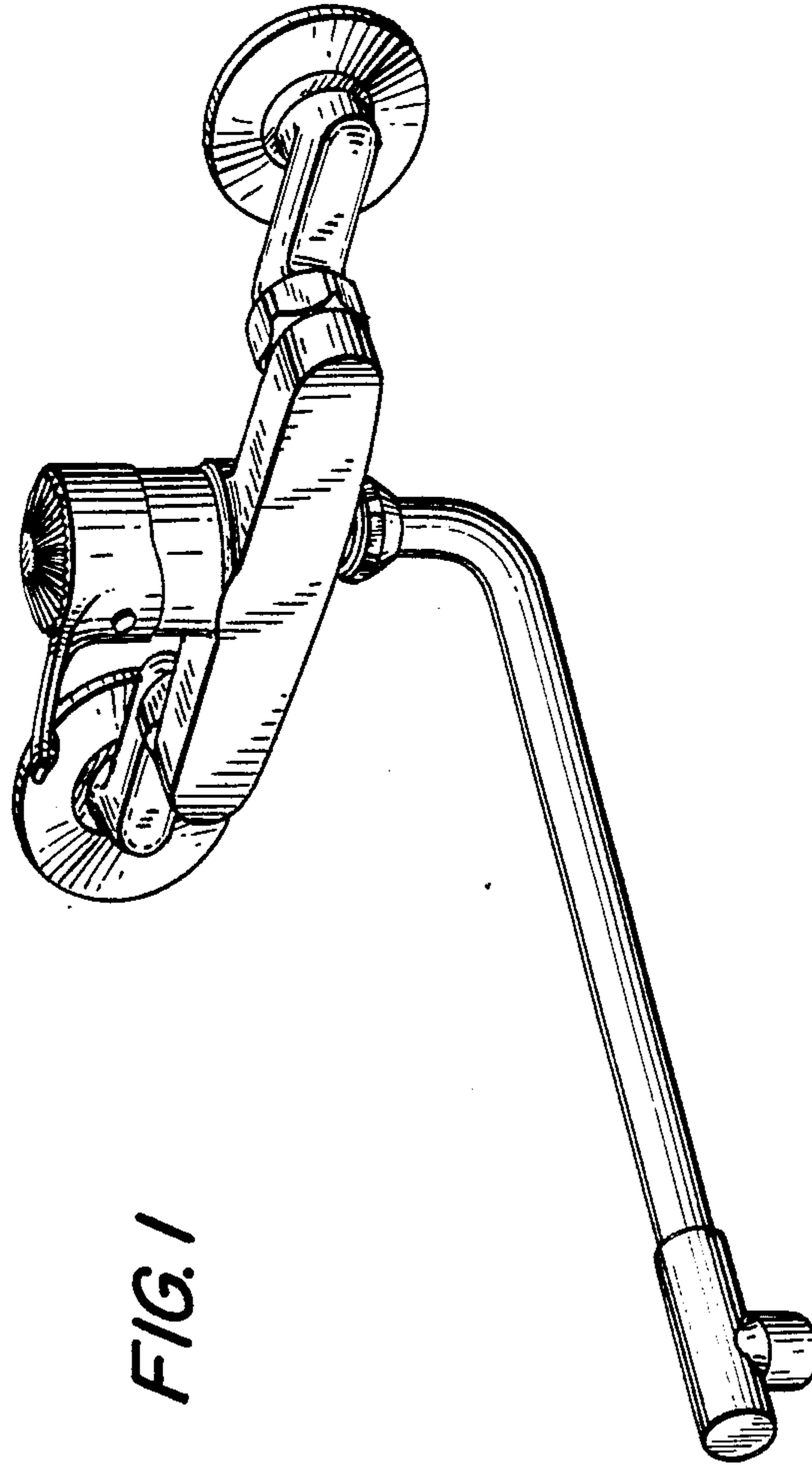
[57] CLAIM

The ornamental design for a faucet, as shown and described.

DESCRIPTION

FIG. 1 is a perspective view of a faucet, showing my new design;  
FIG. 2 is a top plan view thereof;  
FIG. 3 is a front elevational view thereof;  
FIG. 4 is a bottom plan view thereof;  
FIG. 5 is a rear elevational view thereof;  
FIG. 6 is a side elevational view thereof, the opposite side being identical thereof.





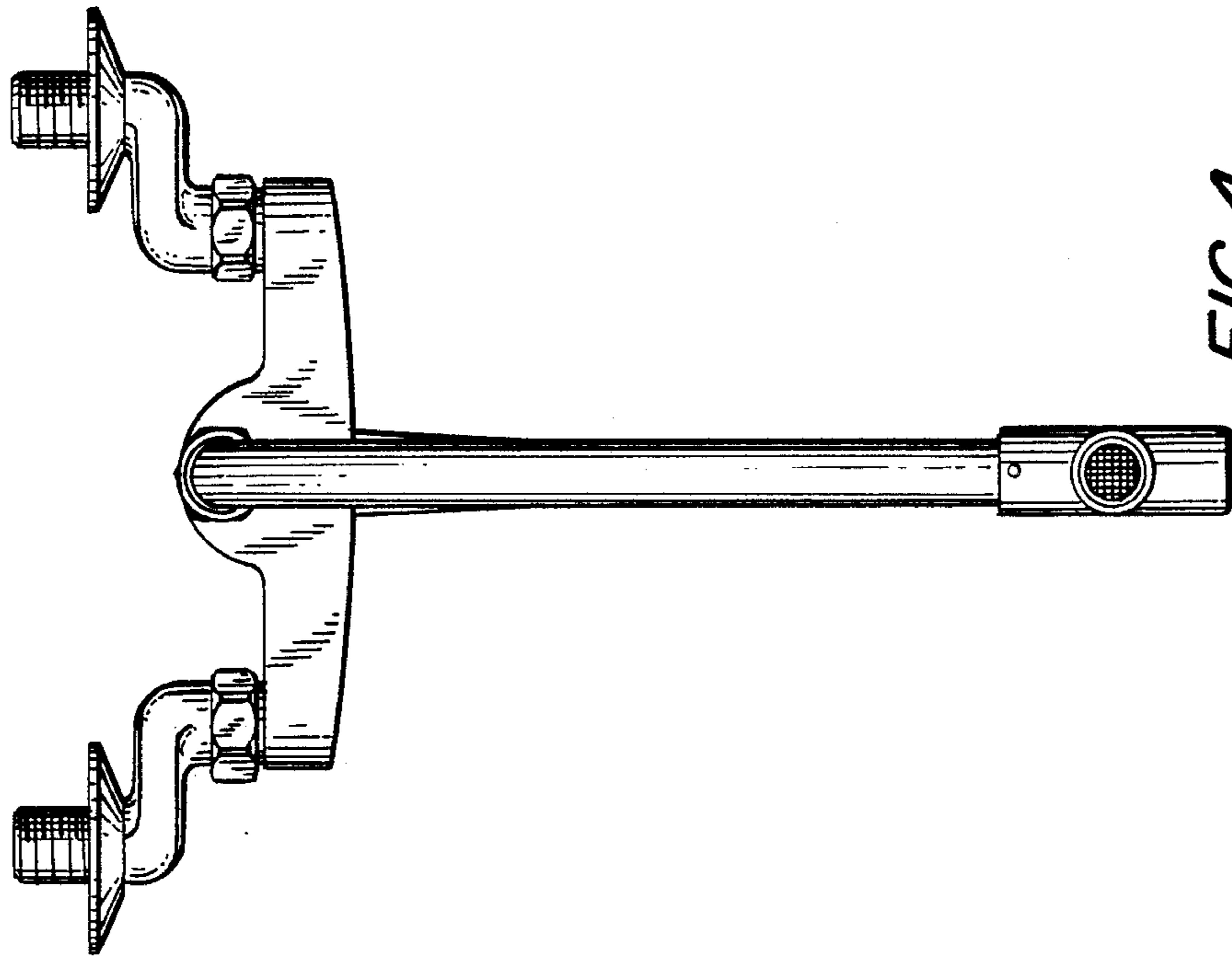


FIG. 4

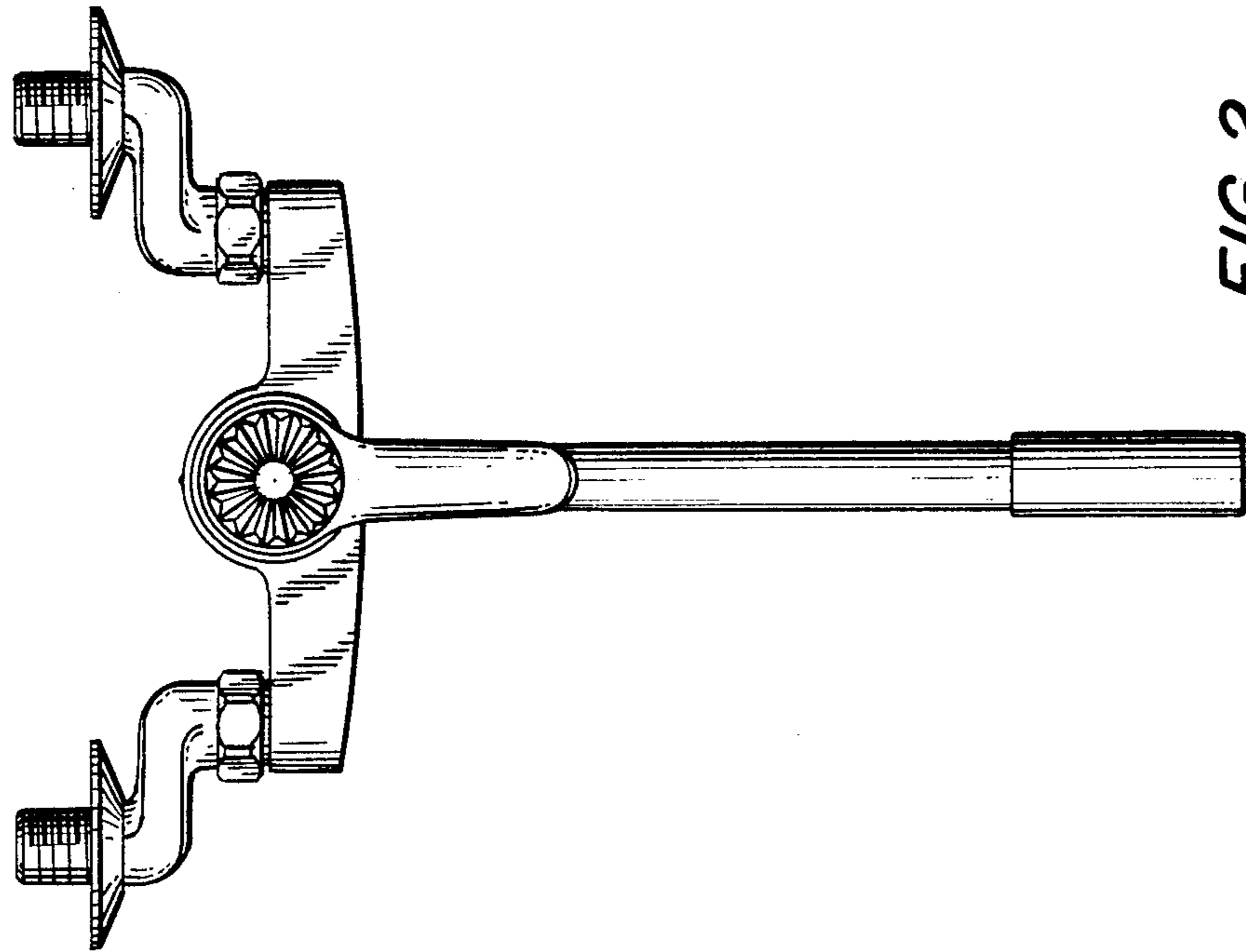
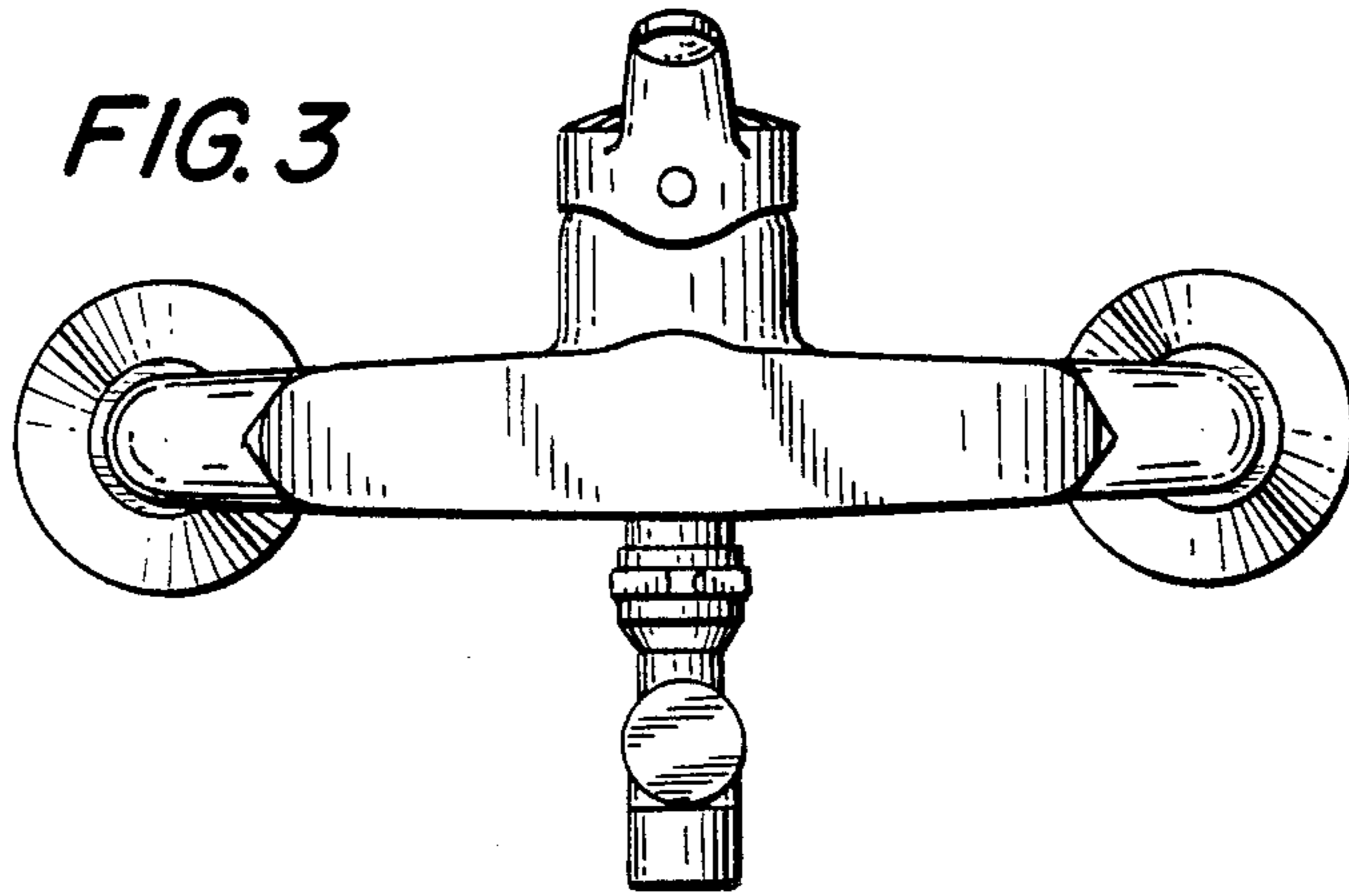
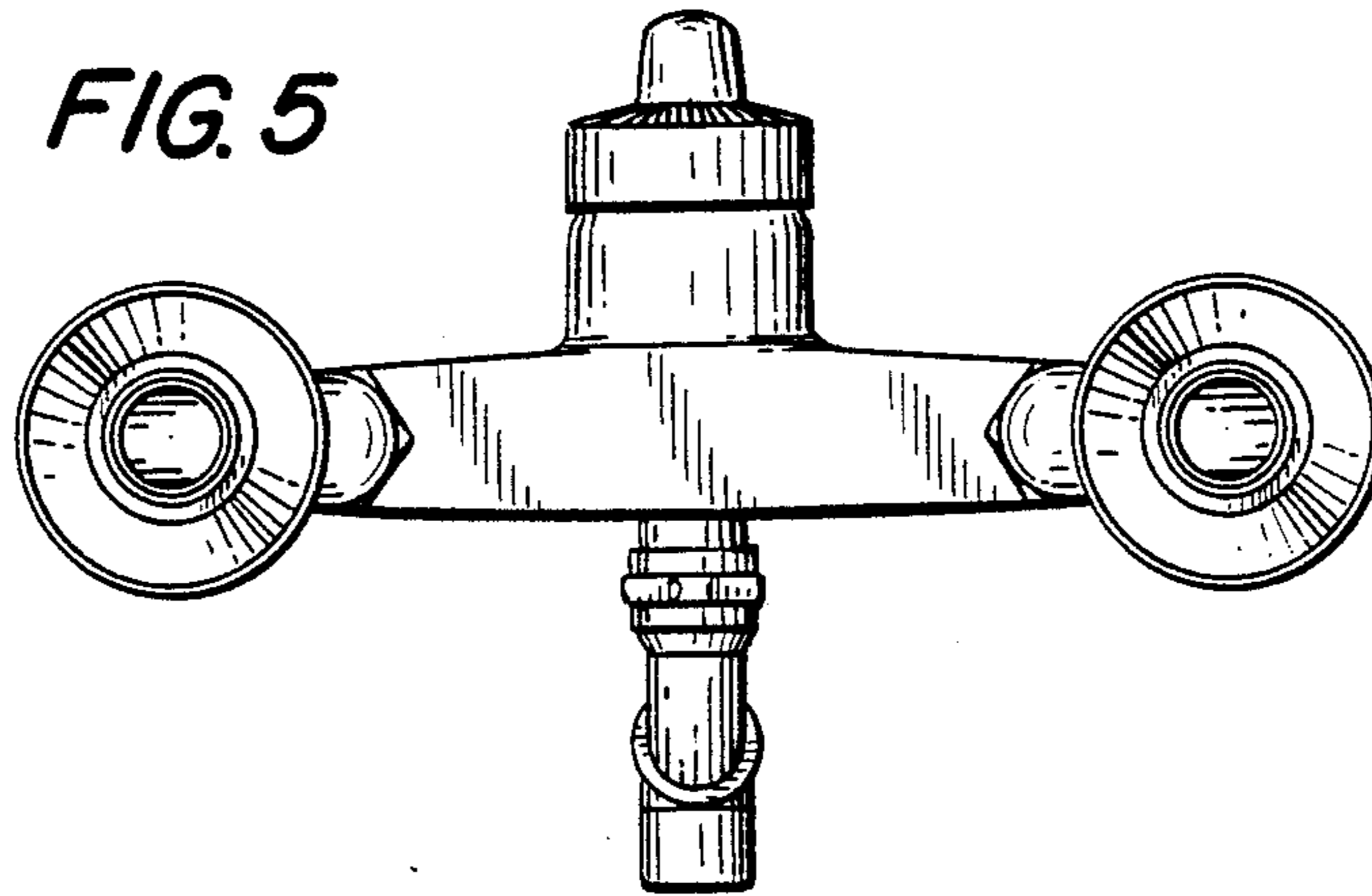


FIG. 2

*FIG. 3*



*FIG. 5*



*FIG. 6*

