

[54] **GOLF SWING PRACTICE AID**

[76] **Inventor: Louis F. Spagnola, 14703 Boveda Dr., Houston, Tex. 77083**

[**] **Term: 14 Years**

[21] **Appl. No.: 143,682**

[22] **Filed: Jan. 14, 1988**

[52] **U.S. Cl. D21/234**

[58] **Field of Search D21/234; 273/191 R, 273/187 R, 187 A, 195 R, 195 A**

[56] **References Cited**

U.S. PATENT DOCUMENTS

| | | | | |
|------------|---------|-----------|-------|-----------|
| D. 239,726 | 4/1976 | Wintering | | D21/234 |
| 1,517,555 | 12/1924 | Graham | | 273/187 R |
| 4,384,718 | 5/1983 | Cachola | | 273/187 R |
| 4,538,815 | 9/1985 | Poirier | | 273/187 R |
| 4,583,739 | 4/1986 | Kabbany | | 273/187 R |

FOREIGN PATENT DOCUMENTS

| | | | | |
|---------|--------|----------------|-------|-----------|
| 1381598 | 1/1975 | United Kingdom | | 273/187 R |
| 1461508 | 1/1977 | United Kingdom | | 273/187 R |

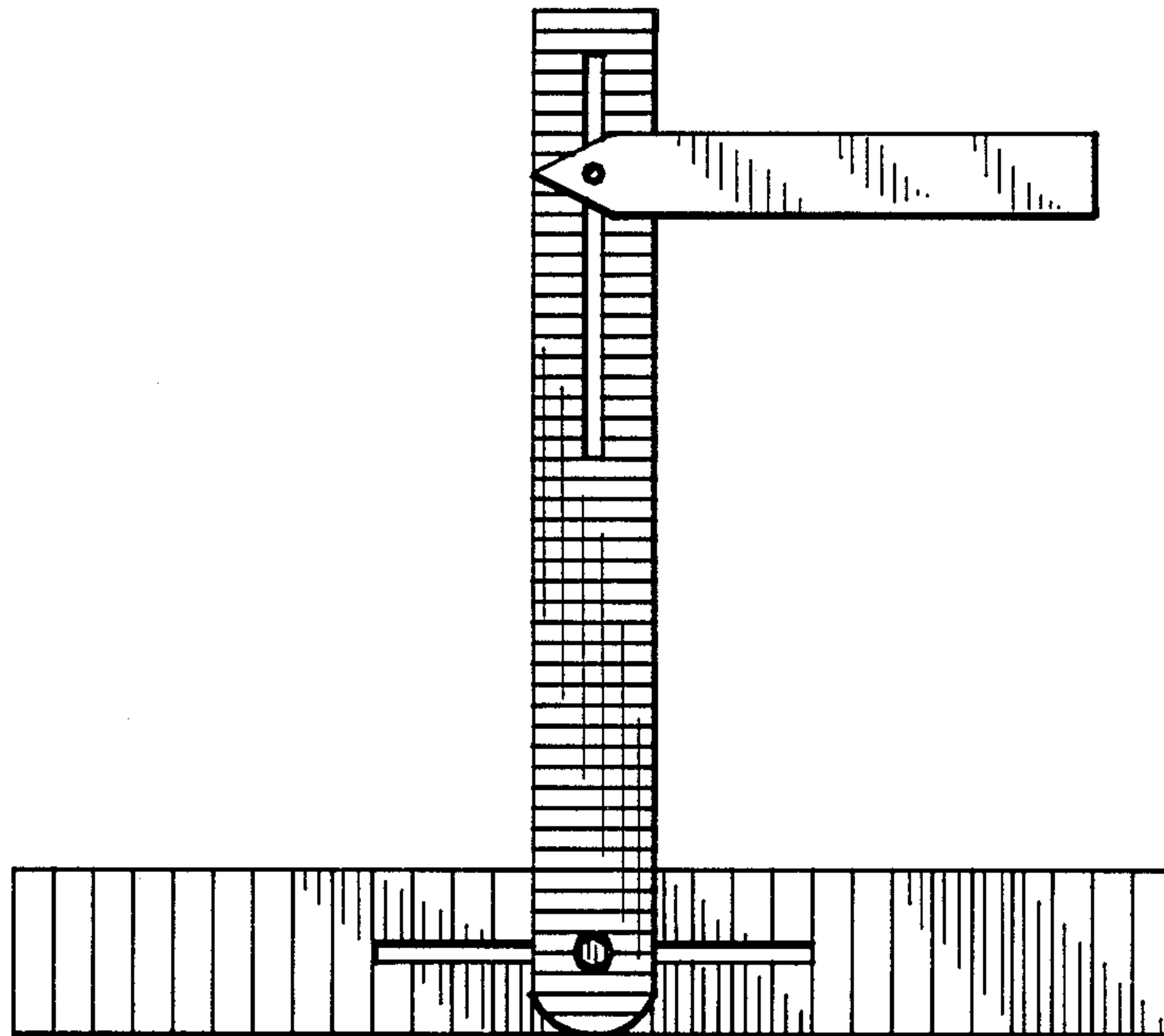
Primary Examiner—Melvin B. Feifer
Assistant Examiner—P. Hyder
Attorney, Agent, or Firm—Jerry Kearns

[57] **CLAIM**

The ornamental design for a golf swing practice aid, as shown and described.

DESCRIPTION

FIG. 1 is a front elevational view of a golf swing practice aid showing my new design;
FIG. 2 is a rear elevational view thereof;
FIG. 3 is a left side elevational view thereof;
FIG. 4 is a right side elevational view thereof;
FIG. 5 is a top plan view thereof; and,
FIG. 6 is a bottom plan view thereof.



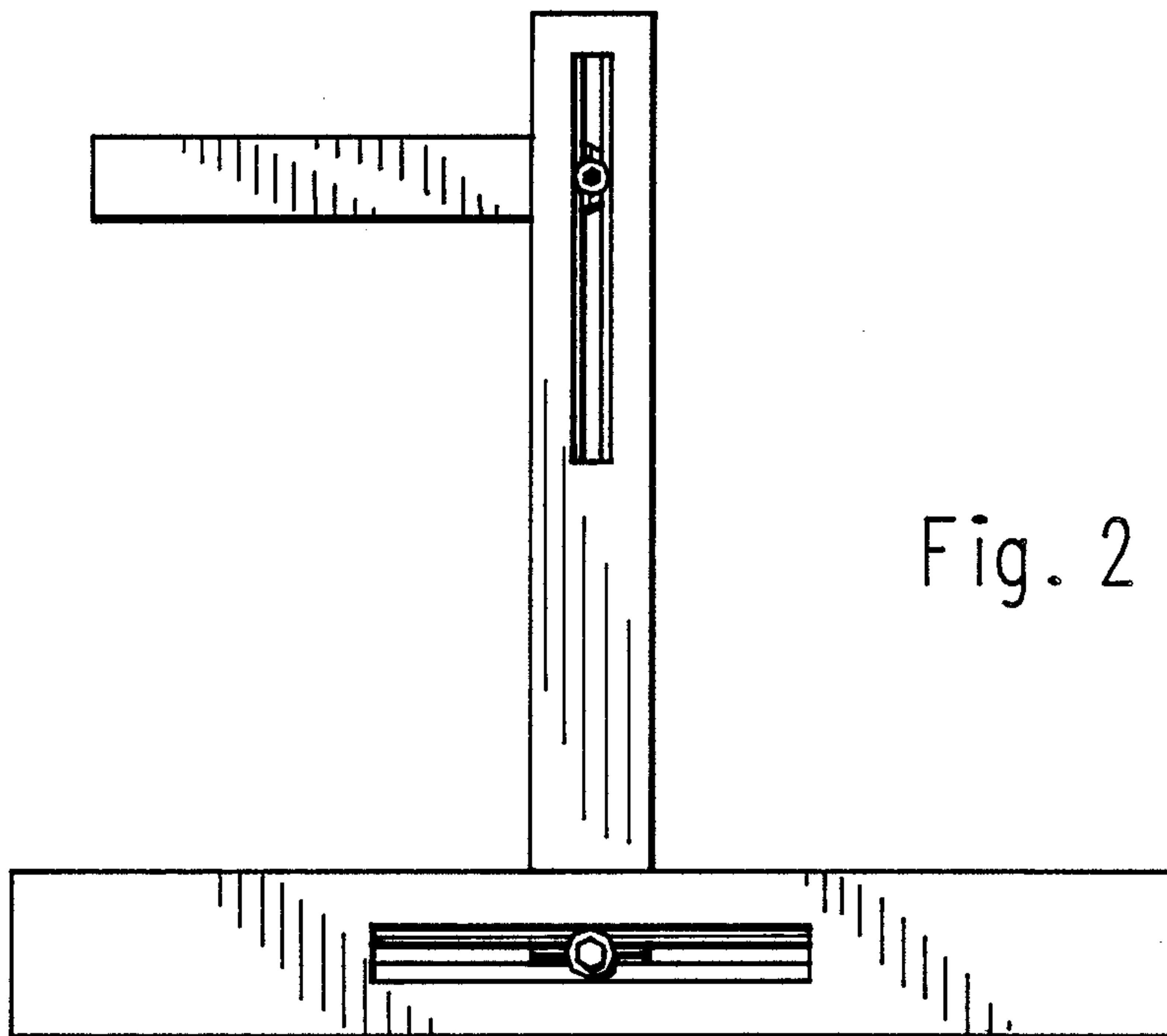
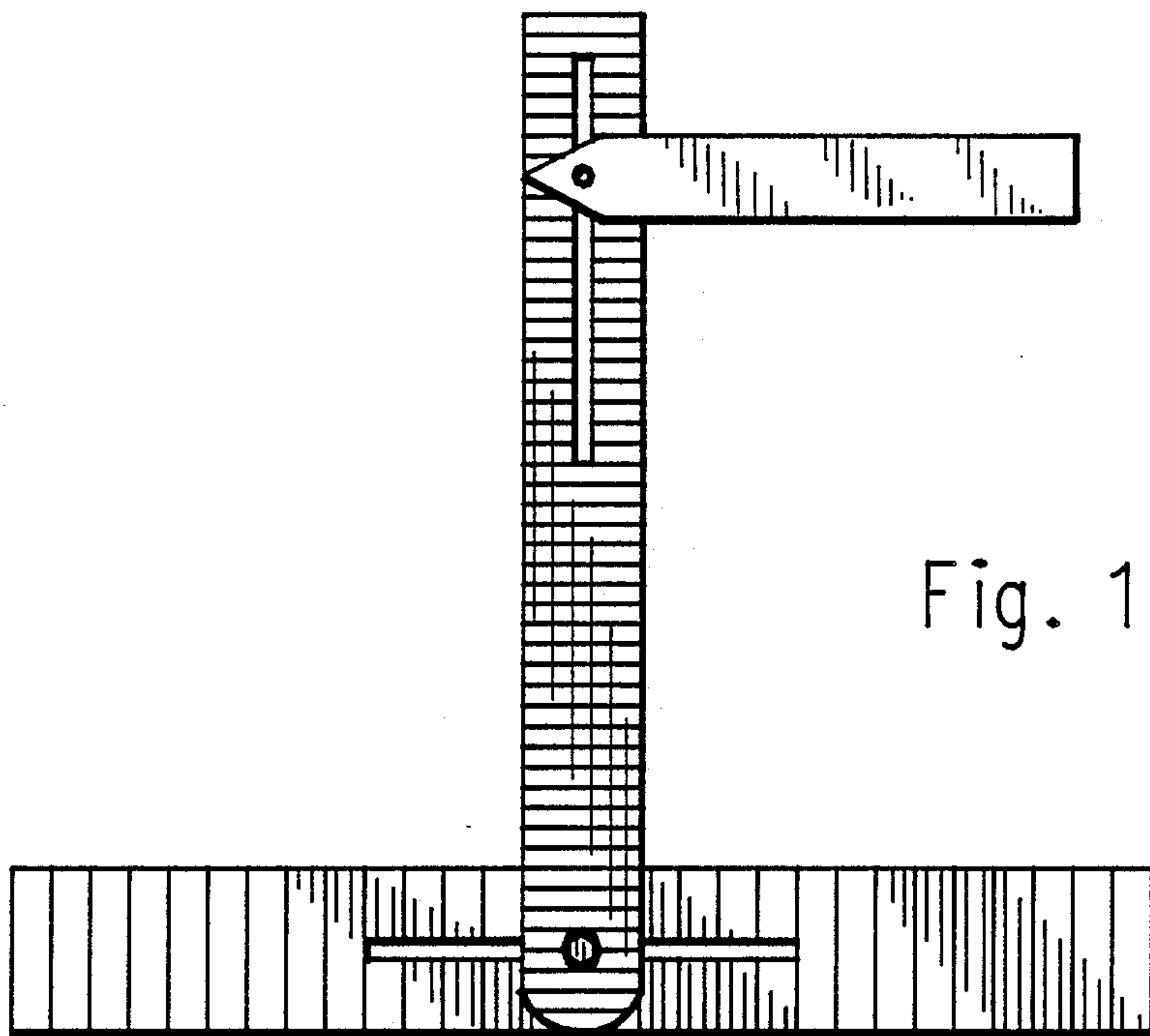




Fig. 3

Fig. 4

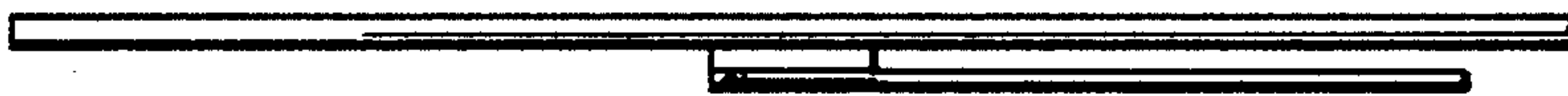


Fig. 5



Fig. 6