

[54] FACE FOR A SNOWMAN OR THE LIKE

[76] Inventor: John J. Moore, 1934 Elmore,
Downers Grove, Ill. 60515

[**] Term: 14 Years

[21] Appl. No.: 922,880

[22] Filed: Oct. 24, 1986

[52] U.S. Cl. D21/190

[58] Field of Search D21/189, 190; 446/100

[56] References Cited

U.S. PATENT DOCUMENTS

1,340,512	5/1920	Wild	446/100
2,019,516	11/1935	Weinberg	446/100
2,843,970	7/1958	Keuls	446/100
3,841,019	10/1974	Lorenzo	446/100

Primary Examiner—Melvin B. Feifer

Attorney, Agent, or Firm—Richard Bushnell

[57] CLAIM

The ornamental design for a face for a snowman or the like, as shown and described.

DESCRIPTION

FIG. 1 is a front elevational view of a face for a snowman or the like showing my new design;
FIG. 2 is a side elevation taken from the left of FIG. 1, the opposite side being a mirror image thereof;
FIG. 3 is a rear elevation thereof;
FIG. 4 is a top plan view thereof;
FIG. 5 is a bottom plan view thereof;
FIG. 6 is a section taken along line 6—6 in FIG. 1;
FIG. 7 is a section taken along line 7—7 in FIG. 1;
FIG. 8 is a section taken along line 8—8 in FIG. 1; and
FIG. 9 is a front elevational view of another embodiment of my design.
The broken lines showing of head and anchor elements is for illustrated purposes only.

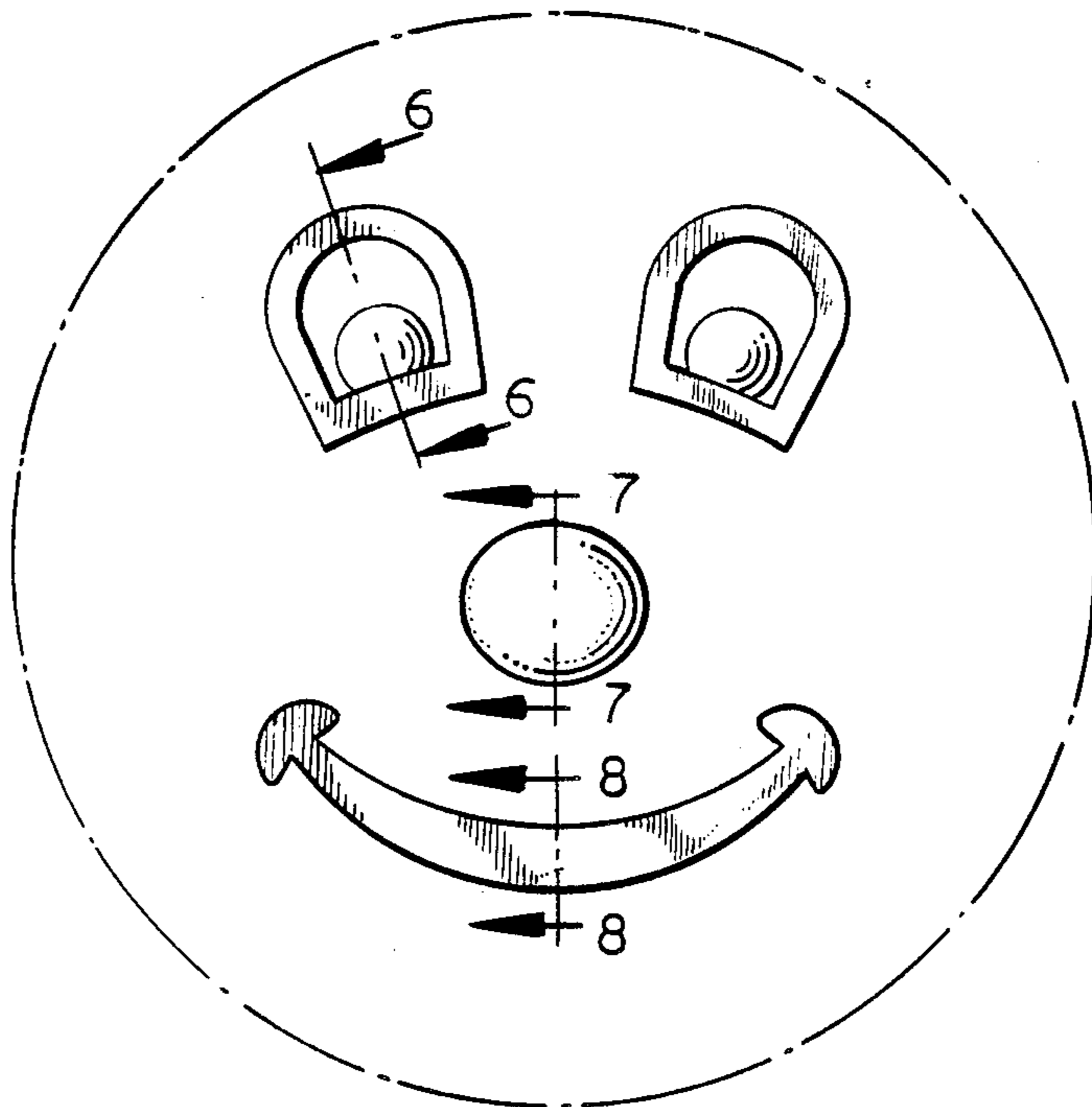


FIG. 1

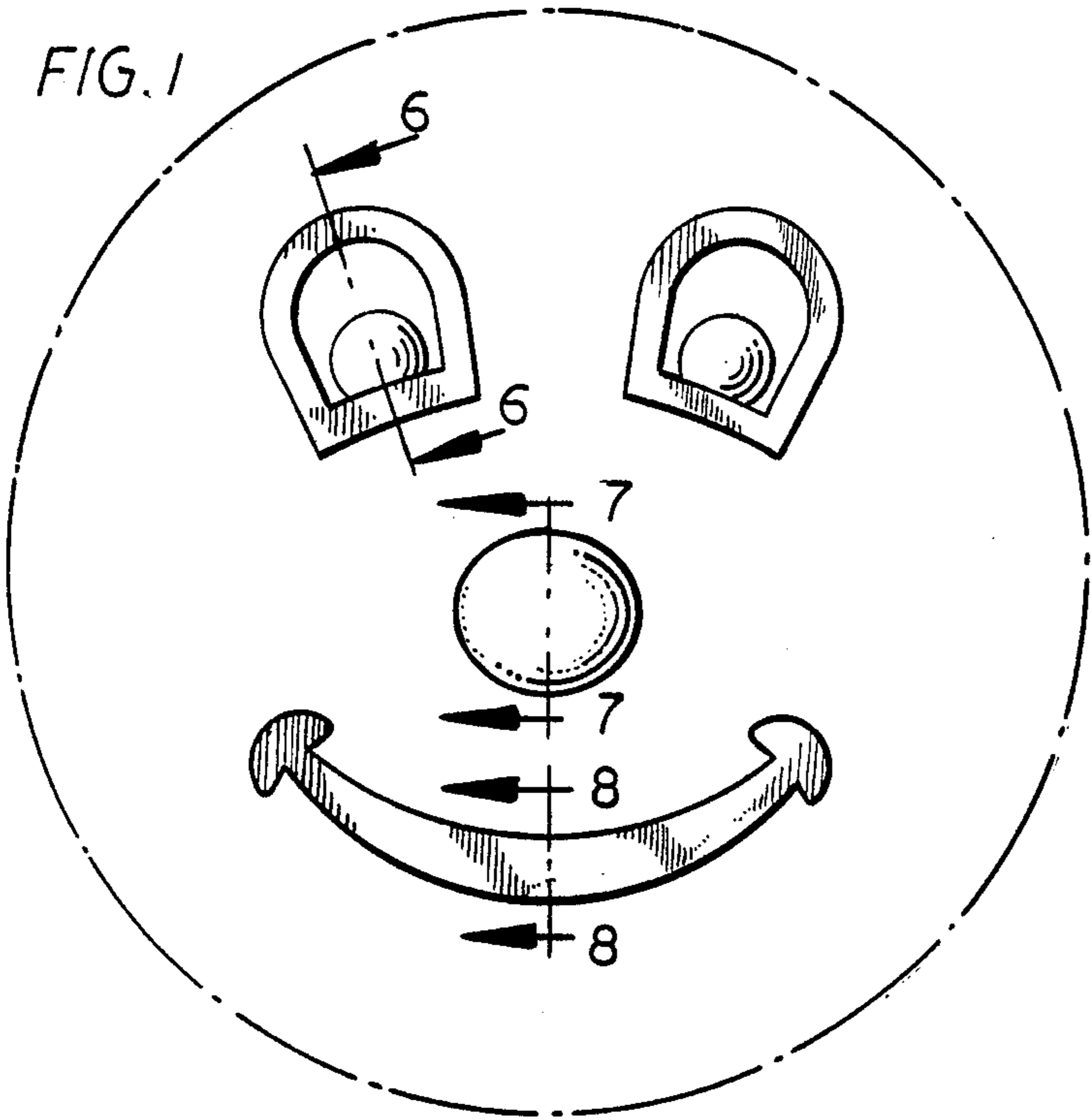


FIG. 2

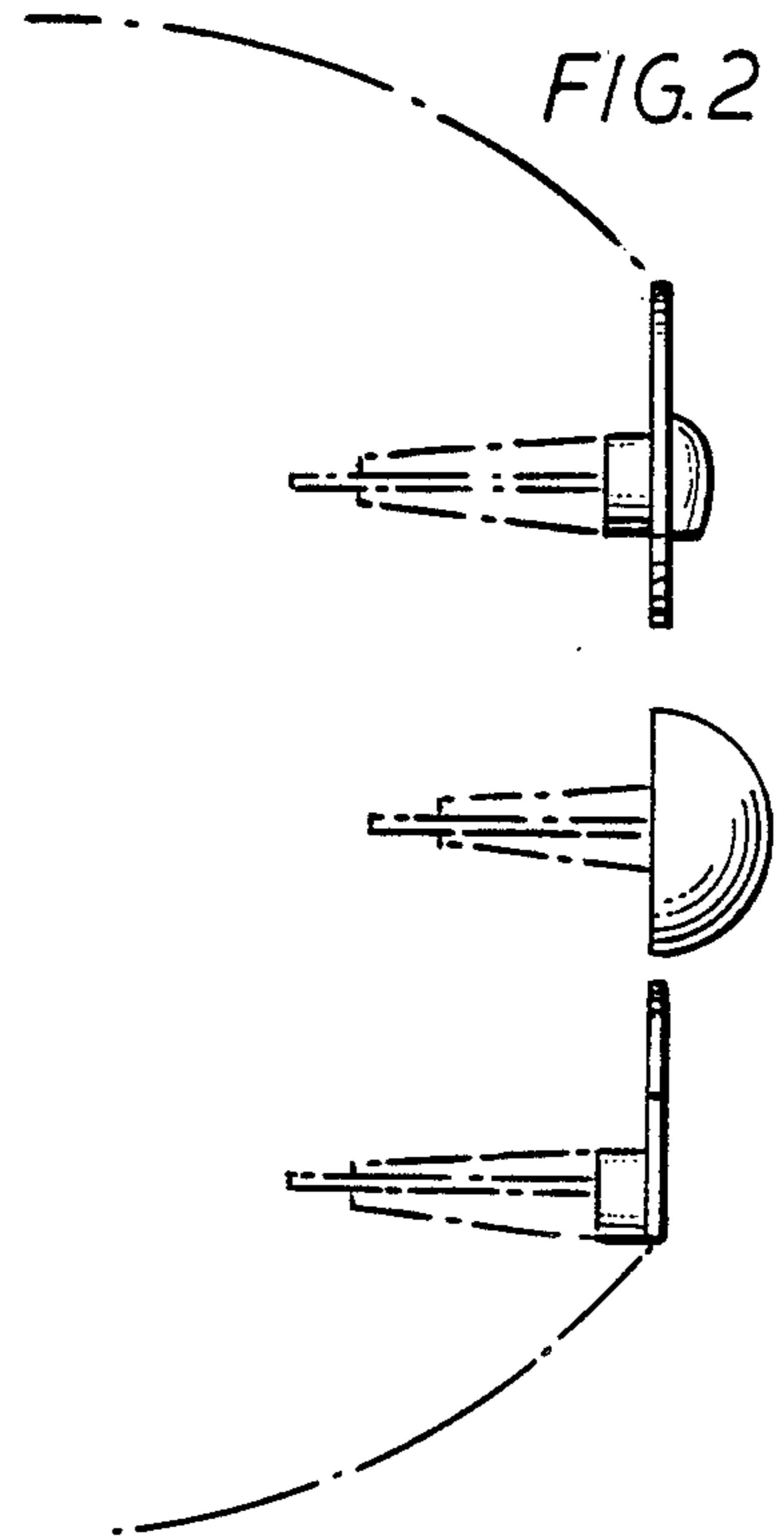


FIG. 3

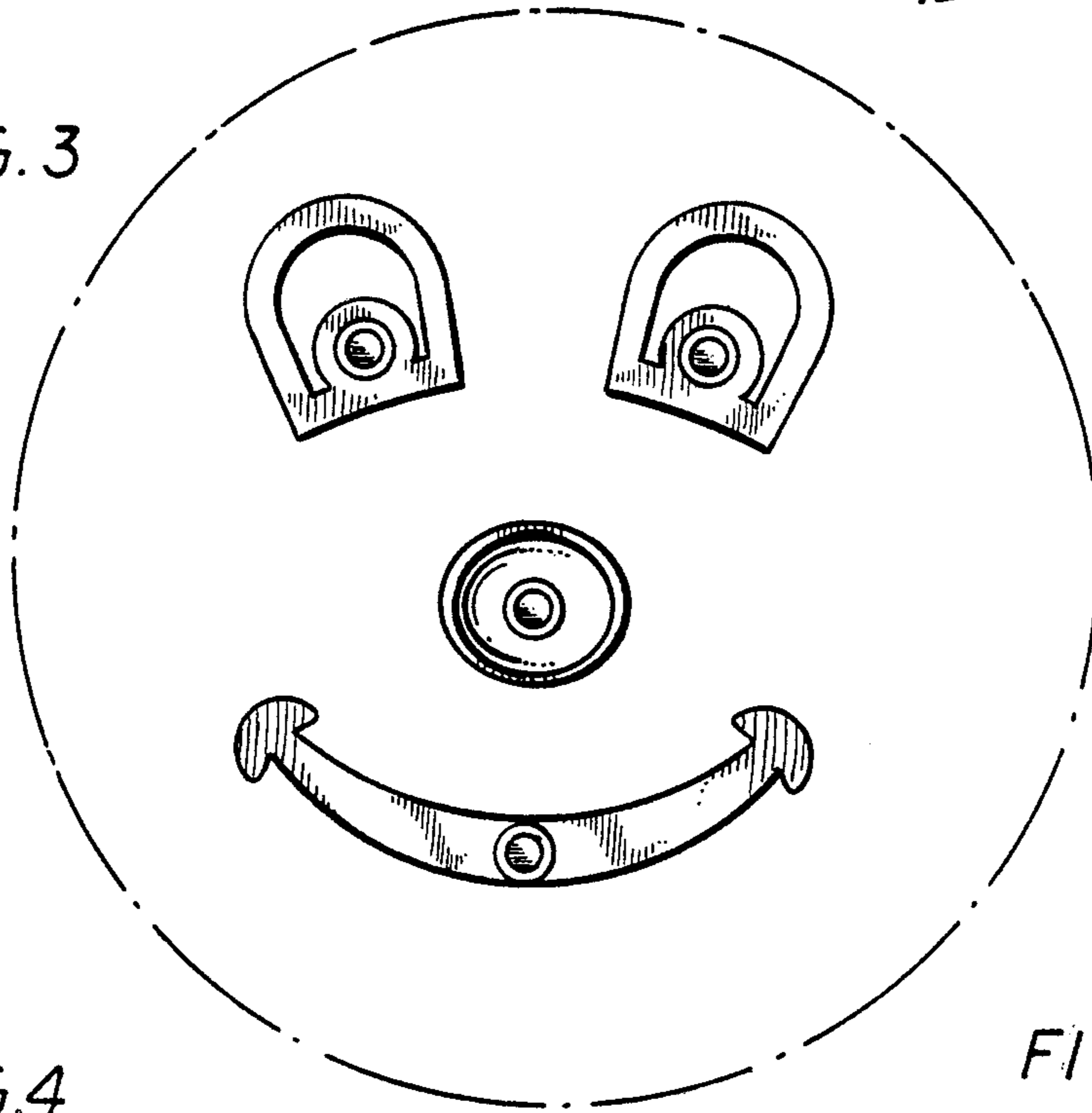


FIG. 4

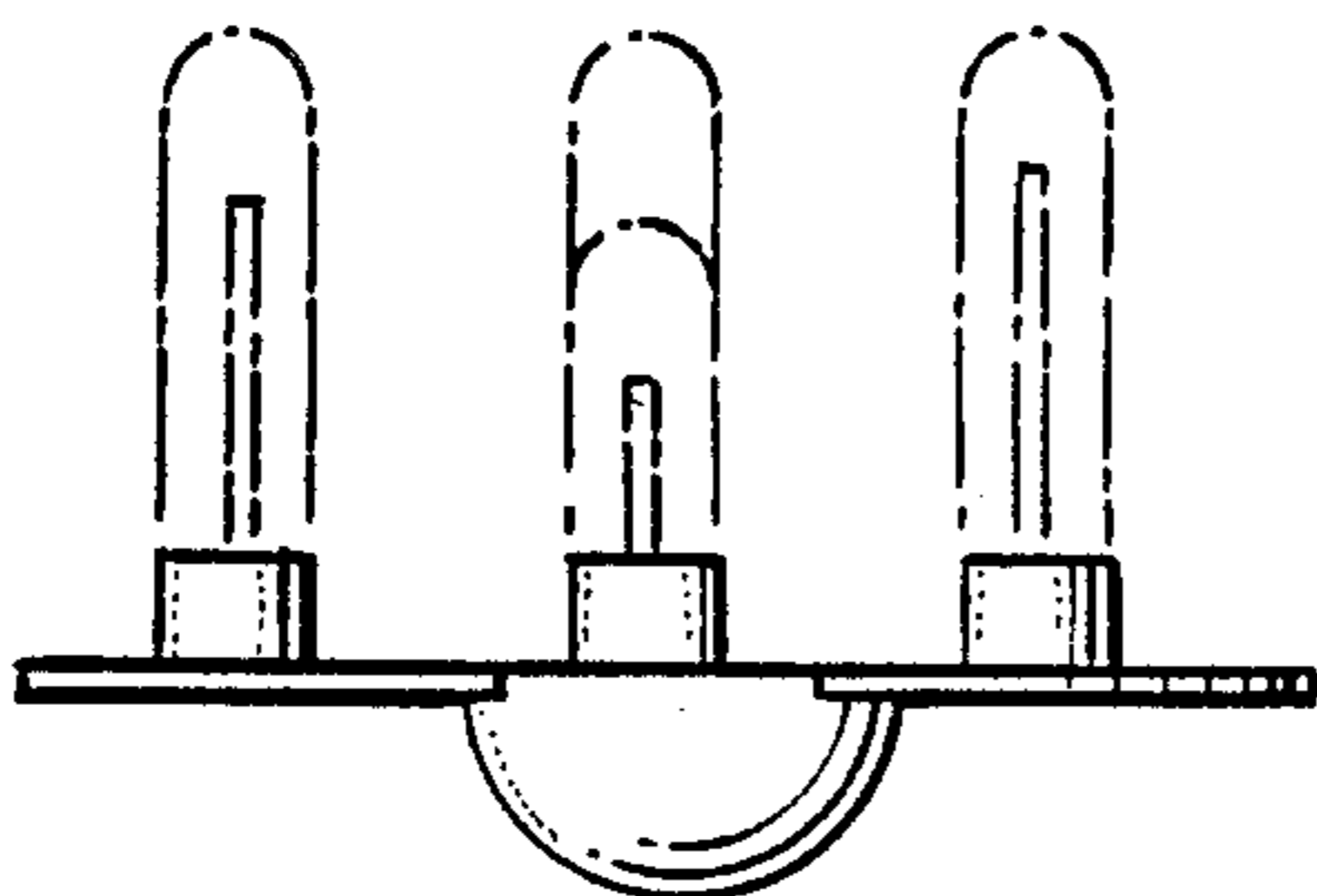


FIG. 5

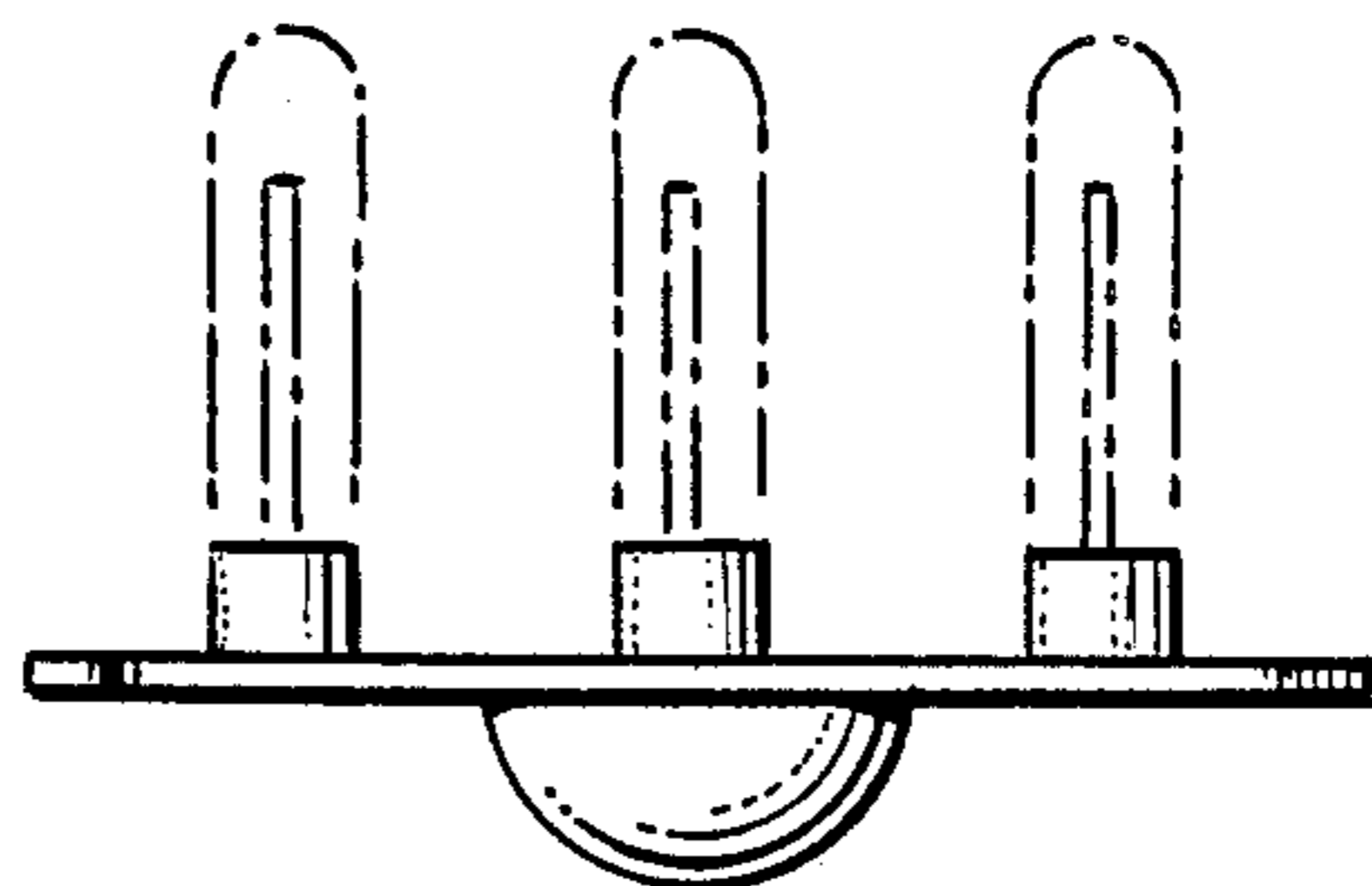


FIG. 6

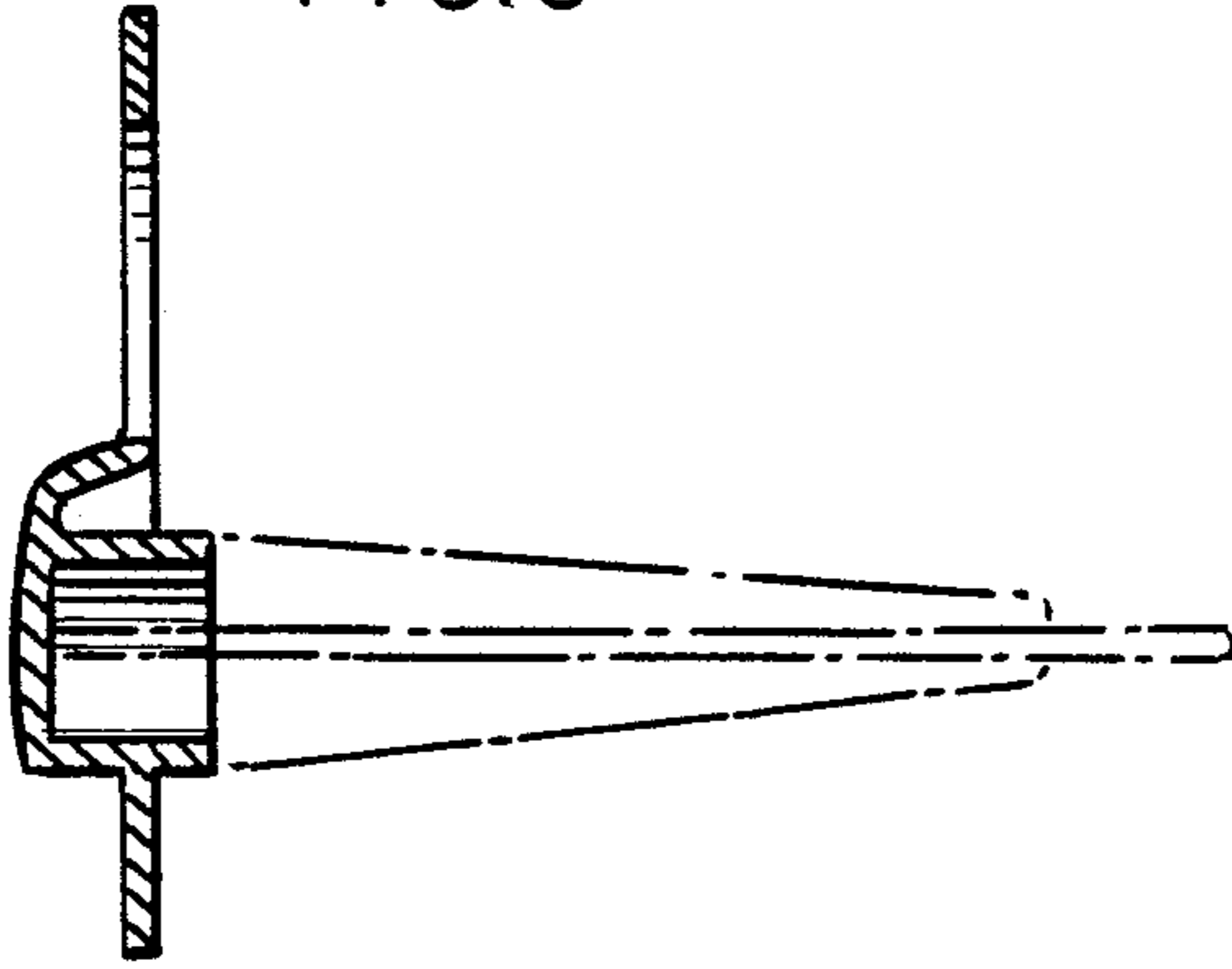


FIG. 7

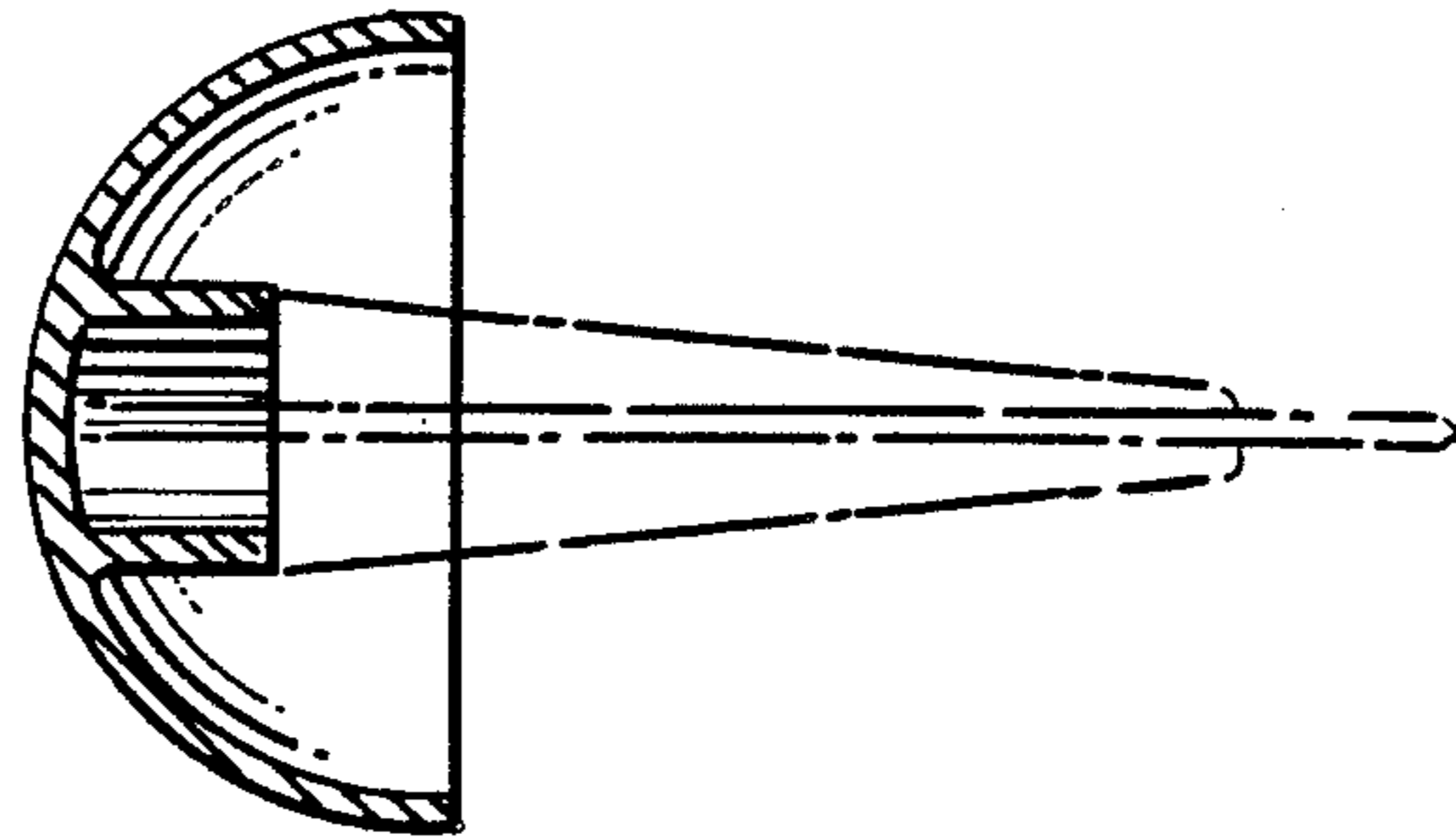


FIG. 8

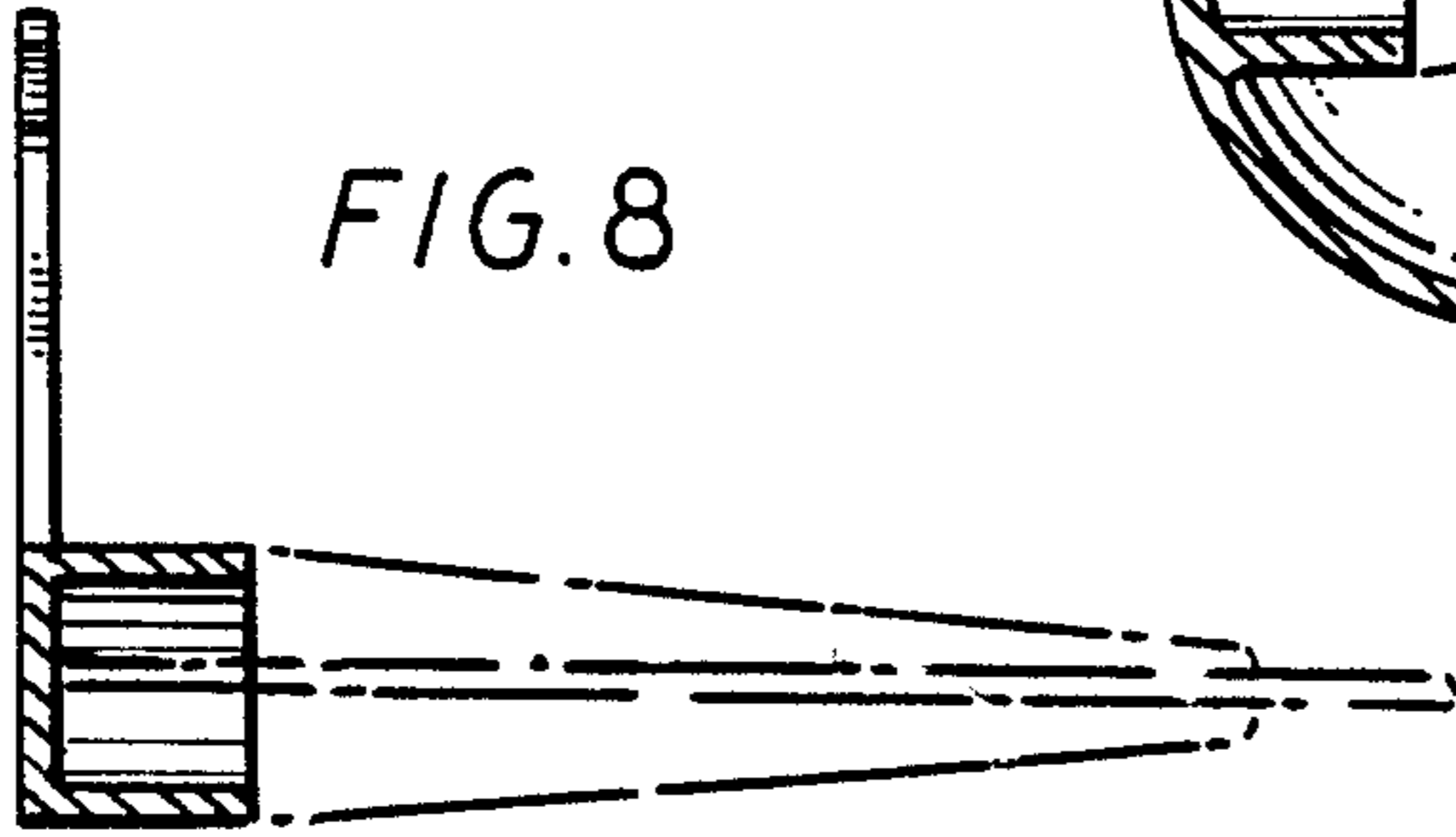


FIG. 9

