

[54] TOY LOADER ATTACHMENT

[56] References Cited

[75] Inventor: Herbert C. Weiland, Rancho Palos Verdes, Calif.

U.S. PATENT DOCUMENTS

D. 285,325 8/1986 Berggreen D21/108

[73] Assignee: Clover Toys, Inc., La Mirada, Calif.

Primary Examiner—Charles A. Rademaker
Assistant Examiner—Alicia A. Farrell
Attorney, Agent, or Firm—G. Donald Weber, Jr.

[**] Term: 14 Years

[57] CLAIM

The ornamental design for a toy loader attachment, as shown and described.

[21] Appl. No.: 208,542

DESCRIPTION

[22] Filed: Jun. 20, 1988

FIG. 1 is a perspective view of a toy loader attachment showing my new design;

[52] U.S. Cl. D21/141

FIG. 2 is a top plan view thereof;

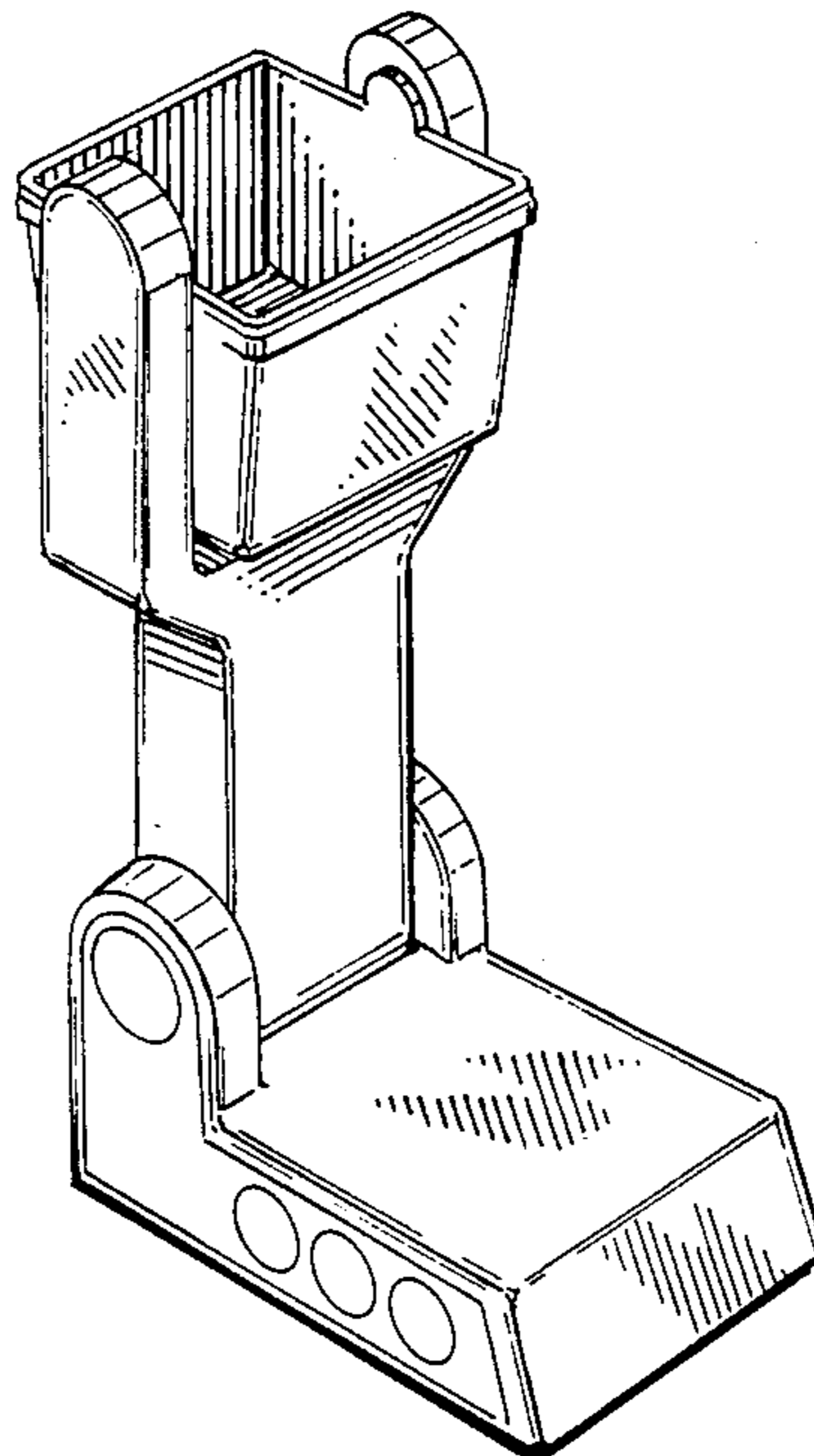
[58] Field of Search D21/89, 108, 114, 133,
D21/134, 139, 141; 446/85, 88, 93, 103, 108,
115, 124

FIG. 3 is a bottom plan view thereof;

FIG. 4 is a side elevational view thereof; the side opposite being a mirror image;

FIG. 5 is a front elevational view thereof; and

FIG. 6 is a rear elevational view thereof.



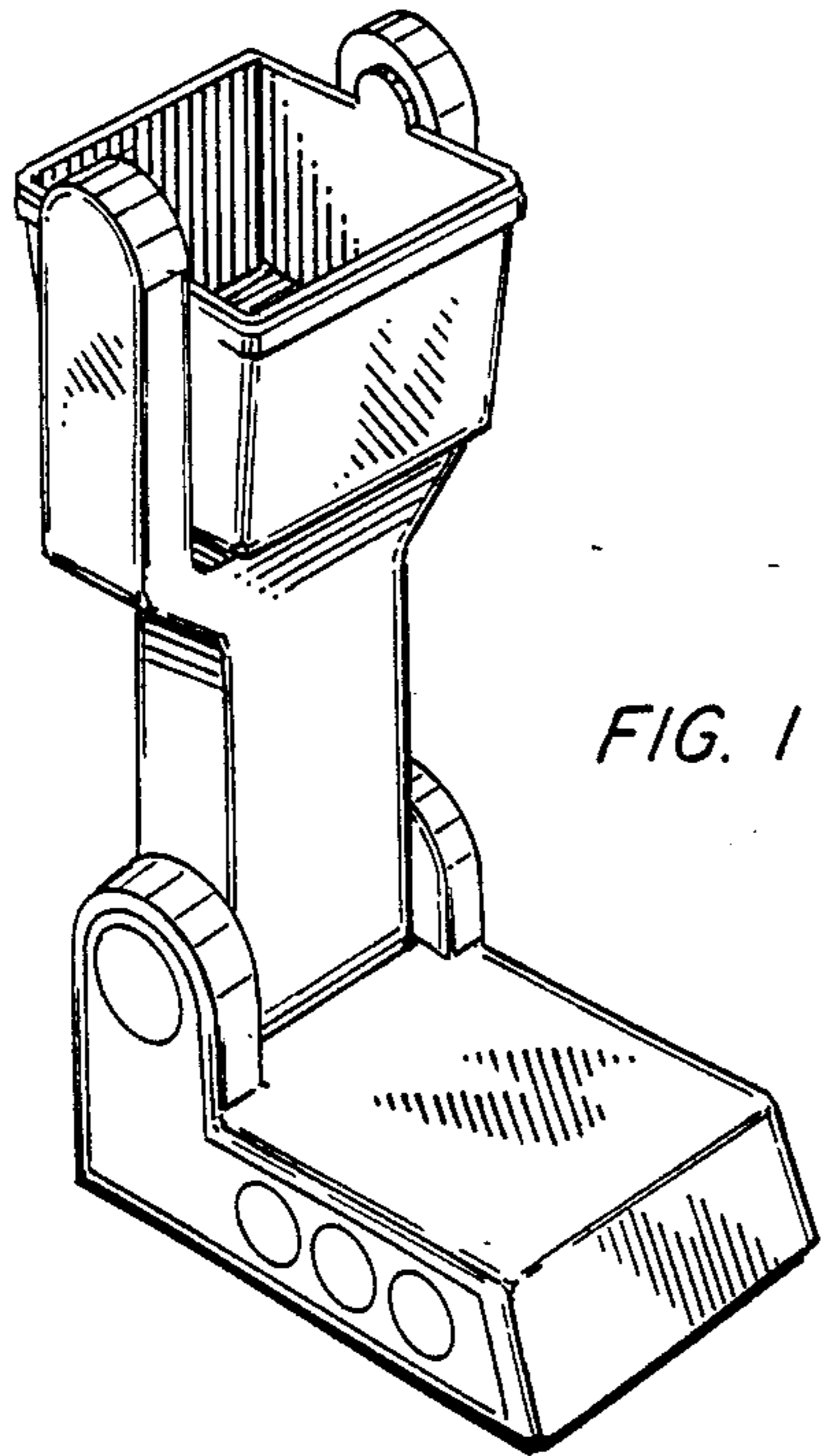


FIG. 1

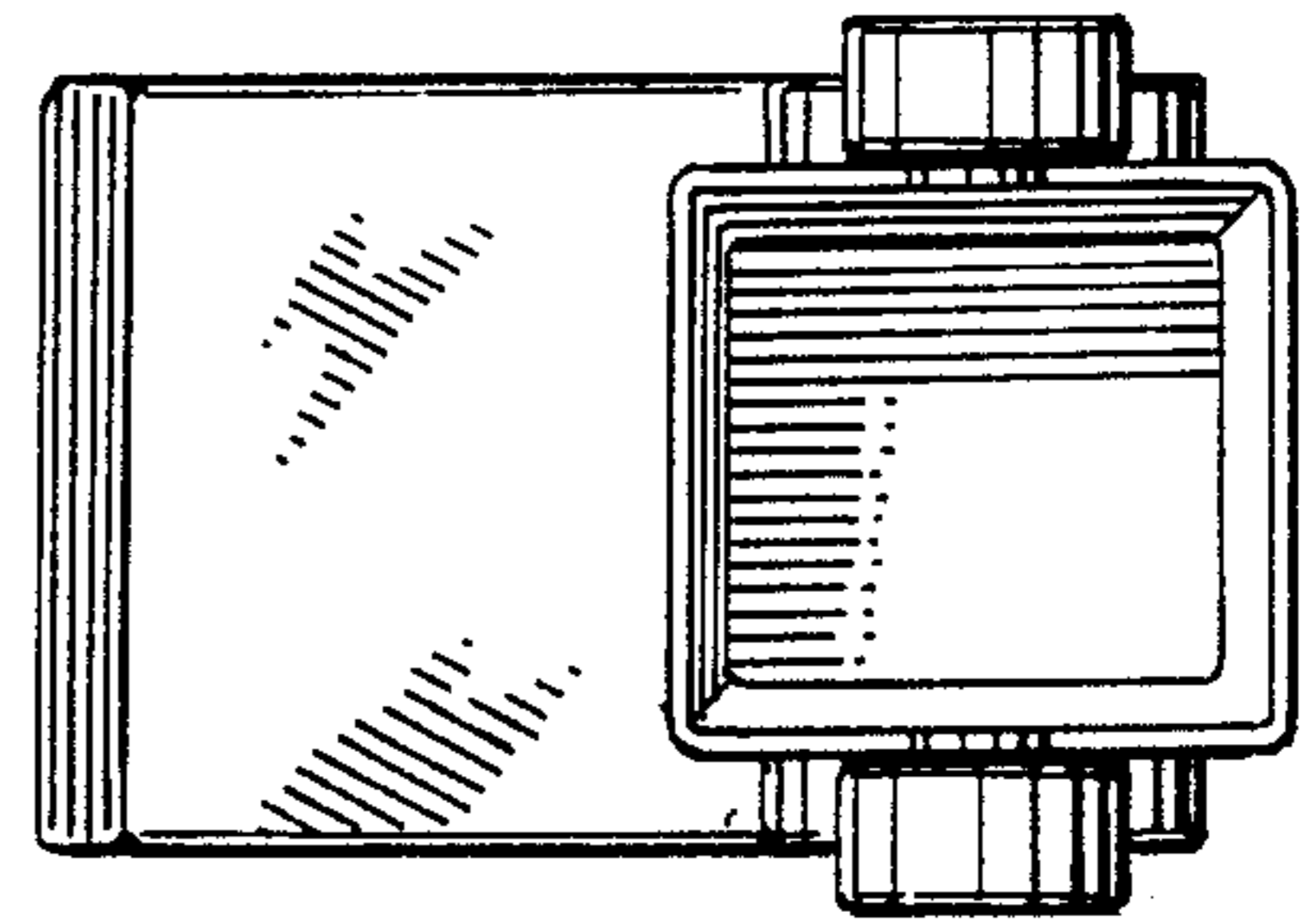


FIG. 2

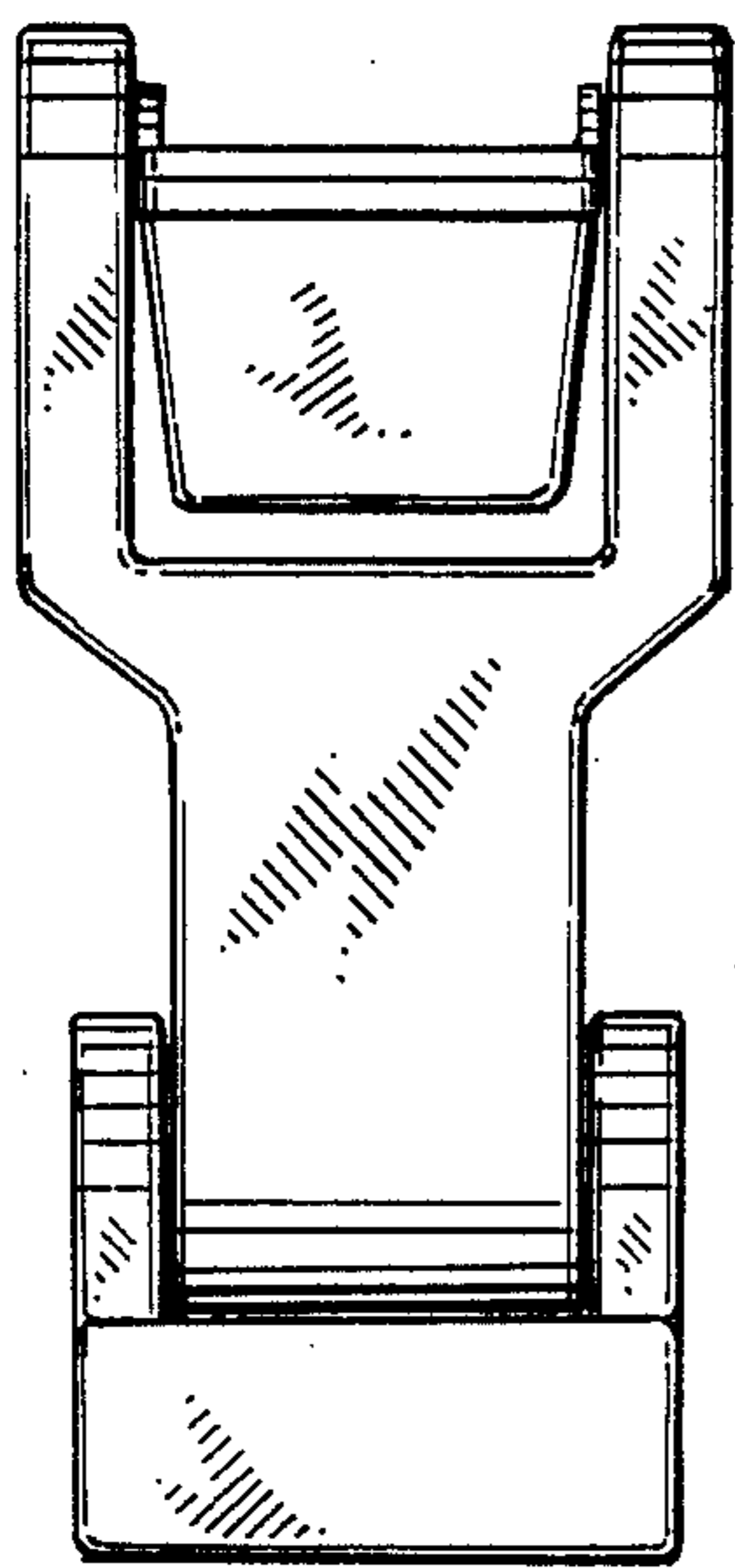


FIG. 6

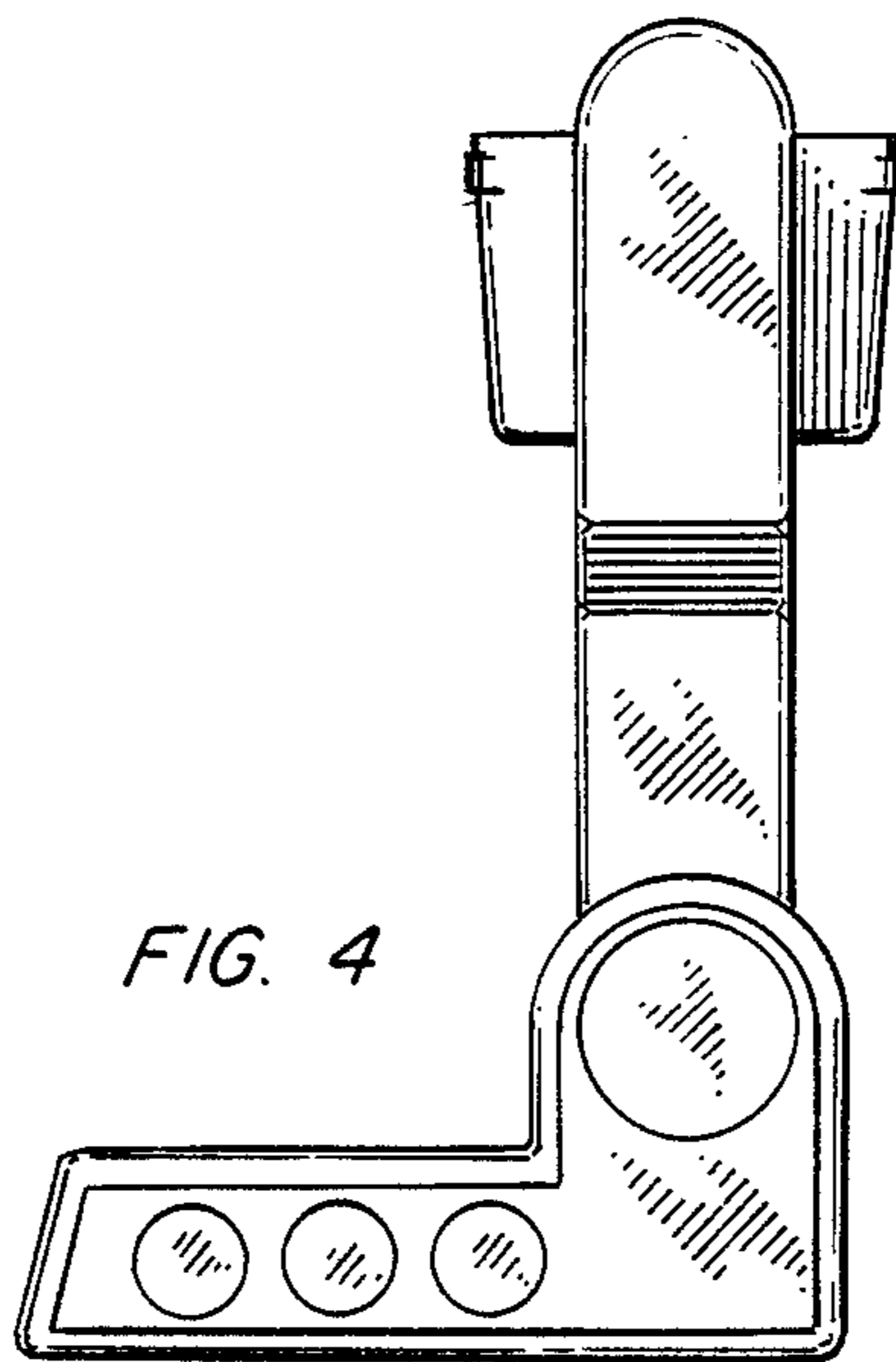


FIG. 4

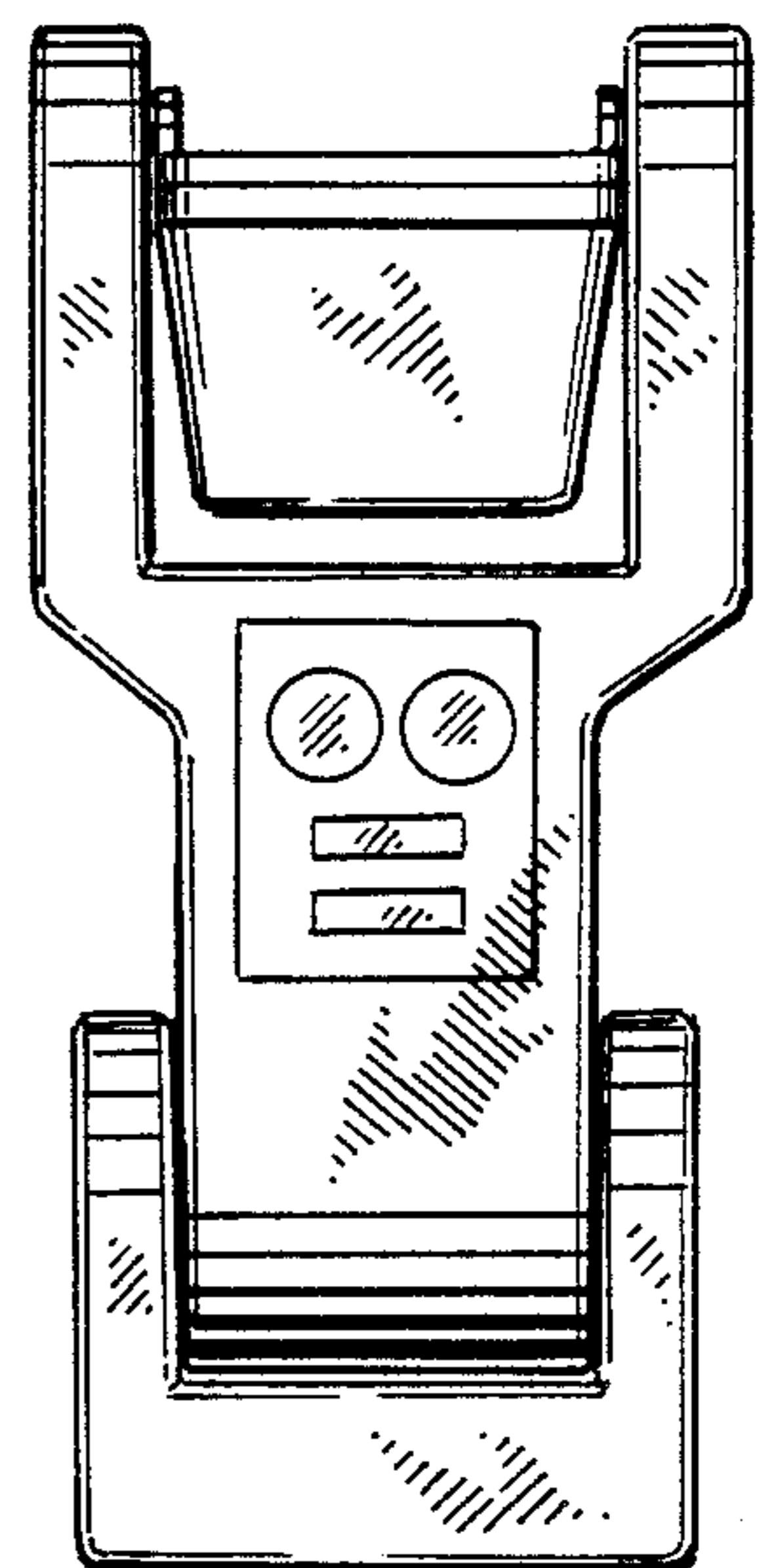


FIG. 5

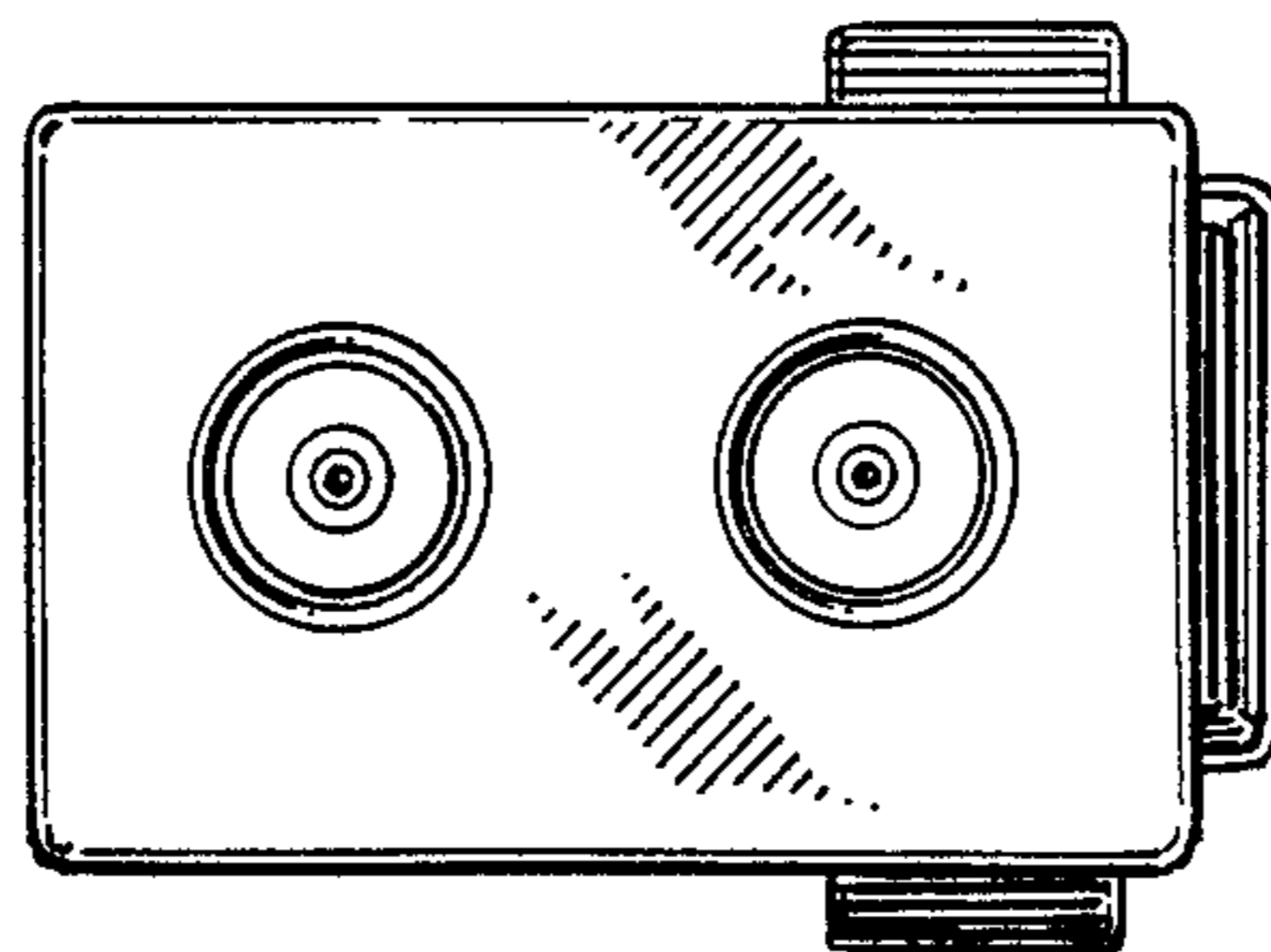


FIG. 3