

[54] TOY AMBULANCE ATTACHMENT

[75] Inventor: Herbert C. Weiland, Rancho Palos Verdes, Calif.

[73] Assignee: Clover Toys, Inc., La Mirada, Calif.

[\*\*] Term: 14 Years

[21] Appl. No.: 208,541

[22] Filed: Jun. 20, 1988

[52] U.S. Cl. .... D21/141; D21/134; D21/133

[58] Field of Search ..... D21/59, 108, 114, 133, D21/134, 139, 141; 446/85, 88, 93, 103, 108, 115, 124

[56] References Cited

U.S. PATENT DOCUMENTS

D. 219,666 1/1971 Gilford ..... D21/139  
D. 272,928 3/1984 Fisher ..... D21/133

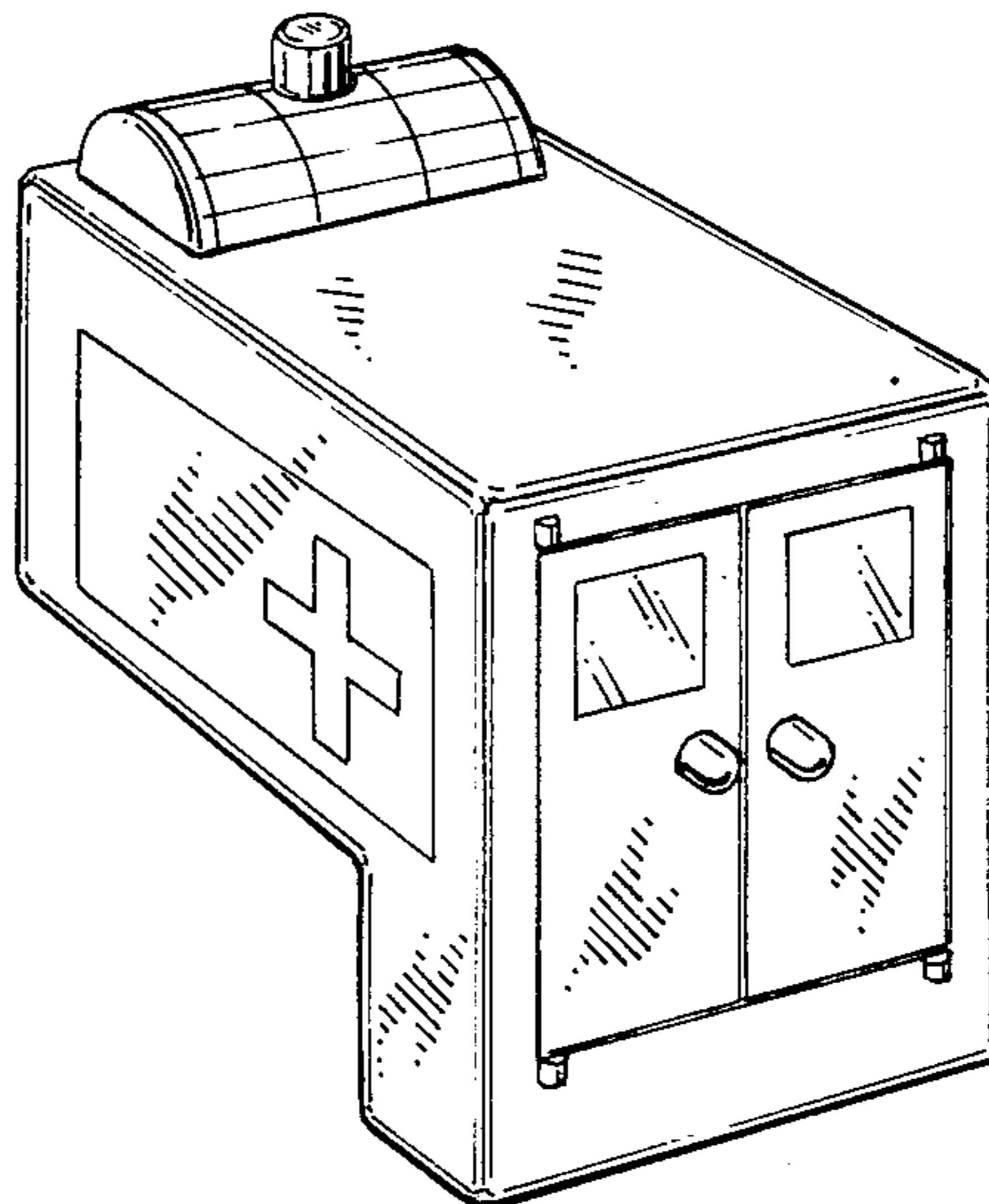
Primary Examiner—Charles A. Rademaker  
Assistant Examiner—Alicia A. Farrell  
Attorney, Agent, or Firm—G. Donald Weber, Jr.

[57] CLAIM

The ornamental design for a toy ambulance attachment, as shown and described.

DESCRIPTION

FIG. 1 is a perspective view of a toy ambulance attachment showing my new design;  
FIG. 2 is a top plan view thereof;  
FIG. 3 is a bottom plan view thereof;  
FIG. 4 is a side elevational view thereof; the side opposite being a mirror image;  
FIG. 5 is a rear elevational view thereof; and  
FIG. 6 is a front elevational view thereof.



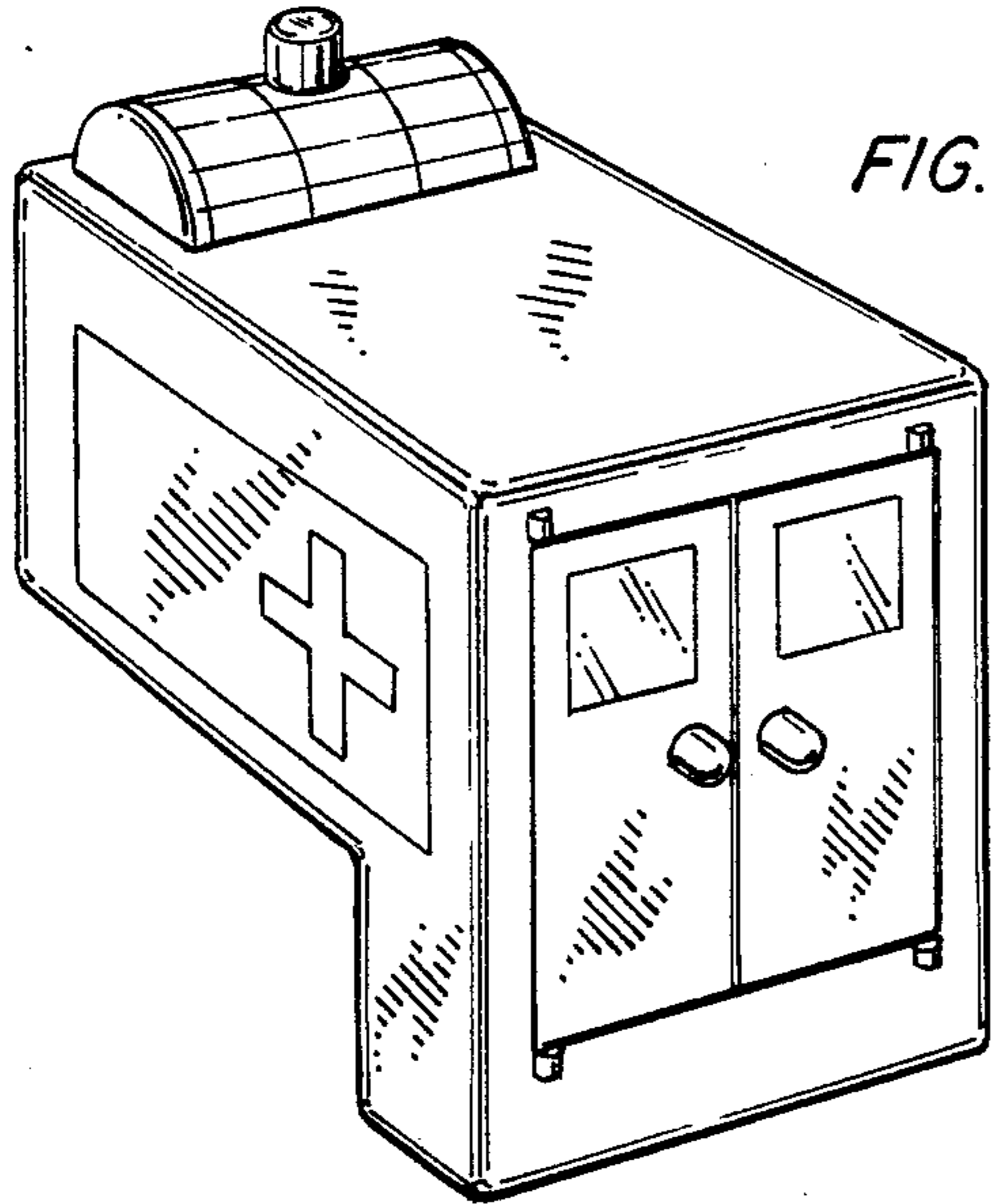


FIG. 1

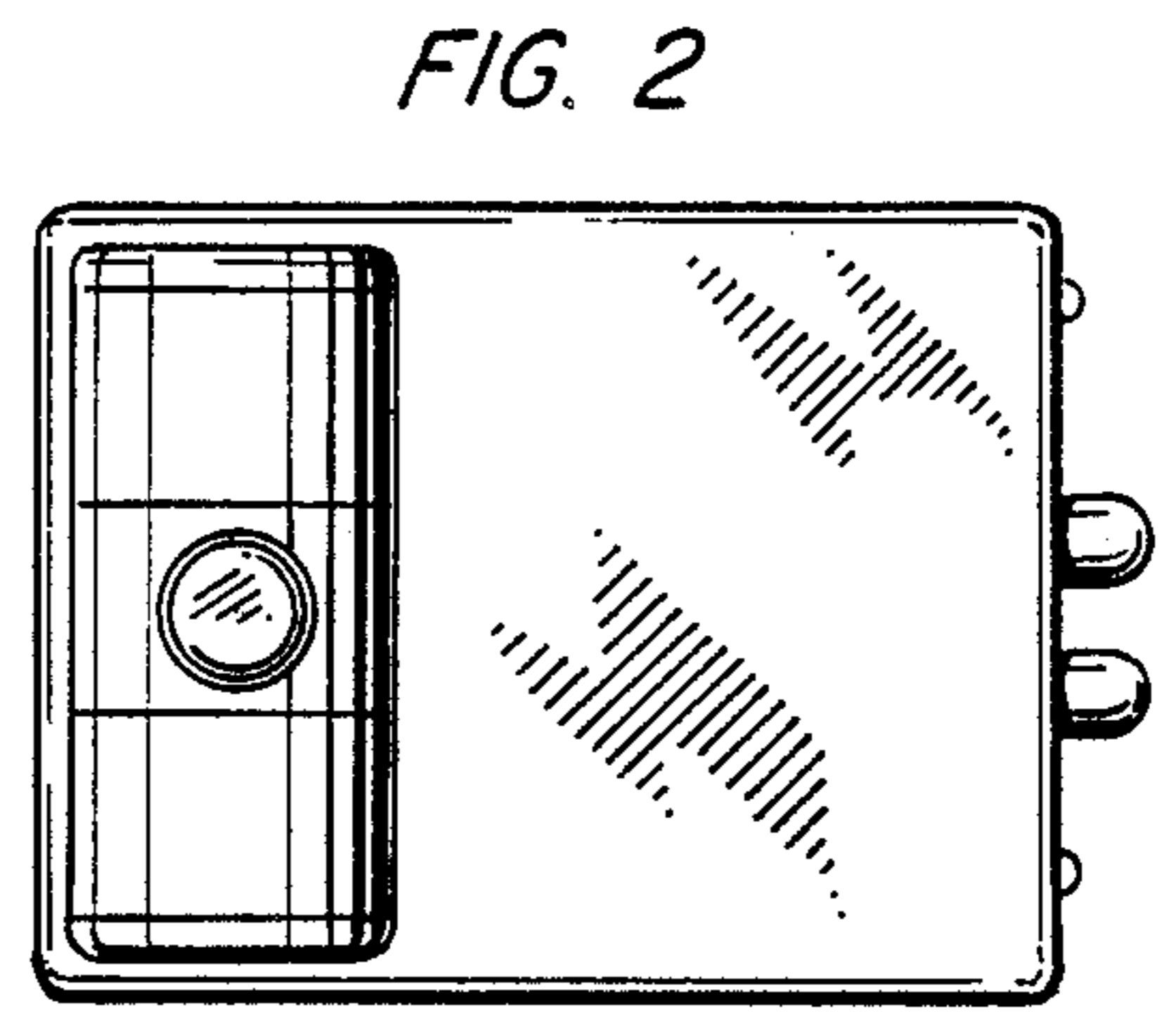


FIG. 2

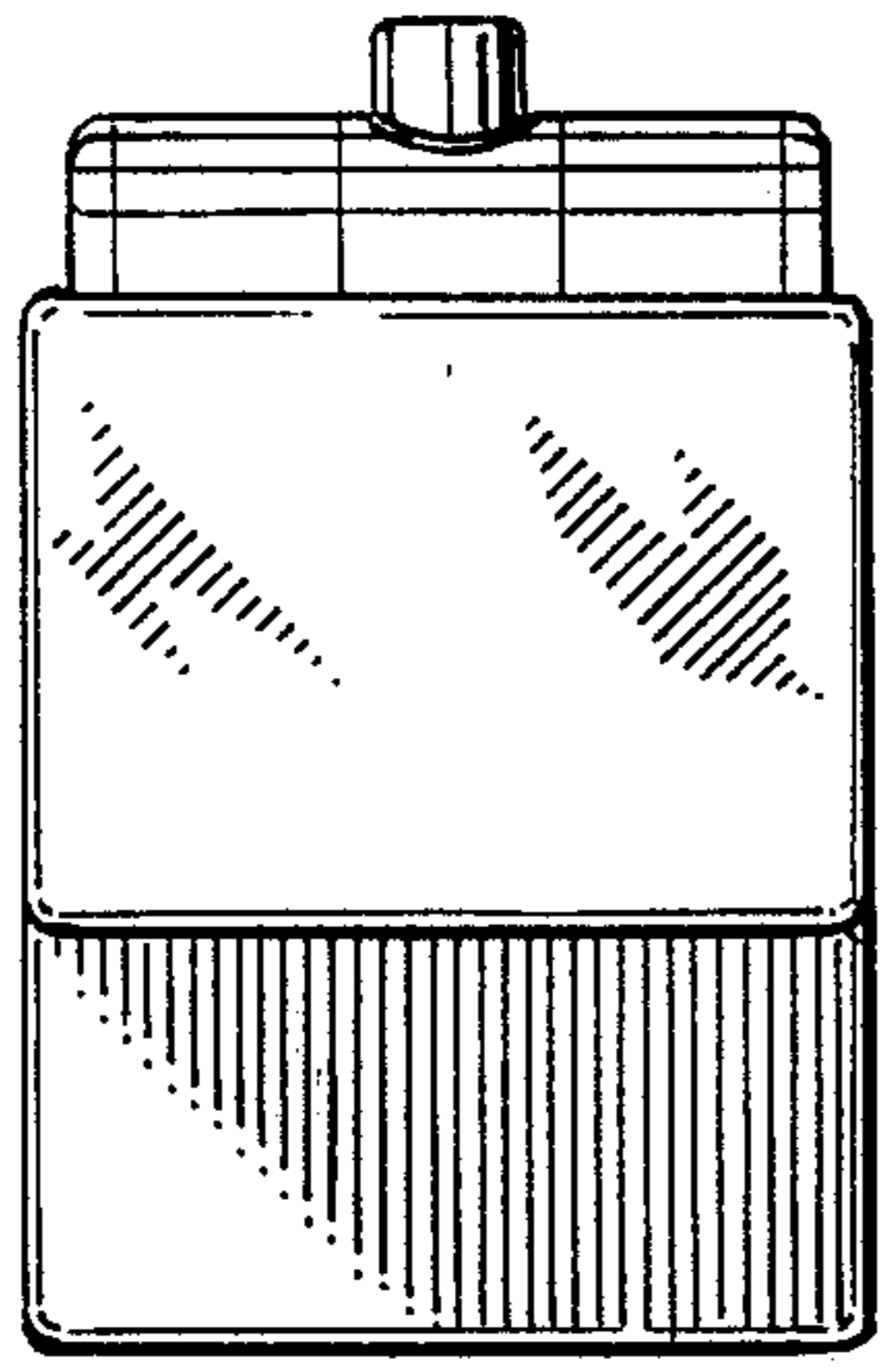


FIG. 6

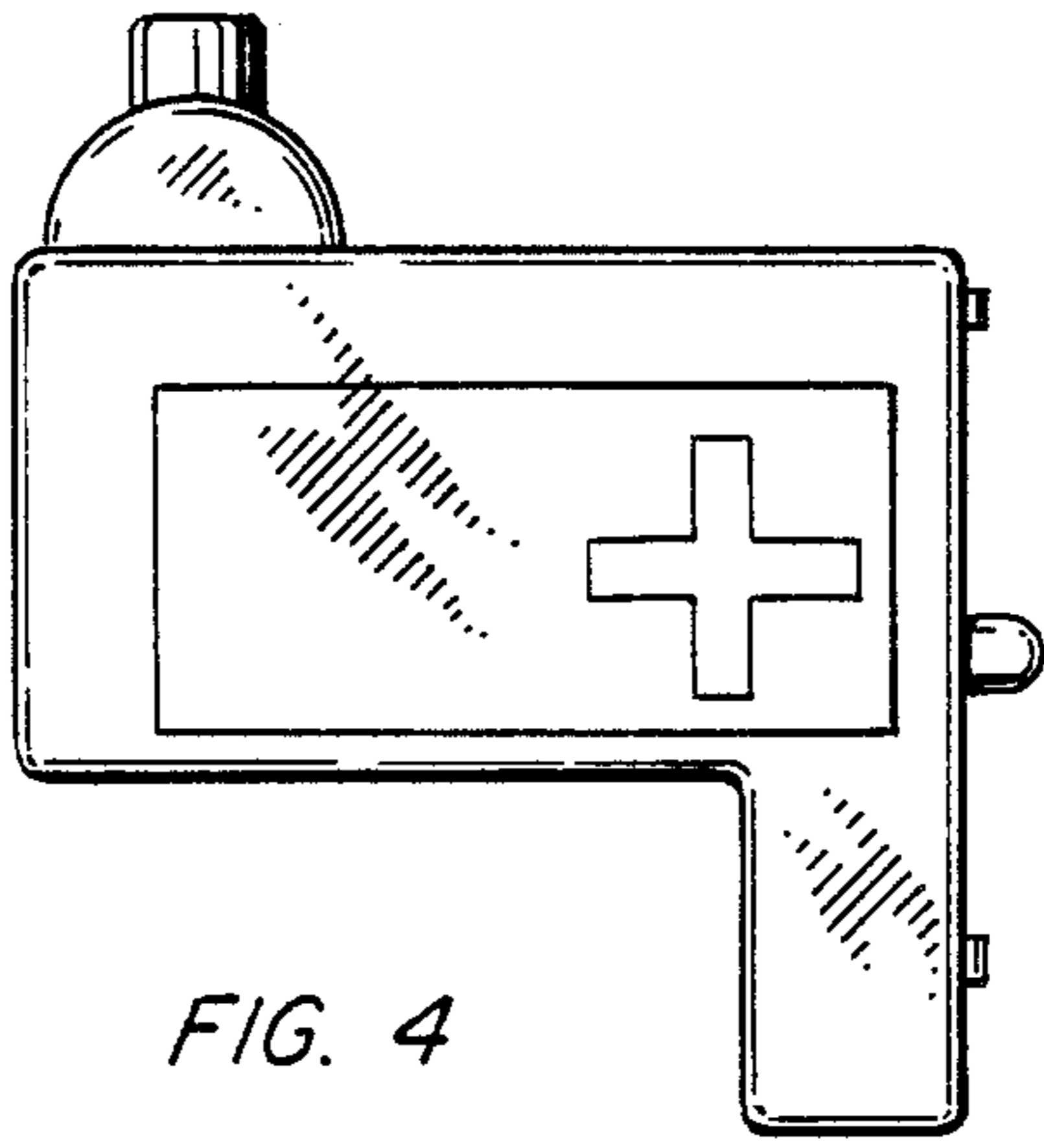


FIG. 4

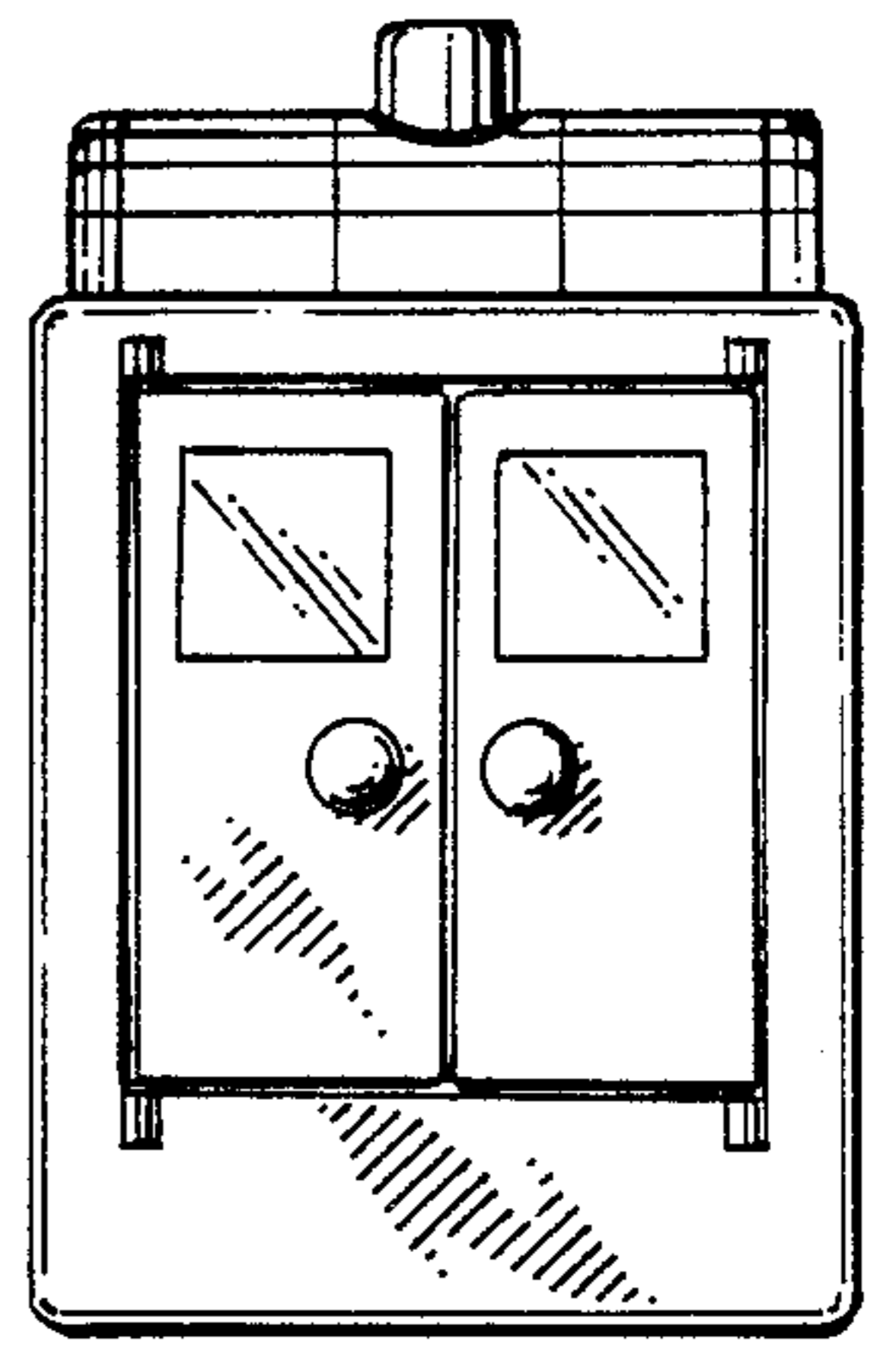


FIG. 5

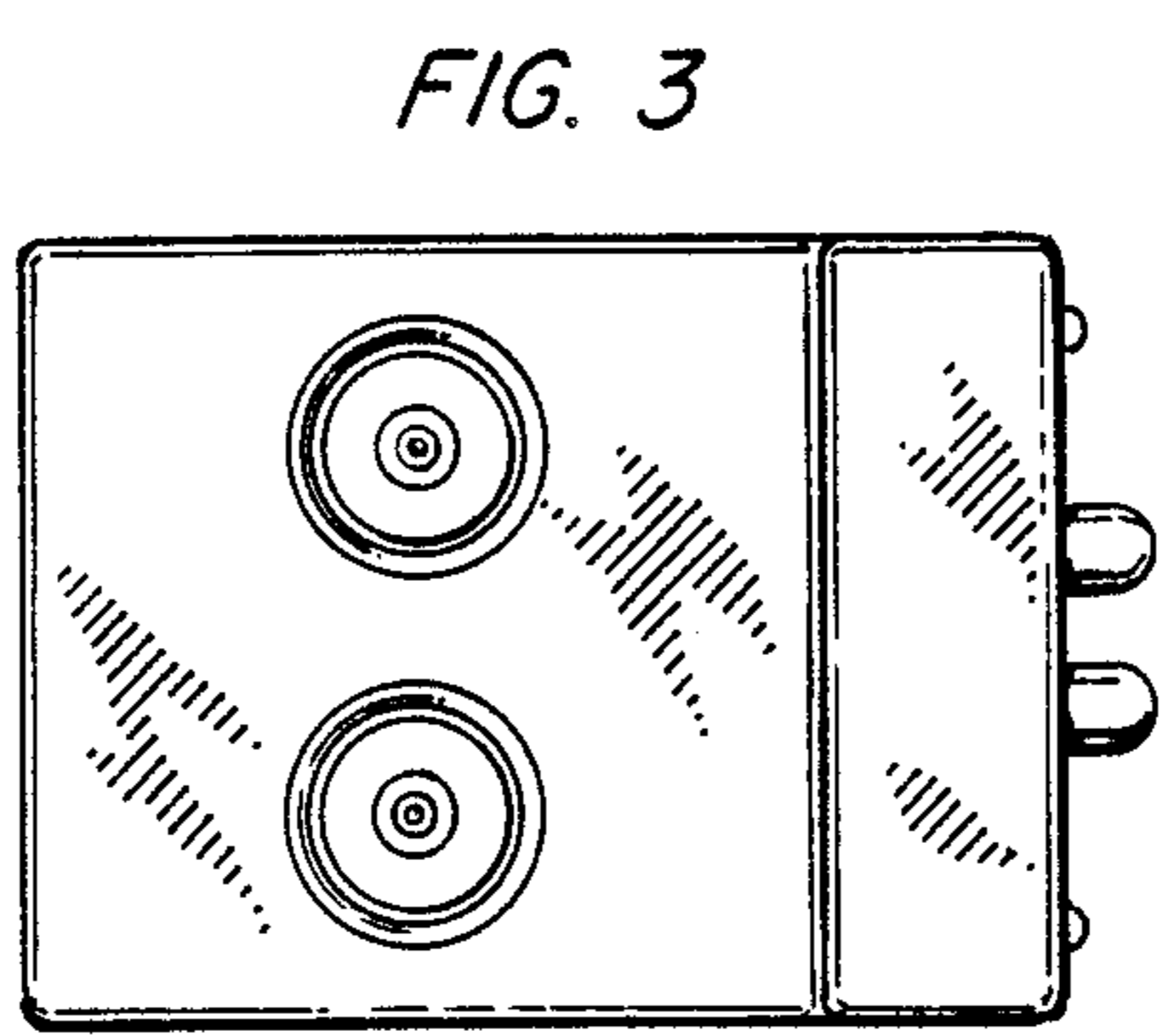


FIG. 3