

[54] TOY CHECK-OUT COUNTER

[75] Inventor: Miriam Kolker, Buffalo, N.Y.

[73] Assignee: The Quaker Oats Company, Chicago, Ill.

[**] Term: 14 Years

[21] Appl. No.: 102,087

[22] Filed: Sep. 29, 1987

[52] U.S. Cl. D21/109

[58] Field of Search D21/59, 109, 111, 121, D21/124; 446/424, 483, 479, 491; D6/402

[56] References Cited

U.S. PATENT DOCUMENTS

- D. 189,773 2/1961 Larson D6/402
- D. 192,898 5/1962 Hittinger D6/402
- D. 195,016 4/1963 Sperry et al. D6/402

OTHER PUBLICATIONS

Zephyr Catalog, 3-1958, Stand, front cover.
Mattel Catalog, 3-1987, p. 103, #3089, Fruit Market.

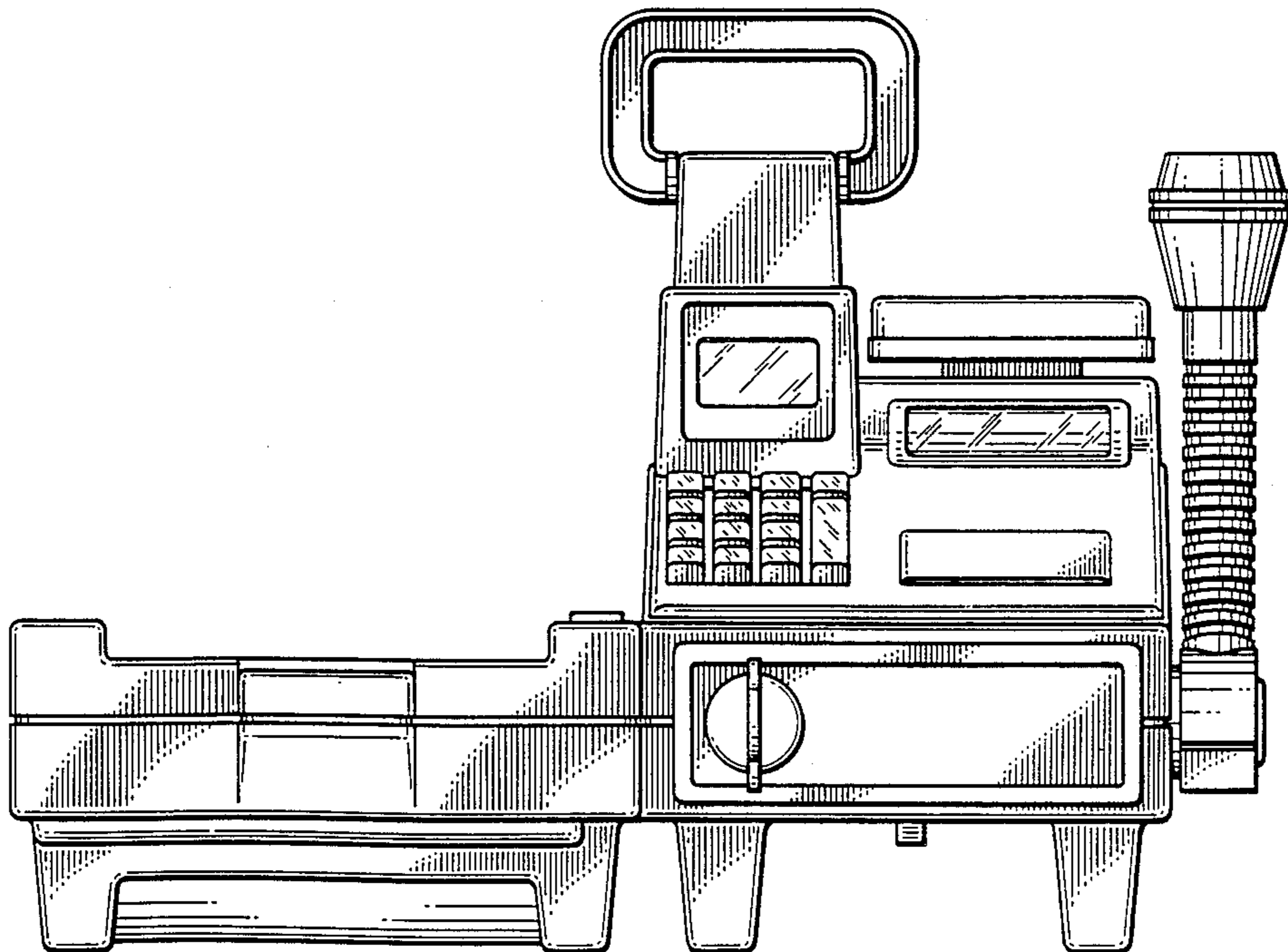
Primary Examiner—Charles A. Rademaker
Attorney, Agent, or Firm—Cumpston & Shaw

[57] CLAIM

The ornamental design for a toy check-out counter, as shown and described.

DESCRIPTION

FIG. 1 is a front-elevational view of a toy check-out counter showing my new design;
FIG. 2 is a top plan view thereof;
FIG. 3 is a right-side elevational view thereof;
FIG. 4 is a left-side elevational view thereof;
FIG. 5 is a rear elevational view thereof;
FIG. 6 is a bottom plan view.



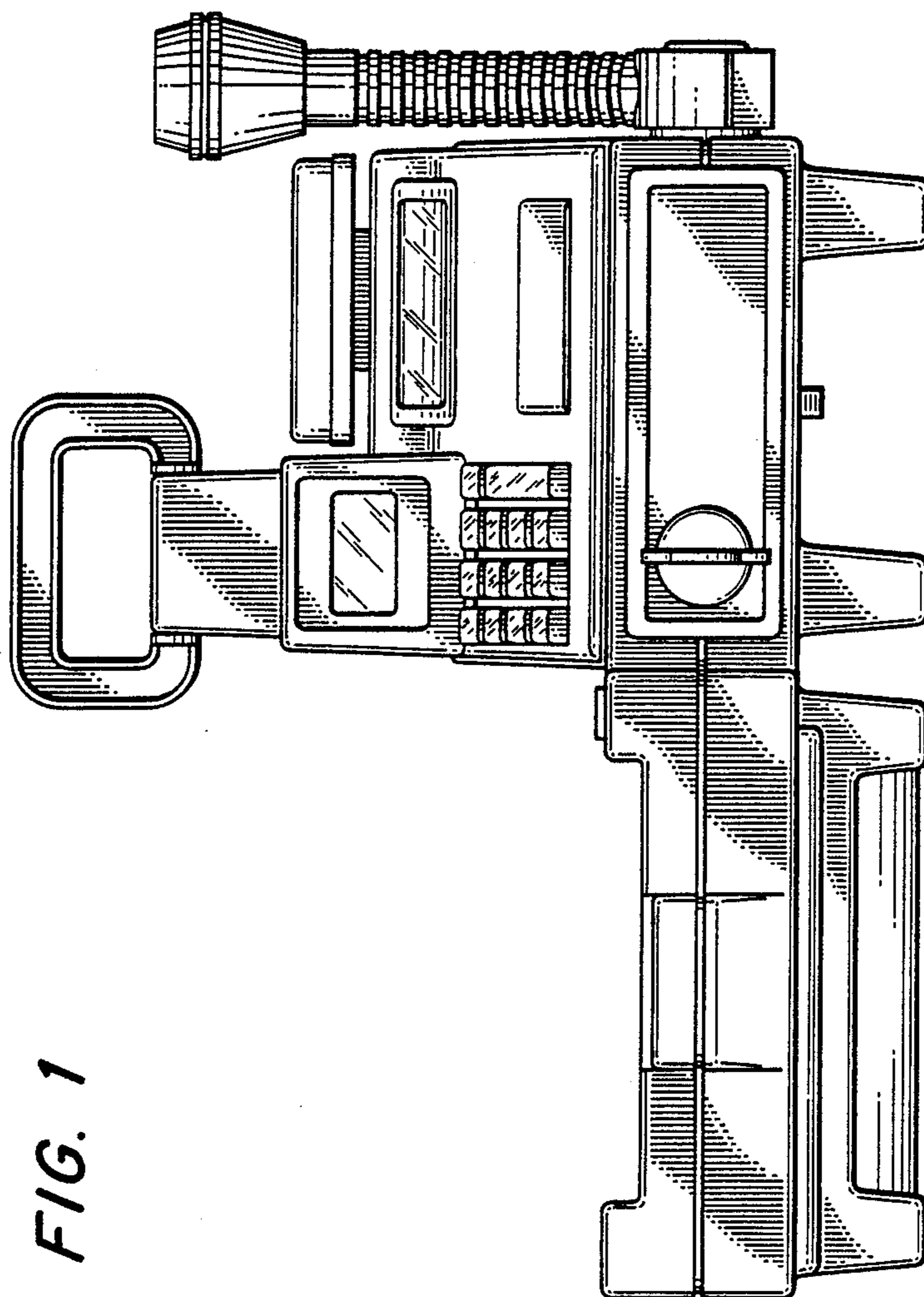


FIG. 1

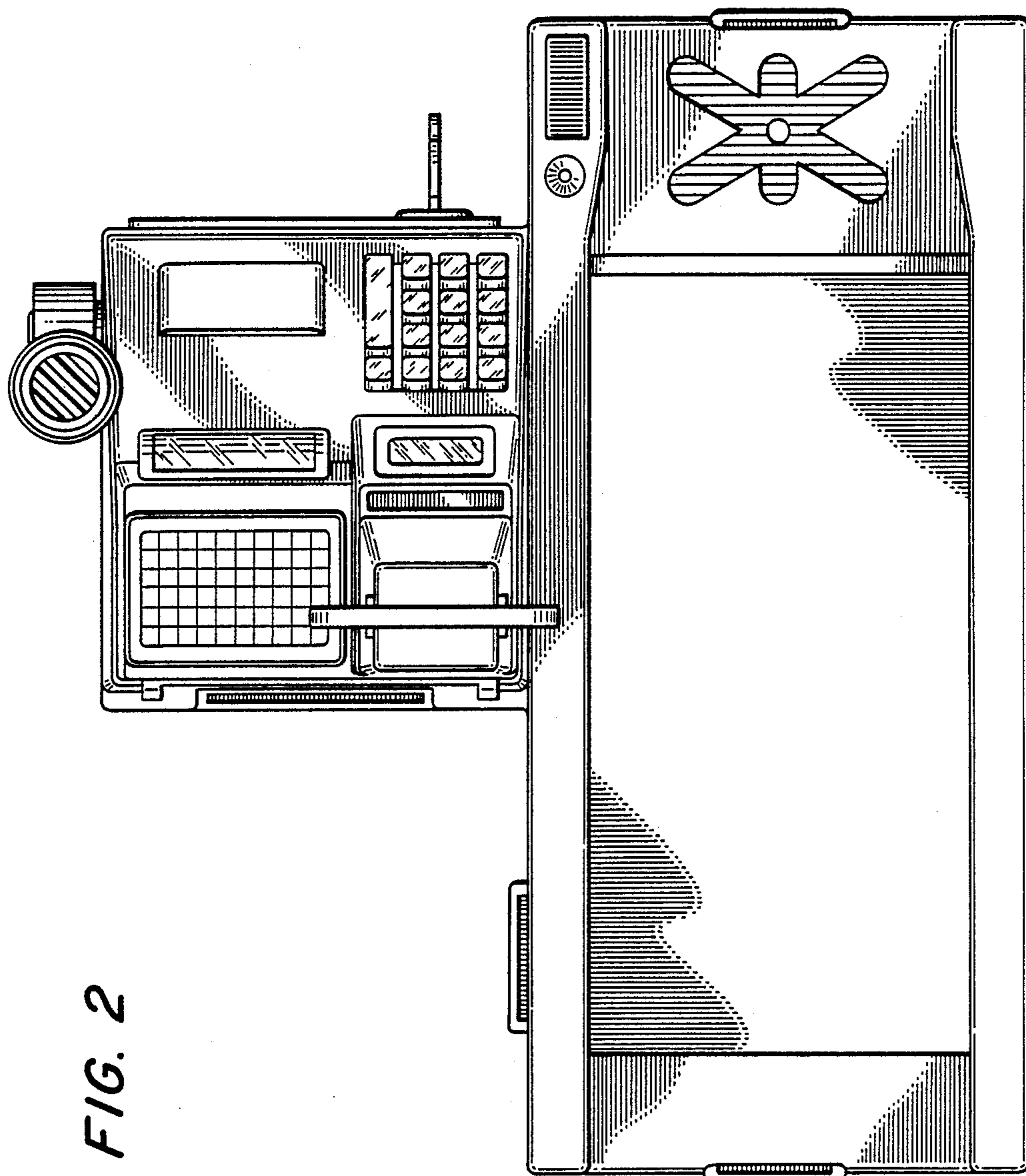
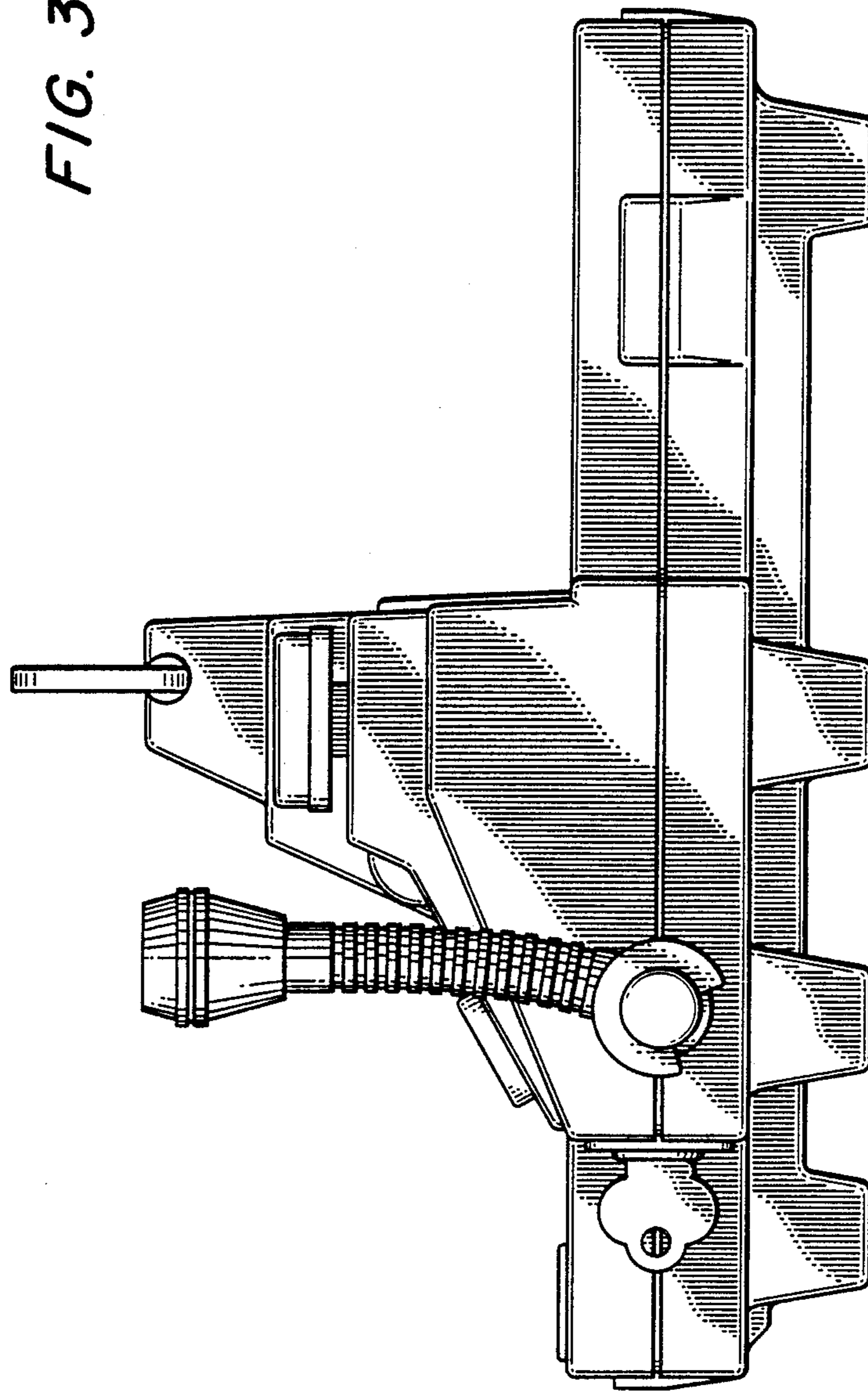


FIG. 2

FIG. 3



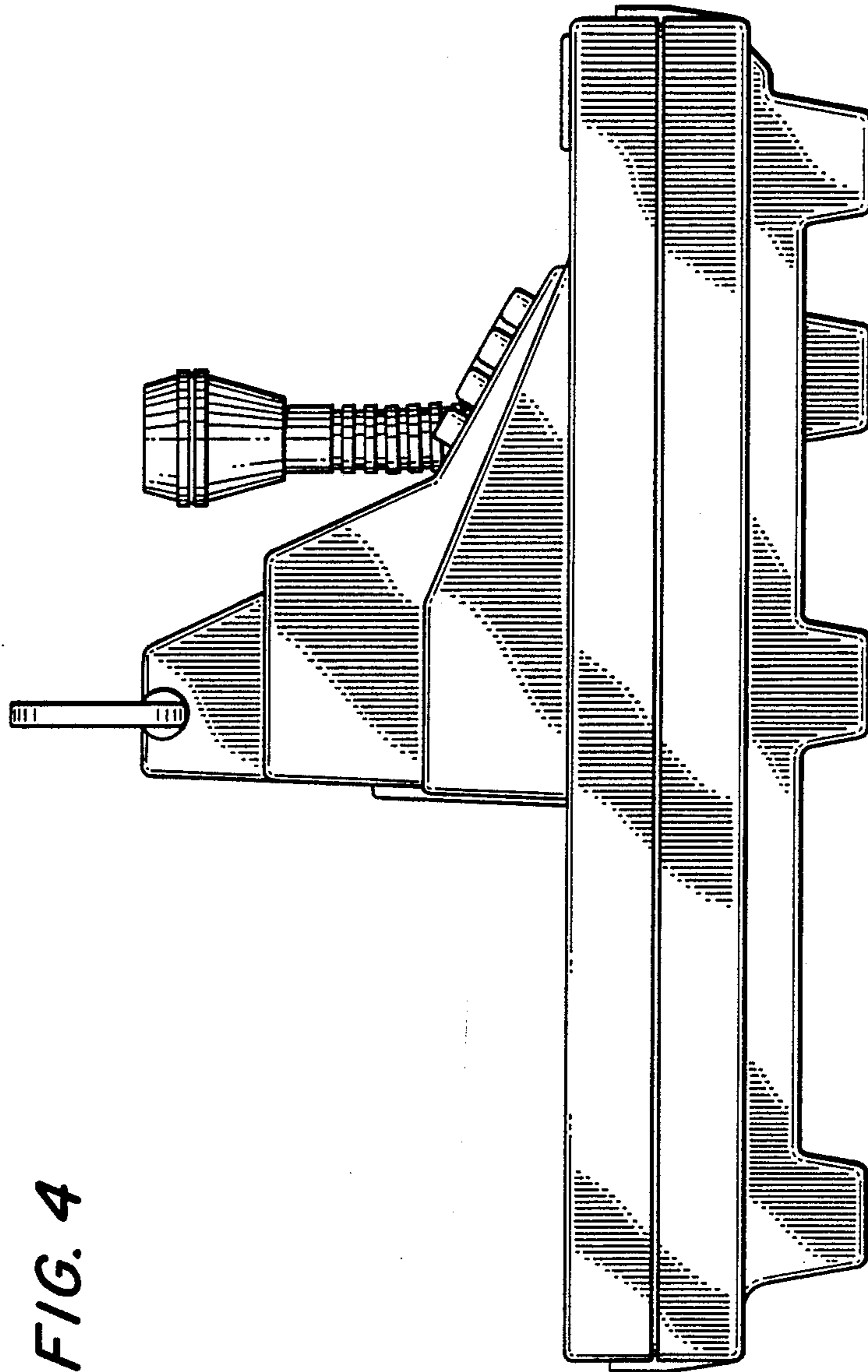
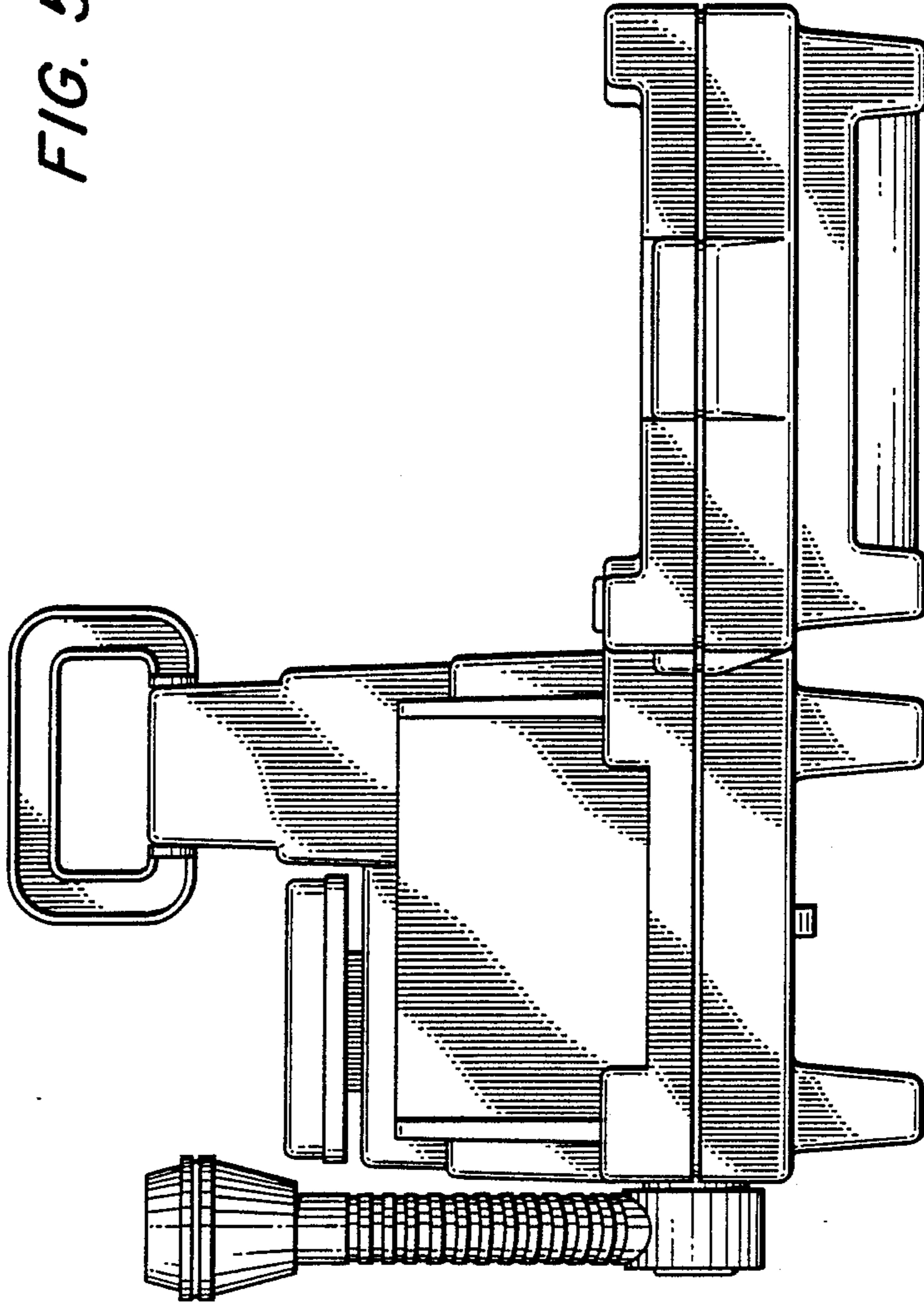


FIG. 4

FIG. 5



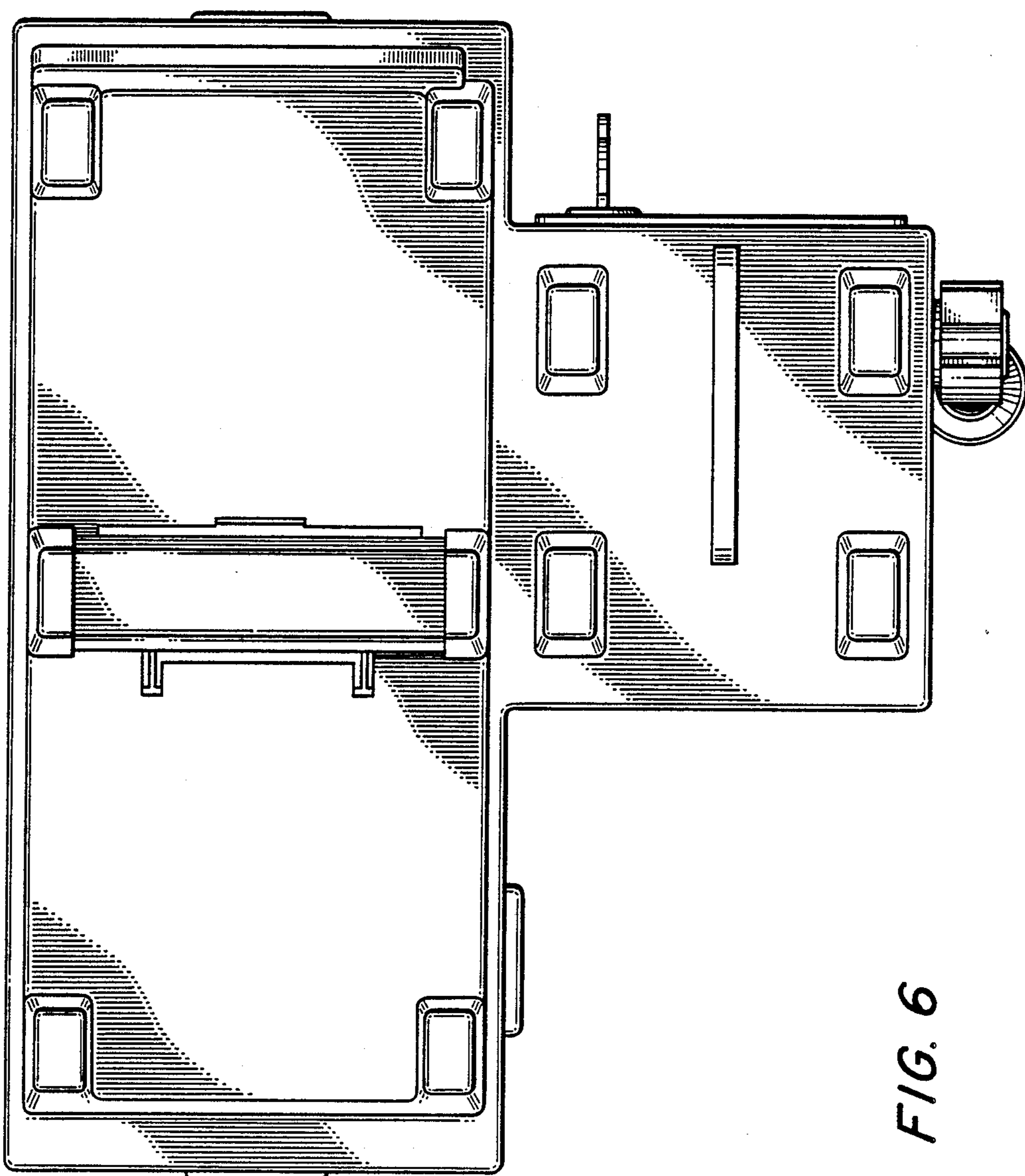


FIG. 6