

[54] TOY BUILDING ELEMENT

[75] Inventors: Flemming H. Olsen, Esbjerg; Charlotte K. Høyer, Charlottenlund, both of Denmark

[73] Assignee: Interlego A.G., Baar, Switzerland

[**] Term: 14 Years

[21] Appl. No.: 349,345

[22] Filed: May 9, 1989

[52] U.S. Cl. D21/108

[58] Field of Search D21/59, 108, 114, 117, D21/118, 119; 446/108, 115, 118, 124, 126, 85

[56] References Cited

U.S. PATENT DOCUMENTS

D. 220,400	4/1971	Essman	D21/108
249,448	11/1881	Barnes	D21/117
D. 290,476	6/1987	Ryaa et al.	D21/108
1,568,252	1/1926	Strub	446/85
2,882,689	4/1959	Huch et al.	D21/108
4,808,140	2/1989	Clavet	D21/108

FOREIGN PATENT DOCUMENTS

111673 12/1917 United Kingdom 446/124

Primary Examiner—Charles A. Rademaker

Assistant Examiner—Alicia A. Farrell

Attorney, Agent, or Firm—Kane, Dalsimer, Sullivan, Kurucz, Levy, Eisele and Richard

[57] CLAIM

The ornamental design for toy building element, as shown and described.

DESCRIPTION

FIG. 1 is a top perspective view of a toy building element showing our new design;

FIG. 2 is a bottom perspective view thereof;

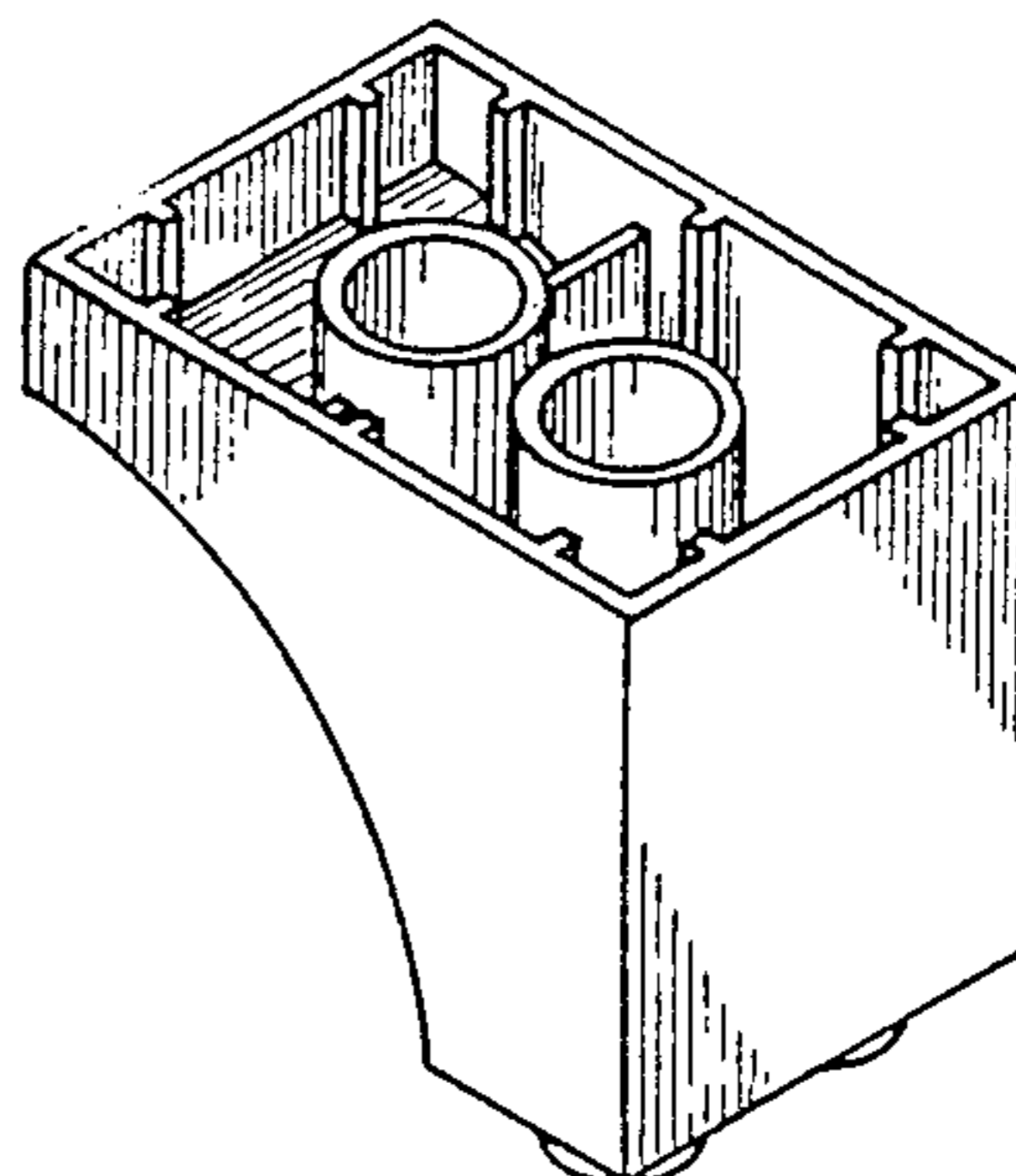
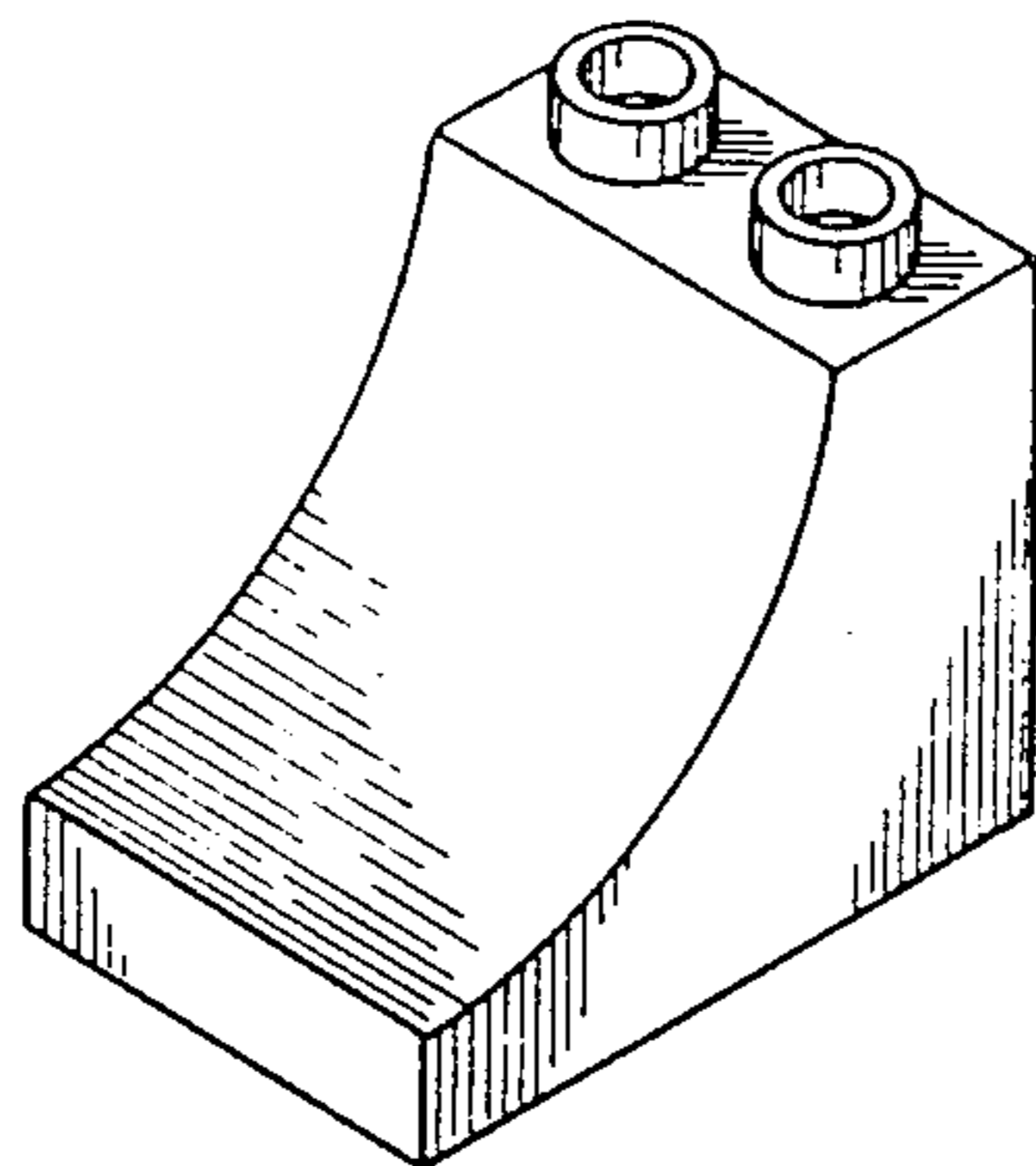
FIG. 3 is a top plan view thereof;

FIG. 4 is a bottom plan view thereof;

FIG. 5 is a side elevational view thereof; the side opposite being identical;

FIG. 6 is a front elevational view thereof; and

FIG. 7 is a rear elevational view thereof.



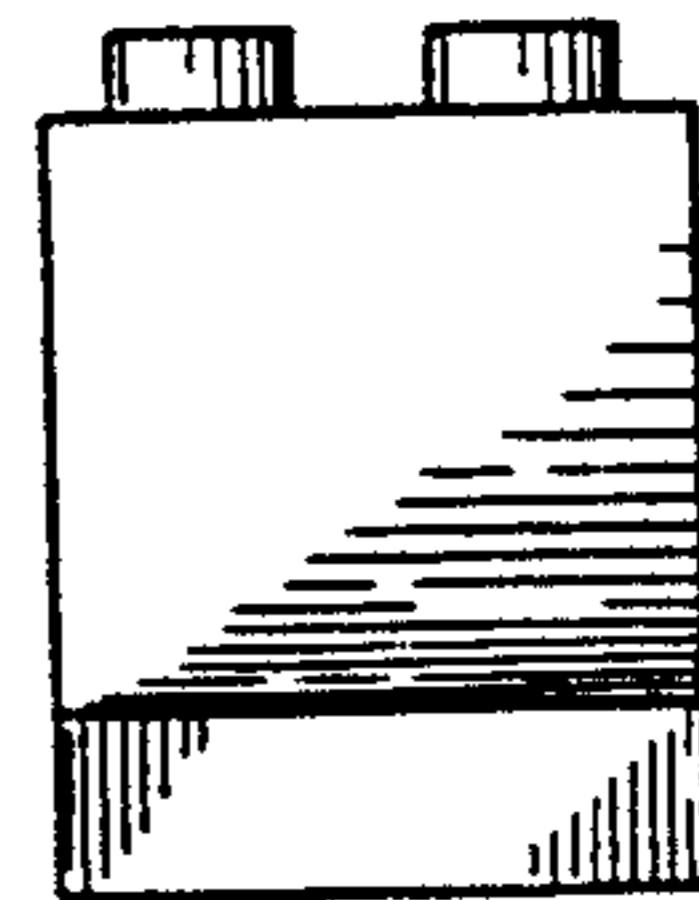
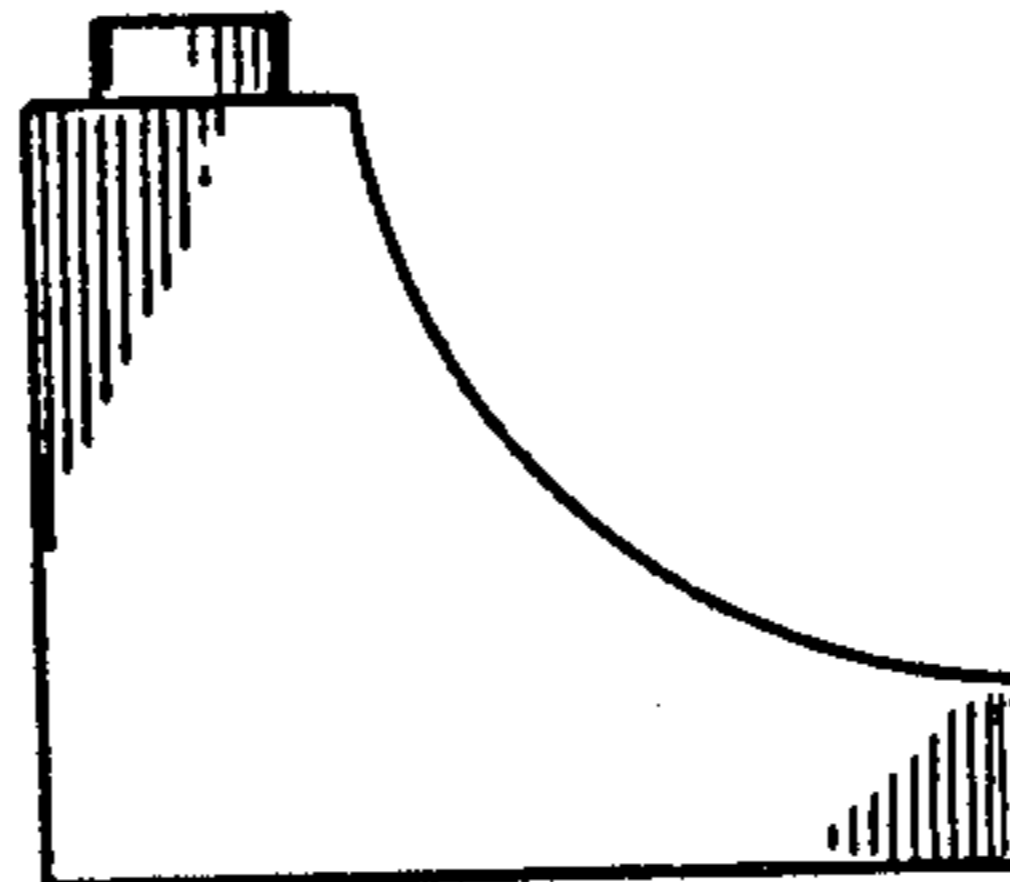
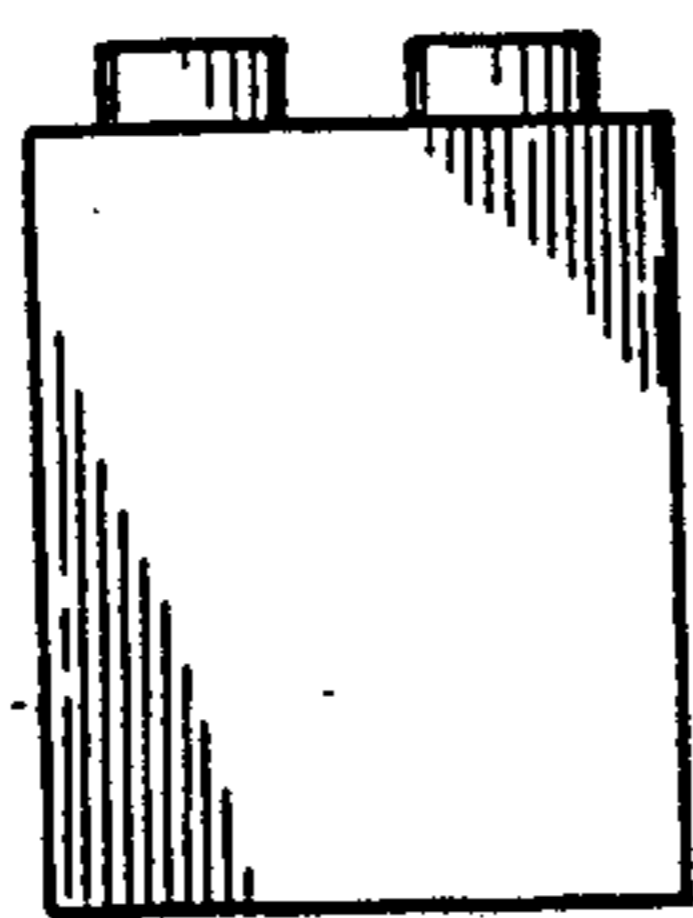
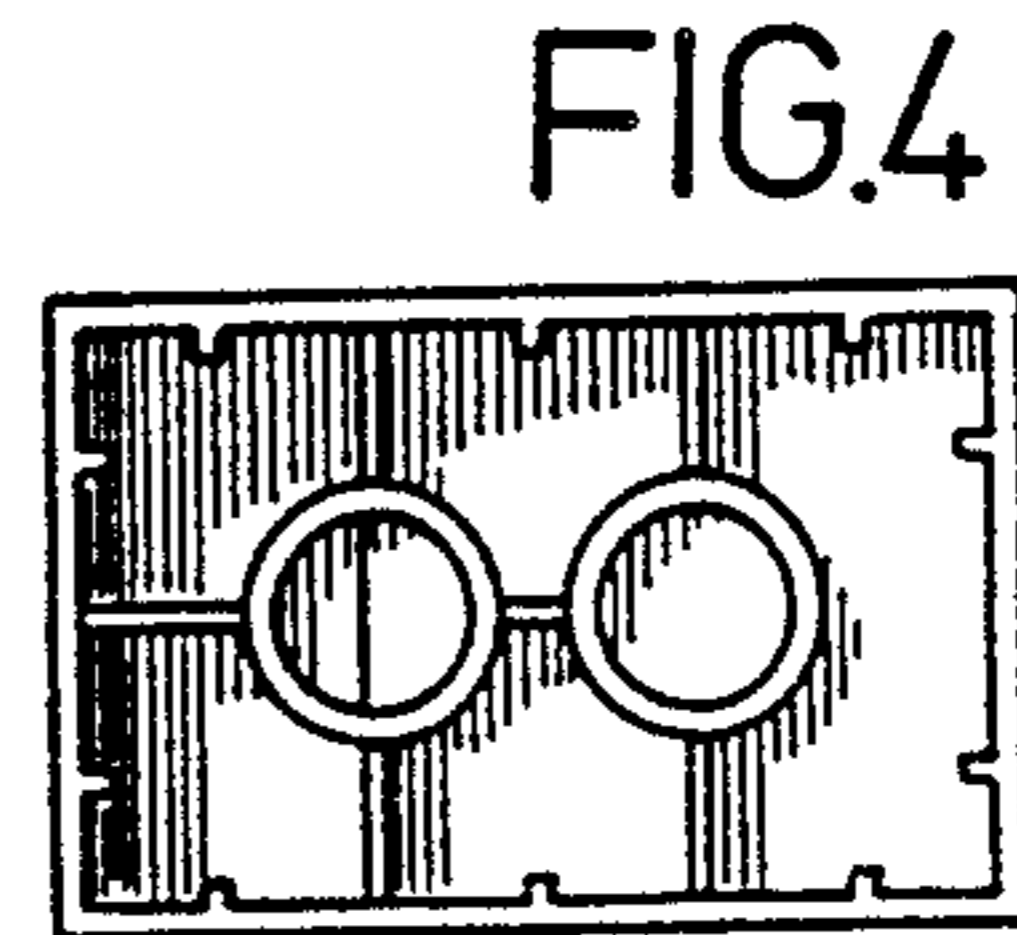
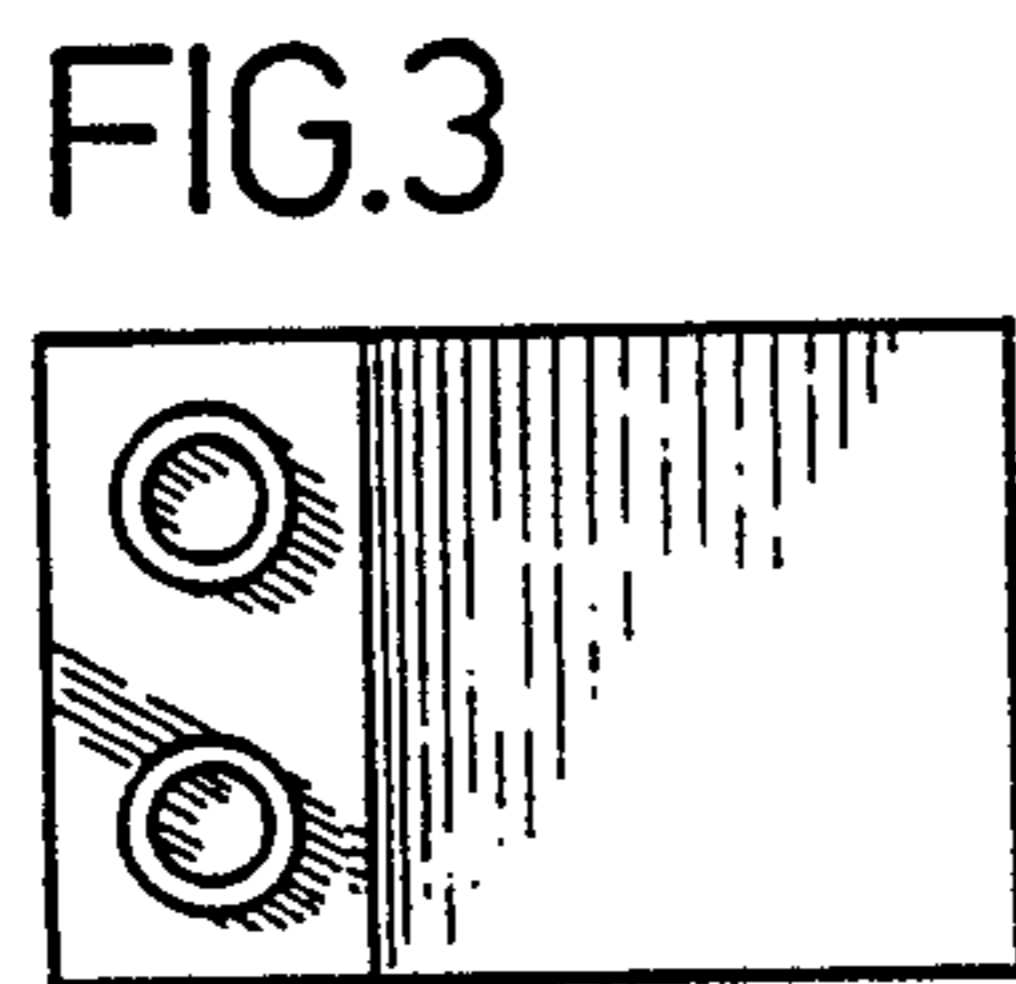
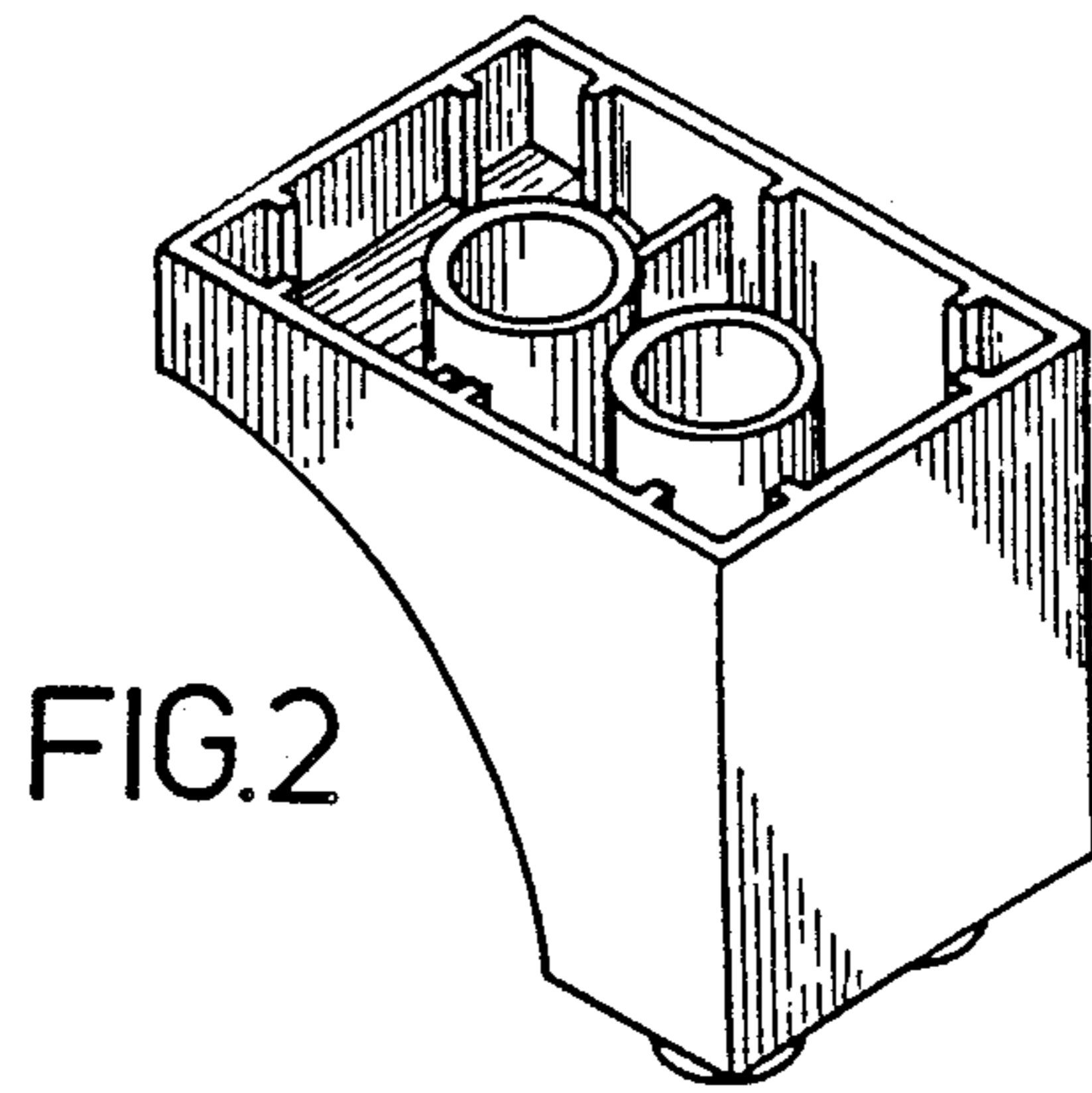
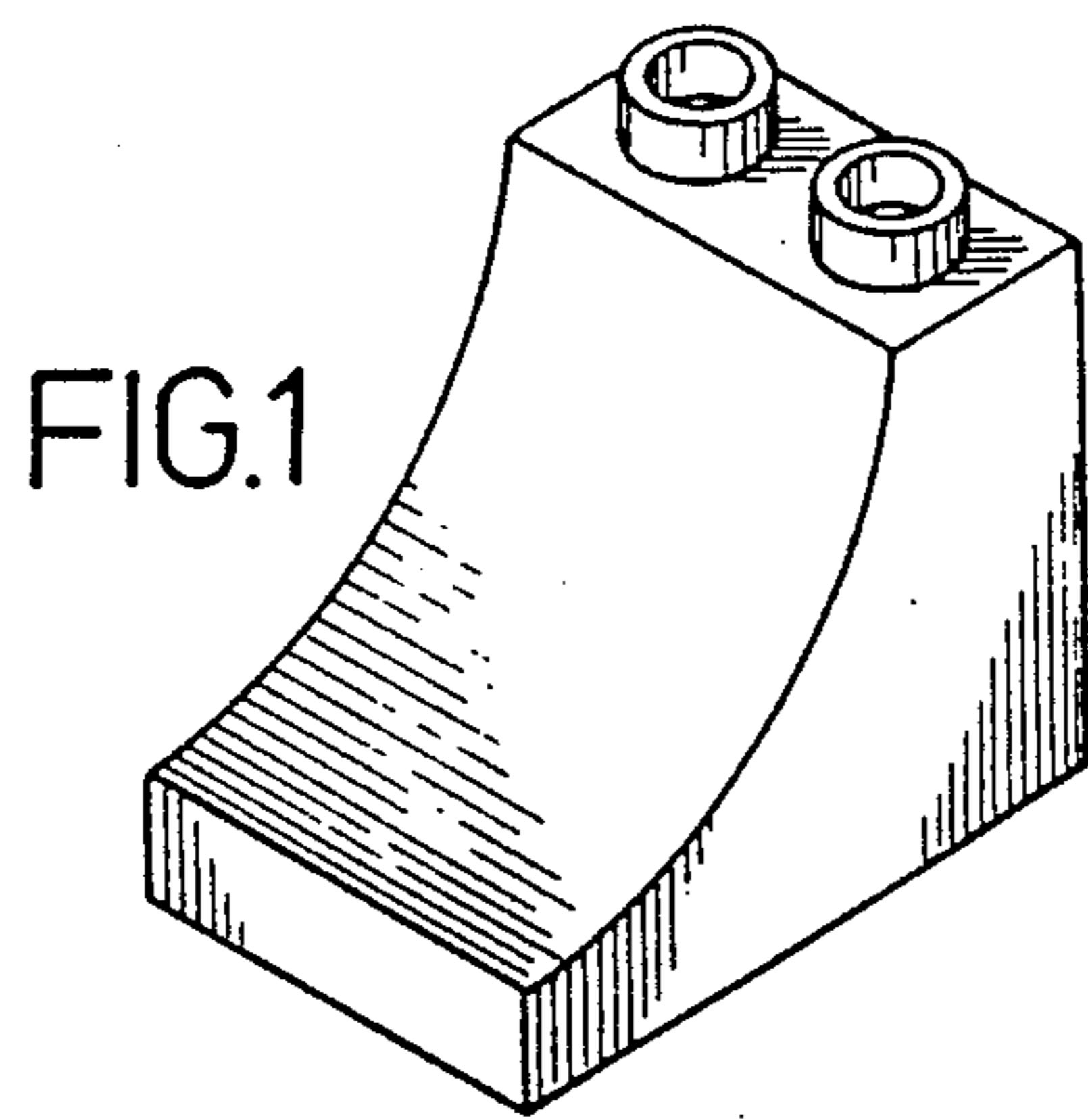


FIG.7

FIG.5

FIG.6