

[54] TOY BUILDING ELEMENT

[75] Inventor: Edel S. Andersen, Randbøl, Denmark

[73] Assignee: Interlego A.G., Baar, Switzerland

[\*\*] Term: 14 Years

[21] Appl. No.: 349,342

[22] Filed: May 9, 1989

[52] U.S. Cl. .... D21/108

[58] Field of Search ..... D21/59, 108, 114, 117,  
D21/118, 119; 446/108, 115, 118, 124, 126, 85,  
93

[56] References Cited

U.S. PATENT DOCUMENTS

249,448	11/1881	Barnes	.....	D21/117
D. 290,476	6/1987	Ryaa et al.	.....	D21/108
1,568,252	1/1926	Strub	.....	446/85
3,188,693	6/1965	Troyano	.....	D21/108

FOREIGN PATENT DOCUMENTS

397156	4/1909	France	.....	446/124
467839	12/1951	Italy	.....	446/124
111673	12/1917	United Kingdom	.....	446/124

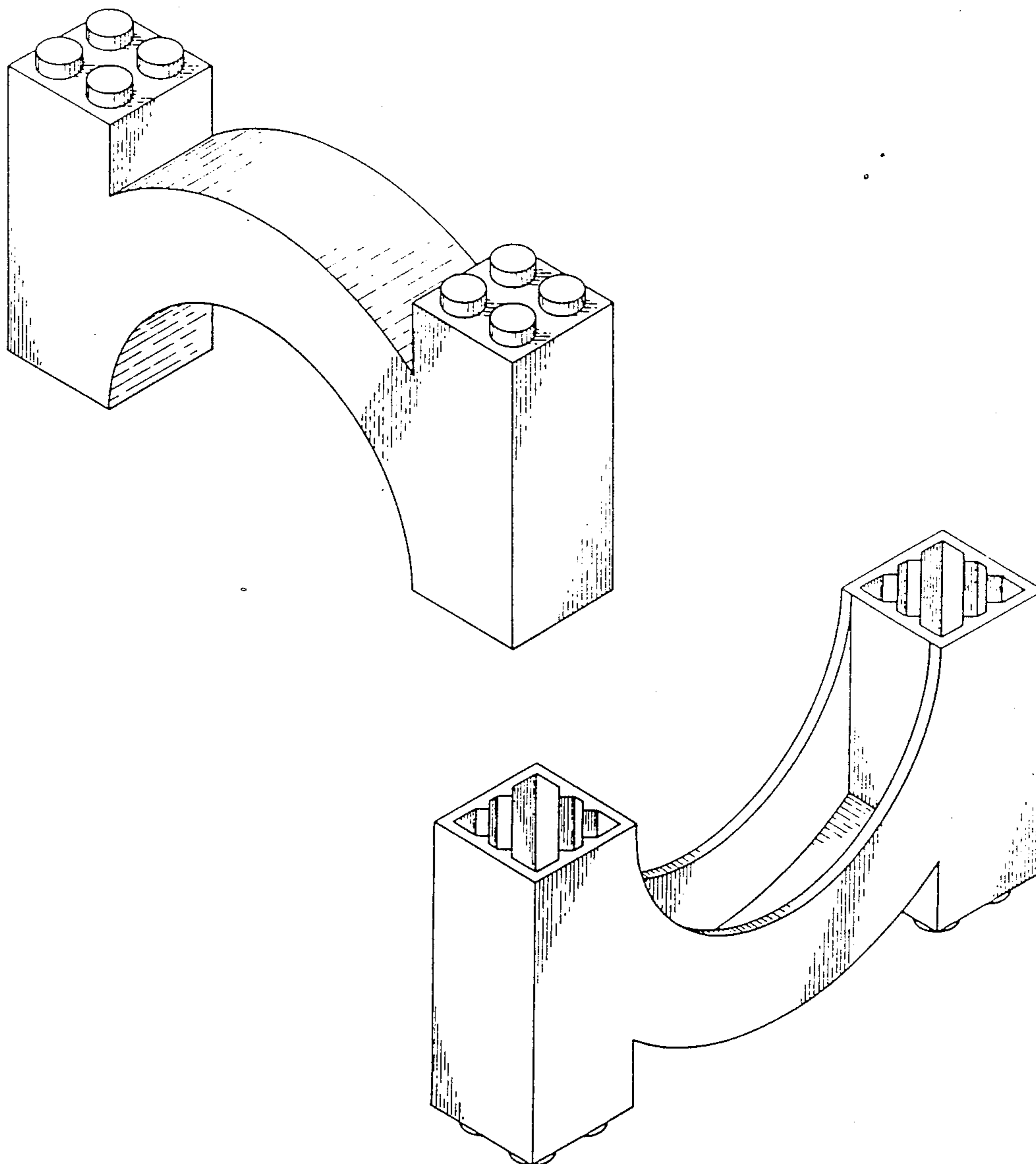
Primary Examiner—Charles A. Rademaker  
Assistant Examiner—Alicia A. Farrell  
Attorney, Agent, or Firm—Kane, Dalsimer, Sullivan,  
Kurucz, Levy, Eisele and Richard

[57] CLAIM

The ornamental design for toy building element, as shown and described.

DESCRIPTION

FIG. 1 is a top perspective view of a toy building element showing my new design;  
FIG. 2 is a bottom perspective view thereof;  
FIG. 3 is a top plan view thereof;  
FIG. 4 is a bottom plan view;  
FIG. 5 is a front elevational view thereof; the rear elevational view being identical; and  
FIG. 6 is a side elevational view thereof; the side opposite being identical.



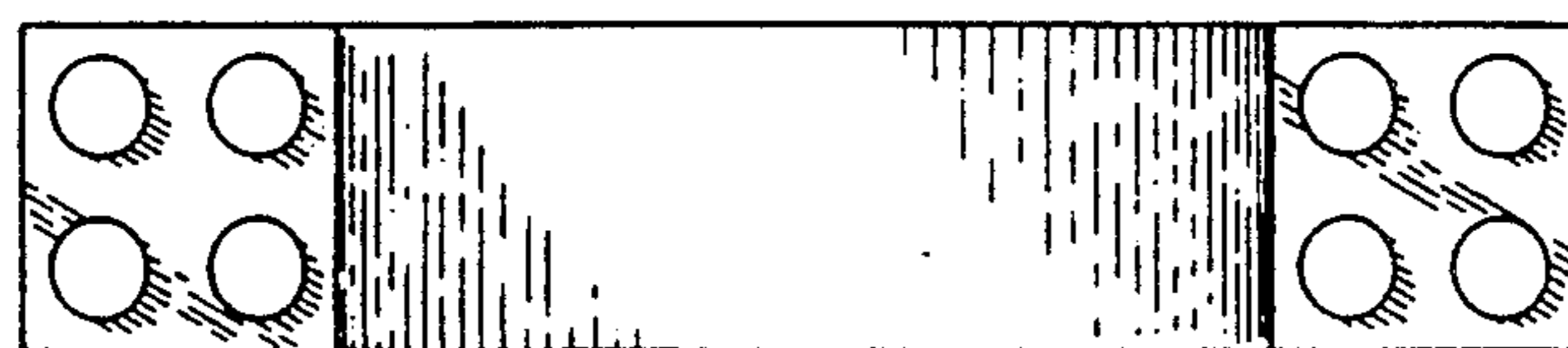
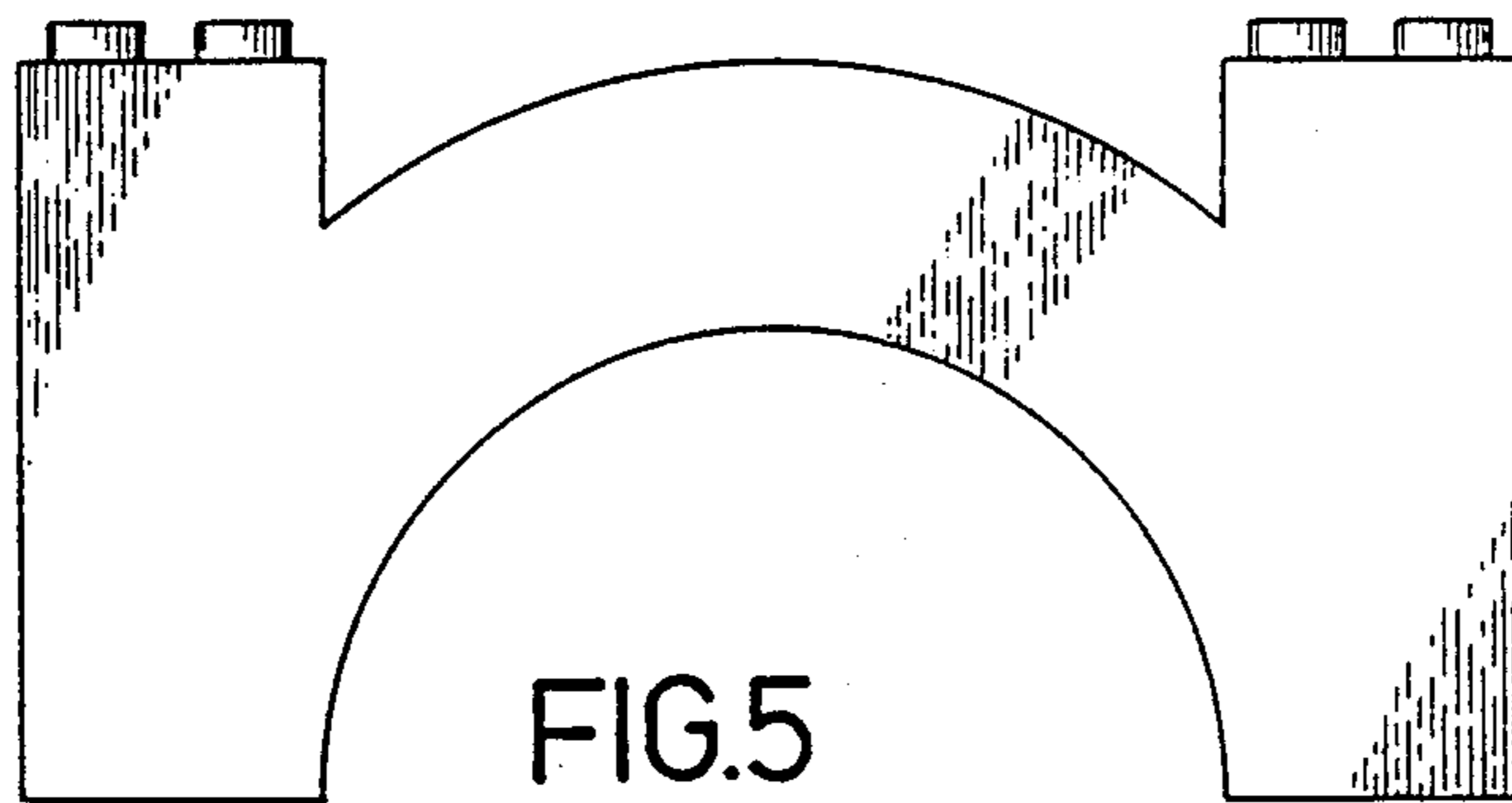
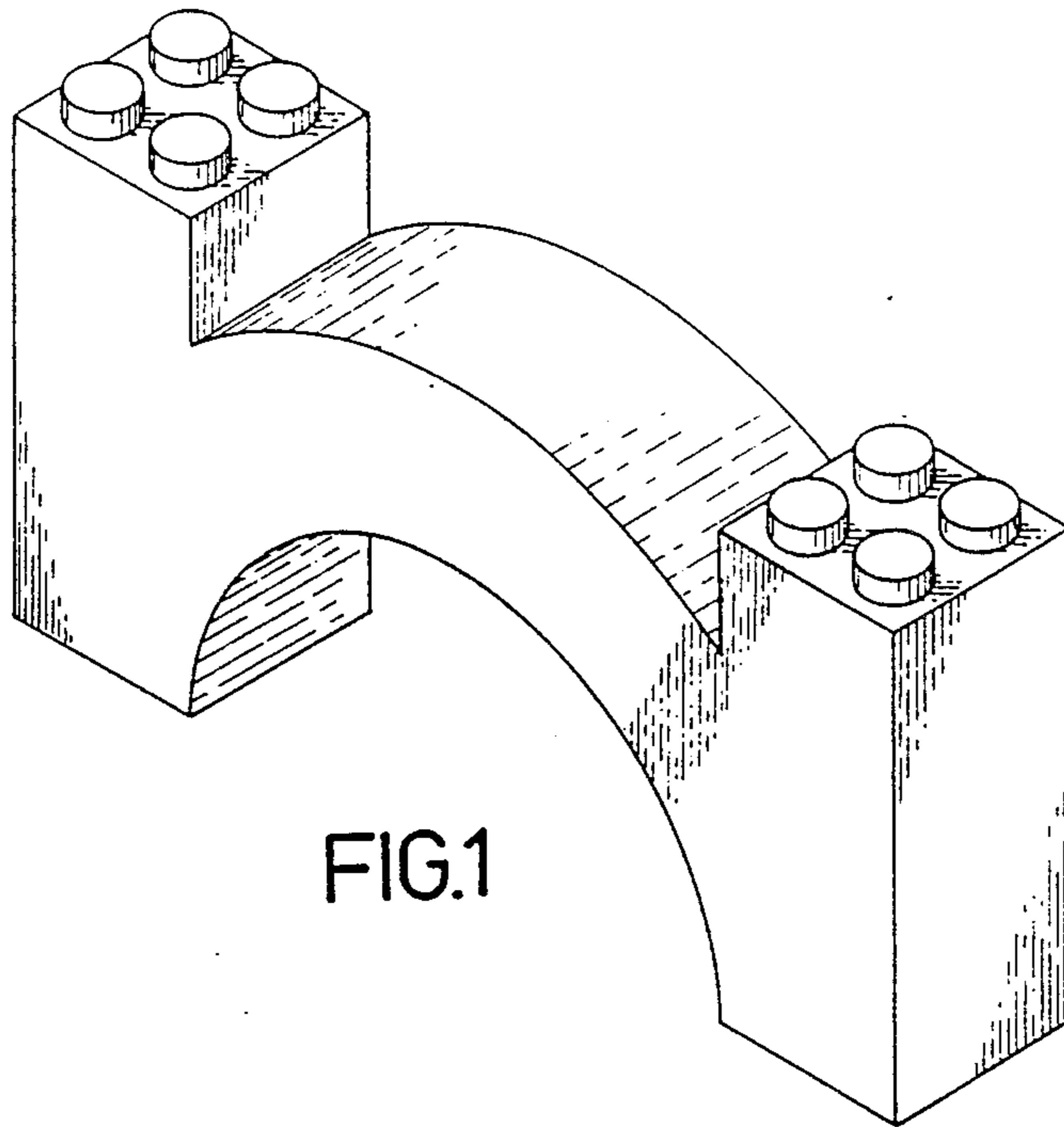


FIG. 3

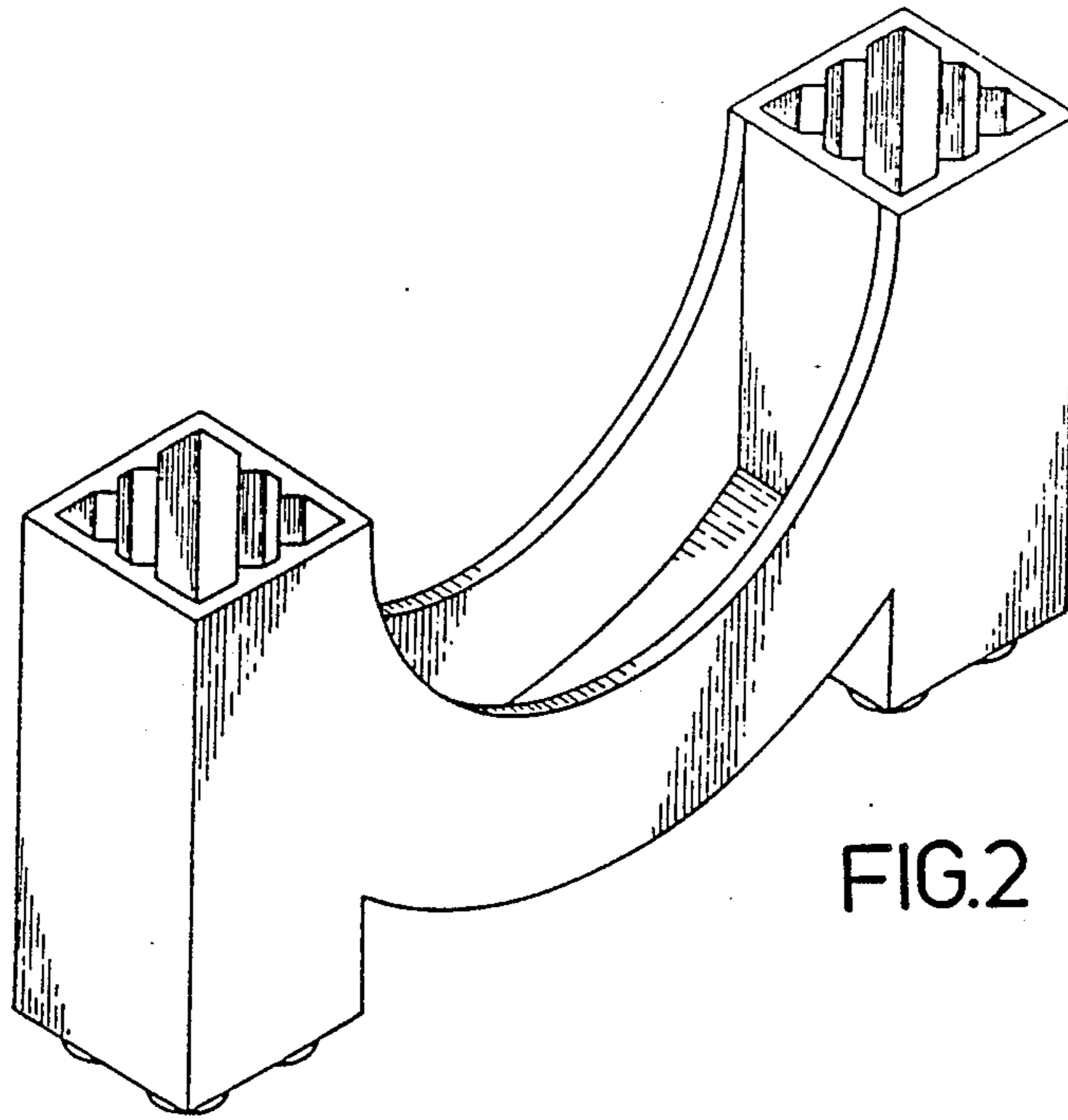


FIG. 2

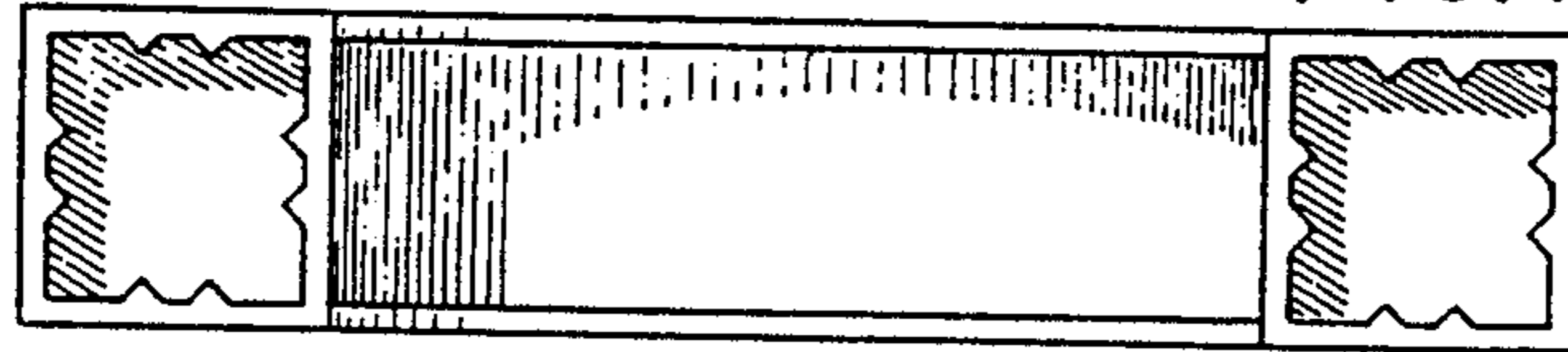


FIG. 4

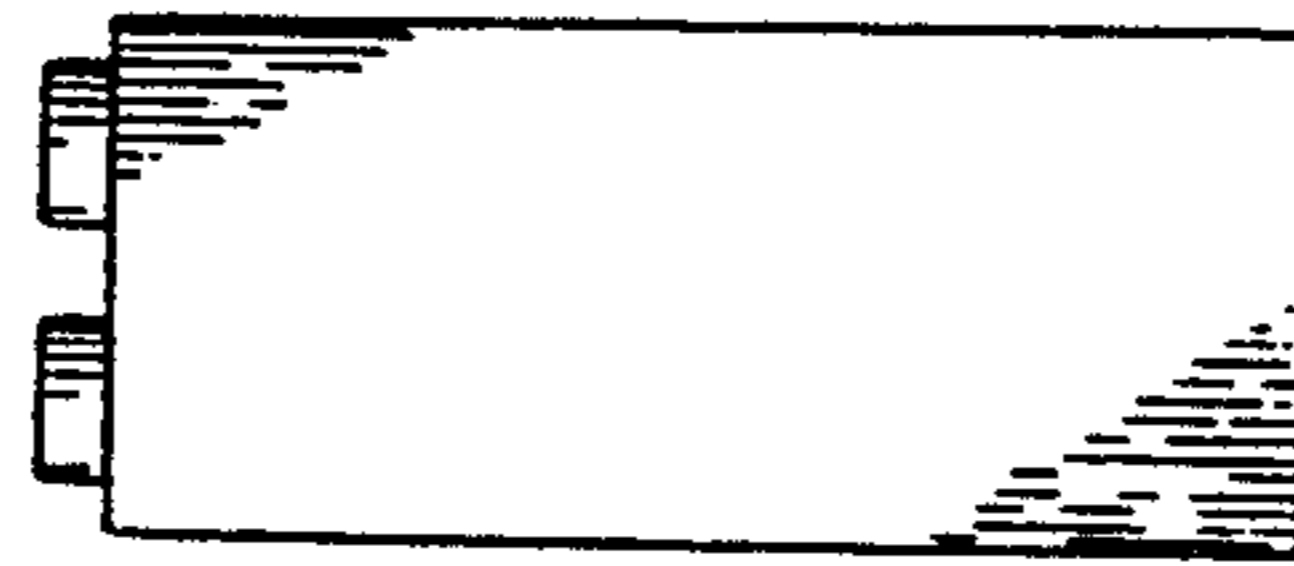


FIG. 6