

[54] ILLUMINABLE AERIAL TOY
[76] Inventor: Jerril C. Lenox, 15340 Washington St., Riverside, Calif. 92506

D. 272,751 2/1984 Brackmann D21/86
3,948,523 4/1976 Michael D21/86
4,681,553 7/1987 Rodarte 446/46
4,701,146 10/1987 Swenson 446/409

[**] Term: 14 Years

Primary Examiner—Charles A. Rademaker
Attorney, Agent, or Firm—John H. Crowe

[21] Appl. No.: 296,590

[57] CLAIM

[22] Filed: Jan. 13, 1989

The ornamental design for an illuminable aerial toy, as shown and described.

[52] U.S. Cl. D21/86

[58] Field of Search D21/82-86,
D21/88-90; 446/34, 36, 46, 61-68, 409

DESCRIPTION

[56] References Cited

FIG. 1 is a top plan view of an illuminable aerial toy, showing my new design.

U.S. PATENT DOCUMENTS

FIG. 2 is a side elevational view thereof.

D. 260,786 9/1981 Chaklos D21/82

FIG. 3 is a bottom plan view thereof.

FIG. 4 is a bottom perspective view thereof.

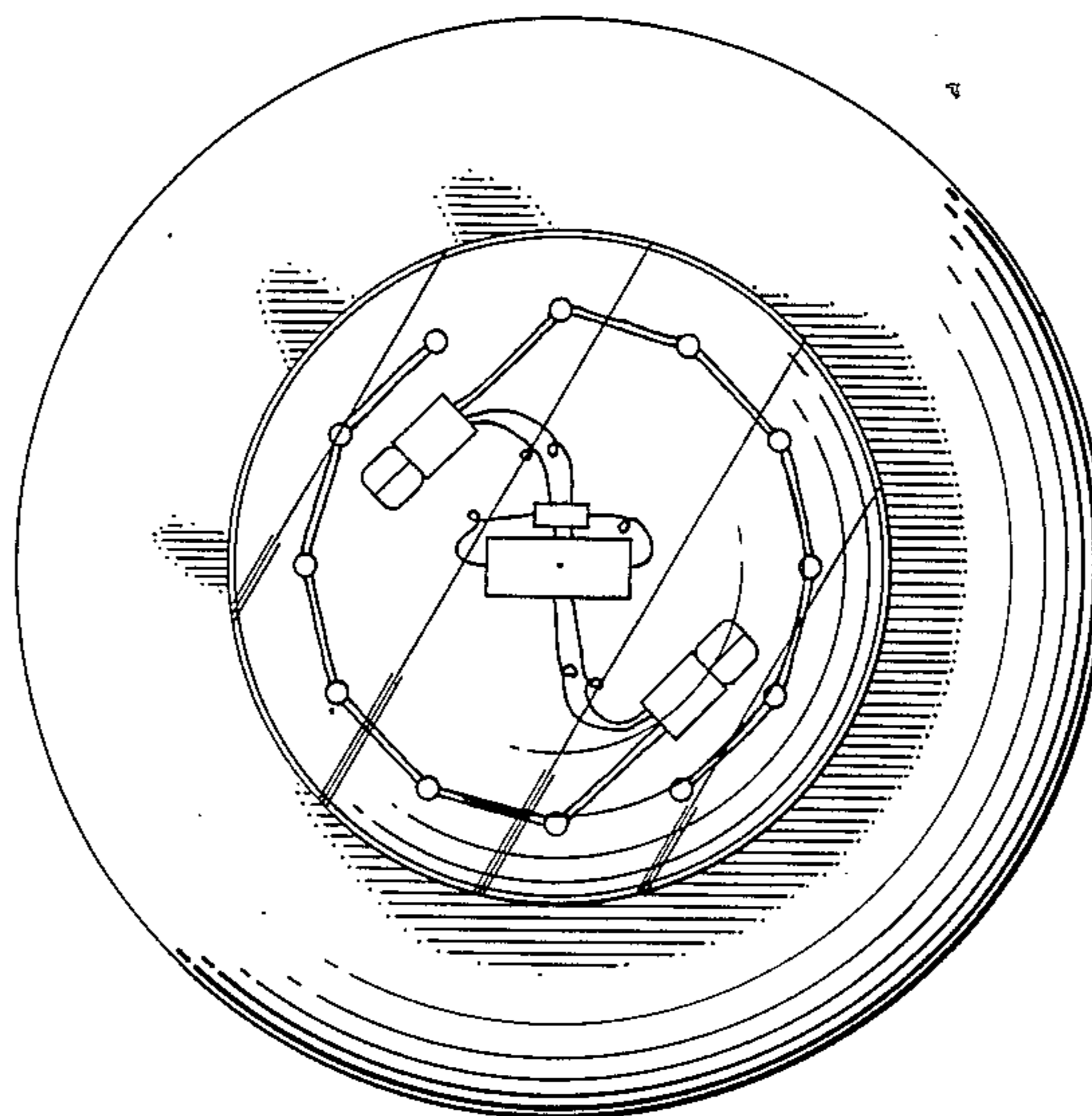


FIG. 1.

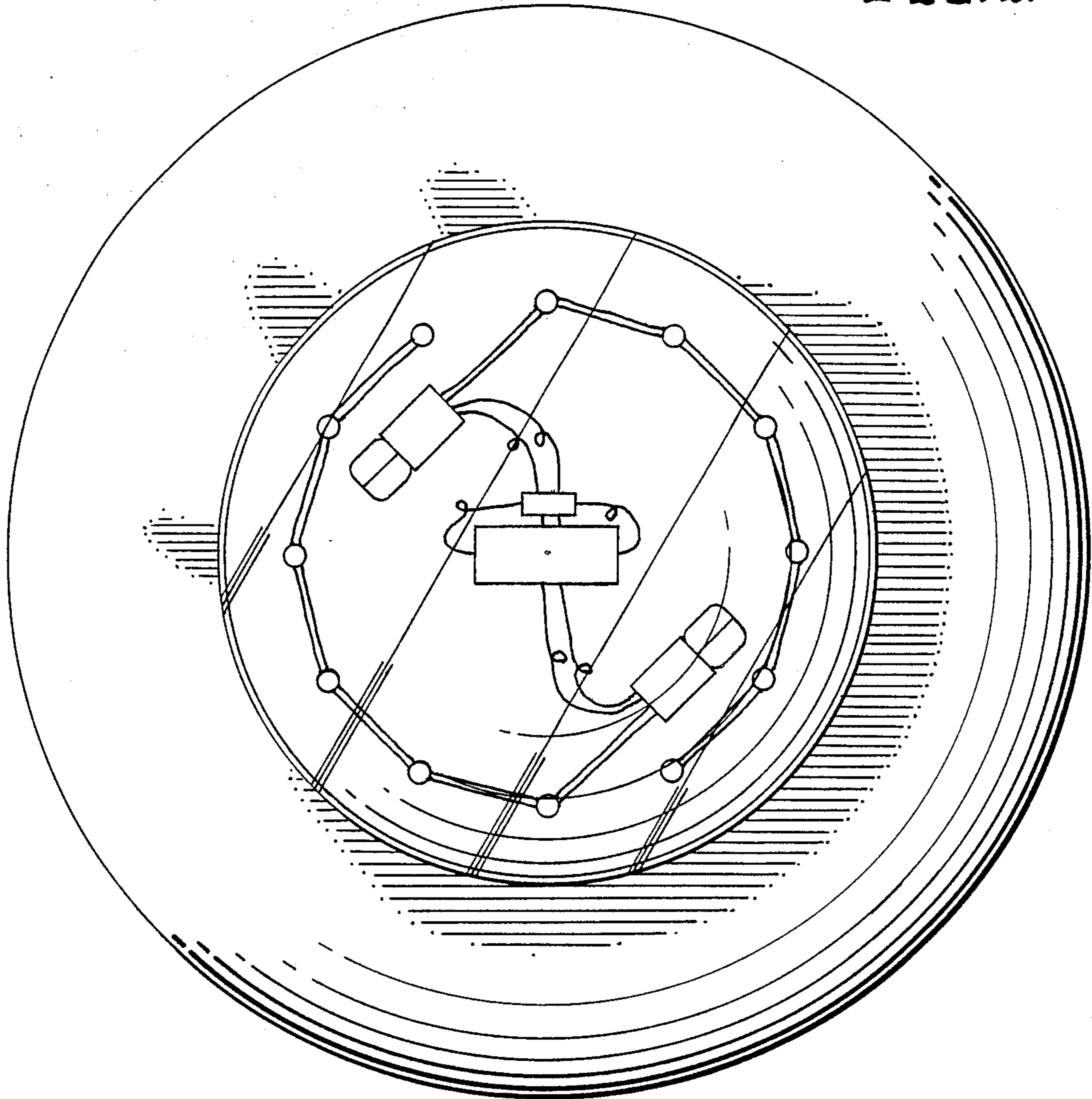


FIG. 2.

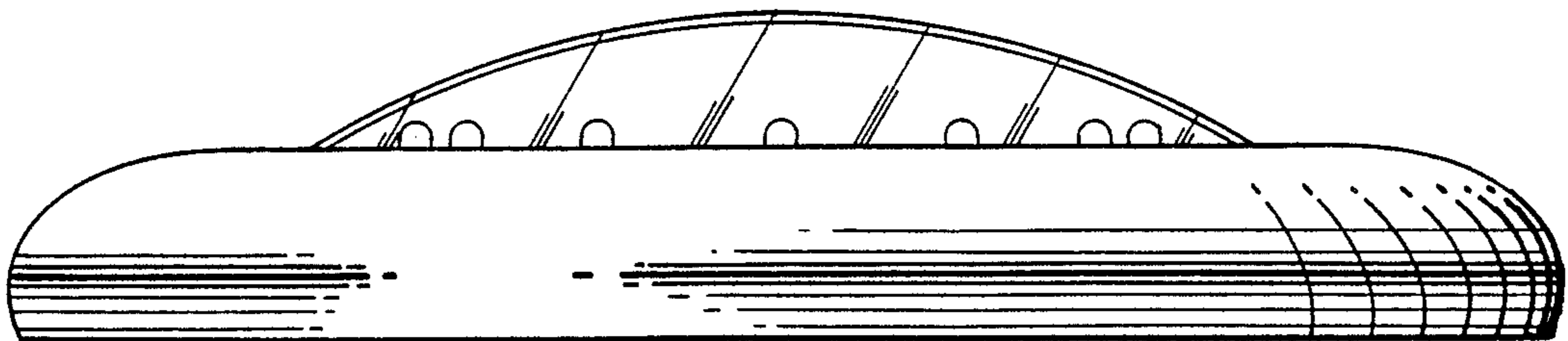


FIG. 3.

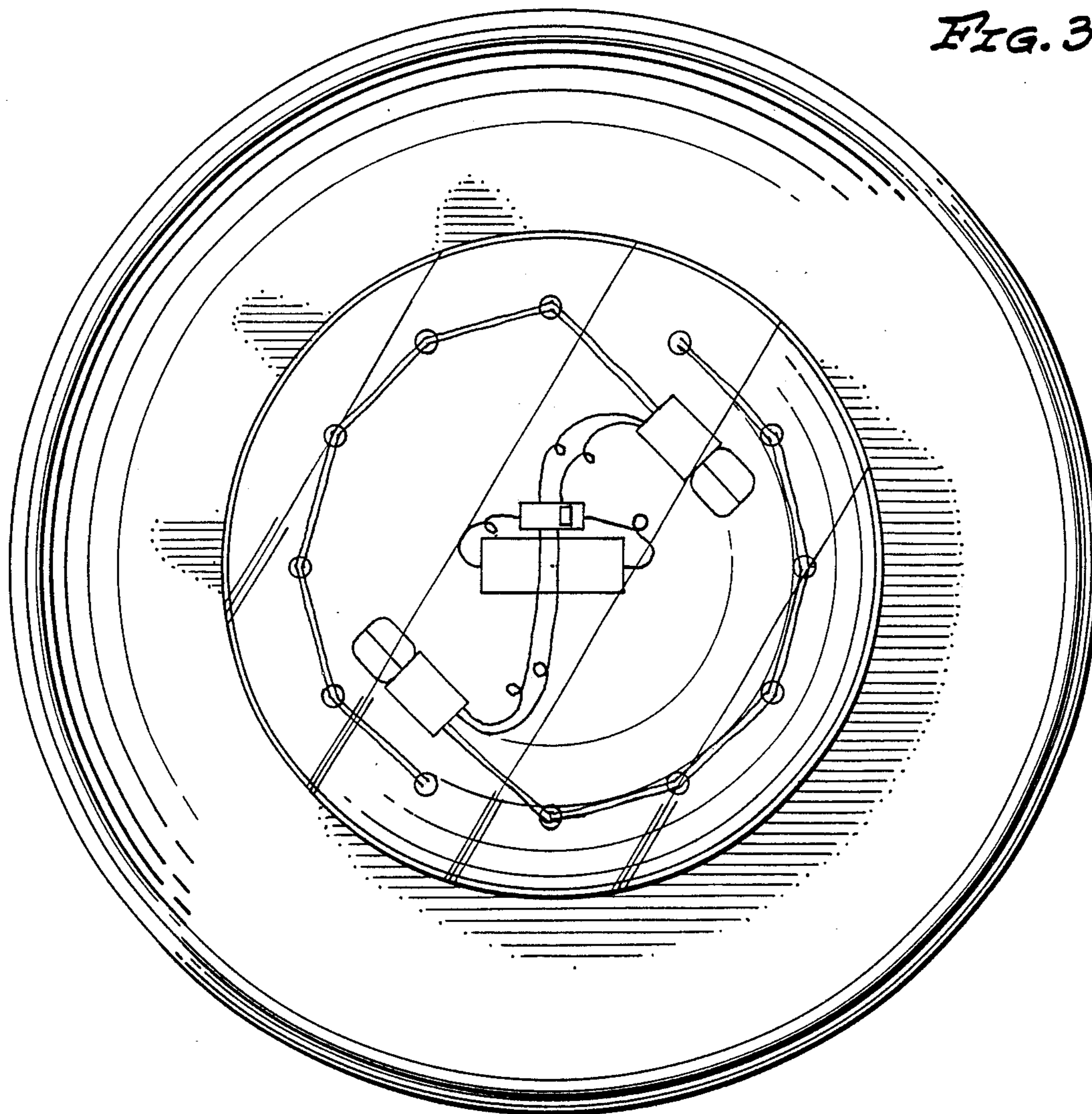


FIG. 4.

