

[54] COMBINED CARD HOLDER AND GAME BOARD SUPPORT

[56] References Cited

U.S. PATENT DOCUMENTS

D. 286,167 10/1986 Greitzer D21/54

[75] Inventors: Edmond H. Lim; Delores S. Middleton, both of El Cerrito, Calif.

Primary Examiner—Louis S. Zarfes
Attorney, Agent, or Firm—Townsend and Townsend

[73] Assignee: Limardee Enterprises, Ltd., El Cerrito, Calif.

[57] CLAIM

The ornamental design for a combined card holder and gameboard support, as shown and described.

[**] Term: 14 Years

DESCRIPTION

[21] Appl. No.: 49,077

FIG. 1 is a left side view of a combined card holder and game board support showing my new design; the right side being a mirror image thereof; and

[22] Filed: May 12, 1987

FIG. 2 is an exploded rear perspective view thereof;

[52] U.S. Cl. D21/55

FIG. 3 is a top plan view thereof;

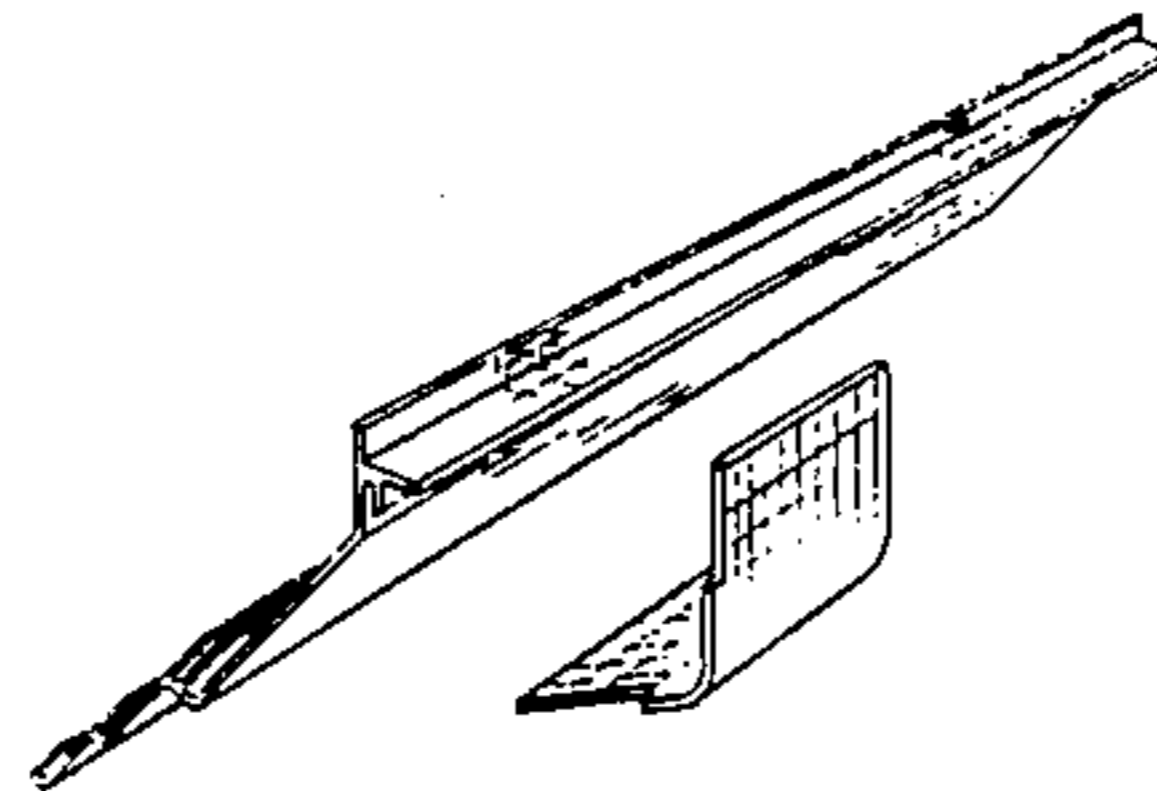
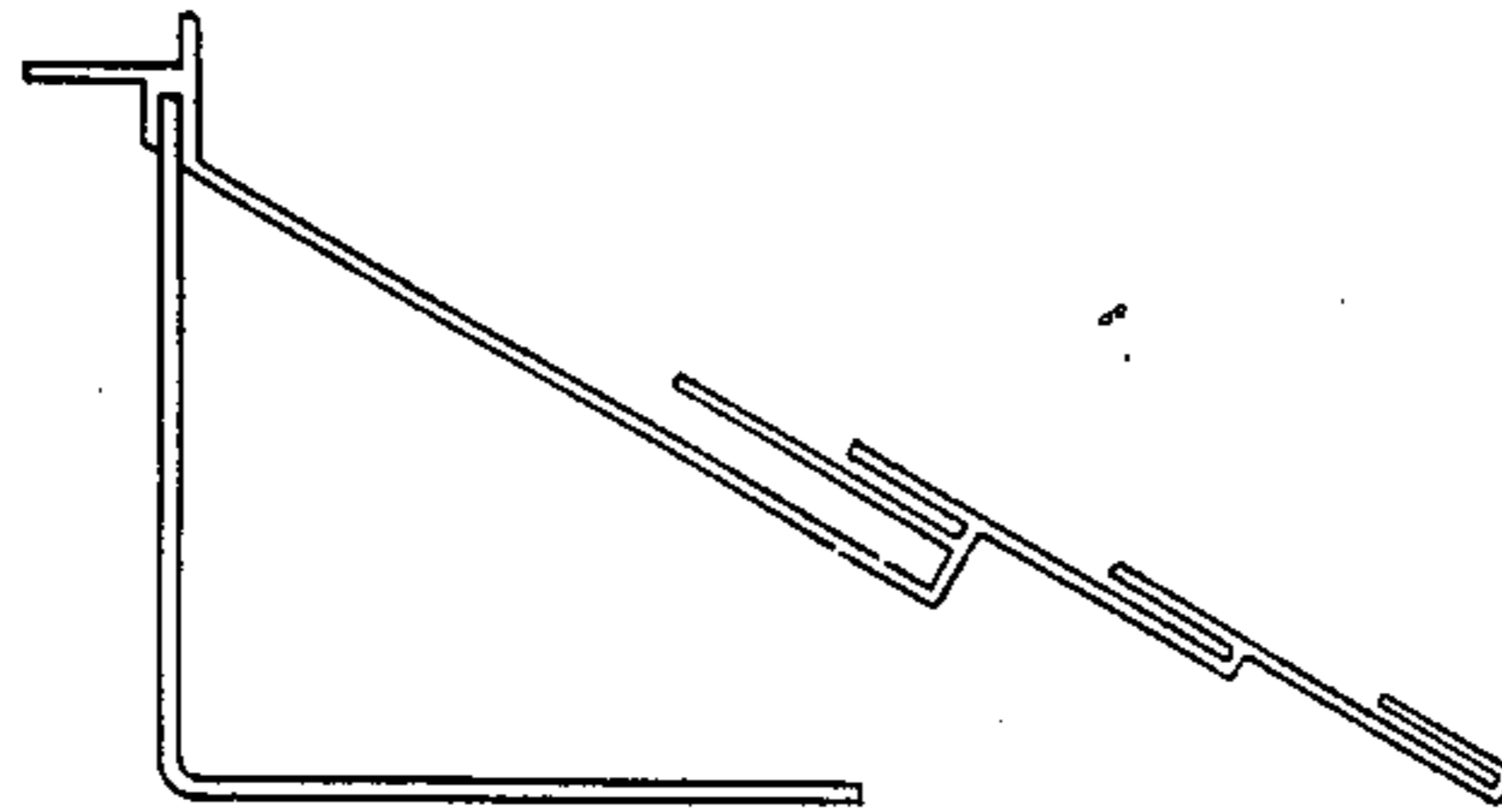
[58] Field of Search D21/14-36,

FIG. 4 is a bottom view thereof;

D21/54, 55, 57; 273/236-287, 148 A

FIG. 5 is a front view thereof;

FIG. 6 is a rear view thereof.



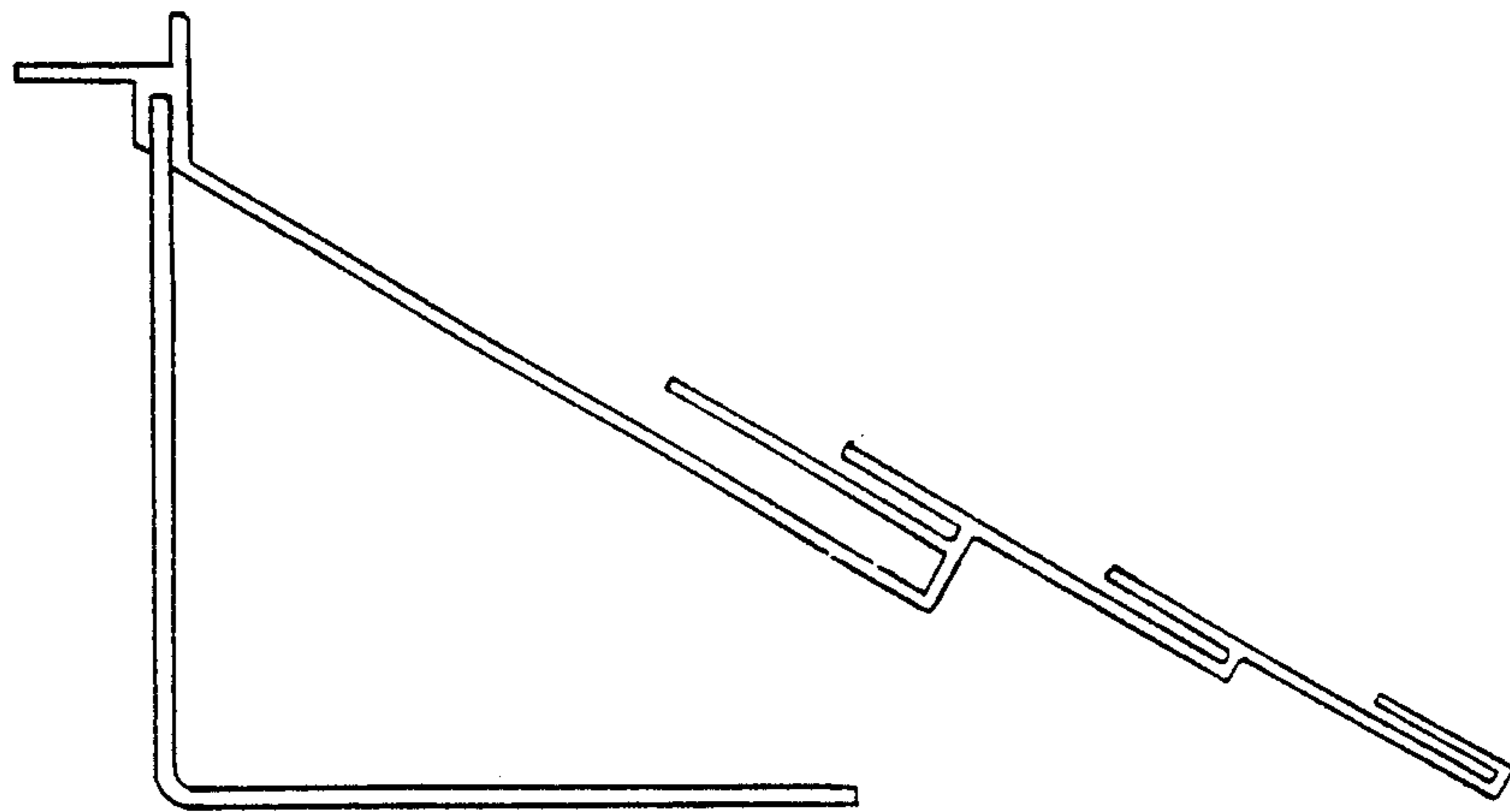


FIGURE 1

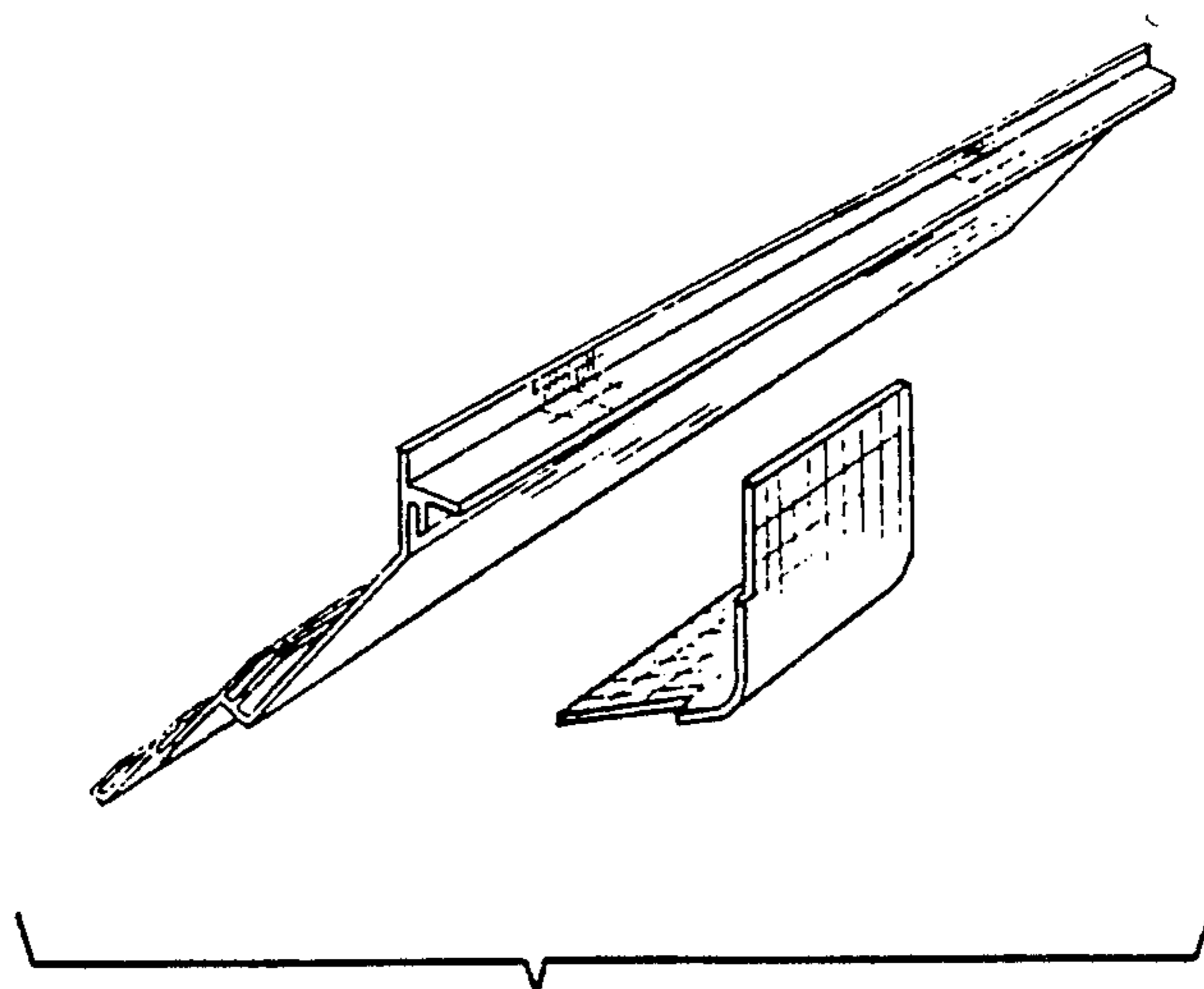


FIGURE 2

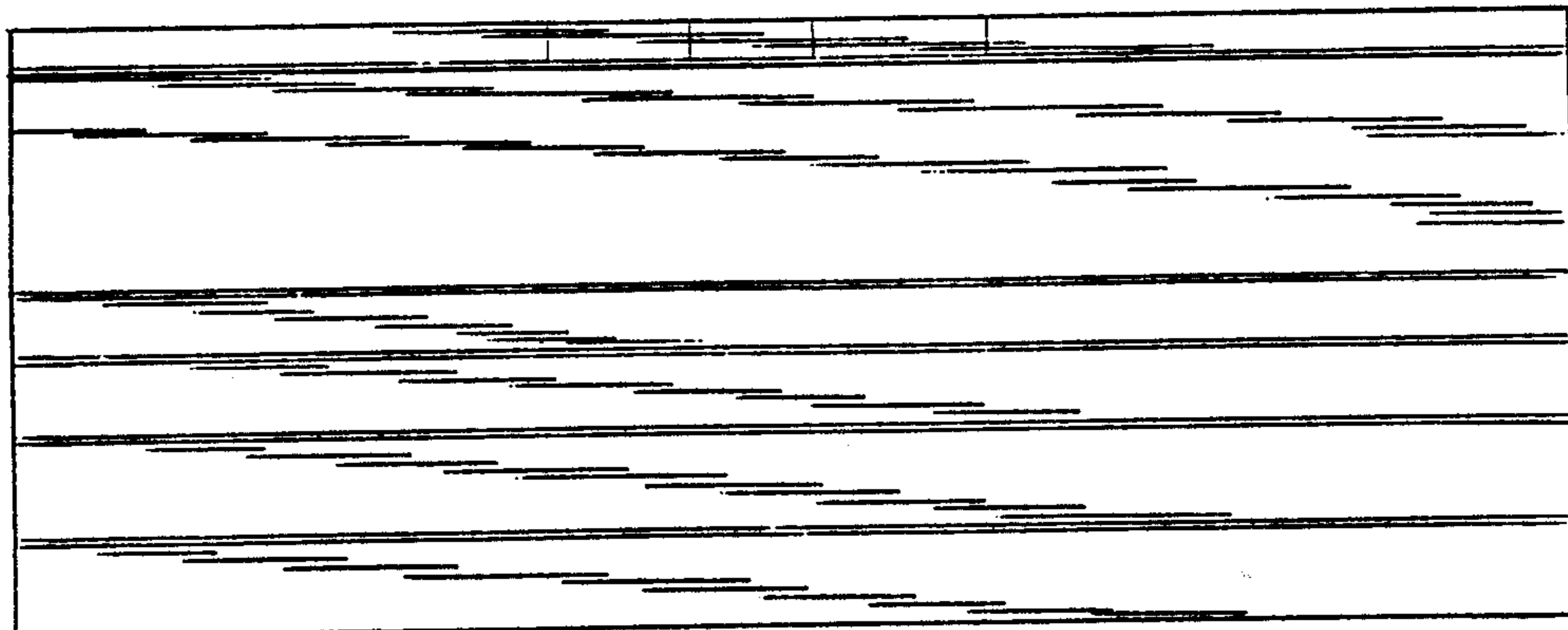


FIGURE 3

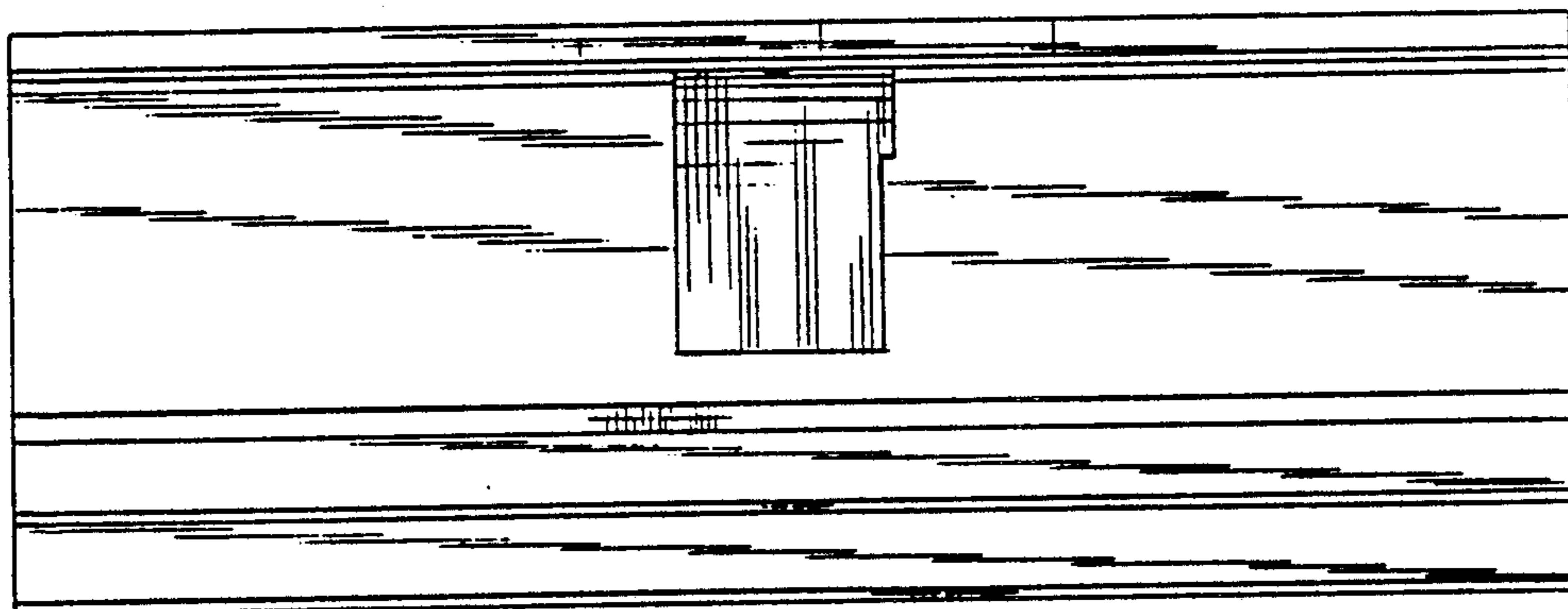


FIGURE 4

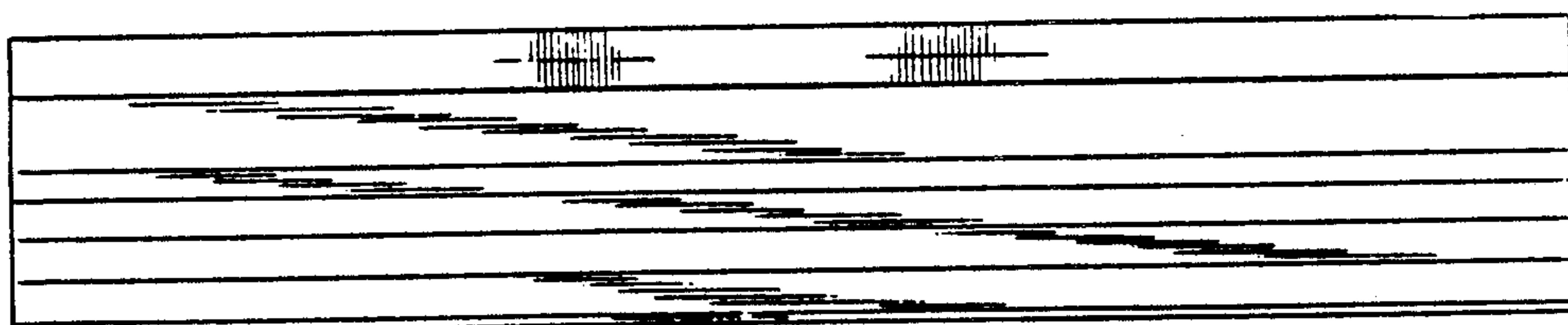


FIGURE 5

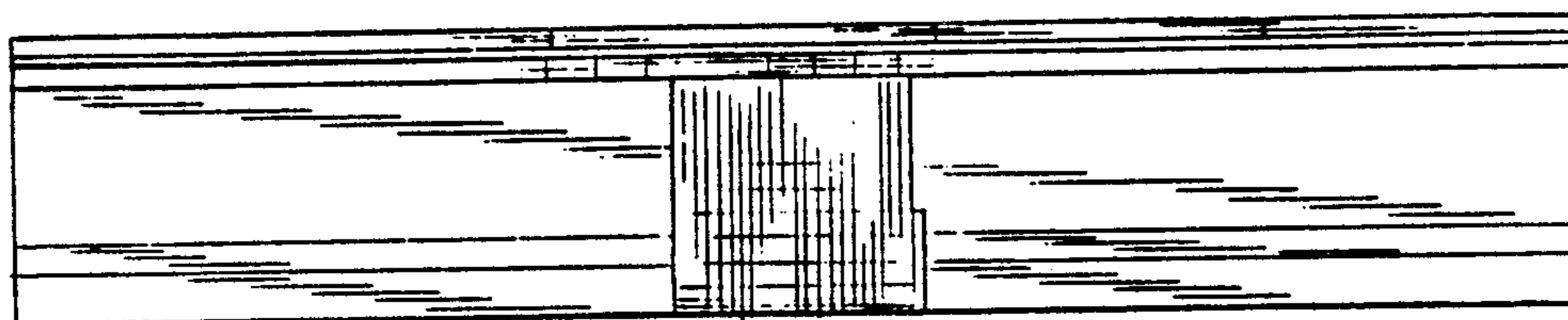


FIGURE 6