

# United States Patent [19]

Hashimoto

[11] Patent Number: Des. 312,094

[45] Date of Patent: \*\* Nov. 13, 1990

[54] **DOCUMENT FEEDER FOR COPYING MACHINE**

[75] Inventor: Masanori Hashimoto, Yokohama, Japan

[73] Assignee: Ricoh Company, Ltd., Ohta, Japan

[\*\*] Term: 14 Years

[21] Appl. No.: 55,759

[22] Filed: May 29, 1987

[30] **Foreign Application Priority Data**

Dec. 27, 1986 [JP] Japan ..... 61-51709

[52] U.S. Cl. .... D18/42

[58] Field of Search ..... D18/36-44;  
271/3, 3.1, 8.1, 9; 355/200, 308, 309; 358/498

[56] **References Cited**

**U.S. PATENT DOCUMENTS**

D. 280,906 10/1985 Imada ..... D18/37

D. 286,540 11/1986 Hashimoto ..... D18/42  
D. 298,759 11/1988 Hashimoto et al. .... D18/42  
D. 298,948 12/1988 Ishii et al. .... D18/42  
D. 299,833 2/1989 Hirata ..... D18/42

*Primary Examiner*—Nelson C. Holtje  
*Assistant Examiner*—Caron D. Veynar  
*Attorney, Agent, or Firm*—Oblon, Spivak, McClelland, Maier & Neustadt

[57] **CLAIM**

The ornamental design for document feeder for copying machine, as shown and described.

**DESCRIPTION**

FIG. 1 is a front and top-right perspective view of a document feeder for copying machine showing my new design;  
FIG. 2 is a rear and bottom-left perspective view thereof;  
FIG. 3 is a top plan view thereof;  
FIG. 4 is a front elevational view thereof.

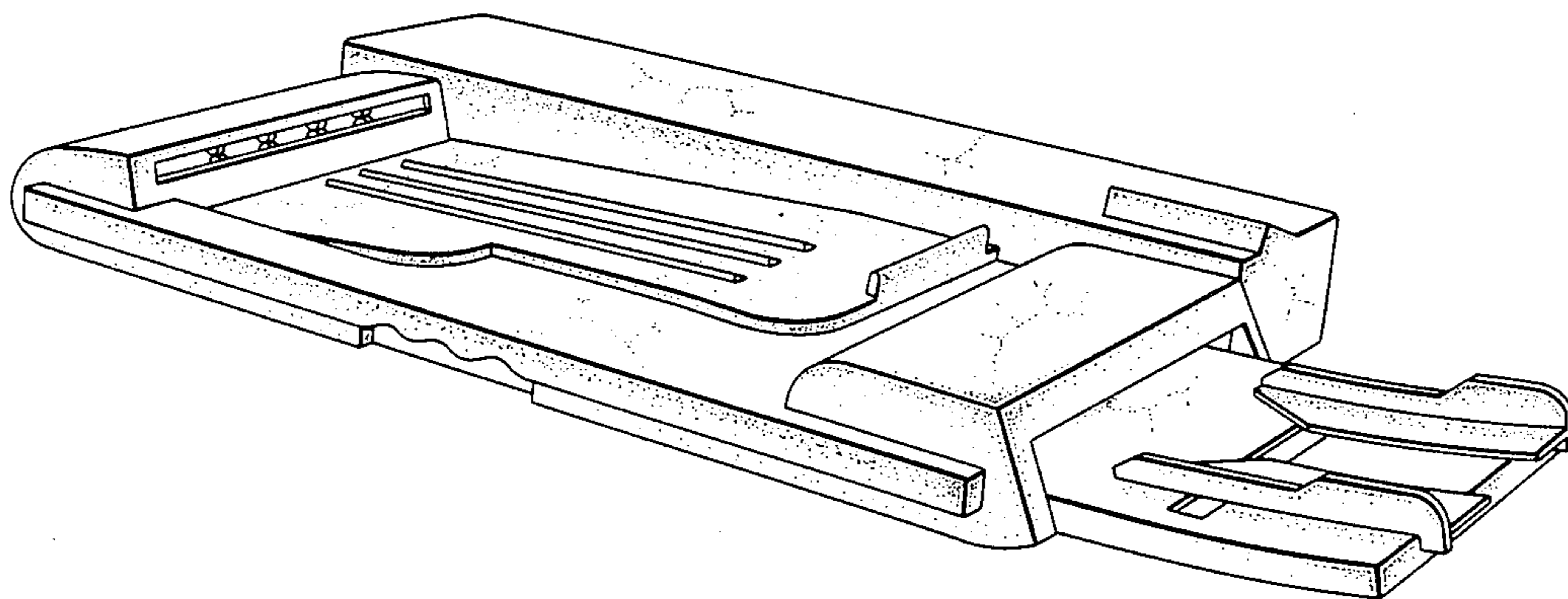


FIG. 1

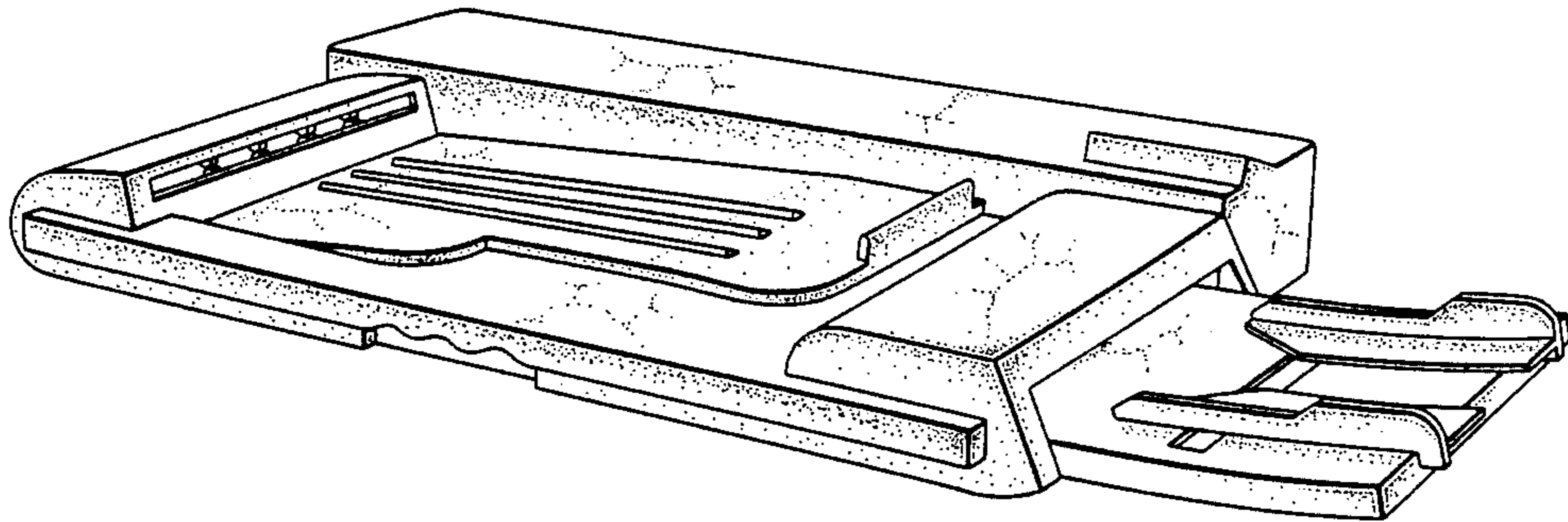
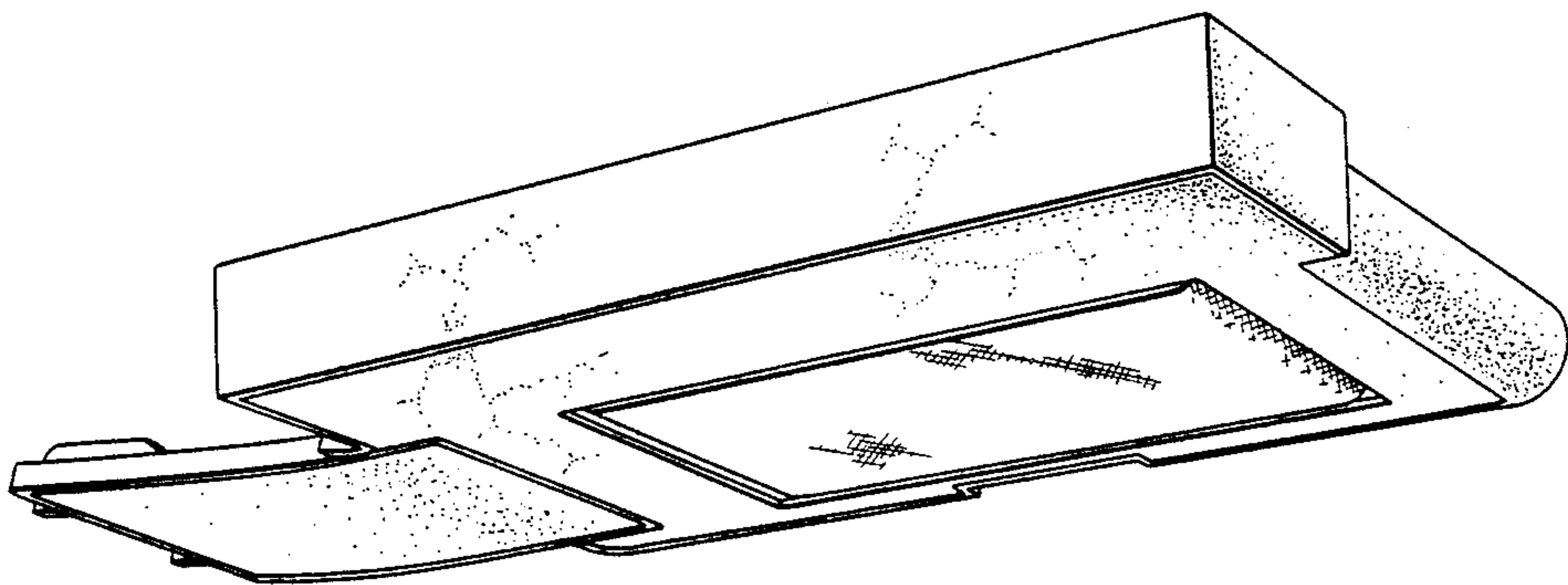


FIG. 2



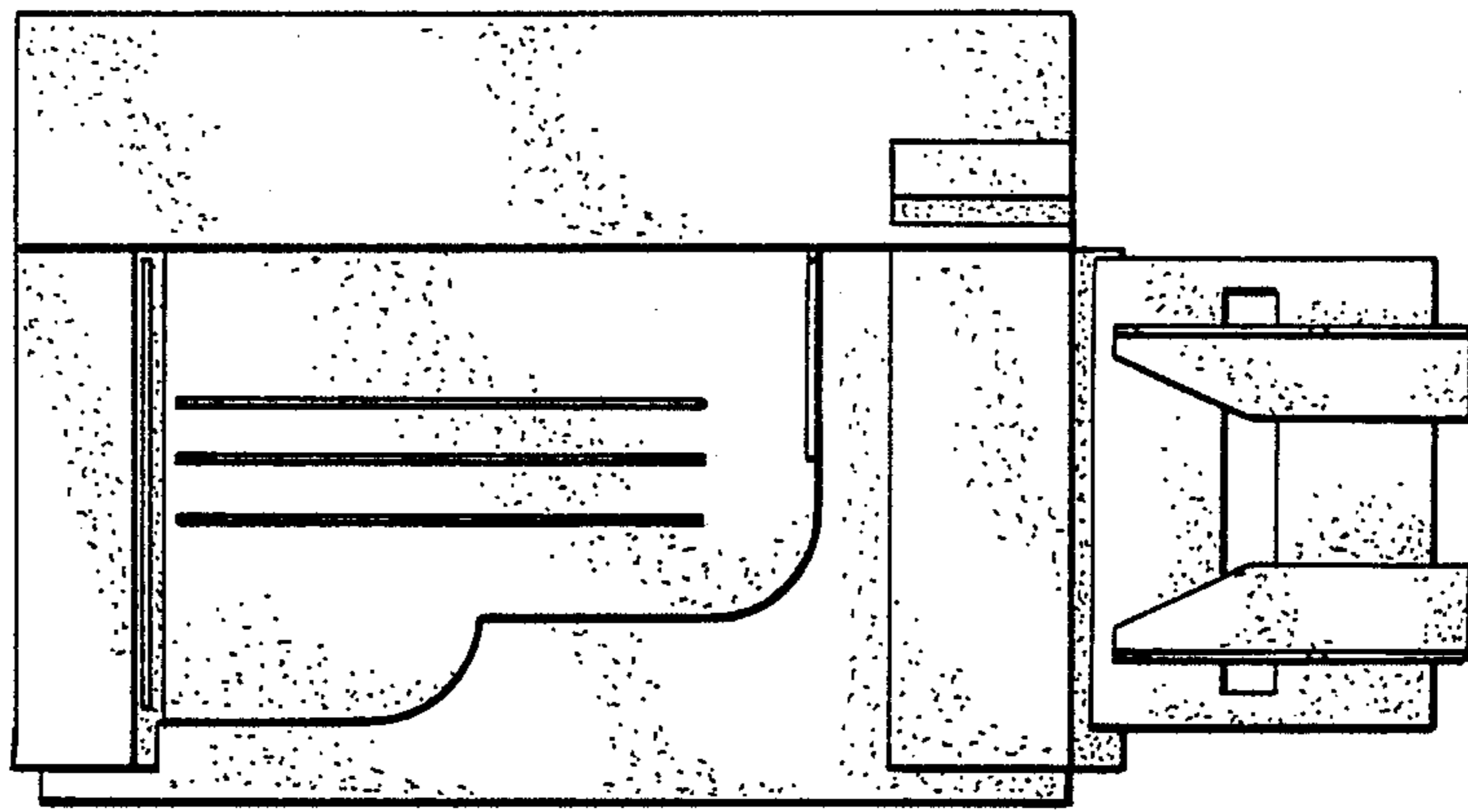


FIG. 3

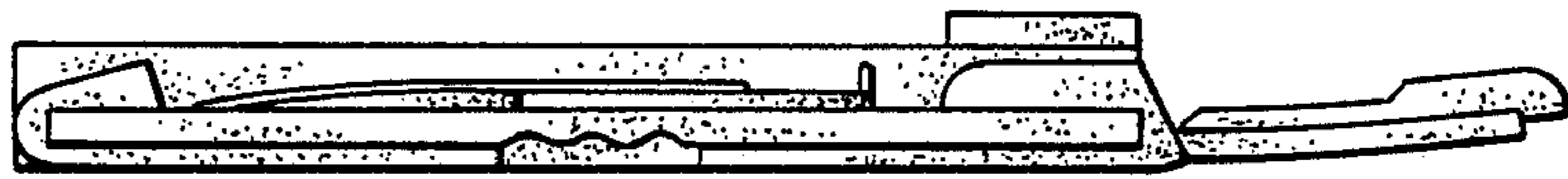


FIG. 4